



HAL
open science

Algorithm Selection and Model Evaluation in Application Design Using Machine Learning

Srikanth Bethu, B. Sankara Babu, K. Madhavi, P. Gopala Krishna

► **To cite this version:**

Srikanth Bethu, B. Sankara Babu, K. Madhavi, P. Gopala Krishna. Algorithm Selection and Model Evaluation in Application Design Using Machine Learning. 2nd International Conference on Machine Learning for Networking (MLN), Dec 2019, Paris, France. pp.175-195, 10.1007/978-3-030-45778-5_12 . hal-03266461

HAL Id: hal-03266461

<https://inria.hal.science/hal-03266461v1>

Submitted on 21 Jun 2021

HAL is a multi-disciplinary open access archive for the deposit and dissemination of scientific research documents, whether they are published or not. The documents may come from teaching and research institutions in France or abroad, or from public or private research centers.

L'archive ouverte pluridisciplinaire **HAL**, est destinée au dépôt et à la diffusion de documents scientifiques de niveau recherche, publiés ou non, émanant des établissements d'enseignement et de recherche français ou étrangers, des laboratoires publics ou privés.



Distributed under a Creative Commons Attribution 4.0 International License

Algorithm Selection and Model Evaluation in Application Design using Machine Learning

Srikanth Bethu¹ B Sankara Babu² K Madhavi³ P Gopala Krishna⁴

^{1,2,3,4} Department of Computer Science and Engineering

^{1,2,3,4} Gokaraju Rangaraju Institute of Engineering and Technology,
JNTU Hyderabad, Telangana, India 500090

¹srikanthbethu@gmail.com, ²bsankarababu81@gmail.com,
³bmadhaviranjan@yahoo.com, ⁴gopalakrishna.aucsse@gmail.com

Abstract. AI has turned into a focal piece of our life – as buyers, clients, and, ideally, as scientists and professionals! Regardless of whether we are applying prescient displaying systems to our examination or business issues, accept we make them thing in like manner: We need to make "great" forecasts! Fitting a model to our preparation information would one say one is a thing, however how would we realize that it sums up well to concealed information? How would we realize that it does not only retain the information we sustained it and neglects to make high forecasts on future examples, tests that it has not seen previously? Additionally, how would we select an appropriate model in any case? Perhaps an alternate learning calculation could be more qualified for the current issue? The right utilization of model assessment, model choice, and calculation choice systems is indispensable in scholarly AI examine just as in numerous mechanical settings. This article audits various systems that can be utilized for every one of these three subtasks and talks about the primary focal points and drawbacks of every method with references to theoretical and observational investigations. Further, suggestions are given to empower best yet plausible practices in research and uses of AI. In this article, we have used applications like Drowsiness detection, Oil price prediction, Election result evaluation as examples to explain algorithm selection and model evaluation.

Keywords: Algorithms, Machine Learning, Performance Evaluation.

1 Introduction

Computer vision [1] is the changing of data from a still or camcorder into either a depiction or another decision. Every such change is associated with achieving a particular target. PC obtains a system of numbers from a camera or the plate, and it is straightforward as that. Ordinarily, there is no worked in model affirmation or modified control of focus and hole, no cross-association with significant lots of inclusion. For the most part, vision structures are still really unsuspecting.

PC based insight/Machine Learning [2] is the predictable assessment of calculations and exact models that PC structures use to play out a particular errand without utilizing express appropriately manages, dependent upon models and thinking. It viewed as a subset of false information. Mimicked insight calculations [3] produce a numerical model of test information, known as "arranging information," to pick wants or choices without being unequivocally adjusted to playing out the undertaking. Hu-

man-made insight estimations utilized in a comprehensive gathering of employments, for example, email confining and PC vision, where it is infeasible to build up a figuring of express precludes for playing the assignment. Computerized reasoning unflinchingly identifies with computational bits of learning, which spotlights on making wants utilizing PCs. The assessment of numerical improvement passes on techniques, theory, and application domains to the field of AI. Information mining is a field of concentrate inside AI and spotlights on exploratory information assessment through execution learning. In its application, crosswise over business issues, AI is also induced as a quick assessment.

Analytics [4] is the disclosure and correspondence of significant models in data. The immense thing to note presently is that examination is a methodology. It is an interdisciplinary methodology that regularly joins number juggling, bits of statistics [5], programming designing, perceptive techniques, data visualization [6], and various fields of study.

1.1 Estimating the performance of Machine Learning model

In any case, we feed the availability information to our learning estimation to get capability with a model. Second, we anticipate the names of our test set. Third, we tally the measure of wrong wants on the test dataset to enroll the model's check accuracy. Subordinate upon our objective, looking over the presentation of a model is not that unimportant, shockingly. Enable us to assemble the primary concerns why we overview the insightful introduction of a model:

- We need to evaluate the hypothesis execution, the intelligent presentation of our model on the future (unpretentious) information.
- We need to produce the farsighted showcase by tweaking the learning calculation and picking the best performing model from a given theory space.
- We need to see the AI check that is most fitting for the present is-sue; along these lines, we need to consider indisputable figuring's, picking the best-performing one in like way as the best performing model from the tally's hypothesis space.

Dismissing the way where these three sub-assignments recorded the above idea for all plans and reason that we need to audit the presentation of a model, they all require various structures. We will talk about a touch of the various systems for managing these sub-tries in this article. Unquestionably, we need to check the future execution of a model as certainly as could be customary pondering the current condition. Notwithstanding, if there is one key to remove a message from this article, it is that uneven execution evaluations are extraordinarily all right in model choice and check choice if the partiality impacts all models reasonably. If we rank various models or mean something negative for one another to pick the best-performing one, we essentially need to know the "relative" execution. For instance, if all our introduction examinations are suspiciously uneven, and we junk their grandstands by 10%, it would not impact the arranging request. Amazingly more solidly, if we have three models with need exactness measures, for example,

L2: 70% > L1: 65% > L3: 60%,

We would look at present position them a comparable path if we incorporate a 10% pessimistic inclination:

L2: 60% > L1: 55% > L3: half.

Startlingly, on the off chance that we report the future want exactness of the best-arranged model (L2) to be 60%, this would be very mistaken. Looking over the total execution of a model is likely one of the most testing assignments in AI.

Let us understand with the following example, how we design and evaluate a model.

1.2 Driver Drowsiness Detection application design and its issues

In this application, we watch the Driver Drowsiness [7] [18] ID, which is a vehicle prosperity development which foresees setbacks when the driver is getting worn out. Various assessments have prescribed that around 20% of all road incidents are exhaustion related, up to half on explicit boulevards. Driver fatigue is an essential factor in a large number of vehicle incidents. Driver carelessness might be the eventual outcome of nonattendance of sharpness when driving in light of driver drowsiness and redirection. In perspective on the getting of video from the camera, that is before the driver performs ceaseless planning of a moving toward video stream to deduce the driver's level of shortcoming in case the drowsiness is evaluated, by then it will give the alert by identifying the eyes.

The main explanation behind this concept was to use the retinal reflection as an approach to managing to find the eyes on the face, and starting their forward, using the nonattendance of this reflection as a framework for perceiving when the eyes closed. Applying the computation on the consecutive video housings may help in the figuring of the eye end period. The eye end period for sluggish drivers is more extended than standard flashing. So we will alert the driver when the eye closed distinguished. Nowadays, a consistently expanding number of reasons for a living require a whole deal obsession. Drivers must watch out for the road so that they can react to unforeseen events right away. Driver exhaustion, much of the time, transforms into a quick purpose behind some vehicle crashes. Therefore, there is a need to develop the structures that will perceive and tell a driver of her/him horrendous psycho-physical condition, which could inside and out reduce the amount of exhaustion related minor collision.

Nevertheless, the progression of such structures experiences various difficulties related to brisk and suitable affirmation of a driver's exhaustion symptoms. One of the specific possible results to complete driver laziness area structures is to use the vision-based system. This article presents the at present used driver drowsiness area structures. The particular pieces of using the vision structure to perceive driver lethargy discussed. A couple of assessments have conveyed various evaluations of the level of absence of rest as it relates to road incidents. Moreover, driver preoccupation or carelessness is another fundamental issue for safe driving.

The algorithm selection and performance evaluation was discussed in the coming chapter in related to machine learning.

1.3 Prediction of Election results application design and its issues

Sentiment Analysis [9][25] seen as a grouping of AI and ordinary language getting ready. It is used to evacuate, see, or portray evaluations from different substance structures, including news, surveys, and articles, and sorts them as positive, fair, and harmful. Estimation assessment has overwhelmingly used in data science for the examination of customer reactions on things and reviews. They are used to appreciate

customer assessments on different kinds of things, friendliness organizations like travel, motel arrangements. It has, in like manner, ended up being not able to research customer tweets – positive, negative, or fair-minded by crawling twitter through APIs. In this application, we will separate examples in the Indian General Election 2019 by utilizing idea examination of Twitter data. The accumulated tweets are analyzed using a word reference-based approach to managing to choose the estimations of the all-inclusive community. We choose the furthest point and subjectivity measures for the accumulated tweets that help in understanding the customer supposition for a particular candidate.

The algorithm selection and performance evaluation was discussed in the coming chapter in related to machine learning.

1.4 Crude oil price detection application design and its issues

Crude oil is the world's driving fuel, and its expenses bigly influence the overall condition, economy similarly as oil examination and abuse works out. Oil Price [10][27] guesses are especially useful to ventures, governments, and individuals. Anyway various procedures have been delivered at predicting oil costs, and it remains one of the most testing assessing issues on account of the high shakiness of oil costs gauging models that foresee future events used in different fields, for instance, budgetary angles and science since they are essential gadgets in essential administration. A perfect guess gives understanding into the implications of an action or inaction and fills in as an estimation to condemn one's ability to affect future events. Appropriately, buyers are in all regards at risk to use more oil and like this increase the carbon spread.

On the other hand, bolstered low oil expenses could incite a drop in overall oil and gas examination, and abuse works out. Fluctuating oil costs furthermore accept a critical activity in the overall economy. The fall in oil expenses would achieve an unassuming lift to worldwide money related development, disregarding the way that the owners of oil parts suffer pay hardships. Progressing assessment from the World Bank exhibits that for each 30% rot of oil costs, the overall GDP (Gross Domestic Product) would extend by 0.5%. At the same time, the drop in oil expenses would lessen the reasonable expense for fundamental things, and in this manner, the development rate would fall.

The algorithm selection and performance evaluation was discussed in the coming chapter in related to machine learning.

2 Literature Survey

Model assessment is a tricky subject. To ensure that we do not wander a lot from within the message, let us make certain suppositions and turn out a touch of the particular terms that we use throughout this article. We shall expect our models are (free and vaguely passed on), which recommends that the total of what tests have been drawn from a relative likelihood of different countries and are autonomous from one another. A situation where tests are not free would work with regular information or time-game-plan information. The issues to be considered for model evaluation are given as Learning and Classification, Prediction accuracy and Loss range 0-1, Variance, Bias.,etc.

2.1 Learning and Classification

Here we will concentrate on supervised learning, one of the categories of AI and Machine learning where our objective characteristics known in our open dataset. Even though different considerations in like way apply to fall away from the faith assessment, we will concentrate on depiction, the endeavor of prominent target names to the models.

2.2 Prediction accuracy and loss range 0 -1 [12]

In the going with the article, we will concentrate on the longing accuracy, which portrayed as the measure of every single right gauge confined by the measure of tests. We register the longing exactness as to the measure of accurate figures detached by the measure of tests n . Or on the other hand in logically formal terms, we depict the longing exactness ACC as

$$ACC = 1 - ERR$$

Where the check blunders ERR is figured as the run of the mill estimation of the 0-1 hardship over n tests in a dataset S :

$$ERR_S = \frac{1}{N} \sum_{i=1}^n L(\hat{Y}_i, Y_i)$$

We will most likely get settled with a model h that has a decent speculation execution. Such a model lifts the figure exactness or, the alternate way, likelihood, $C(h)$ of making an off-center want desire

$$C(h) = P_{r(x,y) \sim D}[h(x) \neq y]$$

Where D is the making course our information has drawn from, x is the part vector of a model with class name y .

2.3 Bias

When we utilize the term propensity in this article, we infer the quantifiable tendency (rather than the inclination in an AI structure). Guideline talking terms, the inclination of an estimator $\hat{\beta}$ is the capability between its collective worth $E[\hat{\beta}]E[\beta]$ and the veritable estimation of a parameter β surveyed.

$$Bias = E[\hat{\beta}] - \beta \quad Bias = E[\hat{\beta}] - \beta$$

In like manner, if $E[\hat{\beta}] - \beta = 0$ $E[\hat{\beta}] - \beta = 0$, by then $\hat{\beta}$ is a reasonable estimator of β . Significantly more solidly, we register the longing inclination as the separation between the commonplace check exactness of our model and the authentic figure accuracy. For instance, on the off chance that we procedure the gauge exactness on the arranging set, this would be an in a perfect world uneven look at of the all accuracy of our model since it would overestimate the absolute precision.

2.4 Variance [14]

The thing that matters is the quantifiable difference in the estimator $\hat{\beta}$ and its ordinary worth $E[\hat{\beta}]$

$$Variance = E([\hat{\beta} - E[\hat{\beta}])^2]$$

The change is a degree of the abnormality of our model's figures on the off chance that we emphasize the learning system on different occasions with little dangers in the course of action set. The touchier the model-building strategy is towards these changes, the higher the capacity. Finally, let us disambiguate the terms model, theory, classifier, learning figuring, and parameters:

- Target work: In sagacious appearing, we are ordinarily amped okay with demonstrating a particular method; we have to learn or surveyed a specific,

un-known purpose of imprisonment. Beyond what many would consider possible $f(x)=y$ is quite far $f(\cdot)$ that we have to appear.

- Hypothesis: A theory is a specific work that we perceive (or trust) resembles beyond what many would consider possible; the target farthest arrives at that we have to store neatly. In the setting of spam gathering, it would be a portrayal pick we thought of that enables us to separate spam from non-spam messages.
- Model: In the AI field, the terms theory and model are a critical piece of the time used comparatively. In various sciences, they can have different implications: A hypothesis could be the "educated supposition" by the inspector, and the model would be the closeness of this theory to test this hypothesis.
- Learning figuring [15]: Again, we will probably find or assessed quite far, and the learning estimation is an enormous measure of heading that attempts to show beyond what many would consider possible using our game-plan data. A learning count goes with a theory space; the methodology of potential speculations it examines to show the dull target purpose of control by portraying the last theory.
- Classifier [16]: A classifier is an outstanding occasion of a theory (nowadays, usually learned by an AI computation). A classifier is a hypothesis or discrete-regarded limit that used to dole out (prominent) class names to standard particular data centers. In an email portrayal model, this classifier could be a hypothesis for checking messages as spam or non-spam. Be that as it may, a theory must not so much be synonymous with the term classifier. In another application, our hypothesis could be a limit with regards to mapping concentrate time and informational establishments of understudies to their future, relentless regarded, SAT scores – a steady target variable, proper for backsliding examination.
- Hyperparameters [17]: Hyperparameters are the tuning parameters of an AI figuring — for instance, the regularization idea of an L2 discipline in the mean squared blunder cost utmost of straight fall away from the faith, or inspiration for setting the best newsworthiness of a choice tree. Strikingly, model parameters are the parameters that a learning estimation fits the arranging information – the parameters of the model itself. For instance, the weight coefficients (or tendency) of a straight fall away from the faith line and its tendency (or y-focus get) term are model parameters.

Let us understand with the mentioned applications in the previous chapter, knowing and understanding about how evaluation of a model and algorithm selection was done.

2.5 Related work on Driver drowsiness detection application

In June 2010, Bin Yang et al. [18] depicted 'Camera-based Drowsiness Reference for Driver State Classification under Real Driving Conditions.' They proposed that degrees of the driver's eyes can see aloofness under test structure or underlying conditions. The display of the most recent eye following composed in-vehicle consumption figure measures assessed. These measures are surveyed indeed and by a get-together method subject to a massive dataset of 90 hours of confirmed street drives. The outcomes show that eye-following tiredness unmistakable affirmation limit tolerably for

express drivers as long as the squints presentation works fittingly. Purpose of reality, even with some proposed upgrades, regardless, there so far issues with repulsive light conditions and for people wearing glasses. As an arrangement, the camera-based languor evaluations give a significant responsibility to an absence of consideration reference, at any rate, are not satisfactorily prepared to be the standard reference.

In 2013, G. Kong et al. [29] portrayed 'Visual Analysis of Eye State and Head Pose for Driver Alertness Monitoring.' They demonstrated visual appraisal of eye state and head present (HP) for stable seeing of sharpness of a vehicle driver. Most existing approaches to manage admin visual presentation of non-planned driving models depend either on eye end or head motioning edges to pick the driver's tiredness or redirection level. The proposed course of action utilizes visual highlights, for example, eye list (EI), understudy progress (PA), and HP to confine necessary data on the sharpness of a vehicle driver. A help vector machine (SVM) orders a get-together of video portions into alarm or non-sorted out driving occasions. Exploratory outcomes demonstrate that the virtuoso showed that blueprint offers high demand accuracy with acceptably low astounds and false cautions with individuals of different ethnicity and sexual bearing in generous street driving conditions.

In June 2014, Eyosiyas et al. [20] spread out 'Driver Drowsiness Detection through HMM based Dynamic Modeling'. They proposed another procedure for confining the outward appearance of the driver through the Hidden Markov Model (HMM) based outstanding appearing to see laziness. They have executed the check utilizing a kept driving course of action. Exploratory outcomes checked the sensibility of the proposed technique.

From the above survey, we have understood that the methods that were proposed by the researchers are not enough to produce accurate results and needs to be proposed more advanced models. The model evaluation and algorithm selection validated based on the accuracy parameters like bias and variance. And also, from the above observations, we found that SVM algorithm is not enough to generate more results in different occasions. So, we have proposed new models to solve this problem and it is discussed in next chapter.

2.6 Related work on Crude Oil Price detection application

Since the oil worth time approach is a nonlinear long-memory strategy, it is a respectable likelihood for utilization of near to estimation structures. Notwithstanding, no assessment in this subject has found in the oil worth choosing the structure. Researchers utilize particular strategies to discover near to neighborhoods in these frameworks, yet k-means and SOM are the most usually utilized packaging techniques around there. In some way, we will pack imitated state space of oil worth time game-plan utilizing the k-induces gathering technique.

In sorting out neural structure plans, there are two or three components, for example, number of layers, number of neurons in each layer, and move limits, which impact shrewd impact the presentation of neural systems. These parts are generally picked utilizing the awkward and troubling method of experimentation with no legitimize. Hereditary estimation (GA) [26] is an astonishing methodology in this setting because of its capacity to look into a large area of plan space and experience promising zones through acquired endeavors. GA was explicitly not utilized in the oil regard measuring with ANN (to the degree we could know).

From the above survey, we have understood that the methods that were proposed by the researchers are K-means and SOM are not enough to produce accurate results and needs to be proposed more advanced models. So, we have proposed new models to solve this problem and it is discussed in next chapter.

3 Algorithm Selection and Model Evaluation

In this chapter, we have discussed the pitfalls of the existing methods and procedures that were used to improve accuracy in the previous chapter are highlighted. From the previous chapter, the model evaluation and algorithm selection validated based on the accuracy parameters like Learning and Classification, Prediction accuracy and Loss range 0-1, Variance, Bias.,etc. are not enough to generate accurate results, so here we have separately discussed and proposed new parameters in improvement of algorithm selection and model evaluation. And also, the existing algorithms are not enough and needs to be improved, so here we also highlighted how algorithm selection is chosen for the discussed applications.

Model Selection concerning AI can have different ramifications, contrasting with different degrees of reflection. Hyperparameters are the parameters of the learning procedure, which we have to decide from the prior, i.e., before model fitting. Alternately, model parameters cannot avoid being parameters that rise in light of the fit. In a determined backslide model, for example, the regularization quality (similarly as the regularization type, accepting any) is a hyperparameter that must be resolved before the fitting, while the coefficients of the fitted model cannot avoid being model parameters. Finding the hyper benefit parameters for a model can be necessary for the model execution on the given data. For something different, we ought to pick the best learning procedure (and their corresponding "perfect" hyperparameters) from a great deal of qualified AI systems. In going with, we will insinuate this as a computation decision. With a gathering issue near to, we may contemplate, for instance, paying little respect to whether a determined backslide model or a random forest classifier yields the best course of action execution on the given task.

Model appraisal targets assessing the theory slip-up of the picked model, i.e., how well they picked model performs on unnoticeable data. An incredible AI model is a model that not performs merely well on data seen during getting ready (else an AI model could recall the readiness data), yet furthermore, on unnoticeable data. Accordingly, before conveyance a model to age, we should be genuinely sure that the model's introduction will not degenerate when it looked with new data.

A last articulation of alarm: when overseeing time plan data where the endeavor is to make gauges, train, endorsement, and test sets must pick by separating the data along with the transient turn. That is, the "most prepared" data used for setting up, the later one for endorsement, and the most recent one for testing. Unpredictable examining does not look right for this circumstance.

Starting at now, the holdout system and various sorts of the bootstrap contemplated checking the speculation execution of our watchful models. We split the dataset into two zones: preparing and a test dataset. After the AI calculation fit a model to the organizing set, we investigated it on oneself decision test set that we hold from the AI figuring during model fitting. While we were talking about issues, for example, the inclination change exchange off, we utilized fixed hyperparameter settings in our

learning checks, the extent of k in the k -closest neighbors' estimation [27]. We depicted hyperparameters as the parameters of the getting figuring itself, which we need to show up from the earlier – before model fitting. Remarkably, we inferred the parameters of our following model as the model parameters.

Over the long haul, the k -closest neighbors' estimation may not be a perfect decision for advancement dressing the capability between hyperparameters and model parameters, since it is a sleepy understudy and a nonparametric structure. In this stand-separated condition, disengaged learning (or case-based getting) amasses that there is no blueprint or model fitting stage: A k -closest neighbor's model genuinely stores or holds the engineering information and utilizations it precisely at need time. Everything considered every course of action occasion watches out for a parameter in the k -closest neighbors' model. Primarily, nonparametric models cannot avoid being models that cannot be depicted by a fixed number of parameters that changed according to the game plan set. The strategy information doesn't pick the structure of parametric models as opposed to being set from the as of now; non parametric models don't expect that the information looks for after certain likelihood transports not in the humblest degree like parametric techniques (exceptional cases of nonparametric frameworks that make such suppositions are Bayesian nonparametric systems). In like manner, we may express those nonparametric systems to make fewer questions about the information than parametric structures.

Instead of k -closest neighbors, a reasonable occasion of a parametric framework is settled fall away from the certainty, a summed up direct model with a fixed number of model parameters: a weight coefficient for each part factor in the dataset despite an inclination unit. These weight coefficients in decided fall away from the faith, the model parameters, are fortified by extending a log-probability work or confining the critical expense. For fitting a model to the preparation information, a hyperparameter of a decided apostatize calculation could be the measure of cycles or rejects the course of action set (ages) in propensity based streamlining. Another cause of a hyperparameter would be the estimation of a regularization parameter; for example, the lambda-term in L2-regularized decided to lose the faith. Changing the hyperparameter respects when running learning analyze over a game-plan set may appreciate various models. The way toward finding the best-performing model from many models that were made by various hyperparameter settings is called model attestation. The going with a zone changes a progression with the holdout structure that is helpful when completing this attestation method.

The open portal has gotten together to demonstrate the most traditional procedure for model assessment and model attestation in AI practice: k -overlay cross-ensuring. The term cross-support is utilized uninhibitedly recorded as a printed copy, where specialists and examiners a part of the time understanding the train/test holdout structure as a cross-ensuring strategy. Regardless, it may look unbelievable to consider the cross of organizing and support shapes in new rounds. Here, the central thought behind cross-support is that each model in our dataset finds the chance of being endeavored. K -overlay cross-support is an unusual case of research a dataset set k times. In each round, we split the dataset into k parts: one piece utilized for understructure, and the rest of the $k - 1$ piece is joined into a sorting out subset for model examination.

For hyperparameter assurance, we can use K -cover cross-endorsement (CV) [14]. Cross-endorsement fills in as seeks after:

- We split the arrangement set into K humbler sets. Note that the cautions as for imbalanced data in like manner apply here.
- We set aside all of the K overlays one time. We train the equal number of models from there are different mixes of hyper model parameters on the remainder of the $K-1$ cover and figure the endorsement score on the hold- out overlay.
- For every game plan of hyperparameters, we process the mean endorsement score and select the hyperparameter set with the best execution on the hold-out endorsement sets. Then again, we can apply the "one-standard-screw up guideline" [2], which suggests that we pick the most miserly model (the model with least multifaceted nature) whose show is not more than a standard misstep underneath the best performing model.

For count assurance, we need an undeniable, unpredictable method. Here, settled cross-endorsement [16] acts the legend and fills in as seeks after:

- We split the data into K more diminutive sets (outer cover).
- Each of the K folds we set aside one time. For each learning strategy, we by then perform K' - overlay CV (following the framework above) on the $K-1$ remaining folds, in which we do we do hyperparameter assurance. For terseness, one de-notes settled CV with K outer folds and K' inner overlays as $K \times K'$'s settled CV. Typical characteristics of $K \times K'$ are 5×2 or 5×3 .
- We use the best hyperparameter set for each estimation to evaluate its endorsement score on the holdout cover.
- Then we figure the mean endorsement score (similarly as standard deviation) over the K cover and select the best performing count.

Subsequent, we pick the best hyperparameter set reliant on CV using the full planning set and check the hypothesis mix-up using the test set. At last, we retrain the model using the united data of getting ready and test set.

4 Implementation of Application Design

In this chapter we have discussed about how the model evaluation is designed for any application using machine learning algorithms, and how algorithm selection has done. Here we also suggested proposed models based on the evaluation factors of any algorithm.

4.1 Driver drowsiness detection application

Face Tracking Searching for Face in each edge in each scale grows the multifaceted computational nature. The persistent presentation of the count can realize if we use the transient information. If the position and size of the Face are known accurately at an edge, then we can pick ROI around that position where we can find the Face in coming about the diagram. The multifaceted computational nature is less since the chase zone lessened. The utilization of SVM computation [20] is used for Face following. Track the Face of the driver. Make a copy of the concentrations used for handling and discovering the ROI of the geometric. Change between the concentrations before and the present housings separately to customer advancement. Get the accompanying Frame in the video gathering. Track the concentrations in the ROI. Check the geometric change between the old concentrations and the new concentrations and shed individual cases using direct translation. (Least Four Frames are required to fig-

ure). Show pursued core interests. Reset the concentrations and demonstrate the clarified edge using an android application.

At the point when the Face is restricted, the ensuing stage is to recognize the circumstance of the eye. Henceforth the eye distinguished is orchestrated to open or close. The recognizable proof of eye in the face territory modeled as a thing acknowledgment issue. This classifier set up together eye disclosure as for interesting gained camera plot. One customer described classifiers for the open eye, and shut-eye used in this recognizable proof technique. The classifier for open and close is set up with a database of positive and negative pictures are considered. The ROI decision made, and the area of the eye performed in the restricted region. Picking the territory of interest reduces the computational requirements of the issue. This ROI contains eyes. In the occasion that the eye is distinguished, and no squint occurs, by then the counter is set to 0. If the gleam is perceived, then the counter is expanded, and it demonstrates the prepared driver perceiving languid, and an alarm gets sounded. As opposed to using any computation to perceive yawning, the here essential basis used. At the point when Face distinguishing proof has done, mouth district picture altered from Face perceived picture. After that, one cloak picture prepared, and it covers the mouth zone of altered pictures. A shroud picture is just a white picture containing all of the ones and having the same size of mouth and area cut picture. After that, the farthest point of pixel spots of mouth zone in the cover picture found. By then, apply edge framework (for Male set the edge a motivating force as 250 and Females set the motivator as 10). Finally, count the hard and fast no of the square pixel if the check is more conspicuous than breaking point means yawn perceived.

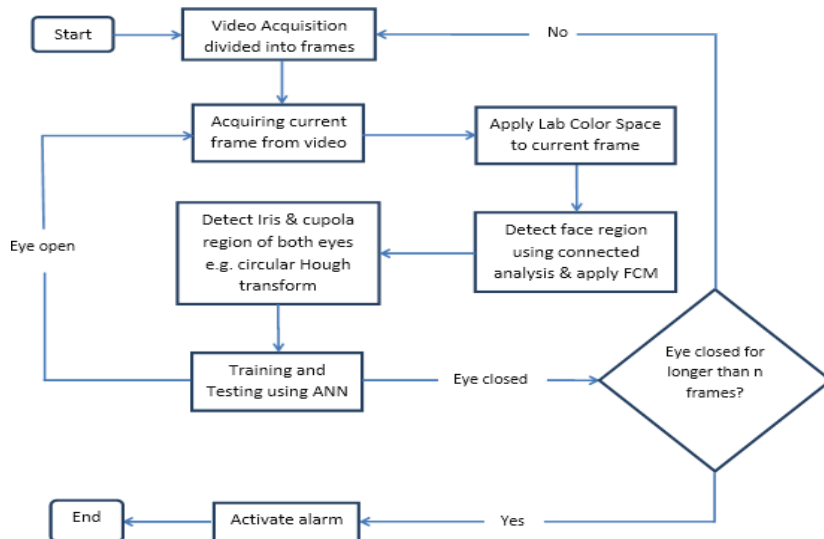


Fig.1. Driver drowsiness detection proposed architecture.

The above Fig.1 shows the proposed architecture of driver drowsiness application. Here, the architecture shows the model evaluation and algorithm selection using ma-

chine learning concepts. The procedure used to design application is termed as a model evaluation and calculation of results is termed as a algorithm selection.

4.2 Crude Oil price prediction application

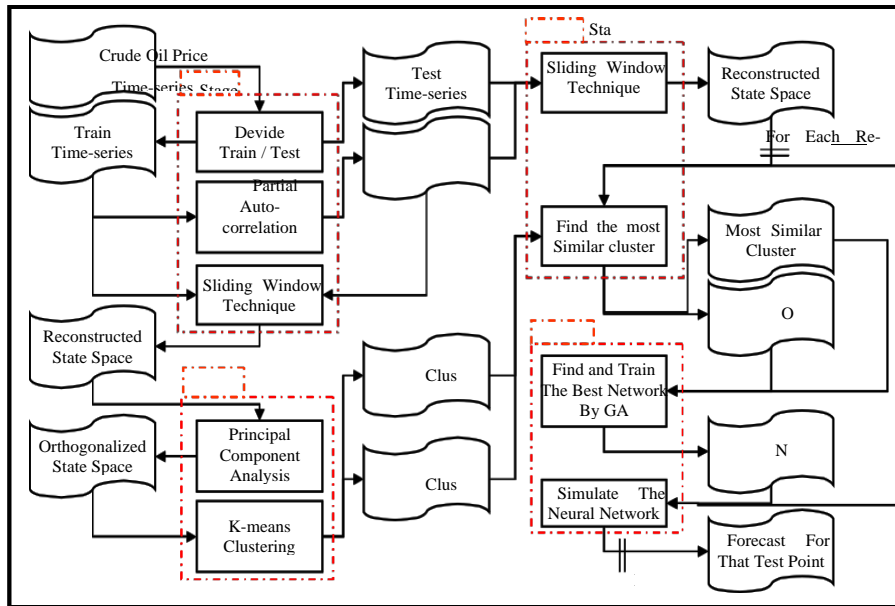


Fig.2. Crude oil price prediction proposed architecture.

In The above Fig.2, we have shown how the algorithm selection and model evaluation are done using machine learning. The architecture of the crude oil price prediction also shows the proposed procedure to gain accurate results using machine learning. Here K-means algorithm used as a selection algorithm.

The proposed model fuses four rule stages: information arrangement, crushing, structure engineering, and ANN plan, and checking. The rule stage readies the time plan of the particular oil cost to be utilized in different stages. It wires information division, accreditation of jeans, and state-space redirection of each piece as per saw several pairs of jeans. Each point in the train/test state space is a train/test plan. The ensuing stage sees arranging structures as information, orthogonalizes the space, and after that packs it. Each pack is a social gathering of close to models. The third stage makes each test manual for the closest assembling. At long last in the fourth master-mind, an ANN for every party is made, and the test models made to each pack are endeavored the varying ANNs to figure checks. The going with subparts clarifies these phases in detail.

Information arranging done as in the significant stage, foul oil worth time - approach is considered. A touch of this time strategy is spared something for testing purposes while the rest will be utilizing as a planning set. After the division of the dataset, the Partial Autocorrelation Function (PACF) of the arranging time procedure

is desperate down with a 5% criticalness level to locate the most senseless number of jeans (L) to be joined as a guarantee to ANN model. Right, when L depicted as a sliding window of size, L+1 is utilized to mirror the state space from sorting out (and later simultaneously, testing) time strategy of foul oil cost. Imitated state space of the engineering time methodology focuses taking after clear worth pat-terns (on an exceptionally essential level, preparing structures) while changed state space of the test time procedure focuses looking like test worth structures (which their first L estimations will be utilized in ANN to predict their targets – future costs).

4.3 Election results prediction application

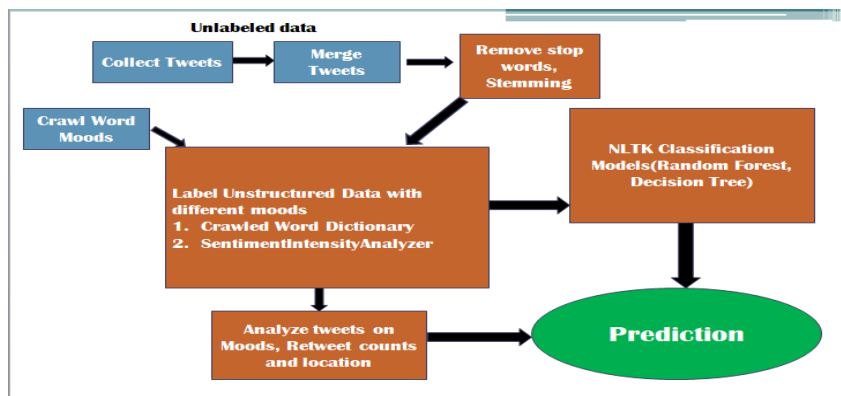


Fig.3. Election results prediction proposed architecture.

The above Fig.3 shows the proposed architecture of Election results application using sentimental analysis process. The classification models are suggested to predict the results, and also evaluation procedure is given by connecting with each other.

The precision of an estimation examination system is, on an intermediate level, how well it agrees with human choices. It is by and large evaluated by variety gauges subject to precision and survey over the two target classes of negative and positive compositions. In any case, as demonstrated by human research, raters usually agree about 80% of the time (see Inter-rater unflinching quality). Along these lines, a program which achieves 70% precision in orchestrating supposition is doing practically similarly as individuals, regardless of the way that such accuracy may not sound incredible. If a program were "right" 100% of the time, individuals would regardless not resist repudiating it about 20% of the time, since they vary that much about any answer.

On the other hand, PC structures will make through and through unexpected bangles in comparison to human assessors, and like this, the figures are less indistinguishable. For instance, a computer structure will encounter trouble with refutations, distortions, jokes, or jokes, which customarily is not hard to manage for a human pursuer: a couple of goofs a PC system makes will seem, by all accounts, to be unnecessarily blameless to a human. The utility for practical business tasks of end assessment as it described in academic research has been raised uncertainty about, generally since the essential one-dimensional model of an idea from contrary to positive

yields rather negligible noteworthy information for a client worrying over the effect of open chat on for instance brand or corporate reputation.

5 Results and Discussion

In this chapter we have discussed about results generation using the machine learning methods. The data set is taken from koggle.com and applied on our experimental setup using OpenCV and Python. All the data sets are tested using the proposed architectures of each application to test the machine learning algorithms. The algorithms are proposed based on the pitfalls that were discussed in Literature Survey chapter.



Fig.4. Extraction of EAR and MAR values using ANN

The above Fig.4 shows the EAR and MAR values. When the person's eyes are closed, EAR value counted, and when the person yawns, MAR value is counted. The above figure also shows EAR and MARS values when the eyes and mouth of a person are closed. In the above figure, we can also observe the alert message is generated when eyes are closed. Use of tiredness territory with SVM was done, which breakers the going with advances: Successful runtime getting of video with the camera. The gotten video was divided edges, and each edge was inspected. The fruitful revelation of the face looked for after by conspicuous confirmation of eye. On the off chance that completion of an eye for dynamic edges was perceived, by then it is assigned tired condition else it is viewed as a normal glimmer, and the drift of getting a picture and dissecting the condition of the driver is done over and over. In this utilization,

during the drowsy express, the eye is not wrapped by a circle, or it is not recognized, and a relating message appears. If the driver is not torpid, by then, the eye is perceived by a circle, and it prints 1 for each convincing zone of the open eye.

This way, we have arranged a model apathy disclosure system using OpenCV programming and arranged classifiers. The structure so made was viably attempted, its hindrances perceived, and a future approach made. Driver Drowsiness Detection was attempted to empower a driver to stay attentive while driving in order to diminish car accidents realized by the languor. This paper was stressed by overtired drivers and their capacity to cause car crashes. The driver exhaustion [24] recognizable proof system registers drowsiness level from the driver using a mix of OpenCV and Camera. OpenCV is an item to figure whether a driver is drowsy. At the same time, it recoups pictures from the camera, which is fast enough to perceive a driver's features logically. The system uses open source programming called an OpenCV picture getting ready libraries; the gets pictures are dealt with in this. Raspberry pi and open cv make the overall system to a simplicity drowsiness disclosure structure.

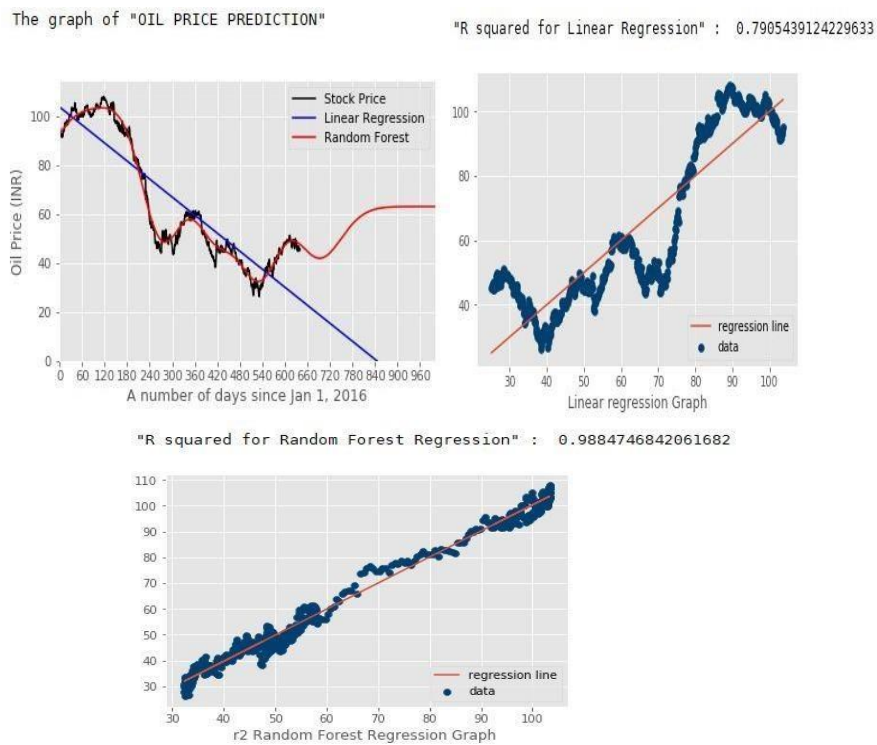


Fig.5. Oil price prediction graph

From the above Fig.5. The costs, when foreseen using Linear Regression [25], predicted characteristics are differentiated and actual costs, it is found that 79 % exactness results. Right when expenses are foreseen using Random Forest Regression and

differentiated and genuine expenses in the dataset, the accuracy was 98.8 %results are showed up with the help of r squared worth.

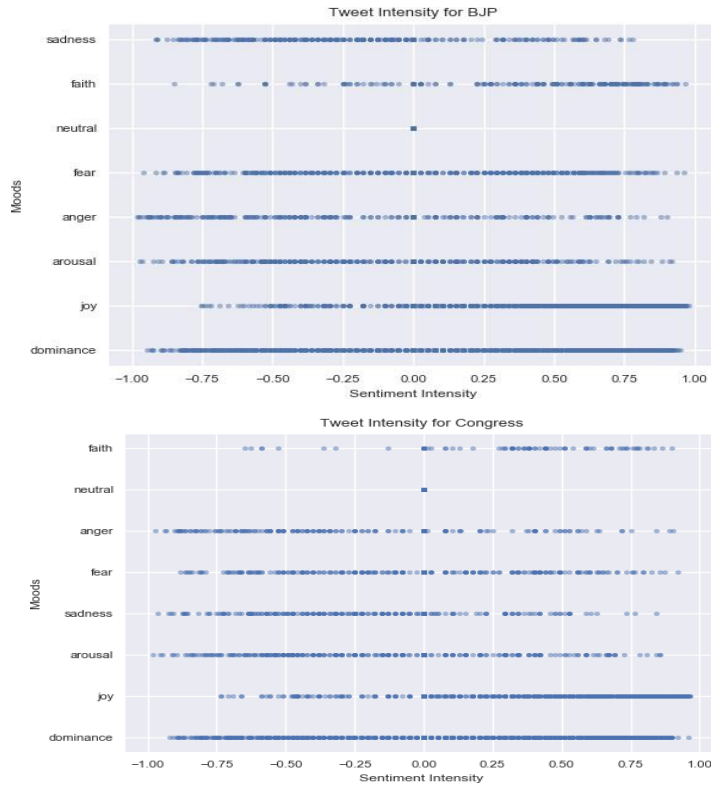


Fig.6 . Arranging of two national parties votes using sentimental analysis

The above Fig.6 shows the arrangement of two national parties votes using sentimental analysis. The data is taken from koggle.com and implemented using OpenCV.

From the underneath Fig.6.All tweets [26] vary in power from - 1 to +1. As the underneath figures show strong definite suspicions like "Fulfillment" and "Certainty" incline progressively 0 to +1 for both BJP and Congress, while negative emotions like "Shock" and "Issue" incline more between - 1 to 0. "Fair-minded" incline is focused on zero. Evaluations like "Fervor" and "Quality" are appropriated correspondingly between - 1 to +1, which indicates they can be either tweeted in a constructive or adverse character. They seek after ing above figure outlines tweet that has a spot with both BJP and Congress. "Dominance" is as seen as the overwhelming perspective.

From the below Fig.7, we have observed that Decision Tree classifiers are used to generate winning prediction graph, and each sentiment is calculated to decide the favorable party at particular location. Based on the every sentiment prediction score the winner is declared. The same theory is applied in recent elections also that are held during in the month of March in India, and tasted good results.

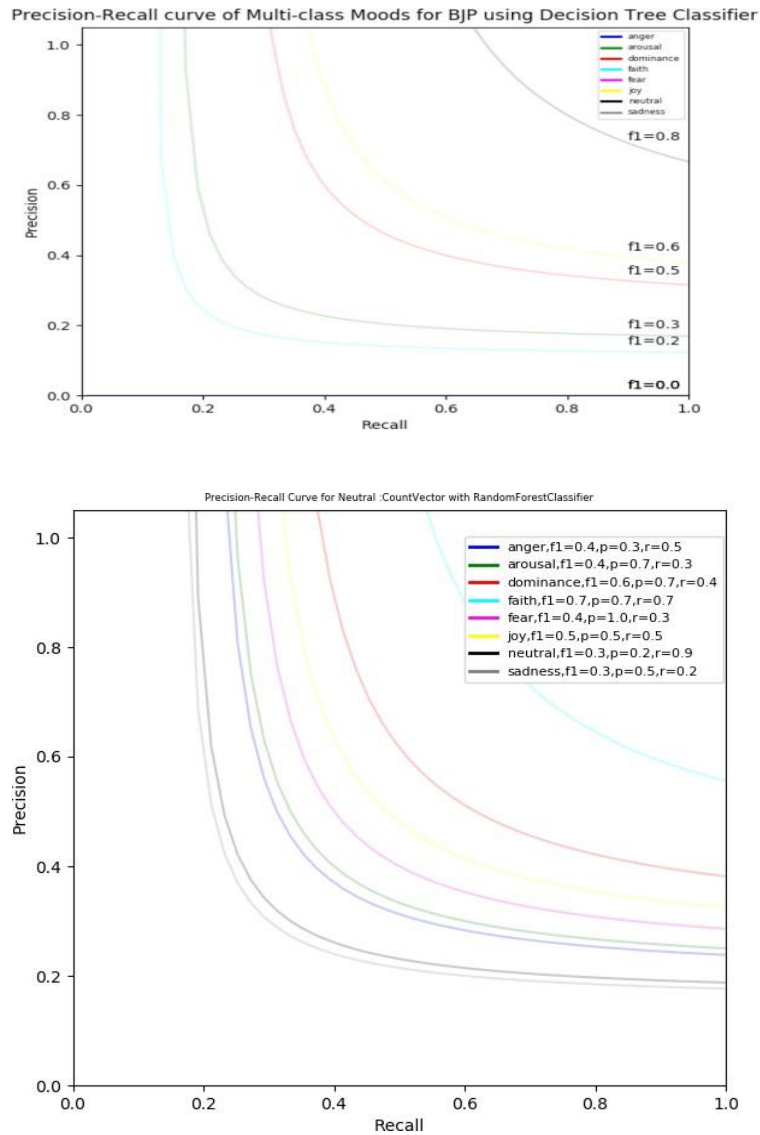


Fig.7. Winning prediction graph generation using Decision Tree algorithm

From the above Fig.7.A test tweet including the two get-togethers: "close fight in. The differentiation among BJP and Congress, not many seats," clearly shows close and firm challenge between the two. Decision tree classifier is settled on out of decision centers and leaf center points, where the decision of endorsing part regards and

settling on branches are allotted to decision center points, while imprints named to leaf center points. Decision trees [27] create by picking the best decision stumps of most astonishing precision during the request process. Leaf center points with screw up underneath palatable edge are re-put by new decision stumps on a subset of getting ready data that stays away from the route from the establishment of the subtree to the leaf. The best decision stump can be picked by enlisting the information increment or the entropy of the structure. Deductively, entropy is described as the total of the probability [29] of each imprint times the log probability of that identical name. As the perspectives contain imbalanced classes, the model execution is plotted using a precision survey twist. Separating the gauge models [30] of BJP and Congress, it is seen that model precision (exactness, audit, and F-Score) of Congress out-performs BJP by an enormous edge (over 45%).

So, using the application design, we can clearly understand that model evaluation and algorithm selection will be varied based on the proposed methodology. In this article we have observed all the pitfalls from the Literature survey and searched the most accurate algorithms. We have applied machine learning concepts to predict good results. Finally we found Decision Tree Classifier, Random Forest and Regression algorithms are having more accuracy than the existing algorithms like SVM, K-Means and KNN which are discussed in previous chapter. Finally we suggest these machine learning algorithms to predict more results for any type of applications.

6 Conclusion

In every practical sense, regardless, I would in a perfect world prescribe repeating the arrangement test split on different occasions to enlist the confirmation interim on the mean measure (i.e., averaging the individual runs). Regardless, one fascinating clear for the present is that having fewer models in the test set develops the qualification and consequently builds up the conviction between times.

Past assessments have proposed different strategies to recognize drowsiness. In the wake of doing composing study, different frameworks have been found for perceiving driver tiredness, and they use different sorts of data as a commitment for their computation. After the outline of different sorts of strategies, it is found that using a camera is the best system that can be adequately associated and reasonable in all conditions. We researched this procedure for PC vision and proposed an excellent technique to distinguish driver laziness reliant on perceiving eyelid closing and opening using counterfeit neural frameworks as gathering figuring. In this paper, First of all, the video housings are picked up from the camera, which could be fixed with the goal that it should not ruin the road - point of view on the driver.

From the Experiment results, we found that the data requires logically real cleaning and mix (emojis). An inexorably definite classifier is furthermore well inside the space of credibility, to the extent neural frameworks which could amass the attitudes fittingly. A sensible and fitting desire was beyond the realm of imagination as the data is exceptionally rough, and we required a whole managed dataset with stamped data. As the data is taken mostly from twitter so it could not get the commonplace section of the masses, which is noteworthy. Regardless of the way that evaluations look positive for BJP, we cannot wrap up only reliant on Twitter assessment.

Given up the making examined until this point, various issues can be perceived. In any case, the information utilized in the wants are generally drawn from the WTI cost of Brent cost, and they do not consider different data sources adjusted to the market. The capricious of the foul oil worth market is a result of the dependence of the market on different parts. Ousting these parts in foreseeing the market can restrain the authenticity of a guess instrument, protecting it from being cautious. A model with exceptional figure results shows staggering interconnections among data sources and the yield, which recommends the condition of reliance. Expansion partner examines that weight the insecurity some segment of the market areas of not long ago constrained. The mind-boggling part has concentrated on the value side of the measure as opposed to the sections that caused the upgrades. Among other standard effect segments utilized in the raw petroleum, want models are sales and supply. Despite the way that oil solicitation and supply expect essential employments in the precariousness of the worth, the use of these recognitions obliges the ability of various elements, for instance, input data, achieving a model not being thorough.

By including and partner the key segments included, an inexorably sweeping figure of the market can be cultivated. Third, most of the investigation thought about has utilized the time-course of action data. Data preprocessing and data depiction methodology were absent in most by far of the assessment. These two strategies help to clean and decrease bustles in instructive collections and organize them in the party the arrangement of want, and, later, this assistance to convey cautious outcomes. Without these techniques, the craving instrument will be less reliable. Fourth, breaks down have shown that anticipating the costs' models is more celebrated than imagining the discrete worth itself. The discrete worth will make research logically captivating and wise for specialists despite how the reasonableness of the assessments drove, starting quite recently, is up to this point broken — this framework the models discussed in this part with the data used for the figures.

References

1. Alpaydin, E. Combined 5x2cv F test for comparing supervised classification learning algorithms. *Neural Computation*, 11(8):1885–1892.
2. Bengio, Y. and Grandvalet, Y. No unbiased estimator of the variance of k-fold cross-validation. *Journal of Machine Learning Research*, 5(Sep):1089–1105.
3. Bonferroni, C.. *Teoria statistica delle classi e calcolo delle probabilita*. Pubblicazioni del R Istituto Superiore di Scienze Economiche e Commerciali di Firenze, 8:3–62.
4. Breiman, L., Friedman, J., Stone, C. J., and Olshen, R. A. (2004). *Classification and regression trees*. CRC press.
5. Cochran, W. G. The comparison of percentages in matched samples. *Biometrika*, 37(3/4):256–266.
6. C. R. Jung and C. R. Kleber, "A lane departure warning system based on a linear–parabolic lane model," in *Proc. IEEE Intell. Veh. Symp.*, 2004, pp. 891–895.
7. Dietterich, T. G. (2008). Approximate statistical tests for comparing supervised classification learning algorithms. *Neural computation*, 10(7):1895–1923.
8. Dunn, O. J.. Multiple comparisons among means. *Journal of the American statistical association*, 56(293):52–64.
9. Efron, B., and Tibshirani, R.J.. *An introduction to the bootstrap*. CRC press.
10. Edwards, A. L. Note on the "correction for continuity" in testing the significance of the difference between correlated proportions. *Psychometrika*, 13(3):185–187.

11. Efron, B. Nonparametric standard errors and confidence intervals. *Canadian Journal of Statistics*, 9(2):139–158.
12. Efron, B. Estimating the error rate of a prediction rule: improvement on cross-validation. *Journal of the American Statistical Association*, 78(382):316–331.
13. Efron, B.. Bootstrap methods: another look at the Jackknife. In *Breakthroughs in Statistics*, pages 569–593. Springer.
14. Efron, B., and Tibshirani, R. Improvements on cross-validation: the .632+ bootstrap method. *Journal of the American Statistical Association*, 92(438):548–560.
15. Efron, B., and Tibshirani, R. J. *An Introduction to the Bootstrap*. CRC press.
16. Fleiss, J. L., Levin, B., and Paik, M. C. (2013). *Statistical Methods for Rates and Proportions*. John Wiley & Sons.
17. Hastie, T., Tibshirani, R., and Friedman, J. H. (2009). *The Elements of Statistical Learning: Data Mining, Inference, and Prediction*. Springer, New York.
18. Hawkins, D. M., Basak, S. C., and Mills, D. (2003). Assessing model fit by cross-validation. *Journal of Chemical Information and Computer Sciences*, 43(2):579–586.
19. J. Batista, "A drowsiness and point of attendance monitoring system for driver vigilance," in *Proc. Intell. Transp. Syst. Conf.*, 2007, pp. 702–708.
20. J. M. Clanton, D. M. Bevely, and A. S. Hodel, "A low-cost solution for an integrated multi-sensor lane departure warning system," *IEEE Trans. Intell. Transp. Syst.*, vol. 10, no. 1, pp. 47–59, Mar. 2009.
21. Kohavi, R. A study of cross-validation and bootstrap for accuracy estimation and model selection. In *Ijcai* (Vol. 14, No. 2, pp. 1137-1145).
22. L. M. Bergasa, A. Member, J. Nuevo, M. A. Sotelo, R. Barea, and M. E. Lopez, "Real-time system for monitoring driver vigilance," *IEEE Trans. Intell. Transp. Syst.*, vol. 7, no. 1, pp. 63–77, Mar. 2016.
23. M.J. Flores J. Ma Armingol A. de la Escalera, "Driver drowsiness detection system under infrared illumination for an intelligent vehicle" Published in *IET Intelligent Transport Systems* Received on 13th October 2009 Revised on 1st April 2011.
24. Nickerson, David, and Todd Rogers. 2010. "Do you have a voting plan? Implementation intentions, voter turnout, and organic plan making." *Psychological Science* 21(2): 194-199.
25. Nickerson, David W., 2015. "Partisan Mobilization Using Volunteer Phone Banks and Door Hangers," *The Annals of the American Academy of Political and Social Science* 601:10-27.
26. Nickerson, David W., Ryan F. Friedrichs, and David C. King. 2016. "Partisan Mobilization Experiments in the Field: Results from a Statewide turnout experiment in Michigan," *Political Research Quarterly* 34(1):271-292.
27. Nickerson, David W. 2017a. "Quality is Job One: Volunteer and Professional Phone Calls," *American Journal of Political Science* 51(2):269-282.
28. S. Kulkarni and I. Haidar, "Forecasting Model for Crude Oil Price Using Artificial Neural Networks and Commodity Futures Prices," *International Journal of Computer Science and Information Security*, Vol.2, No.1, June 2009.
29. S. N. Abdullah and X. Zeng, "Machine learning approach for crude oil price prediction with Artificial Neural Networks-Quantitative (ANN-Q) model," *Proceedings of the International Joint Conference on Neural Networks*, pp. 1-8, 2010.
30. Shin, H., Hou, T., Park, K., Park, C.K., Choi, S., "Prediction of movement direction in crude oil prices based on semi-supervised learning," *Decision. Support. Systems*. 55, pp.348– 358, 2013.