



HAL
open science

An Enterprise Architecture Approach towards Environmental Management

Ovidiu Noran

► **To cite this version:**

Ovidiu Noran. An Enterprise Architecture Approach towards Environmental Management. IFIP TC 5 International Conference on Enterprise Architecture, Integration and Interoperability (EAI2N) / Held as Part of World Computer Congress (WCC), Sep 2010, Brisbane, Australia. pp.44-55, 10.1007/978-3-642-15509-3_5 . hal-01054820

HAL Id: hal-01054820

<https://inria.hal.science/hal-01054820v1>

Submitted on 8 Aug 2014

HAL is a multi-disciplinary open access archive for the deposit and dissemination of scientific research documents, whether they are published or not. The documents may come from teaching and research institutions in France or abroad, or from public or private research centers.

L'archive ouverte pluridisciplinaire **HAL**, est destinée au dépôt et à la diffusion de documents scientifiques de niveau recherche, publiés ou non, émanant des établissements d'enseignement et de recherche français ou étrangers, des laboratoires publics ou privés.



Distributed under a Creative Commons Attribution 4.0 International License

An Enterprise Architecture Approach towards Environmental Management

Ovidiu Noran

Griffith University Australia, School of ICT
O.Noran@griffith.edu.au

Abstract. Environmental responsibility is fast becoming an important aspect of strategic management as the reality of climate change settles in and relevant regulations are expected to tighten significantly in the near future. Many businesses react to this challenge by implementing environmental reporting and management systems. However, the environmental initiative is often not properly integrated in the overall business strategy and as a result the management does not have timely access to appropriate environmental information. This paper argues for the benefit of integrating the environmental management (EM) project into the continuous enterprise architecture (EA) initiative present in all successful companies. This is done by demonstrating how a reference architecture framework and a meta-methodology using EA artefacts can be used to co-design the EM system and the organisation in order to achieve an appropriate synergy.

Keywords: Environmental management, enterprise architecture

1 Introduction

The existence and success of businesses depends not only on their economic sustainability but also on their impact on the natural environment and the way they treat their workers. This basic truth was emphasized by Elkington's [1] Triple Bottom Line (TBL) approach to business sustainability: one must achieve economic bottom-line performance but also environmental and social accomplishment. Thus, Blackburn [2] compares economic sustainability to air and environmental and social sustainability to food: the first is more urgent but not more important than the second. The '2Rs' (Respect for humans and judicious Resource management) are another essential component of overall sustainability of the business. Hence, a successful enterprise must take a whole-system approach to sustainable development [3]. This paper focuses on the challenges presented by the proper integration of the environmental sustainability aspect in the business and proposes a solution addressing these challenges based on an EA approach.

2 Tackling Environmental Management Integration

To date most EM efforts within an enterprise are rather disjointed, i.e. specific to business units and not properly supported by the ICT infrastructure. This means that a) different units approach environmental sustainability in different levels of detail and at a different pace, b) there is a possible loss of aggregate capabilities due to the various departments not ‘understanding’ each other’s approach to sustainability and c) top management cannot effectively use the information generated by the environmental reporting functions due to language, format, level of aggregation etc

Strategic integration of EM is only achievable if the necessary information is at the fingertips of managers in the form and level of aggregation they need [4]. Therefore the EM initiative must be accompanied by and integrated with changes in the enterprise’s information system (IS), necessary to provide effective access to environmental information facilitating the decision-making process [4, 5]. For the EM project to succeed in the long term, i.e. to determine permanent changes in the way people act, there will be a need for:

- a) top-management support for the project champion(s);
- b) sufficient authority and appropriate human / infrastructure resources;
- c) a suitable strategy integrated in the general company strategic direction;
- d) a cross-departmental approach.

The above-mentioned requirements match to a good extent the scope of typical enterprise architecture (EA) projects; it is therefore proposed here that EA could provide a solution to an integrated approach to the introduction of environmental aspects in the management and operation of all business units. This is desirable because a company whose architecture includes EM competencies and responsibilities in an integrated fashion will have the necessary agility and preparedness to cope with the challenges brought about by climate change, thus turning a potential weakness into strength. The EM project would involve some of the steps below:

- a) identifying the business processes and their environmental impact (AS-IS);
- b) defining a vision and concept(s) for the future state (the TO-BE),
- c) eliciting and specifying requirements to reach the selected TO-BE state,
- d) (re)designing the processes and policies according to these requirements
- e) implementing the processes and policies previously designed;
- f) continually monitoring the effects and
- g) applying some of the previous steps for correction and enhancement.

These phases reflect the continuous improvement Plan-Do-Check-Act cycle [6].

3 Environmental Management Artefacts: A Brief Analysis

Companies typically address the requirement to introduce environmental responsibility in their business units by attempting to implement some type of environmental reporting and environmental management system (EMS)

While an EMS is a step in the right direction, when implemented in isolation it may not trigger the cultural change necessary to achieve permanent environmental responsibility. Some authors [7] argue that the implementation of an EMS alone is

irrelevant in the absence of a *real* commitment to environmental improvements. Relevant regulation, for example ISO 14001:2004 [8] only requires that an EMS be designed in such a way that companies can work toward the goal of regulatory compliance and seek to make improvements, not that the company actually achieves compliance with existing law.

Various reference models (frameworks, methods etc) and alternatives to EMS design have emerged. For example, Blackburn [2] proposes a 'Sustainability Operating System' - in fact, a management method to achieve sustainability based on the Brundtland report [3], the '2R's and the TBL approach applied to sustainability. Willard [9] also recommends a TBL-based approach encompassing economy / profit, environment / planet and equity / people with seven benefits: easier hiring and retention, increased productivity, reduced manufacturing / commercial sites expenses, increased revenue / market share and reduced risk. Clayton and Redcliffe [10] propose a systems approach to integration of sustainability aspects into the business and define the concept of environmental quality as capital (and thus the feasibility of 'tradable pollution').

EM frameworks aim to provide a structured set of artefacts (methods, aspects, reference models, etc) specialised for the EM area. Some examples are The Natural Step (TNS) Framework, using a systems-based approach to organisational planning for sustainability [11], The Natural Edge Project [12] which proposes a holistic approach ('Whole System') taking into account system life cycle and the Life Cycle Management Framework for continuous environmental improvement [13].

Assessment and reporting frameworks aim to assist the measurement and reporting functions of the EMS. For example, the Life Cycle Assessment (LCA) method measures the environmental impacts of products or services relative to each other during their life cycles [14]. The Global Reporting Initiative's sustainability reporting framework [15] contains reporting principles, guidance and standard disclosures potentially applicable to all types of businesses.

International Standards also cover the EM issue. ISO 14000:2004 is a set of reference models for EMS setup, life-cycle assessment, environmental auditing of processes, environmental labelling and environmental performance evaluation. ISO 14001:2004 deals specifically with EMS-s, aiming to provide a framework for a holistic and strategic approach to the organization's environmental policy, plans and actions [8]. Standards provide a good starting and reference point for design and assessment; however, as mentioned current EM standards do not define EM performance levels that the company should meet.

Many of the above-mentioned artefacts recognize the need to analyse the life cycle of the products. However, in reality it is often required to also take into account other life cycles – such as those of the host company, of its IS, of the projects set up to (re)design the IS and create the EMS and especially of the EMS itself. It is also necessary to analyse the interactions between these entities in that context. This approach provides a holistic perspective, allowing to represent and understand the business, the relevant projects, the target EMS, its impact on the IS and to identify potential problems and aspects that may not be otherwise obvious. Frameworks describing systems during their entire life (not just at particular points in time), also called life cycle architectures are commonly used in EA.

4 Enterprise Architecture Frameworks, GERAM and GERA

Enterprises are highly complex systems. Therefore, sets of models (sometimes aggregated in architectural descriptions corresponding to viewpoints representing stakeholders [16]) are produced using various languages in order to control this complexity and allow the enterprise architect and other stakeholders to focus on various aspects of the business. Other types of artefacts commonly used to structure knowledge in EA practice are modelling frameworks (MFs), methods, reference models, ontologies, meta-models, glossaries, etc; they are typically organised in architecture frameworks (AFs), some of which have underlying meta-models formally describing their structure. Currently there are several mainstream AFs, generic (e.g. PERA [17], TOGAF [18]) or aimed at various domains such as manufacturing (CIMOSA [19], ARIS [20]), defence (DoDAF [21], information systems [22], etc.

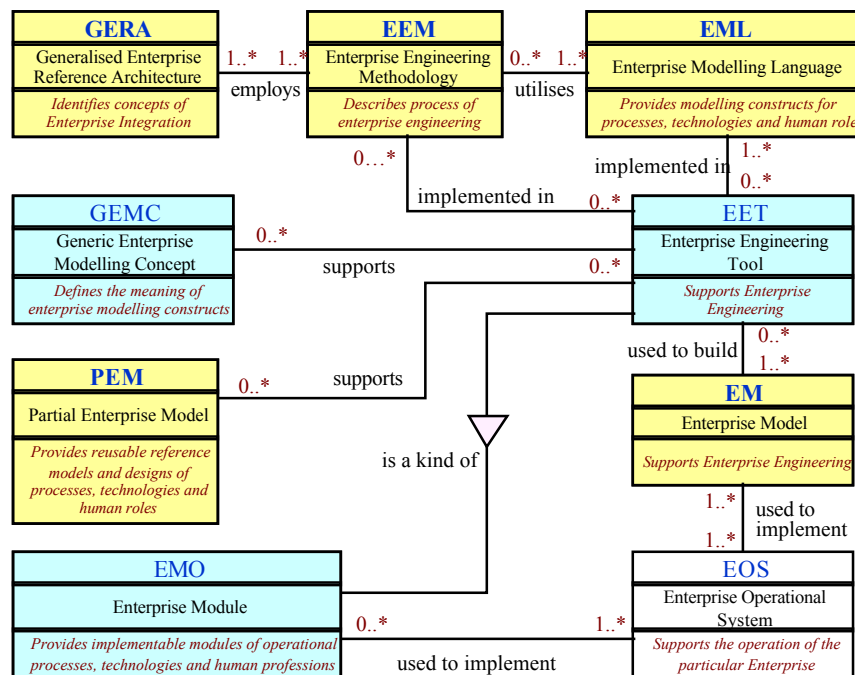


Fig. 1. A high-level meta-model of GERAM (based on [16])

In this research we have selected a reference framework obtained by generalising other AFs and thus potentially expressive enough to contain all the elements necessary to achieve environmental management integration using EA artefacts. This AF is GERAM (Generalised Enterprise Reference Architecture and Methodology), described in ISO 15704:2000. GERAM has been used in practice to guide EA projects [23-25], to assess other enterprise AFs [26-29] and to build a structured

repository of AF elements for a project management decision support system [30]. For more details on GERAM see [16].

The main component of the Reference Architecture of GERAM (called GERA, see Fig. 1) is a MF containing an extensive set of aspects including life cycle, management, organisation, human and decision, corresponding to various stakeholder concerns [16]. A subset of GERA has been used as a modelling formalism in the creation of a life cycle-based business model as subsequently shown in this paper.

5 A Meta-methodology for Enterprise Architecture Projects

The paper argues that EA can provide an overarching and life cycle-based approach in setting up and operating an EM project aiming to produce an EMS in an integrated and coherent manner in relation to the host organisation and other relevant external entities. To illustrate this approach, the researcher has used a meta-methodology, or a ‘method to build methods’ applicable for specific types of EA tasks (projects), based on an original approach abiding by EA principles. The meta-methodology, first defined in [31, 32] and tested in several case studies [33-35], employs a set of steps and sub-steps as shown in Fig. 2.

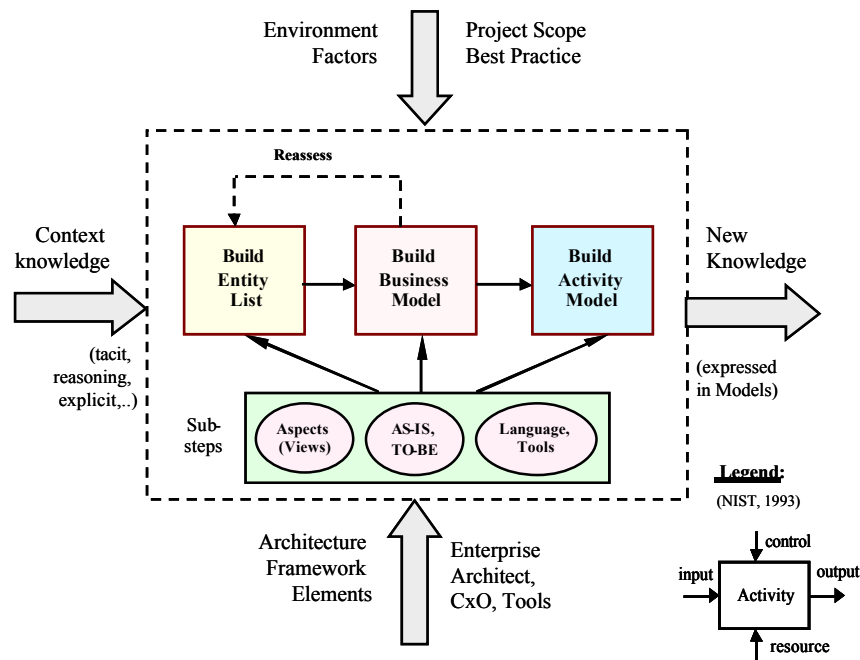


Fig. 2. A high-level meta-model of GERAM (based on [36])

In the first step, the user is prompted to create a list containing entities of interest to the project in question, including project participants, target entities (organisations,

other projects) and importantly, the project itself. The second step comprises the creation of business models showing the relations between the previously listed entities in the context of their lifecycles, i.e. illustrating how entities influence each other within each life cycle phase (several aspects can be represented, see sub-step one). The third step assists the user in inferring the set of project activities by reading and interpreting the previously represented relations for each life cycle phase of the project and other target entities. The resulting activities are then decomposed (using aspects selected according to sub-step one) to a level deemed suitable for the intended audience.

The first meta-methodology sub-step calls for the selection of suitable aspects (or views) to be modelled in each stage. The life cycle aspect must be present since it is essential to the meta-methodology. The selection of a MF is also recommended, as MFs typically feature structured collections of views that can be used as checklists of candidate aspects and their intended coverage. This sub-step also calls for the identification and reconciliation of any aspect/view dependencies. The second sub-step asks the user to determine if the present (AS-IS) state of the views previously adopted needs to be shown and whether the AS-IS and future (TO-BE) states should be represented in separate or combined models. Typically, the AS-IS state needs to be modelled when it is not properly understood by the stakeholders or when the TO-BE state is to be evolved from the AS-IS (no radical re-engineering is likely). The third sub-step requires the selection of suitable modelling formalisms and modelling tools for the chosen aspects according to the target audience and competencies and tools available in the organisation at present or in the future. Best-practice modelling principles such as formalism reuse and minimal number of languages involved are also underlying the formalism selection criteria.

Due to its scope and to space limitations, the paper will cover only the first and second meta-methodology steps, focusing in particular on the benefits of creating a business model in the context of the life cycles of all relevant participant entities.

3 Application to the Environmental Management Project

In this case, the meta-methodology deliverables are various models of the EM project and the EMS taking into consideration the internal and external business life cycle context. Since the management of the organisation and all other entities (business units, other organisations, agencies, laws etc) that need to be involved in the EM project and the EMS are to be included in the entity list (first step in Fig. 2, left), their influence will be taken into account throughout the life cycle of the EM project and the EMS. An important prerequisite for EM integration into the organisation is thus fulfilled. As shown in Fig. 2, the meta-methodology assists in creating new knowledge (in this case, how to go about setting up and operating the EM project and the EMS) based on context knowledge, i.e. the know-how of running the business including corporate culture, relations with suppliers, clients, authorities etc, typically available at middle and top management level. The involvement of these roles in the methodology creation process establishes the conditions for management buy-in and support for the upcoming EM project and for the early involvement of the EA

department in the EM project. This will create the best conditions for the integrated development of the EMS and the supporting functions of the IS.

Proposed members in the entity list are the company as a whole, business units, the EM project, the IS project, the EMS, the IS, environmental reports, NGOs, the government, Environmental Protection Agency (EPA), EM principles (e.g. 2R, TBL), EM laws, EM standards, EM frameworks, assessment and reporting frameworks, social responsibility standards, Quality Standards and EM consultants. The MF of GERA (see Fig. 1) is adopted here as the most suitable to provide a formalism for the (mandatory) life cycle and other selected aspects.

In this case, the TO-BE state is incremental and based on the AS-IS (no radical redesign recommended when setting up an EMS). Therefore, in sub-step two, it the AS-IS state should be represented for all aspects. While there is no tangible advantage in showing separate AS-IS and TO-BE states in the business model, it is very useful to do so in the decisional / organisational structure. This is because here it is imperative to clearly show where and how the functions of the EMS interact with the existing system so as to ascertain the degree of integration and effects of the EMS on the decisional and organisational structure of the host company. Separate AS-IS / TO-BE decisional / organisational models also help define several TO-BE scenarios.

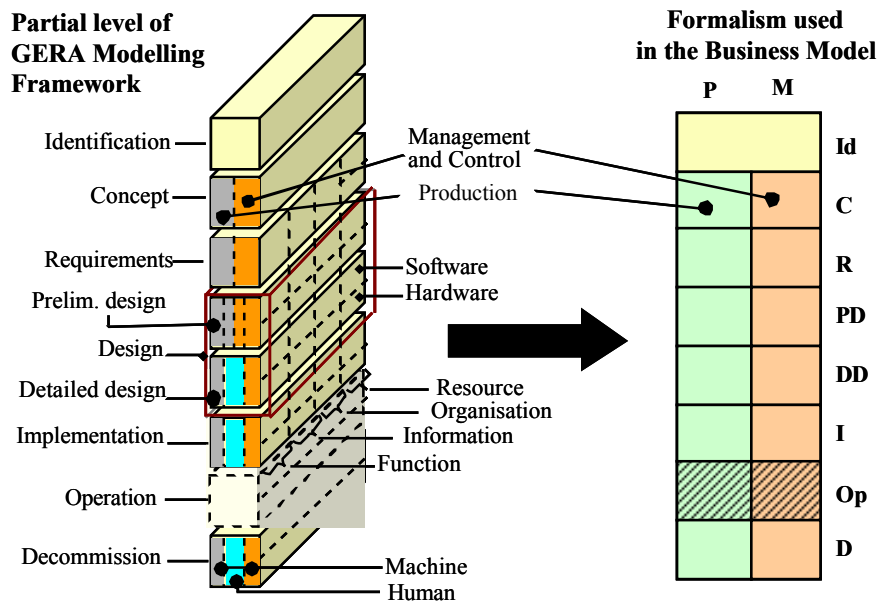


Fig. 3. Formalism used for the business model: simplified GERA MF

A modelling formalism based on the GERA MF was chosen for the business model (see Fig. 3). GRAI-Grid [37] was selected to represent decisional and organisational aspects (see Fig. 5), together with a plain graphical editor as a modelling tool. GRAI-Grid was optimal in this case due to its ability to represent both the decisional and organisational aspects.

As shown in Fig. 2, the business model is constructed in the second step based on context knowledge (often tacit and requiring eliciting by the meta-methodology facilitator) owned by stakeholders, i.e. CxO, enterprise architect, top management, etc. A possible result is shown in Fig. 4. As can be seen, the relations between the relevant entities can be explicitly represented for each life cycle phase. Note that some entities' life cycle representation has been reduced to the phase(s) relevant for the EM project and the EMS. For example, we are only interested in the Operation life cycle phase of Auditors, EM assessment / reporting frameworks, EM consultants, etc since they are not being designed / built as part of the EM project. The figure shows the relations between the company, the EM project, the EMS and the IS, thus facilitating a common understanding, building consensus and representing what needs to be done, step by step, at a high level.

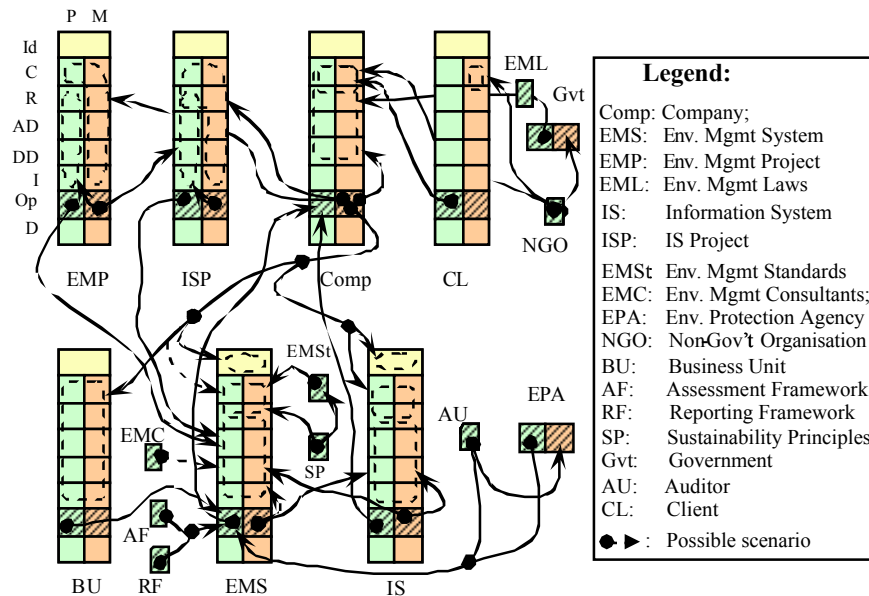


Fig. 4. Business model showing relations of relevant entities in the context of their life cycles

For example, the EMS is built by the EM project, with the possible involvement of consultants (EMC). The company is lobbied by NGOs and must abide by EM laws (EML). Auditors (AU) may perform certification audits (during the design of the EMS) or surveillance audits (to check if the EMS is still compliant). The EPA will look into the EMS operation and receive information from external auditors. Importantly, the EMS should be able to redesign itself (arrow from its Mgmt operation to its other EMS life cycles) to a certain extent and thus remain agile in the face of moderate EM regulation and market changes. Reaction to major changes will however be delegated to the upper company management via an EM project (EMP) (arrows from company (Comp) management operation to EMP and from EMP operation to EMS life cycles).

	External Information	Manage...		Plan & Coordinate	Manage...			Internal Information
		Input Products & Services	Output Products & Services		Budget	Staff	Infrastructure / Technology	
Strategic H=3y P=1y	Enviro forecasts, Govt policies, laws, market trends	Decide prod & services sourcing strategy considering their enviro impact	Decide new prod & services strategy considering their enviro impact	Decide EM strategy; Contribute to revision of policies, procedure & processes	Secure EM budget allocation	Contribute to Staffing strategy using EM criteria	Decide EM Infrastructure Strategy; Contribute to production tech strategy	Cumulative expenditure / staffing environmental reports, long term trends
Tactical H=1y P=6m	Market analysis, yearly forecasts, public enviro reports, feedback, Client profiles	Propose prod & services sourcing (supply chain) approach considering enviro impact	Propose Marketing approach and product revisions	Decide yearly EM plan	Distribute allocated EM budget	Contribute to hiring, staff development & promotion using EM principles	Manage Renewal of EM infrastructure; Evaluate production technology	Performance evals, product / environmental reports, expenditure, enviro audits
Operational H=6m P=2w	Public enviro reports, feedback from public / NGOs / EPA / clients	Monitor enviro aspects of incoming goods & services	Manage short-term unexpected probs	Schedule EM activities	Manage unexpected EM savings / expenses	Manage unexpected staff issues (e.g. unavailability, surge in demand)	Maintain EM infrastructure; Monitor Production Technology's EM performance	enviro feedback events
Control H=1d P=real time	Significant external events	Control production	Control Service	N/A	Control budget	N/A	Control Infrastructure	Significant internal events (e.g. spills)

⇒ = decisional framework (DF); ● = info link (IL); - - - = Enviro manager / Board; - - - - = EMS auditor; H = horizon; P = period

Fig. 5. Sample GRAI Grid for EM integration

The arrow from the operation management side of the EMS to IS life cycles reflects the requirement to partially re-design the IS management and operation to integrate the EMS functions. On the other hand the IS is also influencing the design of EMS.

Such inter-relations are detailed in the next meta-methodology steps as controls, inputs, decision frameworks, etc.

The influences of other entities on the EMS and on the EM project EMP can also be interpreted as stakeholder concerns that translate in particular areas of interest being modelled and addressed. For example, the client may want to know how the mission and vision of the Company (the Concept area of Comp entity in Fig. 4) addresses its environmental concerns, and the government (Gvt) will want to ensure that the Company abides by the public environmental concerns expressed in EM laws. Models of the AS-IS and several potential TO-BE decisional and organisational aspects have also been constructed. For example, Fig. 5 shows in a simplified form (using the GRAI-Grid formalism) a possible TO-BE decisional / organisational structure of an EMS as an add-on enabling the organisation to manage, benchmark and improve its environmental performance in an integrated manner (i.e. taking into account all relevant areas in a cross-departmental manner).

Detailed models including activity models of the third meta-methodology step are available in [38].

5 Conclusions and Further Work

Currently, businesses do not appear to achieve the maximum benefits from implementing and operating an EM project and an EMS. Firstly, there seems to be a lack of integration of the EM initiative with the business and its IS, especially at the strategic level. Thus, the management cannot take full advantage of the knowledge present in the environmental reporting mainly due to wrong format and/or level of aggregation. Secondly, an EMS needs to be driven internally and permeate all business areas in a consistent manner in order to produce organisational culture change, hence lasting effects. This paper has argued that such needs are best addressed by integrating EM in the ongoing EA initiative present in some form in every successful enterprise. EA can provide the necessary artefacts and the prerequisites for a coherent, cross-departmental and culture-changing approach ensuring business sustainability and profitability in the long term.

References

1. Elkington, J.: *Cannibals with Forks: The Triple Bottom Line of 21st Century Business* (1998)
2. Blackburn, W.R.: *The Sustainability Handbook*. EarthScan Publishers, Cornwall, UK (2007)
3. UN World Commission on Environment and Development: *Our Common Future* (Brundtland Report). Oxford University Press, Oxford (1987)
4. Molloy, I.: *Environmental Management Systems and Information Management – Strategic-Systematical Integration of Green Value Added*. In: Gómez, J.M., Sonnenschein, M., Müller, M., Welsch, H., Rautenstrauch, C. (eds.) *Information Technologies in Environmental Engineering ITEE 2007 - (proceedings of the 3rd International ICSC Symposium)*, (2007)

5. Nilsson, I.: Integrating Environmental Management to Improve Strategic Decision-Making. Chalmers University of Technology, Götteborg, Sweden (2001)
6. Shewhart, W.A.: Statistical Method from the Viewpoint of Quality Control. Dover Publications (1986)
7. Coglianese, C., Nash, J. (eds.): Regulating from the Inside: Can Environmental Management Systems Achieve Policy Goals? RFF Press (2001)
8. ISO: ISO 14001:Environmental management systems - Requirements with guidance for use. International Standards Organisation (2004)
9. Willard, B.: The Sustainability Advantage: Seven Business Case benefits of a Triple Bottom Line. New Society Publishers, Gabriola Island (2002)
10. Clayton, A., Redcliffe, N.: Sustainability - A Systems Approach. Earthscan Publications, Ltd, Edinburgh (1998)
11. Upham, P.: An assessment of The Natural Step theory of sustainability. Journal of Cleaner Production 8, 445-454 (2000)
12. The Natural Edge Project (TNEP), <http://www.naturaledgeproject.net/>
13. Hunkeler, D. (ed.): Life-cycle Management. Society of Environmental Toxicology & Chemist (2004)
14. Environmental Protection Agency, South Australia, <http://www.epa.sa.gov.au/tools.html>
15. GRI: Sustainability Reporting Guidelines. In: Global Reporting Initiative (ed.) Sustainability Reporting Framework. Global Reporting Initiative (2002)
16. ISO/IEC: ISO/IEC 42010:2007: Recommended Practice for Architecture Description of Software-Intensive Systems (2007)
17. Williams, T.J.: The Purdue Enterprise Reference Architecture. Computers in Industry 24, 141-158 (1994)
18. The Open Group: The Open Group Architecture Framework, (TOGAF 8.1.1 'The Book') v8.1.1 (2006)
19. CIMOSA Association: CIMOSA - Open System Architecture for CIM,. Technical Baseline, ver 3.2. Private Publication (1996)
20. Scheer, A.-W.: ARIS-Business Process Frameworks. Springer-Verlag, Berlin (1999)
21. http://www.dod.mil/cio-nii/docs/DoDAF_v1_Volume_I.pdf, http://www.dod.mil/cio-nii/docs/DoDAF_v1_Volume_II.pdf
22. Zachman, J.A.: A Framework for Information Systems Architecture. IBM Systems Journal 26, 276-292 (1987)
23. Bernus, P., Noran, O., Riedlinger, J.: Using the Globemen Reference Model for Virtual Enterprise Design in After Sales Service. In: Karvoinen, I., van den Berg, R., Bernus, P., Fukuda, Y., Hannus, M., Hartel, I., Vesterager, J. (eds.) Global Engineering and Manufacturing in Enterprise Networks (Globemen). VTT Symposium 224, pp. 71-90, Helsinki / Finland (2002)
24. Noran, O.: A Meta-methodology for Collaborative Networked Organisations: A Case Study and Reflections. In: Bernus, P., Fox, M., Goossenaerts, J.B.M. (eds.) Knowledge Sharing in the Integrated Enterprise: Interoperability Strategies for the Enterprise Architect, pp. 117-130. Kluwer Academic Publishers, Toronto / Canada (2004)
25. Mo, J.: The use of GERAM for Design of a Virtual Enterprise for a Ship Maintenance Consortium. In: Saha, P. (ed.) Handbook of Enterprise Systems Architecture in Practice, pp. 351-366. IDEA Group, Hershey, USA (2007)
26. Noran, O.: A Mapping of Individual Architecture Frameworks (GRAI, PERA, C4ISR, CIMOSA, Zachman, ARIS) onto GERAM. In: Bernus, P., Nemes, L., Schmidt, G. (eds.) Handbook of Enterprise Architecture, pp. 65-210. Springer Verlag, Heidelberg (2003)
27. Noran, O.: An Analysis of the Zachman Framework for Enterprise Architecture from the GERAM perspective. IFAC Annual Reviews in Control Special Edition on Enterprise Integration and Networking, 163-183 (2003)

28. Noran, O.: An Analytical Mapping of the C4ISR Architecture Framework onto ISO15704 Annex A (GERAM). *Computers in Industry* 56, 407-427 (2005)
29. Saha, P.: A Synergistic Assessment of the Federal Enterprise Architecture Framework against GERAM (ISO15704:2000 Annex A). In: Saha, P. (ed.) *Enterprise Systems Architecture in Practice*, pp. 1-17. IDEA Group, Hershey, USA (2007)
30. Noran, O.: A Decision Support Framework for Collaborative Networks. In: Camarinha-Matos, L., Afsarmanesh, H., Novais, P., Analide, C. (eds.) *Establishing the Foundation of Collaborative Networks (Proceedings of the 8th IFIP Working Conference on Virtual Enterprises - PROVE 07)*, pp. 83-90. Kluwer Academic Publishers, Guimaraes / Portugal (2007)
31. Noran, O.: A Meta-methodology for Collaborative Networked Organisations. School of Computers and Information Technology, Griffith University (2004)
32. Noran, O.: A Meta-methodology Prototype for Collaborative Networked Organisations. In: Camarinha-Matos, L. (ed.) *Collaborative Networks and Breeding Environments (Proceedings of the 6th IFIP Working Conference on Virtual Enterprises - PROVE 05)*, pp. 339-346. Springer Verlag, Valencia / Spain (2005)
33. Noran, O.: Refining a meta-methodology for collaborative networked organisations: a case study. *Int. J. Networking and Virtual Organisations* 3, 359-377 (2006)
34. Noran, O.: Discovering and modelling Enterprise Engineering Project Processes. In: Saha, P. (ed.) *Enterprise Systems Architecture in Practice*, pp. 39-61. IDEA Group, Hershey, USA (2007)
35. Noran, O.: A Meta-methodology for Collaborative Networked Organisations: Creating Directly Applicable Methods for Enterprise Engineering projects. VDM Verlag Dr. Müller, Saarbrücken (2008)
36. Noran, O.: A Decision Support Framework for Collaborative Networks. *International Journal of Production Research* 47, 4813-4832 (2009)
37. Doumeingts, G., Vallespir, B., Chen, D.: GRAI Grid Decisional Modelling. In: Bernus, P., Mertins, K., Schmidt, G. (eds.) *Handbook on Architectures of Information Systems*, pp. 313-339. Springer Verlag, Heidelberg (1998)
38. Noran, O.: Engineering the Sustainable Business: An Enterprise Architecture Approach. In: Doucet, G., Gotze, J., Saha, P. (eds.) *Coherency Management: Architecting the Enterprise for Alignment, Agility, and Assurance*, pp. 179-210. International Enterprise Architecture Institute (2009)