



HAL
open science

Domain-driven Probabilistic Analysis of Programmable Logic Controllers

Hehua Zhang, Yu Jiang, Hung William N.N., Xiaoyu Song, Ming Gu

► **To cite this version:**

Hehua Zhang, Yu Jiang, Hung William N.N., Xiaoyu Song, Ming Gu. Domain-driven Probabilistic Analysis of Programmable Logic Controllers. 13th International Conference on Formal Engineering Methods(ICFEM 2011), Oct 2011, Durham, United Kingdom. inria-00612414

HAL Id: inria-00612414

<https://inria.hal.science/inria-00612414>

Submitted on 10 Aug 2011

HAL is a multi-disciplinary open access archive for the deposit and dissemination of scientific research documents, whether they are published or not. The documents may come from teaching and research institutions in France or abroad, or from public or private research centers.

L'archive ouverte pluridisciplinaire **HAL**, est destinée au dépôt et à la diffusion de documents scientifiques de niveau recherche, publiés ou non, émanant des établissements d'enseignement et de recherche français ou étrangers, des laboratoires publics ou privés.

Domain-driven Probabilistic Analysis of Programmable Logic Controllers

Hehua Zhang¹, Yu Jiang², William N. N. Hung³, Xiaoyu Song⁴, and Ming Gu¹

¹ School of Software, TNLIST, Tsinghua University, China

² School of Computer Science, TNLIST, Tsinghua University, China

³ Synopsys Inc., Mountain View, California, USA

⁴ Dept. ECE, Portland State University, Oregon, USA

Abstract. Programmable Logic Controllers are widely used in industry. Reliable PLCs are vital to many critical applications. This paper presents a novel symbolic approach for analysis of PLC systems. The main components of the approach consists of: (1) calculating the uncertainty characterization of the PLC systems, (2) abstracting the PLC system as a Hidden Markov Model, (3) solving the Hidden Markov Model using domain knowledge, (4) integrating the solved Hidden Markov Model and the uncertainty characterization to form an integrated (regular) Markov Model, and (5) harnessing probabilistic model checking to analyze properties on the resultant Markov Model. The framework provides expected performance measures of the PLC systems by automated analytical means without expensive simulations. Case studies on an industrial automated system are performed to demonstrate the effectiveness of our approach.

Keywords: PLC, Hidden Markov Model, Probabilistic Analysis

1 INTRODUCTION

Programmable Logic Controllers are widely used in industry. Many PLC applications are safety critical. There are a lot of studies on the modeling and verification of PLC programs. Most of them transfer PLC programs to automata [3, 9, 1] or Petri nets [7]. Formal methods [16, 6, 14] are also proposed for analysis. Most of these methods consider the static individual PLC program that is isolated from its operating environment and verify some functional properties based on traversing the transferred model. The existent deterministic analysis of PLC programs are valuable, but the uncertain errors caused by noise, environment, or hardware should not be neglected [11].

In this paper, we present a symbolic framework for the formal analysis of PLC system.⁵ We develop a probabilistic method to model the inherent uncertainty property of the PLC system. Then, we abstract the PLC system as a Hidden Markov Model, and generalize the Baum-Welch algorithm to solve the Hidden

⁵ This research is sponsored in part by NSFC Program (No.91018015, No.60811130468) and 973 Program (No.2010CB328003) of China.

Markov Model using domain knowledge of its dedicated operating environment. After that, we combine the solved Hidden Markov Model with uncertainty characterization of the PLC system to form an integrated Markov model. We harness probabilistic model checking to analyze properties on the regular Markov Model through PRISM [8]. Our framework also allows us to obtain some performance measures of the PLC system, such as the reliability and some other time related properties. Case studies demonstrate the effectiveness of our approaches.

2 Preliminaries

Ladder diagram (LD) is a widely used graphical programming language for PLCs. The language itself can be seen as a set of connections between logical checkers (contacts) and actuators (coils). If a path can be traced between the left side of the rung and the output, through asserted contacts, the rung is true and the output coil storage bit is asserted true. If no path can be traced, then the output coil storage bit is asserted false. Fig. 1 shows a simple ladder program with some common instructions. It is made up of four ladder rungs.

The symbol $-| | -$ is a normal open contact, representing a primary input. When the value of SW_1 is 1, the contact stays in the closed state, and the current flows through the contact. The symbol $-| / | -$ is a normal close contact. When the value of SW_3 is 0, the contact stays in the closed state, and the current flows through the contact. $-| | - | | -$ represents a serial connection of two kinds of contacts. Similarly, in the third rung, b_1 and V_3 are connected in parallel. When at least one value of them is 1, the current can flow through the trace. There is also a timer instruction in Fig. 1. More details can be found in [10].

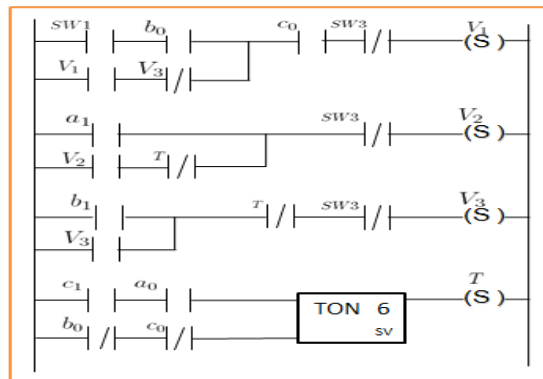


Fig. 1. A simple ladder

The simplest Markov model is the Markov chain which is a random process with the property that the next state depends only on the current state. It

models the state of a system with a random variable that changes over time. A discrete time Markov model can be defined as a tuple $\langle S, \pi, A, L \rangle$, where

- $S = \{S_1 \cdots S_N\}$ is a set of states. We use q_t to denote the state of the system at time $t (t \in N^+)$.
- $\pi = \{\pi_1 \cdots \pi_N\}$ is the initial state distribution, where $\pi_i = Pr[q_1 = S_i]$ is the probability that the system state at time unit 1 is S_i .
- $A = \{a_{ij}\} (\forall i, j \in N)$ is the state transition probability matrix for the system and $a_{ij} = Pr[q_{t+1} = S_j | q_t = S_i]$.
- L is a set of atomic propositions labeling states and transitions.

In a regular Markov model, the state is directly visible to the observer, and therefore the state transition probabilities are the only parameters. This model is too restrictive to be applicable to many problems of interest. Here, we extend the concept of Markov model to include the case where the observation is a probabilistic function of the state. In a Hidden Markov Model, the state is not directly visible, but the output, dependent on the state, is visible. Each state has a probability distribution over the possible output observations. Hence the sequence of observations generated by a hidden Markov model gives certain information about the sequence of states.

Formally, a Hidden Markov Model is defined as a tuple $M = \langle S, O, \pi, A, B, L \rangle$. The items S, π, A and L are defined as above. The remaining two items of the tuple are defined as:

- $O = \{O_1 \cdots O_M\}$ is a set of observations that the system can generate. We use v_t to denote the observation generated by the system at time $t (t \in N^+)$.
- $B = \{b_{ik}\}$ is the observation state probability matrix of the system: $b_{ik} = Pr[v_t = O_k | q_t = S_i] (\forall S_i \in S, \forall O_k \in O)$, which means the probability that the system generates observation O_k in state S_i .

Given an observation sequence $Q_o = O_1 O_2 \cdots O_t$, in our framework, we need to consider the following problem:

- How to adjust the model parameters A, B to maximize $Pr(Q_o | M)$.

The problem has been solved by an iterative procedure such as the Baum-Welch method [2, 5] and equivalently the EM method [4] or gradient techniques [12]. In this paper, we generalize Baum-Welch method with additional weights.

3 SYMBOLIC FRAMEWORK

We present a symbolic framework for the formal analysis of PLC systems. The framework is applicable from the implementation process to the deployment process of the system. It contains three main procedures: (1) Uncertainty characterization of a PLC ladder program, which can reflect the inner quality of the system. (2) Hidden Markov Model construction and its solution, which can reflect the actual operating environment of the PLC system. (3) Reward based probabilistic model checking to analyze the performance properties of the system on the integrated Markov model. The components of the framework are shown in Fig. 2.

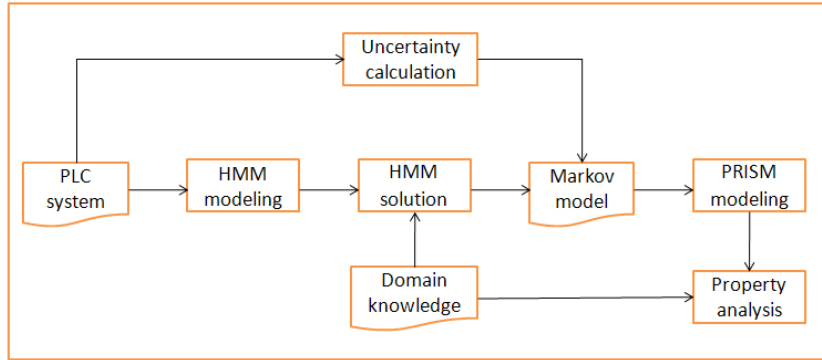


Fig. 2. Validation Process

3.1 Modeling Uncertainty of PLC systems

In a PLC, the program is executed through periodic scanning. In each cycle, the inputs are first sampled and read. Then, the program instructions are executed. Finally, the outputs are updated and sent to the actuators. The uncertainty characterization calculation refers to evaluating the effects of errors caused by input sampling and program execution. The sampling error happens when the actual input is 1 (or 0), but the sensor samples a 0 (or 1). Program execution error happens when the output of each ladder logic is 1 (or 0), mainly for the *AND* logic ($a \wedge b$) and *OR* logic ($a \vee b$), but the actual output of the logic execution turns out to be 0 (or 1). The probability of these two kinds of errors depends on noise, environment, hardware, etc.

The uncertainty calculation can be divided into three steps. We first define the output of each rung on the logic checkers and the output of instructions such as timer and counter. They are connected by ladder logic ($a \wedge b$, $a \vee b$). Then, we build an abstract syntax tree (AST) for the output expression, with which we can give a topological sort for each ladder logic ($\wedge(a, b)$, $\vee(a, b)$). Finally, we can use the third algorithm presented in the technical report [17] to process each node in the abstract tree, until we arrive at the root node. The uncertainty characterization of this ladder rung can be described as follows:

$$f(o) = P_o^0 P_\varepsilon(0 \rightarrow 1) + P_o^1 P_\varepsilon(1 \rightarrow 0)$$

The first factor denotes the probability that the output of this ladder rung should be 0 (denoted by P_o^0), but the root node of the abstract syntax tree propagates a $P_\varepsilon(0 \rightarrow 1)$ error. The second factor is similar. An example is shown in Fig. 3. Because each ladder logic diagram may have many ladder rungs, we can get the following theorem:

Theorem 1. *The uncertainty characterization of the whole PLC system f is*

$$f = 1 - \prod_{i=1}^{i=n} (1 - f(o)_n)$$

Where $f(o)_n$ means the uncertainty characterization of the n-th ladder rung.

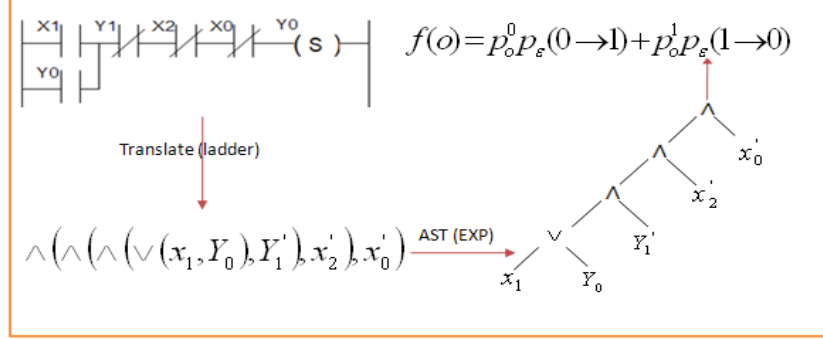


Fig. 3. Uncertainty Calculation

3.2 Construction of Hidden Markov Model

Unlike the previous methods which consider an individual PLC program that is isolated from its operating environment, we construct a Hidden Markov Model (HMM) to reflect the control principle of the whole PLC system. Our model manifests the dynamic characteristics of all the possible execution paths of the PLC system. The HMM depicts how the PLC system transfers from one state to another with a hidden probability.

As mentioned in Section 2, a HMM can be defined as a tuple $\langle S, O, \pi, A, B, L \rangle$. We abstract the PLC system as a tuple. S is the set of normal states of the PLC system. Each state of the PLC system is composed of the states of the physical devices which are actuated by the PLC ladder program. Then, each state of the PLC system can be identified by the primary outputs of the PLC ladder rungs. O contains the observations corresponding to the state set S . It is a probabilistic function of the state and can be abstracted from basic functional requirements and from events corresponding to the physical outputs of the system. L is a set of atomic propositions $\{L\}$ labeling states and transitions. Since the PLC works in a periodic scanning manner and there may be timer instructions in the ladder logic diagram, we extend the label with time attribute to reflect the time property of the PLC system. The recursive syntax of the label is defined as:

$$L \rightarrow I|T|O; I \rightarrow I0|I1|0|1; T \rightarrow n \in N^+$$

It is composed of three components. The first component I is the sequence of the primary inputs of the PLC ladder program. The sequence will determine the outgoing transitions of each state. The second component T is the time attribute related to the timer instructions in the ladder program, which means the corresponding state S_i transfers to state S_j with a time delay T . The value

of T is a positive integer N^+ . O is the set of observations that the primary input will trigger in the dedicated state S_j of the transition.

3.3 Solving the Hidden Markov Model

After we obtain the knowledge about the PLC systems' observations, states, and transitions among those states, we need to solve the unknown parameters of the HMM, especially for the parameters of the state transition probability A . We give two methods to solve the HMM by using three kinds of domain knowledge. If the domain knowledge is from a domain expert or the runtime monitoring method, the problem can be addressed by the extended Baum-Welch algorithm.

Extended Baum-Welch Method The extended Baum-Welch algorithm is based on two kinds of domain knowledge. The first kind of knowledge relies on domain expert. In a particular application, this can be done by asking the domain expert to directly provide a set of sequences of the PLC system's observations. The observation sequences are representative of the expert's knowledge of the PLC system's actual operating environment. The second kind of domain knowledge is from runtime monitoring. If the PLC has been deployed on the system, the system is already in use, we can observe the execution of the system many times to attain the observations.

After we get the observation sequence $O(O_1O_2 \cdots O_tO_{t+1}O_{t+2} \cdots O_T)$ of the HMM from time unit 1 to T , we need to adjust the model parameters $M(A, B, \pi)$ to maximize the probability of the observation sequence. The Baum-Welch algorithm applies a dynamic programming technique to estimate the parameters. It makes use of a forward-backward procedure based on two variables:

$$\alpha_t(i) = P(O_1O_2 \cdots O_t, q_t = S_i | M) \quad \beta_t(i) = P(O_{t+1}O_{t+2} \cdots O_T | q_t = S_i, M)$$

$\alpha_t(i)$ is the probability of the partial observation sequence $O_1O_2 \cdots O_t$, and system model is in state S_i at time unit t , and $\beta_t(i)$ is the probability of the partial observation sequence from $t + 1$ to the end, given state S_i at time unit t and the model M . We compute the parameter a_{ij} as follows:

$$\gamma_t(i) = P(q_t = S_i | O, M) = \frac{\alpha_t(i)\beta_t(i)}{\sum_{i=1}^N \alpha_t(i)\beta_t(i)}$$

$\gamma_t(i)$ is the probability of the system in state S_i at time t , given the observation sequence O and the model M .

$$\xi_t(i, j) = P(q_t = S_i, q_{t+1} = S_j | O, M) = \frac{\alpha_t(i)a_{ij}b_j(O_{t+1})\beta_{t+1}(j)}{\sum_{i=1}^N \sum_{j=1}^N \alpha_t(i)a_{ij}b_j(O_{t+1})\beta_{t+1}(j)}$$

$\xi_t(i, j)$ is the probability of the system in state S_i at time t and in state S_j at time $t+1$, respectively, with M and O . $b_j(O_{t+1})$ denotes the probability that the system is in state j , and the observations is O_{t+1} .

Then, the expected number of all the transitions from S_i and the transitions from S_i to S_j can be defined as $\sum_{t=1}^{T-1} \gamma_t(i)$ and $\sum_{t=1}^{T-1} \xi_t(i, j)$, respectively. The expected number of observing observation O_k in state S_i can be defined as $\sum_{t=1, v_t=O_k}^T \gamma_t(i)$. For a single observation sequence, the iterative calculation formulas for state transition and observation probabilities can be defined as:

$$\bar{a}_{ij} = \frac{\sum_{t=1}^{T-1} \xi_t(i, j)}{\sum_{t=1}^{T-1} \gamma_t(i)} \quad \bar{b}_{ij} = \frac{\sum_{t=1, v_t=O_j}^T \gamma_t(i)}{\sum_{t=1}^T \gamma_t(i)}$$

The numerator of \bar{a}_{ij} denotes the expected number of transitions from state S_i to S_j , the denominator of \bar{a}_{ij} denotes the expected number of transitions going out of state S_i . The numerator of \bar{b}_{ij} denotes expected number of times in state S_i and observing symbol O_j , the denominator of \bar{b}_{ij} denotes the expected number of times in state S_i .

For different observation sequences $Os = [O^1, O^2 \dots, O^s]$, where $O^k = [O_1^k, O_2^k \dots O_T^k]$ is the k_{th} observation sequence, the other symbols are similar. We need to adjust the model parameter of model M to maximize $P(Os|M)$. We extend the method presented in [13] with a weight W_k for each O^k . W_k is the frequency of the sequence O^k . We define $P_k = P(O^k|M)$ and $P(Os|M) = \prod_{k=1}^k P_k W_k$. Then, the iterative calculation formulas for state transition and observation probabilities can be changed to:

$$\bar{a}_{ij} = \frac{\sum_{k=1}^k \frac{1}{P_k W_k} \sum_{t=1}^{T-1} \xi_t^k(i, j)}{\sum_{k=1}^k \frac{1}{P_k W_k} \sum_{t=1}^{T-1} \gamma_t^k(i)} \quad \bar{b}_{ij} = \frac{\sum_{k=1}^k \frac{1}{P_k W_k} \sum_{t=1, v_t=O_j}^T \gamma_t^k(i)}{\sum_{k=1}^k \frac{1}{P_k W_k} \sum_{t=1}^T \gamma_t^k(i)}$$

The meaning of the numerator and denominator of the extended formulas are the same with the original formula described above. Then, we can choose an initial model $M = (A, B, \pi)$ and use the initial model to compute the right side of the iterative calculation formulas. Once we get the new model $\bar{M} = (\bar{A}, \bar{B}, \pi)$, we can use \bar{M} to replace M and repeat this procedure until the probability of observation sequence $P(Os|\bar{M})$ and $P(Os|M)$ are equal or $|P(Os|\bar{M}) - P(Os|M)| < \theta$, θ is the precision limit you want.

With these two methods, we can build the solved HMM to show the real operating environment in an particular application. We can get value of the state transition matrix, each element a_{ij} is also identified with a label L , $L \rightarrow I/T/O$.

3.4 Construction of Combined Regular Markov Model

The uncertainty characterization of the PLC system itself shows the inherent behaviors of the system, which evaluates the effects of the errors from input

sampling and the errors from program execution. The solved HMM shows the operating environment of the system in a particular application with the use of normal states and the transitions. Then, we construct a new Markov model to combine these two properties.

The first step is to add the abnormal state caused by the uncertainty characterization. Since the system would go into an abnormal state from any normal states, we build an abnormal state (U) for all normal states (S_n). When a normal state transits to an abnormal state, it can be recovered by the system itself or by human intervention, and reset to the initial state. We also need to add these two kinds of transitions into the solved HMM. Then, we can get all the nodes and transitions of the new Markov model M' .

The second step is to initiate the transition matrix of the new model M' . We need to assign values to different transitions. The probability of a normal state transmitting to the abnormal state depends on the value of the uncertainty calculation. The recovering transitions depends on the design of the system or the workers. After we add these states and transitions to the matrix A , the value of a_{ij} based on operating environment needs to be adjusted, by multiplying with a coefficient. The matrix A and A' are given by:

$$\mathbf{A} = \begin{pmatrix} a_{00} & a_{01} & \dots & a_{0n} \\ a_{10} & a_{11} & \dots & a_{1n} \\ \vdots & \vdots & \ddots & \vdots \\ a_{n0} & a_{n1} & \dots & a_{nn} \end{pmatrix} \quad \mathbf{A}' = \begin{pmatrix} a_{00}(1-f) & a_{01}(1-f) & \dots & a_{0n}(1-f) & f \\ a_{10}(1-f) & a_{11}(1-f) & \dots & a_{1n}(1-f) & f \\ \vdots & \vdots & \ddots & \vdots & \vdots \\ a_{n0}(1-f) & a_{n1}(1-f) & \dots & a_{nn}(1-f) & f \\ r_{U0} & 0 & \dots & 0 & 1-r_{U0} \end{pmatrix}$$

In the new matrix, the last row and the last column are for the abnormal state U , the remaining rows and columns are for the normal states S_n . The probability from the normal states to the abnormal state is f , which is the value of the uncertainty characterization. We know that the error probability is the same for all the normal states, because uncertainty characterization f is the inner quality of the PLC ladder program. The recovering transition probability from abnormal state U to the initial state is r_{U0} , The system will remain in the abnormal state with a probability $1-r_{U0}$ in case of some uncertainty that can-not be recovered by the system or the operators. The transition probability between the normal states is $a_{ij}(1-f)$. a_{ij} is the transition probability between the normal states when the system is without uncertainty. The result of a_{ij} multiplied by the coefficient $1-f$ is the transition probability combined with the uncertainty characterization.

Theorem 2. The new transition matrix A' satisfies the property of regular Markov model

Proof. According to the solved HMM's matrix A : $a_{00} + a_{01} + \dots + a_{0n} = 1$

$$\begin{aligned} a'_{00} + a'_{01} + \dots + a'_{0n} &= a_{00}(1-f) + a_{01}(1-f) + \dots + a_{0n}(1-f) + f \\ &= a_{00} + a_{01} + \dots + a_{0n} - (a_{00} + a_{01} + \dots + a_{0n})f + f \\ &= 1 + f - f = 1 \end{aligned} \quad \square$$

The new Markov model combines the inherent property and the operating environment of the PLC system. It closely mimics the actual execution of the PLC in real life applications. Based on this model, we can analyze the runtime properties of the PLC system using model-checking technology.

3.5 Property Analysis with PRISM

After building the integrated Markov model, we can perform probabilistic model checking using PRISM [8]. First, we need to specify the Markov model in PRISM modeling language. Second, the rewards used to specify additional quantitative measures of interest should be added into the model. Finally, we specify the properties about the PLC system.

A PRISM model comprises a set of modules which represent different aspects of the system. The behavior of the PRISM model is specified by guarded commands. Synchronization between different modules can be implemented by augmenting guarded commands with action labels. We now describe the combined Markov model $\langle S', \pi', A', L' \rangle$ in PRISM manner. The module is derived from the transition matrix A' of the model. We declare a variable S , whose value range from $[0, n+1]$. Then, we build a label command for each arrow of the matrix A' on this variable.

$$[L_i]S = i \rightarrow (a'_{i0} : S' = 0) + (a'_{i1} : S' = 1) + \dots (a'_{in} : S' = n) + (f : S' = n + 1)$$

Then, we focus on extending the model with rewards. There are two kinds of rewards and the structure is:

rewards "reward_name" component **endrewards**

The component for state rewards is $guard : reward$ and the component for transitions is $[Label] guard : reward$. The $guard$ is a predicate over the state variables, $Label$ is the command label in each module, and the $reward$ is a real-valued expression that will assign quantitative measures we care about the states and the transitions that are satisfied with the guard.

In the domain of PLC system, the main properties we care about are the timing and the reliability of the system. So, we define two representative **rewards** for the model. The first is about the time property. It can be derived from the element T of the transition label L . We add a *reward* component $[L_i] true : T$ for each transition into the **reward**. The reward reflects the elapsed time of each transition in the model. The other is a state **reward**. We associate a number 1 to all the normal states with the *reward* component $S : 1$. These can be used to get the long-run availability of the system. We can also define other kinds of **reward**, such as power consumption of each transition and state.

After we describe the probabilistic model and rewards in PRISM manner, we can analyze some properties of the model. We can specify the properties in PRISM's specification language. We can use the P and S operator to specify quantitative time instant or long-run properties respectively. For example, we

can use the following specification to describe the execution state of the PLC system in the long-run (U denote the abnormal state of the system, S denote the normal state of the system):

Property 1: $S_{=?}[!U]$, the probability that the PLC system is not in failure in the long-run.

We can extend the above property with bounded variant of time. The following two properties specifications describe the reliability of the PLC system in a time period:

Property 2: $P_{=?}[G^{[0,t]} !U]$, the probability that the PLC system has no error during t time units.

We can also use the R operator to get the expected value defined in terms of a reward structure. We can get many performance measures of the system. Based on the two rewards defined above, we specify two properties about time:

Property 3: $R_{r,S^r=?}[C^{\leq t}]$, the cumulative time of the system being in normal states during the t time units.

Property 4: $R_{r,T^r=?}[F U]$: the cumulative time of the system passed before the first uncertainty state happens.

4 CASE STUDIES

We apply our framework to an actual industrial PLC system which was originally published in [15]. The system is shown in Fig. 4. It consists of three pistons (A, B, C) which are operated by solenoid valves (V_1, V_2, V_3). Each piston has two corresponding normally open limit sensor contacts. Three push buttons are provided to start the system (switch $SW1$), to stop the system normally (switch $SW2$) and to stop the system immediately in emergency (switch $SW3$). In a manufacturing facility [15], such piston systems can be used to load/unload parts from a machine table, or to extend/retract a cutting tool spindle, etc.

Piston A is controlled by valve V_1 . When the value of V_1 is 1 and the piston is at the left side, the piston will move from left to the right, and the movement is denoted by A^+ . When the value of V_1 is 0 and the piston is at the right side, the piston will move back to the left side, and the movement is denoted by A^- . We can see that the movement of A will affect the value of sensors (a_0, a_1). Initially, piston A is at the left side and the normally open sensor contact a_0 is closed. Hence, the value of a_0 is 1, a_1 is 0. When V_1 turns out to be 1 at this time, the piston will move to the right side (A^+). Then, the open sensor contact a_0 will break and the sensor contact a_1 will close. Hence, the value of a_0 changes to 0 and a_1 changes to 1, automatically. We can use this property to design ladder programs to control the system.

There are many PLC ladder programs that can be used to control this system. Let us see the example in Fig. 1. The ladder program is the same as the third ladder diagram in [15]. It contains four ladder rungs, which includes 8 primary

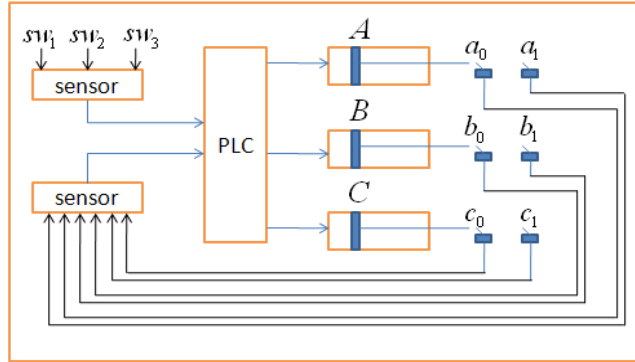


Fig. 4. Industrial automated system originally published in [15]

input contacts ($SW1, SW3, a_0, a_1, b_0, b_1, c_0, c_1$). $SW1$ and $SW3$ are changed by human operation, the others are automatically changed by movements of the pistons. We can construct an automata model for the operating principle of the PLC system. The state is denoted by the outputs of the ladder. The system has six normal states ($S_0, S_1, S_2, S_3, S_4, S_5$), and an uncertainty state corresponding to the all kinds of failure caused by the uncertainty characterization. The six normal states are the states of the Hidden Markov Model. In the Fig. 5, each normal state has some corresponding observations linked by dotted line. In this system, the four states have only one corresponding observation and state S_5 has 3 corresponding observations. The transitions are labeled with the primary input sequences. The time unit for each transition is 1 time unit except that the transition between state S_3 and S_4 is 6 time units. We introduce the control theory of the model with more detail below.

At first, the system is in a blank state named S_0 . In this state, the pistons stay at the left side. So, the values of $(a_0, a_1, b_0, b_1, c_0, c_1)$ are $(1, 0, 1, 0, 1, 0)$. In the first execution cycle of the PLC system, when the worker press the start switch($SW1$), the system is activated. The values of (V_1, V_2, V_3, T) are $(1, 0, 0, 0)$. The piston A will move to the right side(A^+). The values of $(a_0, a_1, b_0, b_1, c_0, c_1)$ change to $(0, 1, 1, 0, 1, 0)$. The second execution cycle, the values of (V_1, V_2, V_3, T) are $(1, 1, 0, 0)$. The piston B will move to the right side(B^+). The values of $(a_0, a_1, b_0, b_1, c_0, c_1)$ changes to $(0, 1, 0, 1, 1, 0)$. The third execution cycle, the values of (V_1, V_2, V_3, T) are $(0, 1, 1, 0)$. The piston A will move back to the left and the piston C will move to the right side simultaneously (A^-C^+). The values of $(a_0, a_1, b_0, b_1, c_0, c_1)$ changes to $(1, 0, 1, 0, 0, 1)$. If we press $SW3$, the pistons B and A will move to the left side (A^-B^-). The fourth execution cycle, since the value of c_1 and a_0 are 1, the timer instruction is activated. In the next five time units, the value for output (V_1, V_2, V_3, T) will not change. Then, the system will keep static for five time units. At the sixth time units, the values of (V_1, V_2, V_3, T) are $(0, 0, 0, 1)$. Then, Pistons B and C will move to the left side (B^-C^-). The values of $(a_0, a_1, b_0, b_1, c_0, c_1)$ changes to $(1, 0, 1, 0, 1, 0)$.

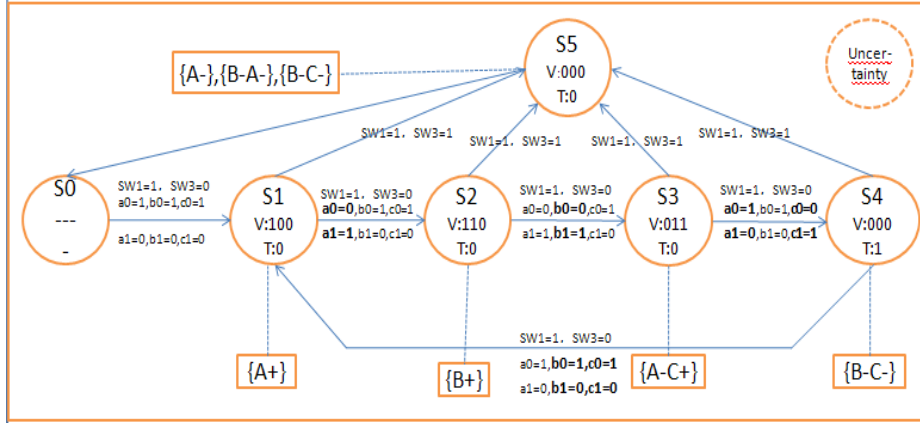


Fig. 5. work theory

We can build the Hidden Markov Model for the PLC system using the operating principle presented in Fig. 5. The states of the Hidden Markov Model are the normal states in the automata. The transition Label L between two hidden states is also derived from the figure. Element I is the eight primary inputs on the automata label. Element T is the time for each state transition of the original automata. The set of Observations is composed of the content in the rectangle of the Fig. 5. Hence, we can get the matrix A, B for the hidden markov model:

$$\mathbf{A} = \begin{pmatrix} S_0 & S_1 & S_2 & S_3 & S_4 & S_5 \\ S_0 & a_{00} & a_{01} & a_{02} & a_{03} & a_{04} & a_{05} \\ S_1 & a_{10} & a_{11} & a_{12} & a_{13} & a_{14} & a_{15} \\ S_2 & a_{20} & a_{21} & a_{22} & a_{23} & a_{24} & a_{25} \\ S_3 & a_{30} & a_{31} & a_{32} & a_{33} & a_{34} & a_{35} \\ S_4 & a_{40} & a_{41} & a_{42} & a_{43} & a_{44} & a_{45} \\ S_5 & a_{50} & a_{51} & a_{52} & a_{53} & a_{54} & a_{55} \end{pmatrix} \quad \mathbf{B} = \begin{pmatrix} A^+ & B^+ & C^+ & A^- & B^- & C^- & A^- & B^- & A^- \\ S_0 & b_{00} & b_{01} & b_{02} & b_{03} & b_{04} & b_{05} \\ S_1 & b_{10} & b_{11} & b_{12} & b_{13} & b_{14} & b_{15} \\ S_2 & b_{20} & b_{21} & b_{22} & b_{23} & b_{24} & b_{25} \\ S_3 & b_{30} & b_{31} & b_{32} & b_{33} & b_{34} & b_{35} \\ S_4 & b_{40} & b_{41} & b_{42} & b_{43} & b_{44} & b_{45} \\ S_5 & b_{50} & b_{51} & b_{52} & b_{53} & b_{54} & b_{55} \end{pmatrix}$$

The element a_{23} means the probability that the state S_2 transmit to state S_3 . The element b_{10} means the probability that we can observe that piston A moves to the right when the system is in state S_1 . The semantic of the other elements are the same.

There is a real-life application that the operating environment of the system is representative of one movement sequence $O: [A^+, B^+, C^+ A^-, B^- C^-]$. Hence, we need to solve the matrix A and B using the Baum-Welch algorithm or by simulation to get a maximum $P(O|M)$. Then, we need to combine the solved Hidden Markov Model M with the uncertainty state caused by the uncertainty characterization. We assume that the sampling error for each primary input contacts is 0.05, and the execution error for each ladder logic unit is 0.3. Using the method in Section 3.1, the uncertainty characterization of the PLC system is 9.80%. That means the system will go into an uncertainty state with probability

0.098 from any normal states. The system will recover to the initial state with probability 0.9 from the uncertainty state. The combined matrix is as follows:

$$\mathbf{A}' = \begin{pmatrix} & S_0 & S_1 & S_2 & S_3 & S_4 & U \\ S_0 & 0 & 0.902 & 0 & 0 & 0 & 0.098 \\ S_1 & 0 & 0 & 0.902 & 0 & 0 & 0.098 \\ S_2 & 0 & 0 & 0 & 0.902 & 0 & 0.098 \\ S_3 & 0 & 0 & 0 & 0 & 0.902 & 0.098 \\ S_4 & 0 & 0.902 & 0 & 0 & 0 & 0.098 \\ U & 0.9 & 0 & 0 & 0 & 0 & 0.1 \end{pmatrix}$$

For a more complex example, whose operating environment is representative of three kinds of observation sequences. The observation sequences $O_1, O_2,$ and O_3 are $[A^+, A^-], [A^+, B^+, B^- A^-]$ and $[A^+, B^+, A^- C^+, B^- C^-]$, respectively. In one thousand observations, O_1 appear 200 times, O_2 appear 200 times, and O_3 about 600 times. Then, we use the Baum-Welch algorithm for multiple observation sequences described in Section 3.3 and combined it with uncertainty characterization as follows:

$$\mathbf{A}' = \begin{pmatrix} & S_0 & S_1 & S_2 & S_3 & S_4 & S_5 & U \\ S_0 & 0 & 0.902 & 0 & 0 & 0 & 0 & 0.098 \\ S_1 & 0 & 0 & 0.722 & 0 & 0 & 0.180 & 0.098 \\ S_2 & 0 & 0 & 0 & 0.677 & 0 & 0.225 & 0.098 \\ S_3 & 0 & 0 & 0 & 0 & 0.902 & 0 & 0.098 \\ S_4 & 0 & 0.902 & 0 & 0 & 0 & 0 & 0.098 \\ S_5 & 0.902 & 0 & 0 & 0 & 0 & 0 & 0.098 \\ U & 0.9 & 0 & 0 & 0 & 0 & 0 & 0.1 \end{pmatrix}$$

We can describe the model of this example in PRISM as described in Section 3.5. We extend the model with rewards to help us analyze the system. The time property is derived from the time element T of the Markov model transition label L . In addition, we present a reward *power* for each state. The reward denote the power consumption for valid piston movements in each state.

At last, we can initiate some properties that we care about the system model. The first property is based on the reward *oper*, and denote the long term availability of the system. The second property is based on the reward *time*, and denote the first time that it is in failure. The third property is based on the reward *power*, and denote the valid power consumption during 1000 time units.

$$- S_{=?}[S < 6] \quad R_{\{?time\}}=?[F S = 6] \quad R_{\{?power\}}=?[C^{\leq 1000}]$$

We can do more experiments on the system presented in [15]. There are four ladder programs presented in that paper. Although the four PLC programs have the same sampling error and execution error probability, their inner property are different due to different arrangements of primary inputs and logic executions. We set the input sampling error probability to 0.05 and change the value of execution error probability, denoted by ε . Using the method presented in Section 3.1, we can obtain the uncertainty characterization for the four ladder programs in Table 1.

Table 1. Uncertainty Characterization

ladder	$\varepsilon = 0.01$	$\varepsilon = 0.05$	$\varepsilon = 0.1$	$\varepsilon = 0.15$	$\varepsilon = 0.2$	$\varepsilon = 0.25$	$\varepsilon = 0.3$
ladder1	0.67%	16.87%	13.67%	12.54%	10.23%	8.69%	5.51%
ladder2	0.70%	17.63%	13.89%	13.21%	11.82%	10.57%	6.62%
ladder3	1.08%	28.04%	25.36%	24.57%	22.03%	21.18%	9.80%
ladder4	1.15%	30.13%	26.51%	25.82%	24.65%	22.83%	10.94%

We have also devised random simulations to confirm the correctness of the uncertainty characterization. The values get by random simulations is presented in Table 2. A more visual representation for ladder3 is shown in Fig.6.

Table 2. Uncertainty Characterization By Random Simulation

ladder	$\varepsilon = 0.01$	$\varepsilon = 0.05$	$\varepsilon = 0.1$	$\varepsilon = 0.15$	$\varepsilon = 0.2$	$\varepsilon = 0.25$	$\varepsilon = 0.3$
ladder1	0.69%	17.02%	13.82%	12.66%	10.29%	8.75%	5.54%
ladder2	0.74%	17.82%	14.05%	13.35%	11.91%	10.63%	6.67%
ladder3	1.12%	28.22%	25.51%	24.71%	22.14%	21.27%	9.89%
ladder4	1.21%	30.37%	26.68%	25.98%	24.78%	22.95%	11.16%

In the following, we will show how operating environment affect the performance of one PLC system. We use the example described in Fig. 1, which is also the same as the third ladder diagram in [15]. We have described two operating environment examples above, which are denoted by two sets of observation sequences. We compare the three properties in these two operating environment with the help of PRISM. The results are shown in Table 3.

Table 3. Property Results

property	env	U=0.01	U=0.03	U=0.05	U=0.07	U=0.09	U=0.1	U=0.15	U=0.2	U=0.25
oper	1	0.989	0.968	0.947	0.928	0.909	0.900	0.857	0.818	0.783
oper	2	0.990	0.971	0.952	0.934	0.917	0.908	0.868	0.830	0.795
time	1	233	98	43	32	27	21	18	8	6
time	2	198	73	38	30	23	21	13	9	7
power	1	1462	1391	1325	1261	1200	1171	1032	908	797
power	2	1234	1181	1130	1081	1034	1011	903	804	714

From Table 3, we can see the long term availability for the second example (env=2) is always better than the first example. The first failure time for the second example come faster than the first one. The total number of valid piston movements for the first operating environment is bigger than the second. A more visual representation is shown in Fig.7,8,9 (the green line is for the second application environment). We can come to the conclusion that: for the same PLC

system, properties of the system are different in different application operating environment.

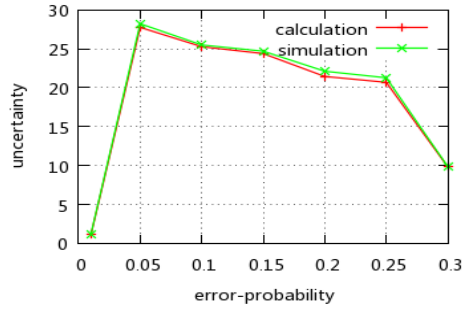


Fig. 6. uncertainty simulation

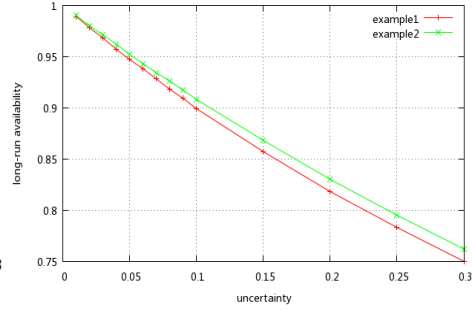


Fig. 7. Long-term availability

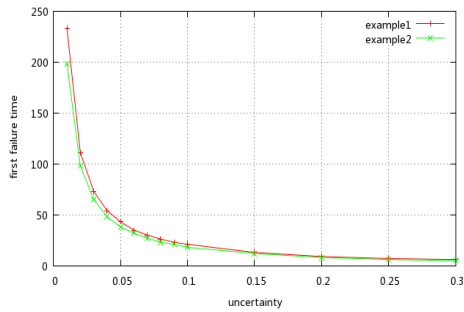


Fig. 8. Failure-Time

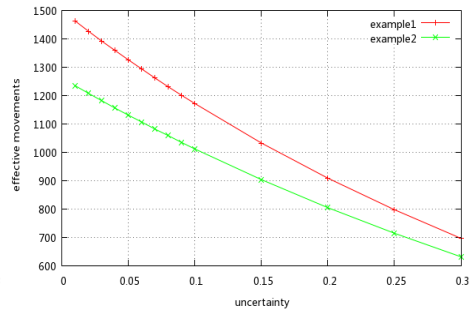


Fig. 9. Total-movements

5 Conclusion

This paper presents a symbolic framework for the formal analysis of PLC systems. The framework is based on the uncertainty calculation of the PLC system itself and the Hidden Markov Model of the whole PLC system. We solve the Hidden Markov Model by extending the Baum-Welch algorithm or simulation to reflect the particular operating environment of the system's application. With the help of PRISM we can perform probabilistic model checking on the combined Markov Model. The techniques used in our framework allows us to obtain expected performance measures of the PLC system, which are more accurate and closer to the real-world run-time state, by automated analytical means. We can compare the performance of different PLC system designs for an particular application. Our future effort focus on the automatic techniques that transfer PLC into Hidden Markov Model and a more accurate calculation of the uncertainty characterization of PLC.

References

1. Bauer, N., Engell, S., Huuck, R., Lohmann, S., Lukoschus, B., Remelhe, M., Stursberg, O.: Verification of PLC Programs Given as Sequential Function Charts, Lecture Notes in Computer Science, vol. 3147/2004, chap. Verification, pp. 517–540. Springer Berlin / Heidelberg (2004)
2. Baum, L., Sell, G.: Growth transformations for functions on manifolds. *Pacific Journal of Mathematics* 27(2), 211–227 (1968)
3. Canet, G., Couffin, S., Lesage, J.J., Petit, A., Schnoebelen, P.: Towards the automatic verification of PLC programs written in instruction list. In: Proc. IEEE Conf. Systems, Man and Cybernetics. pp. 2449–2454. Nashville, TN, USA (October 2000)
4. Dempster, A., Laird, N., Rubin, D., et al.: Maximum likelihood from incomplete data via the EM algorithm. *Journal of the Royal Statistical Society. Series B (Methodological)* 39(1), 1–38 (1977)
5. Ephraim, Y., Dembo, A., Rabiner, L.: A minimum discrimination information approach for hidden Markov modeling. *IEEE Transactions on Information Theory* 35(5), 1001–1013 (2002)
6. Frey, G., Litz, L.: Formal methods in PLC programming. In: Proc. IEEE Conf. Systems, Man, and Cybernetics. vol. 4, pp. 2431–2436 (October 2000)
7. Hanisch, H.M., Thieme, J., Luder, A., Wienhold, O.: Modeling of PLC behaviour by means of timed net condition/event systems. In: IEEE Int. Symp. Emerging Technologies and Factory Automation (EFTA). pp. 361–369 (1997)
8. Hinton, A., Kwiatkowska, M., Norman, G., Parker, D.: PRISM: A tool for automatic verification of probabilistic systems. In: Hermanns, H., Palsberg, J. (eds.) Proc. 12th International Conference on Tools and Algorithms for the Construction and Analysis of Systems (TACAS’06). LNCS, vol. 3920, pp. 441–444. Springer (2006)
9. H.X.Willems: Compact timed automata for PLC programs. Technical report csi-r9925, University of Nijmegen, Computing Science Institute (1999)
10. International Electrotechnical Commission (IEC): IEC 61131-3 Standard (PLC Programming Languages), 2.0 edn. (2003)
11. Johnson, T.L.: Improving automation software dependability: A role for formal methods? *Control Engineering Practice* 15(11), 1403 – 1415 (2007)
12. Levinson, S., Rabiner, L., Sondhi, M.: An introduction to the application of the theory of probabilistic functions of a Markov process to automatic speech recognition. *The Bell System Technical Journal* 62(4), 1035–1074 (1983)
13. Rabiner, L.: A tutorial on hidden Markov models and selected applications in speech recognition. *Proceedings of the IEEE* 77(2), 257–286 (1989)
14. Rausch, M., Krogh, B.H.: Formal verification of PLC programs. In: Proc. American Control Conference (1998)
15. Venkatesh, K., Zhou, M., Caudill, R.J.: Comparing ladder logic diagrams and petri nets for sequence controller design through a discrete manufacturing system. *IEEE Transactions on Industrial Electronics* 41(6), 611–619 (December 1994)
16. Younis, M.B., Frey, G.: Formalization of existing PLC programs: A survey. In: Proc. Computational Engineering in Systems Applications (CESA) (2003)
17. Zhang, H., Jiang, Y., Hung, W.N.N., Yang, G., Gu, M.: On the uncertainty characterization of programmable logic controllers (2011), http://web.cecs.pdx.edu/~song/research/paper_hehua_final_2.pdf