



HAL
open science

GASP: from Modular Programming to Distributed Execution

Stéphane Donikian, Alain Chauffaut, Thierry Duval, Richard Kulpa

► **To cite this version:**

Stéphane Donikian, Alain Chauffaut, Thierry Duval, Richard Kulpa. GASP: from Modular Programming to Distributed Execution. Computer Animation 1998, 1998, Philadelphie, United States. <inria-00534149>

HAL Id: inria-00534149

<https://inria.hal.science/inria-00534149v1>

Submitted on 12 Nov 2010

HAL is a multi-disciplinary open access archive for the deposit and dissemination of scientific research documents, whether they are published or not. The documents may come from teaching and research institutions in France or abroad, or from public or private research centers.

L'archive ouverte pluridisciplinaire **HAL**, est destinée au dépôt et à la diffusion de documents scientifiques de niveau recherche, publiés ou non, émanant des établissements d'enseignement et de recherche français ou étrangers, des laboratoires publics ou privés.



HAL Authorization

GASP: from Modular Programming to Distributed Execution

Stéphane Donikian ^{*}, Alain Chauffaut [†], Thierry Duval [‡], Richard Kulpa [†]
IRISA, Campus de Beaulieu, F-35042 RENNES, France
[donikian, chauffau, tduval, rkulpa]@irisa.fr

Abstract

We present in this paper a generic animation and simulation platform which integrates the different animation models: descriptive, generative and behavioural models. The integration of these models in the same platform allows to offer to each dynamic entity a more realistic and a richer environment, and thereby to increase possible interactions between an actor and its environment. Therefore we describe the kernel of the platform, then we explain how it is used from the programmer point of view and we illustrate its use in the field of driving simulation.

1. Introduction

The objective of animation is the computation of an image sequence corresponding to discrete time states of an evolving system. Animation consists at first in expressing relationships linking successive states (specification phase) and then making an evaluation of them (execution phase). Motion control models are the heart of any animation/simulation system that determines the friendliness of the user interface, the class of motions and deformations produced, and the application fields. Motion control models can be classified into three general families: descriptive, generative and behavioural models. Descriptive models are used to reproduce an effect without any knowledge about its cause. This kind of models includes key frame animation techniques and procedural methods. Unlike preceding models, generative models offer a causal description of objects movement (describe the cause which produces the effects), for instance, their mechanics. In this case, the user control consists in applying torques and forces on the physical model. Thus, it is not easy to determine causes which can impose some effects onto the mechanical structure to

produce a desired motion. Two kinds of tools have been designed for the motion control problem: loosely and tightly coupled control. The loosely coupled control method consists in automatically computing the mechanical system inputs from the last value of the state vector and from the user specification of the desired behaviour, while in the other method, the motion control is achieved by determining constraint equations and by inserting directly these equations into the motion equations of the mechanical system. Motion control tools provide the user with a set of elementary actions, but it is difficult to control simultaneously a large number of dynamic entities. The solution consists in adding a higher level which controls the set of elementary actions. This requires making a deliberative choice of the object behaviour, and is done by the third model named *behavioural*. The goal of the behavioural model is to simulate autonomous entities like organisms and living beings [3, 4]. A behavioural entity possesses the following capabilities: perception of its environment, decision, action and communication [11, 5, 1]. Most of behavioral models have been designed for some particular examples in which possible interactions between an object and its environment are very simple: sensors and actuators are reduced to minimal capabilities. Another point which is generally not treated is the notion of time.

In this paper, a general animation and simulation platform is presented, which integrates these three different motion control models. The next section presents the objectives of this platform, then its kernel is presented in details. Finally we show how it should be used from a programmer point of view and we illustrate this on a driving simulation application.

2. Our Objective: a General Animation and Simulation Platform

To perform a simulation composed of a large set of dynamic entities evolving and interacting in a complex environment, we need to implement different models: environment models, mechanical models, motion control models, behavioural models, sensor models, geometric models and

^{*} CNRS: Centre National de la Recherche Scientifique

[†] INRIA: Institut National de Recherche en Informatique et Automatique

[‡] ENSAI: Ecole Nationale de la Statistique et de l'Analyse de l'Information

scenarios. In a system mixing different entities defined by different kinds of models (descriptive, generator and behavioral), it is necessary to take into account the explicit management of time, either during the specification phase (memorization, prediction, action duration) or during the execution phase (synchronization of objects with different internal times) [10]. Nevertheless, in a simulation, all simulated entities do not require the same level of realism. The advantage of descriptive model is its low cost, while disadvantages of generative model are its high frequency and its important computation cost. Then, it is interesting to mix these different models in a same system to benefit from advantages of each motion control model; GASP intends to answer to this requirement, using an object oriented programming methodology [7].

As we have to simulate universes with a great number of entities, a lot of CPU resources is required. So, in order to reduce the computation time we need to distribute these entities over a network on different computers or on different processors in the same machine like in the VEOS project [6]. VEOS (Virtual Environment Operating Shell) manages a set of entities distributed over an heterogeneous network of workstations, sharing a common database, in an asynchronous way. Our simulation platform manages also data communication between cooperative processes distributed on an heterogeneous network of workstations and parallel machines, furthermore it takes into account real time synchronization between modules with very different calculation frequencies.

The main objective of GASP is to give the ability to simulate different entities composed themselves of different modules in different hardware configurations, without any change for the animation modules. When someone specifies a module, he does not have to make any hypothesis on the network location of other modules he must interact with.

3. The Kernel of GASP

3.1. The basic kernel classes

The kernel of our simulation platform offers many classes designed for an easy and safe programming of new simulation modules. These main classes are *PsSimulObject*, its attributes (*PsInput*, *PsOutput* and *PsCtrlParam*) and the basic data types of the platform (*PsType* and its heirs). Now, let see what do these classes look like.

The *PsSimulObject* class

The *PsSimulObject* class is the main class of our simulation platform kernel. It can be viewed as the container of a calculation function $Y = F(X, CP)$, where X is the set of inputs, Y the set of outputs and CP the set of Control Parameters

(cf figure 1). X and Y determine the data-flow from and to other objects, which can be either in the same either in another process. Each object has its own frequency and is activated periodically to compute its new state. At each simulation step, the new input values are used to compute the outputs. This requires connecting each input of the object to an output of another object. This data dependency can be static or dynamic, as we cannot know, at the beginning of a simulation, which objects will interact later. The figure 9 illustrates static data dependencies in a usual entity. To take into account dynamic data dependencies, the number of inputs of an object can change during the simulation, in contrast to the static number of outputs.

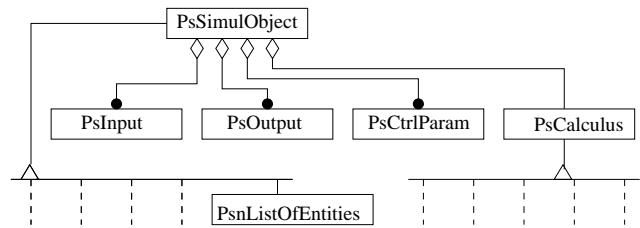


Figure 1. The OMT Diagram of *PsSimulObject*.

The *PsType* class

All the basic types handled by the platform are inherited from the *PsType* abstract class. This ensures that those basic objects can be assigned to another instance of the same type. Then, there are some specialisation of *PsType* such as *PsString*, *PsReferential*, or *PsNumerical*.

For example, *PsNumerical* instances authorize usual (overridden) C++ operators such as addition, subtraction, division, multiplication, negation, unary and postfix increment and decrement operators ($--$ and $++$), comparison operators ($<$, $>$, \dots) and so on.

These concrete subclasses of *PsType* are the ones the attributes (*PsInput*, *PsOutput* and *PsCtrlParam*) can handle, for example: *PsInteger*, *PsDouble*, *PsString*, *PsRefHPR* or *PsList*.

The *PsInput* class

A *PsInput* instance must be linked to a *PsOutput* one, in order to obtain input values for calculation. This can be done with the `connect` method of the *PsInput* class. This allows the data-flow between the two objects.

When such a link is realized, the *PsSimulObject* only has to ask the *PsInput* to give him a value with the `get` method: the value is automatically obtained by the *PsInput* object from the *PsOutput* it is linked to. This value can then be used by the *PsSimulObject* object to produce a new output.

The *PsOutput* class

We have just seen that a *PsOutput* instance can be linked to a *PsInput* one. This output is calculated by another *PsSimulObject*, which gives it new values using the `set` method.

The *PsCtrlParam* class

This class is a little bit like the *PsInput* one: the value of one of its instances can be obtained using its `get` method. The main difference is that we consider that a *PsCtrlParam* is local to a *PsSimulObject* object, so that there is no data-flow between such a *PsCtrlParam* instance and another object. Another difference is that the value of a *PsCtrlParam* can also be modified, using its `set` method, like a *PsOutput* object.

Typing the data for the computing

In order to offer the greatest security for programmers, our attributes (*PsInput*, *PsOutput* and *PsCtrlParam*) are strongly typed: they own an instance of an heir of *PsType*, which can only be used to be assigned to such another object of the same type (with a `get`), or to which such another object of the same type can be assigned (with a `set`).

Then, to produce computation between data of different types, for example instances of *PsInteger* and *PsDouble*, a programmer has to use basic C++ types such as `int`, `long`, `float` or `double`. We have chosen to do so because we wanted only an explicit mixing of types instead of an implicit mixing, which could have cause a lot of trouble for the modules programmers.

3.2. The implementation

The *PsnAttribute* class and its heirs

The *PsInput*, *PsOutput* and *PsCtrlParam* classes inherit from the *PsnAttribute* abstract class, which factorizes a reference to a *PsSimulObject* (the “owner” of the *PsnAttribute*), and the string representing the type of the attribute it encapsulates. We have seen that this type must be one of the kernel platform base classes, an heir of the *PsType* class.

In order to be easily manipulated by the basic *PsSimulObject* instances, the *PsOutput* class can't be a template one. So, it is again a virtual class, which can't define any of the virtual methods inherited from *PsnAttribute*, because it only knows that the data it will encapsulate will inherit from *PsType*: this is in order to avoid bad manipulations between incompatible types.

The most interesting method in the *PsOutput* class is the static one: `createPsOutput` which is able to create a concrete output. This concrete output will be a template heir of this *PsOutput* class: *PsOutput* $\langle T \rangle$ where T is a

heir of *PsType*: a *PsOutput* $\langle T \rangle$ will own a reference to a *PsnType* $\langle T \rangle$. This *PsOutput* $\langle T \rangle$ will then be able to be connected to a *PsInput* $\langle T \rangle$ (with the `connect` method). The same mechanism is also used for the *PsInput* and *PsCtrlParam* classes.

The main interest of our template classes is that it ensures a total type compatibility between objects linked together, for example a *PsInput* $\langle PsDouble \rangle$ can only be linked with a *PsOutput* $\langle PsDouble \rangle$, and if it is not, it won't work. It allows too the module programmer to easily use these attributes, what has already been explained.

Because each simulation object has its own frequency, each attribute owns two temporal informations: the date of its last value and its production frequency. Sometimes there must be some adaptations between objects: one “client” object can ask a “server” for a value at a precise time that is not the current time in the server. It can be so because:

- the server has already produced values with more recent dates;
- the client wants an old value (for example the value at the precedent simulation step);
- both the two precedent reasons.

To handle this temporal adaptation between “client” and “server” objects, we need to interpolate and extrapolate attribute values. This is possible thanks the *PsnType* class, as described in the next subsection.

Encapsulation of the basic kernel classes

Concrete *PsNumerical* classes are in fact instantiations of the template *PsNumerical* $\langle T \rangle$, where T stands for a basic C++ numerical type such as `int` and `double`:

```
typedef PsInteger PsNumerical <int>;
typedef PsDouble PsNumerical <double>;
```

To encapsulate a *PsType*, we use the *PsnType* class, which is an abstract class that allows the interpolation of the encapsulated data, if the concrete heir of *PsType* supports it.

This class uses a queue (FIFO data structure) to store old values of the data (the values at t , $t - \delta t$, ..., $t - n\delta t$, where t is the current time of the controller of this data, and where δt is the inverse of the frequency of the controller). Thanks to this queue, it is possible to interpolate or extrapolate values not present in the queue, by an adapted approximation.

The concrete classes are instances of the subclass *PsnType* $\langle T \rangle$ where T stands for an heir of *PsType*. In fact, all the concrete instances of *PsnType* $\langle T \rangle$ are obtained with a simple `typedef` declaration:

```
typedef PsInteger PsnType <PsInteger>;
typedef PsnRefHPR PsnType <PsRefHPR>;
```

3.3. Distribute the simulation

The data and the streams on the network

All the basic kernel classes have been designed for allowing their transport upon the network or between different processes, between different applications: all the *PsType*, *PsnType*, *PsnAttribute* classes inherit from a *PsnFlowable* abstract class, which defines two pure virtual methods *extract* and *insert*, called by the streams insertion and extraction operators: so, all its concrete subclasses will be able to be inserted into any heir of the C++ *ostream* class, and extracted from any heir of the C++ *istream* class, as they will have to implement the *insert* and *extract* methods. This allows to easily distribute the simulation.

The effective distribution

A configuration file is used for each simulation to define what dynamic objects are used and on which hardware. As several processes can be used, this file describes first which processors are used, and then each process is named and located on a processor (more than one process can be located on the same processor). As the modules of an entity can be located in separate processes, the location of each module is specified in the configuration file. In the example of the figure 2, *driver1* is an instance of the class *CAR_DRIVER* and also a part of the entity named *car1*. *driver1* is located on the process *P2* which is himself located on the machine *goudurix*. Each instance can be created with specific initial data, given in the configuration file. For example, at the creation of *geomechal*, a geometric model is associated (an *OpenInventor* file) and an initial location is given (X, Y, Z and orientation values).

```
//GASP configuration file
processes:
//machine_name process_name
indefix      P1
goudurix    P2
onyx        P3
simulation_objects:
//FatherName ClassName      Name Process Frequency
root        ENTITY          car1
root        VISUALIZATION   visu    P3      50
car1        HUMAN_VISION    vision1 P1      10
car1        CAR_DRIVER      driver1 P2      10
car1        CAR_CONTROLLER  llc1    P2     100
car1        CAR_GEO_MECHA   geomechal P1     100
//Initial values
parameters:
geomechal  data/car.iv 10.0 0.0 20.0 90.0
visu       data/scene.iv
driver1    1
```

Figure 2. An example of configuration file.

3.4. Client/Server Mechanism

As objects are distributed upon the network, we call reference object (*PsnReference* class), the reference instance as defined in the configuration file. During the simulation, the inputs of an object must be supplied with values of outputs of another object which may be located in another process. Rather than defining specifically how each reference object must send the new values of its outputs to interested reference object, an automatic mechanism has been preferred, which is based on a client/server mechanism. For each process on which the inputs of objects requires the value of the outputs of another reference object not located in the same process, an object which contains only the outputs and control parameters of the reference object is created: we call it a mirror object (*PsnMirror* class). Both *PsnReference* and *PsnMirror* classes inherit from the *PsnCommunicating* class, as shown in figure 3. The continuous communication between two agents can be managed by a two steps mechanism. Firstly, the reference object communicates to its mirror the new value of its outputs and control parameters. Secondly, the object interested by outputs or control parameters of another object can contact the embodiment of this object in its own process.

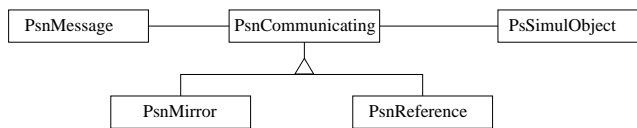


Figure 3. OMT Diagram of the class *PsnCommunicating*.

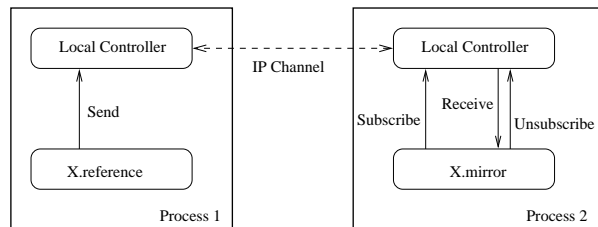


Figure 4. Communication between reference and mirror objects.

As each reference object runs at its own internal frequency, the data-flow communication channel must include all the mechanisms to adapt to the local frequency of the producer and of consumers (over-sampling, sub-sampling, interpolation and extrapolation). With the intention of minimizing communications between processes, the frequency

of the communication (f_C) between a reference object and each of its mirrors is computed especially for each mirror, and it depends on two kinds of information: the frequency of the reference object (f_R) and the maximum frequency of the reference objects located on the same process than the mirror (f_M). If $f_R < f_M$ then $f_C = f_R$ else f_C is the lowest sub-multiple of f_R which is higher than f_M (cf figure5).

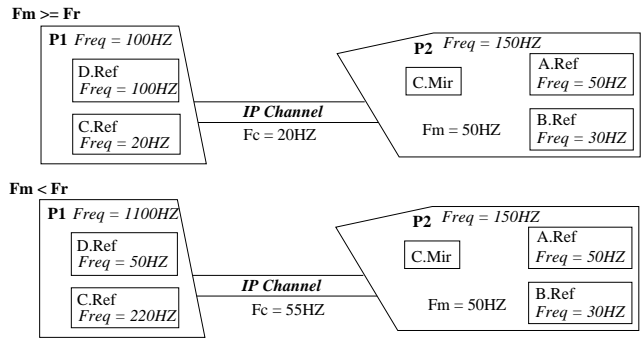


Figure 5. Communication frequencies between a reference object C and its mirrors.

Figure 6 illustrates the simulation sub-trees existing during a simulation on each process, on the basis of the configuration file described in figure 2.

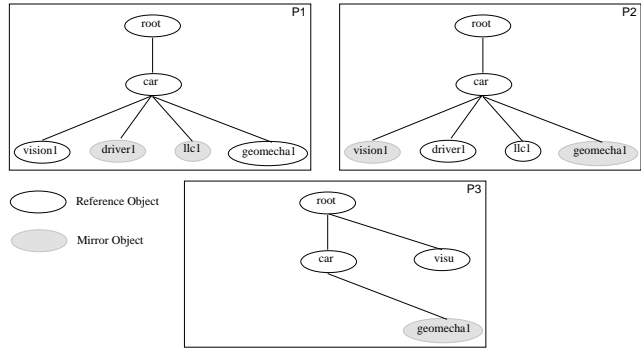


Figure 6. Simulation sub-trees on different processes.

This approach is quite different from the one chosen by NPSNET [13] which enables cooperative work all over the internet by sending “ghosts” (mirror representations of the references), with simplified behaviour regularly synchronized, to interested applications (dead-reckoning and synchronization multicasting). Our data-flow approach is more efficient for real-time interaction as it allows a better synchronization. Nevertheless, it needs a larger bandwidth net-

work, so it limits our cooperative capabilities to workstations and parallel machines over the same local area network.

3.5. Local Controllers

Each process owns its own local controller to manage the synchronization and the execution of all its reference objects. The frequency of the Local Controller is the lowest common multiple of its reference objects frequencies. This controller follows a regular cycle composed of six different phases:

1. receive inter-processes messages;
2. ask each addressee object to receive its messages;
3. ask each activated reference object to compute a simulation step;
4. ask the same reference objects to emit a message containing the new values of their outputs;
5. ask each object to emit its event based messages;
6. emit inter-process messages.

The *IPChannel* class is used to manage inter-process communication. It regroups all messages that must be exchanged between two processes (messages between reference and mirror objects, and sporadic events). Insertion and extraction operators for the *PsnMessage* class are available, allowing the insertion of any *PsnFlowable* object into a *PsnMessage*, and the extraction of any *PsnFlowable* object from a *PsnMessage*. This is possible because the *PsnMessage* class owns an input stream and an output stream. The global synchronization between local controllers is assumed by a global controller which performs a global synchronization every K seconds (K is an integer ≥ 1).

3.6. Interprocess Communication

The distribution of the entities in different processes and their communication is realized using PVM (Parallel Virtual Machine) [12]. PVM is a software package which permits to develop parallel programs executable on networked Unix computers. It allows a heterogeneous collection of workstations and supercomputers to function as a single high-performance parallel machine. It is portable and runs on a wide variety of modern platforms. In PVM, we describe an application as a collection of cooperating tasks. Tasks access PVM resources through a library of standard interface routines. These routines allow the initiation and termination of tasks across the network as well as communication and synchronization between tasks. The PVM message-passing primitives involve strongly typed constructs for buffering and transmission. Communication constructs include those for sending and receiving data structures. In our case, the global controller spawns a process with a local controller

on the different workstations declared in the configuration file.

4. Module Programming

4.1 Introduction

In this section, we will illustrate what should be performed by a programmer to describe his own module in GASP. Each module should be described by two classes: the first one, which should be derived from the *PsSimulObject* Class, defines the interface of the module with the external world, while the second class, which should be derived from the *PsCalculus* Class, specifies how to perform a simulation step. The figure 7 shows attributes and methods of the two classes to be specialized by a programmer to define a specific module.

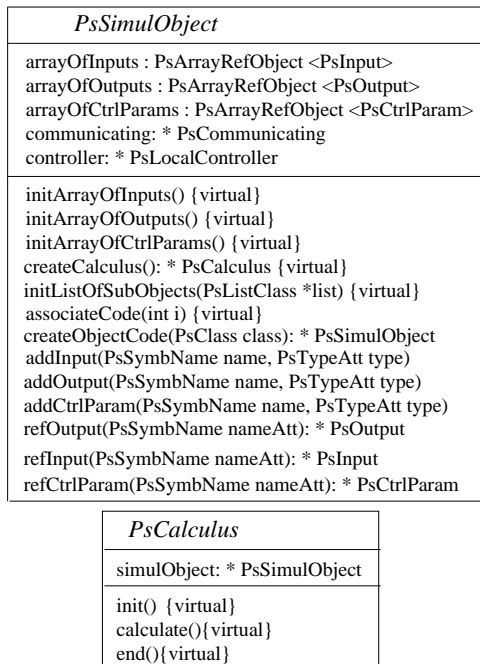


Figure 7. Attributes and methods of *PsSimulObject* and *PsCalculus* classes.

4.2 Defining one's own specialization of *PsSimulObject*

The class *PsSimulObject* contains five virtual methods that must be defined for each specialization. Three of them (*initArrayOfInputs()*, *initArrayOfOutputs()* and *initArrayOfCtrlParams()*) are used to declare the initial

sets of inputs, outputs and control parameters, by using the three methods *addInput*, *addOutput* and *addCtrlParam*. The number of inputs can be dynamically modified during the simulation unlike the one of outputs, so it is necessary to define all outputs in the method *initArrayOfOutputs()*. Each attribute must be specified by a symbolic name, a type of data and an interpolation level (only for inputs):

```
void myObject::initArrayOfInputs () {
    addInput(new PsInput<PsDouble> ("distance",
                                    MAX_INTERPOL));
    ...
}
void myObject::initArrayOfOutputs () {
    addOutput(new PsOutput<PsBoolean> ("brake_indicator");
    ...
}
```

The two other methods are used to declare sub-objects (*initListOfSubObjects()*) and to create and make a link to a *PsCalculus* object (*createCalculus()*).

```
PsCalculus *myObject::createCalculus () {
    return new myObjectCalculus ();
}
```

4.3 Defining one's own calculation function

Due to the reference/mirror mechanism, the *PsSimulObject* class delegates to the *PsCalculus* class the calculation of the simulation steps, which avoids the duplication of the calculation function on the mirror objects. The *PsCalculus* class is used to define the calculation function by using three methods *init()*, *calculate()* and *end()*, which correspond to the initialization, the simulation step and the termination of the simulation algorithm.

To connect an input of a module to an output of another module, we should be sure that the outputs of the second one has already been created. This is why we have to perform the first connections in the *init()* method of the *PsCalculus* object. As inputs can be created at anytime during the simulation, their connection can also be performed or modified whenever we want during the simulation.

```
Class myObjectCalculus: public PsCalculus {
public:
    void init ();
private:
    PsInput<PsInteger> *v;
};

void myObjectCalculus::init () {
    v->connect("another_object", "an_output",
             MAX_INTERPOL);
    ...
}
```

In this connection, the symbolic name of the other object and of its output are given, but other kinds of connection are available, especially by using a reference instead of a symbolic name either for the object or for the output ¹. The

¹This is useful when we use the simulation tree to search an object

level of interpolation indicates if data will be estimated or if the preceding data will be given at intermediate times. Four levels of interpolation are available: none, linear, quadratic and cubic. This allows to estimate the value of the output (only for *PsFloat* and *PsDouble* types of data) at other dates than the produced one ².

4.4 Creating sub-objects

Each module can itself create some sub-objects, which will become its sons in the simulation tree. Two virtual methods of the *PsSimulObject* class should be redefined by the programmer:

```
initListOfSubObjects(PsListClass *list) {virtual}
associateCode(int i) {virtual}
```

Let us present an example of how these methods are used:

```
Class myObject: public PsSimulObject {
public:
    void initListOfSubObjects(PsListClass *);
    PsSimulObject *associateCode (int);
Private:
    Enum sons {SUBOBJ1, SUBOBJ2}
};

void myObject::initListOfSubObjects (PsListClass *list) {
    list->addClass(SUBOBJ1, "Subobj1");
    list->addClass(SUBOBJ2, "Subobj2");
}

PsSimulObject *myObject::associateCode (int i) {
    switch (i) {
        case SUBOBJ1 : return new subObj1 ();
        case SUBOBJ2 : return new subObj2 ();
        // .....
    }
    return NULL;
}
```

At the beginning of a simulation, sons of the root of the simulation tree should be created. To associate objects to the root, the programmer has to use the same two methods in the *PsTheListOfEntities* class.

5. Example of Behavioural Simulation

5.1 A Driving Simulation Example

GASP has been used for several projects in the field of driving simulation:

Praxitele Project. Simulation of a fleet of small electric vehicles, which can be automatically driven on specific journeys: platooning, parking [2].

²This is useful to manage communication delay between processes

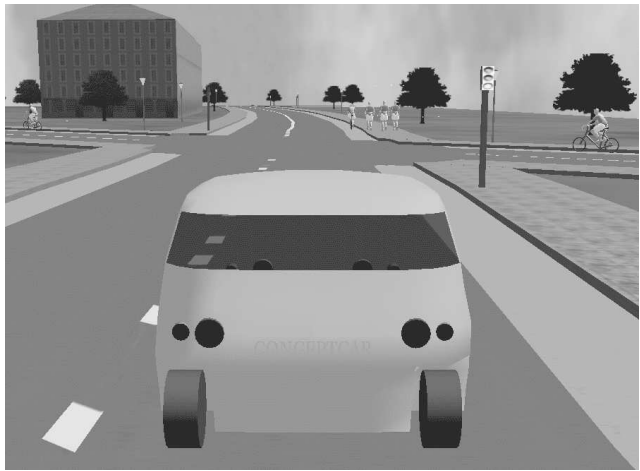


Figure 8. One shot from a simulation.

DIATS. DIATS is a research project sponsored by the European Community. It aims at defining and studying some ATT (Advanced Transport Telematics) scenarios on interurban motorways. As a matter of fact the problems of congestion arising from an increasing number of vehicles on the roads have focused Government Policies towards a more efficient management of the existing road network. We are currently coding different ATT systems including AID (Automatic Incident Detection), variable speed limits, ramp metering, AICC (Autonomous Intelligent Cruise Control), inside GASP to be able to evaluate the impact of each of them on congestion problems.

Multimodal Traffic Simulation in Urban Cities. An implementation of a virtual driver has been performed and tested (cf figure 8). We are currently working on an interactive behaviour modelling system able to specify and generate different kinds of virtual drivers for GASP (car driver, truck driver, bicycle driver, pedestrians...).

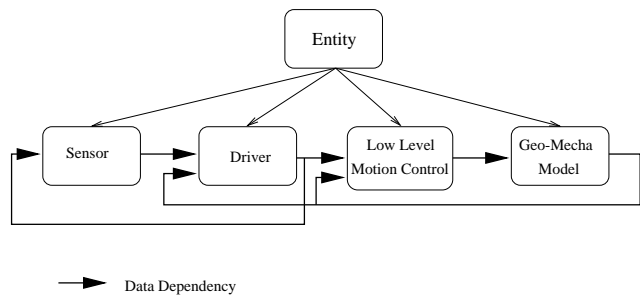


Figure 9. Structural view of a usual entity.

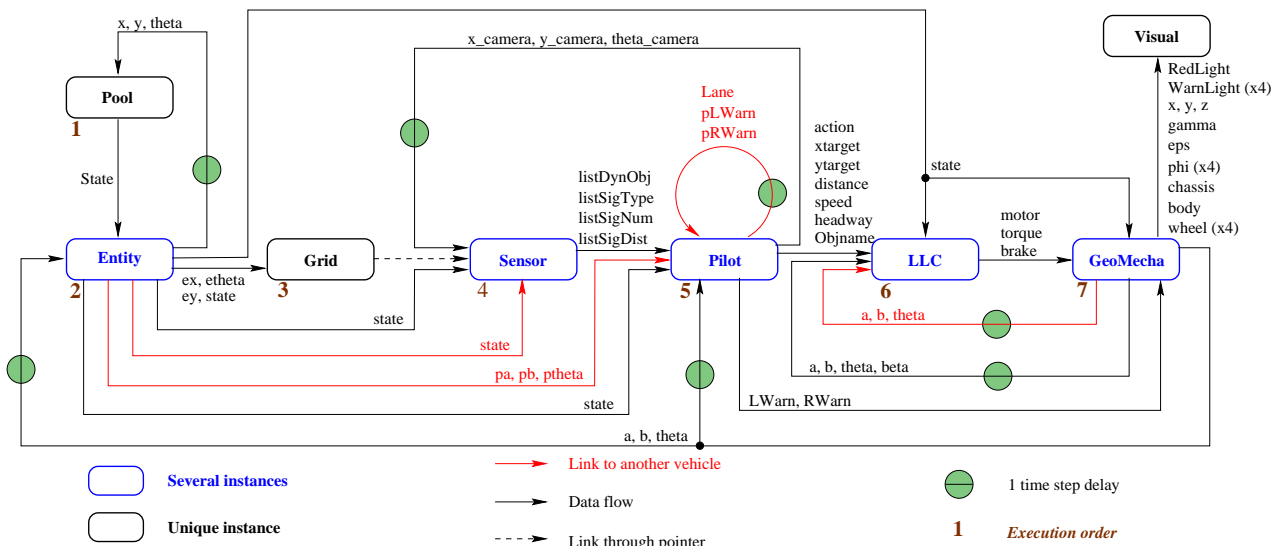


Figure 10. Architecture of the automated car driver simulation loop.

Each entity is composed of several modules. For example, a car is composed of five different kinds of Modules, as shown in figure 9.

In the field of real-time animation or simulation, it is impossible to completely simulate human vision and the building of a mental model of the environment. Therefore, the automatic driver gets a local view of its environment through a sensor which is in fact a filter of the whole environment database. Two different types of objects are taken into account in the sensor: static objects (buildings, road signals, traffic lights) and dynamic objects (cars, trucks, bicycles). Objects that would be hidden by closer objects are eliminated thanks to a Z-buffer algorithm. The goal of the decisional model (driver) is to produce a target point and an output action with parameters for the low-level controller. These actions include a normal free driving mode at a desired speed, a following mode and different breaking modes. The goal of the low-level controller is to produce a guidance torque, an engine torque and a brake pedal pressure as inputs for the mechanical model. The mechanical aspect of the car is modelled with DREAM [8], our rigid and deformable bodies modeling systems. By means of Lagrange's equations, DREAM computes exact motion equations in a symbolic form for analysis and then generates numerical C++ simulation code for GASP.

The module which represents the behavioural model is presented in more details to illustrate the capabilities and the usability of GASP. This module is connected to different other modules as shown in the figure 10. The behavioural model (Pilot module) receives different lists from the sensor indicating static and moving visible objects (cf figure 11). From the geo-mechanical module (generative model), it

Name	Type	Meaning
a	PsDOUBLE	X coordinate of the car
b	PsDOUBLE	Y coordinate of the car
theta	PsDOUBLE	orientation of the car
ListDynObj	PsLIST<PsSTRING>	list of moving object names)
ListSigType	PsLIST<PsINTEGER>	list of vertical road-signs types
ListSigNum	PsLIST<PsINTEGER>	list of vertical road-signs number
ListSigDist	PsLIST<PsFLOAT>	list of distances to vertical road-signs
pa	PsDOUBLE	X coordinate of another vehicle
pb	PsDOUBLE	Y coordinate of another vehicle
ptheta	PsDOUBLE	orientation of another vehicle
lane	PsINTEGER	lane of another vehicle
pLWarn	PsINTEGER	left turning light of another vehicle
pRWarn	PsINTEGER	right turning light of another vehicle

Figure 11. Inputs of the Pilot object.

receives also the current location of its own vehicle, but also of other visible vehicles. The visual class is a generic Performer viewer which is able to animate the geometric model of each dynamic object. That is the reason why we have added some specific types of data into GASP, like *PsReferential* heirs with different degrees of freedom in rotation and translation or *PsSwitch*.

The main outputs of the driver (cf figure 12) describe actions which should be performed by the low level motion controller, like for example: "Follow the preceding vehicle with a desired headway of 0.8s and switch on the left turning light".

The control parameters (cf figure 13) are used to characterise each embodiment of the class, but they can be modified during the simulation like the status parameter which switches from idle to semi-active, then to active and finally to terminated. Another status reachable at anytime is accident, because an accident can occur due to the responsibility of

Name	Type	Description
action	PsINTEGER	action to perform
distance	PsDOUBLE	stopping distance
speed	PsDOUBLE	desired speed
headway	PsDOUBLE	desired headway
Objname	PsSTRING	name of the vehicle to follow
xtarget	PsDOUBLE	X coordinate of the target
ytarg	PsDOUBLE	Y coordinate of the target
LWarn	PsINTEGER	left turning light
RWarn	PsINTEGER	right turning light
x_camera	PsDOUBLE	X coordinate of the visual sensor
y_camera	PsDOUBLE	Y coordinate of the visual sensor
theta_camera	PsDOUBLE	orientation of the visual sensor
lane	PsINTEGER	lane number

Figure 12. Outputs of the *Pilot* object.

Name	Type	Description
status	PsINTEGER	status of the vehicle
desired_speed	PsDOUBLE	desired speed of the vehicle
desired_headway	PsDOUBLE	desired headway of the vehicle

Figure 13. Control Parameters of the *Pilot* object.

another vehicle.

The heir of the *PsCalculus* object implements the decisional model of the car driver. It is automatically generated by a tool which transforms a model described as a Hierarchical Parallel Transition System (HPTS) into its C++ implementation inside GASP [9]. This model is both cognitive and reactive including synchronous data-flow and asynchronous event based communications.

6. Conclusion.

In this paper, we have presented GASP: a General Animation and Simulation Platform which enables a modular specification of animation and which takes the execution and synchronization tasks from the activity of a module programmer. This platform enables:

- modular specification of simulations;
- integration of descriptive, generative and behavioural models;
- massive distribution of objects upon heterogeneous workstations;
- data-flow communication with frequency adaptation mechanisms;
- synchronization of the distributed objects;

without any trouble from the module programmer's point of view. For the DIATS project we have performed some simulations including 2800 of such vehicles evolving on a 6 Km long highway road.

References

- [1] O. Ahmad, J. Cremer, S. Hansen, J. Kearney, and P. Willemssen. Hierarchical, concurrent state machines for behavior modeling and scenario control. In *Conference on AI, Planning, and Simulation in High Autonomy Systems*, Gainesville, Florida, USA, 1994.
- [2] B. Arnaldi, R. Cozot, S. Donikian, and M. Parent. Simulation models for the french praxitele project. In *Transportation Research Board Annual Meeting*, Washington DC, USA, Jan. 1996.
- [3] N. I. Badler, C. B. Phillips, and B. L. Webber. *Simulating Humans : Computer Graphics Animation and Control*. Oxford University Press, 1993.
- [4] N. I. Badler, B. L. Webber, J. Kalita, and J. Esakov, editors. *Making them move: mechanics, control, and animation of articulated figures*. Morgan Kaufmann, 1991.
- [5] B. Blumberg and T. Galyean. Multi-level direction of autonomous creatures for real-time virtual environments. In *Siggraph*, pages 47–54, Los Angeles, California, U.S.A., Aug. 1995. ACM.
- [6] W. Bricken and G. Coco. The VEOS project. *Presence*, 3(2):111–129, 1994.
- [7] A. Chauffaut and S. Donikian. Gasp: a general animation and simulation platform. In *ISMCR'97, XIV IMEKO World Congress*, Tampere, Finland, June 1997.
- [8] R. Cozot. From multibody systems modelling to distributed real-time simulation. In ACM, editor, *American Simulation Symposium*, New Orleans, USA, 1996.
- [9] S. Donikian. Multilevel modeling of virtual urban environments for behavioural animation. In *Computer Animation'97*, Geneva, Switzerland, June 1997. IEEE Computer Society Press.
- [10] S. Donikian and R. Cozot. General animation and simulation platform. In D. Terzopoulos and D. Thalmann, editors, *Computer Animation and Simulation'95*, pages 197–209. Springer-Verlag, 1995.
- [11] S. Donikian and E. Rutten. Reactivity, concurrency, data-flow and hierarchical preemption for behavioural animation. In E. B. R.C. Veltkamp, editor, *Programming Paradigms in Graphics'95*, Eurographics Collection. Springer-Verlag, 1995.
- [12] A. Geist, A. Beguelin, J. Dongarra, W. Jiang, R. Manchek, and V. Sunderam. *PVM: Parallel Virtual Machine*. The MIT Press, 1994.
- [13] M. Macedonia, D. Brutzman, M. Zyda, D. Pratt, P. Barham, J. Falby, and J. Locke. NPSNET: a multi-player 3d virtual environment over the internet. In *Symposium on Interactive 3D Graphics*, Monterey, California, Apr. 1995. ACM.