



**HAL**  
open science

## Subjective and objective quality assessment of audio source separation

Valentin Emiya, Emmanuel Vincent, Niklas Harlander, Volker Hohmann

► **To cite this version:**

Valentin Emiya, Emmanuel Vincent, Niklas Harlander, Volker Hohmann. Subjective and objective quality assessment of audio source separation. [Research Report] RR-7297, 2010, pp.29. inria-00485729v1

**HAL Id: inria-00485729**

**<https://inria.hal.science/inria-00485729v1>**

Submitted on 21 May 2010 (v1), last revised 23 Feb 2011 (v4)

**HAL** is a multi-disciplinary open access archive for the deposit and dissemination of scientific research documents, whether they are published or not. The documents may come from teaching and research institutions in France or abroad, or from public or private research centers.

L'archive ouverte pluridisciplinaire **HAL**, est destinée au dépôt et à la diffusion de documents scientifiques de niveau recherche, publiés ou non, émanant des établissements d'enseignement et de recherche français ou étrangers, des laboratoires publics ou privés.

***Subjective and objective quality assessment of audio  
source separation***

Valentin Emiya — Emmanuel Vincent — Niklas Harlander — Volker Hohmann

**N° 7297**

May 21, 2010

Domaine Audio, Speech, and Language Processing



***Rapport  
de recherche***



## Subjective and objective quality assessment of audio source separation

Valentin Emiya , Emmanuel Vincent , Niklas Harlander , Volker  
Hohmann

Domaine :  
Équipe-Projet Metiss

Rapport de recherche n° 7297 — May 21, 2010 — 26 pages

**Abstract:** We aim to assess the perceived quality of estimated source signals in the context of audio source separation. These signals may involve one or more kinds of distortions, including distortion of the target source, interference from the other sources or musical noise artifacts. We propose a subjective test protocol to assess the perceived quality with respect to each kind of distortion and collect the scores of 20 subjects over 80 sounds. We then propose a family of objective measures aiming to predict these subjective scores based on the decomposition of the estimation error into several distortion components and on the use of the PEMO-Q perceptual salience measure. These measures increase correlation with subjective scores up to 0.5 compared to nonlinear mapping of individual state-of-the-art source separation measures.

**Key-words:** Source separation, audio, quality assessment, objective measure, subjective test protocol

V. Emiya and E. Vincent are with INRIA, Centre Inria Rennes - Bretagne Atlantique, 35042 Rennes Cedex, France (e-mail: valentin.emiya@inria.fr; emmanuel.vincent@inria.fr). N. Harlander and V. Hohmann are with Medizinische Physik, Carl von Ossietzky-Universität Oldenburg, Oldenburg, Germany (e-mail: niklas.harlander@uni-oldenburg.de; volker.hohmann@uni-oldenburg.de).

This work was supported by the French Ministry of Foreign and European Affairs and the German Academic Exchange Service under project Procope 20140NH, as well as by the German Federal Ministry of Education and Research under project number 01EZ0741 “Model-based hearing systems”.

## Evaluation subjective et objective de la qualité pour la séparation de sources audio

**Résumé :** Cette étude porte sur la qualité perceptive des signaux des sources estimés dans le cadre de la séparation de sources audio. Ces signaux peuvent présenter plusieurs types de distortions, notamment la distortion de la source cible, les interférences liées aux autres sources et les artefacts de type bruit musical. Nous proposons un protocole de test subjectif pour établir la qualité liée à la perception de chaque type de distortion. L'évaluation de 80 sons par 20 sujets a ainsi été réalisée. Nous proposons ensuite un ensemble de mesures objectives permettant de prédire ces critères de qualité via une décomposition de l'erreur d'estimation en plusieurs composantes de distortion et via l'utilisation de la mesure de qualité perceptive PEMO-Q. Par rapport aux mesures de l'état de l'art, la corrélation entre ces mesures et les notes subjectives est meilleure, avec un gain pouvant atteindre 0,5.

**Mots-clés :** Séparation de sources, audio, évaluation de la qualité, mesure objective, protocole de test subjectif

## 1 Introduction and state of the art

Audio source separation is the task of extracting the signal of each sound source from a mixture of concurrent sources [1; 2]. It underlies a wide range of applications from source enhancement to content description and manipulation [3]. In this article, we consider applications where the estimated source signals are to be listened to, such as speech or music enhancement for hearing aids, restoration of old music recordings, and voice muting for karaoke. Separation performance then amounts to the subjective judgment of listeners. We focus on measuring and predicting the audio quality perceived by normal-hearing listeners for any input data and do not assess speech intelligibility or speech transcription, for which specific metrics were proposed in [4; 5]. One or more kinds of distortions may be perceived depending on the separation algorithm, including *distortion of the target source*, *interference* from the other sources, and musical noise or other *artifacts* [6]. Multi-criteria evaluation is therefore necessary.

A few studies have been performed to assess the subjective quality of certain source separation schemes [7–14]. Their impact is however limited by the lack of a dedicated multi-criteria test protocol. Firstly, most studies consider either a single criterion, such as overall quality [7; 11; 12], preference [10, p. 138] or musical noise salience [9], or a set of criteria restricted to speech. Three such criteria called intelligibility, fidelity and suppression were proposed in [8, p. 95], while [13] employs the standard ITU criteria for noise suppression [15], namely speech signal distortion, background noise intrusiveness and overall quality. Secondly, most studies consider a single class of algorithms producing specific kinds and levels of distortion, *e.g.* Independent Component Analysis (ICA) in [10], time-frequency masking in [7] or simulated separation in [13], and a narrow range of sound material, *e.g.* male speech in [11; 14] or isolated notes from a single musical instrument in [12]. The resulting scores can hence not be compared due to the lack of a common absolute reference. Finally, some test protocols are inappropriate or insufficiently documented. Pairwise comparison tests are employed in [12], while joint presentation is known to be preferable with large degradations [16] such as those encountered in source separation. Also, the protocols in [7–9] are not fully described, *e.g.* in terms of sound normalization, sound presentation or subject training, so that they are not exactly reproducible.

In parallel to these subjective studies, the objective evaluation of source separation algorithms has also received some attention. The basic approach to evaluating the quality of an estimated source signal is to compute the Signal to Distortion Ratio (SDR) between the energy of the *reference*, *i.e.* the clean target signal, and that of the distortion [6]. Two directions have been investigated to derive additional objective measures. The first one consists of decomposing the distortion signal into several components [6], related to *e.g.* target distortion, interference, sensor noise and artifacts, and deriving a specific energy ratio from each of the distortion components [6; 17]. These energy ratios may further be combined using linear or nonlinear mapping to increase correlation with subjective ratings [12; 13]. However, the distortion decomposition algorithms proposed so far do not always yield the expected components and one may question the ability of energy ratios to fit subjective ratings since auditory phenomena such as loudness weighting and spectral masking are not taken into account. A second direction is to use auditory-motivated metrics to compare the target and the estimated source. Existing metrics designed for au-

dio coding or speech enhancement remain however limited to the assessment of overall quality [18–20] and appear to perform poorer than decomposition-based measures in the context of source separation [12].

This article provides the following contributions for subjective and objective quality assessment of audio source separation: a principled multi-criteria subjective test protocol dedicated to the evaluation of source separation (Section 2), a large database of 6400 subjective scores for a wide range of mixture signals and source separation schemes (Section 3), a family of auditory-motivated objective measures based on improved distortion decomposition (Section 4) and a validation of the ability of these objective measures to predict these subjective scores (Section 5). The sound material, the subjective data and the objective measures are released as a toolkit named PEASS (Section 6). We conclude in Section 7.

## 2 Multi-criteria subjective test protocol

The proposed subjective test protocol relies on the principle of multi-criteria evaluation in a similar way as the ITU standard for the evaluation of noise suppression algorithms [15]. Based on previous work on the objective evaluation of source separation [6], we propose a set of three specific criteria besides overall quality which are dedicated to source separation: preservation of the target source, suppression of other sources and absence of additional artificial noise. We formulated these criteria for naive listeners so as to avoid reference to expert terms such as interference and artifacts.

### 2.1 Protocol

We propose four separate listening tests, in which the subjects are asked to address the following four tasks respectively:

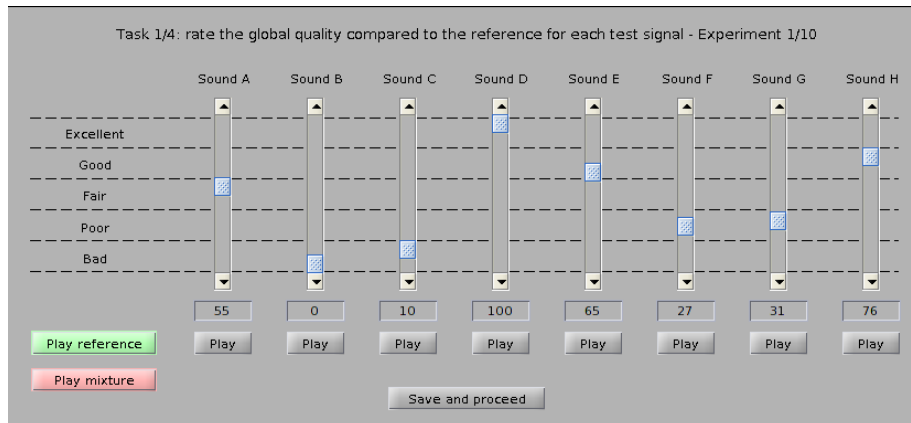
1. rate the *global quality* compared to the reference for each test signal;
2. rate the quality in terms of *preservation of the target source* in each test signal;
3. rate the quality in terms of *suppression of other sources* in each test signal;
4. rate the quality in terms of *absence of additional artificial noise* in each test signal.

The tests are performed in the above order, with a break at the end of each test. Global quality is assessed first so as to reduce the influence of the latter specific criteria and allow global quality ratings to possibly involve other subjective factors.

The Multiple Stimuli with Hidden Reference and Anchor (MUSHRA) [16] protocol is employed for each test. This protocol is appropriate here since medium and large impairments are encountered [11]. For a given mixture and a given target source within that mixture, the subject is jointly presented with several test sounds in a random order, including the results of the source separation algorithms under test, the reference clean target source and some anchor sounds introduced below. The reference and the mixture are also available for



(a) Training interface



(b) Grading interface

Figure 1: Screenshots of the subjective test interfaces for the training and grading phases of task 1. The reference is not included in the test sounds of the training phase.

comparison. The loudness of the reference is assumed to be fixed for all mixtures. The other test sounds may be normalized to the same loudness or not, depending on whether erroneous scaling is considered as a distortion or not [6].

A training phase is first conducted where the subject listens to all sounds of all mixtures (see Fig. 1(a)). This aims to train the subject to address the required task, to learn the range of observed quality according to that task and to fix the volume of the headphones to a comfortable level. A grading phase is then performed for each mixture and target source where the subject rates the quality of each test sound compared to the reference on a scale from 0 to 100, where higher ratings indicate better quality (see Fig. 1(b)). Sounds may be listened to as many times as desired. The subject should make sure that the ratings are consistent across mixtures (*i.e.* if one sound has better quality than



another, it should be rated higher) and that the whole rating scale is used (*i.e.* sounds with perfect quality should be rated 100 and the worst test sound over all mixtures should be rated 0).

The guidelines of the test are presented as a unique written document for all subjects in order to avoid any influence from the supervisor of the test.

## 2.2 Anchor sounds

An essential aspect of the MUSHRA protocol is the use of anchor sounds, *i.e.* artificial sounds presenting large impairments of the same kind as those generated by actual systems [16]. Precisely defined anchors act as absolute quality levels and allow the comparison of ratings obtained in different listening conditions or for different test sounds. In the context of audio coding, several anchors reproducing the distortions generated by audio coders were proposed in [16; 21]. Anchors for the evaluation of source separation were also introduced in [11]. We propose a new set of anchors inspired from [11] which better fit the target distortions and the artifacts produced by actual systems. Each anchor is associated with one of the three aforementioned kinds of distortion.

- The *distorted target anchor* is created by low-pass filtering the target source signal to a 3.5 kHz cut-off frequency and by randomly setting 20% of the remaining time-frequency coefficients to zero.
- The *interference anchor* is defined as the sum of the target source signal and an interfering signal. The latter is obtained by summing all interfering sources and by adjusting the loudness of the resulting signal to that of the target.
- The *artifacts anchor* is defined as the sum of the target source signal and an artifact signal. The latter is created by randomly setting 99% of the time-frequency coefficients of the target to zero and by adjusting the loudness of the resulting signal to that of the target.

Fixed choice of the time-frequency transform and the loudness measure is needed for reproducibility. We consider the short time Fourier transform (STFT) with half-overlapping 46 ms sine windows (*i.e.* the square root of a Hann window) and the ISO 532B loudness measure [22] because of its availability as free Matlab software<sup>1</sup>.

## 3 Database of subjective scores

We collected a set of 6400 subjective scores by implementing the above protocol via a dedicated interface. This interface is available together with the test sounds, the anchor sounds and the resulting scores within the PEASS toolkit (see Section 6).

---

<sup>1</sup><http://www.auditory.org/mhonarc/2000/zip00001.zip>

### 3.1 Test material and subjects

#### 3.1.1 Test material

We selected 8 stereo mixtures and 2 4-channel mixtures of 5 s duration from various datasets of the 2008 Signal Separation Evaluation Campaign (SiSEC) [23]. The target to be estimated was either the stereo spatial image of one source in the former case or one original single-channel source in the latter case [23]. These mixtures were chosen so as to cover a wide range of source separation settings as shown in Table 1: two or more sources; instantaneous, anechoic, convolutive or professionally-produced mixtures; male speech, female speech, singing voice, pitched musical instrument or drums as the target source. For each mixture, the 8 test sounds consisted of four sounds generated by actual source separation algorithms, the reference and the three anchor sounds. All references were set to the same loudness using the ISO 532B standard. The sounds from actual source separation schemes were obtained by 13 different algorithms as described in [23]. From one mixture to another, different algorithms were chosen in order to favor a wide range of distortions and state-of-the-art separation methods.

#### 3.1.2 Subjects

23 normal-hearing subjects (excluding the authors) participated in the test, including 13 in Rennes, France, and 10 in Oldenburg, Germany. All subjects were experts in general audio applications. They used the same AKG 271 headphones and performed the test in different offices, in a quiet environment. The guidelines were written in English.

#	Mixture	Type	Target	Interferences
1	Convolutive	Speech	Male	Male, female
2	Convolutive	Speech	Female	Male
3	Anechoic	Speech	2 males successively	Male & female successively
4	Professional mix	Music (rock)	Male singer	2 guitars, 2 keyboards, bass, drums
5	Instantaneous	Music (pop)	Piano	Male singer, bass
6	Instantaneous	Music (pop)	Electric guitar	Acoustic guitar, bass
7	Convolutive	Speech	Male	Female
8	Professional mix	Music (bossa nova)	Female singer	Acoustic guitar
9	Convolutive	Speech	Male	2 males
10	Convolutive	Music (rock)	Drums	Female singer, electric guitar

Table 1: Mixing conditions, type of sounds and nature of the target and interfering sources for each of the ten test mixtures.

## 3.2 Statistical analysis of the results

### 3.2.1 Detection of outlier subjects

A post-screening was applied so as to discard outlier subjects that may have misunderstood the guidelines. This post-screening was performed on the scores related to the hidden reference and the anchor sounds for all mixtures only. Indeed, a consensus among subjects is expected over these sounds since they involve either no distortion or a single kind of distortion. By contrast, subjects may have individual rating strategies over the remaining sounds involving multiple distortions due their individual perceptual weighting of each kind of distortion.

We used the multivariate Mahalanobis distance-based outlier detection technique in [24]. The set of subjective scores of subject  $m$  is considered as a vector  $\mathbf{y}_m$ . Let us denote by  $d_m^2 = (\mathbf{y}_m - \boldsymbol{\mu}_y) \boldsymbol{\Sigma}_y^{-1} (\mathbf{y}_m - \boldsymbol{\mu}_y)^T$  the squared Mahalanobis distance between  $\mathbf{y}_m$  and the empirical data mean  $\boldsymbol{\mu}_y$ ,  $\boldsymbol{\Sigma}_y$  being the empirical data covariance. The distances  $d_m$  are assumed to be distributed according to a  $\chi^2$  law [24]. Hence, by matching the empirical and theoretical cumulative distributions, outliers are obtained as points of the empirical distribution above the 0.975 quantile of the theoretical  $\chi^2$  distribution [24]. In the current case, 3 outliers were detected among the 23 subjects and removed for subsequent use of the subjective scores.

### 3.2.2 Effect of location

To substantiate confidence in the results, an analysis of variance (ANOVA) was performed regarding the subject location (Oldenburg *vs.* Rennes). We used SPSS Statistics 12.0<sup>2</sup> with a significance level of  $\alpha = 0.05$ . The two locations were a “between” factor while the four tasks and the 10 mixtures were “within” factors. We obtained highly significant effects of tasks ( $\eta^2 = 0.837$ ) and mixtures ( $\eta^2 = 0.567$ ), with all  $p < 0.05$  and corrected F-values from 92.3 to 23.6. No significant effect of locations was detected ( $F(1, 18) < 1$ ,  $p = 0.597$ ,  $\eta^2 = 0.01$ ). As a result, location did not have a significant influence on the subjective scores.

### 3.2.3 Statistical analysis for hidden references and anchors

A separate statistical analysis of the subjective ratings is provided for the set of hidden references and anchors and for the set of sounds from actual source separation schemes. The statistical analysis related to the hidden references and anchor sounds is presented in Fig. 2. It shows that for each task, the hidden references were scored around 100, as expected, with a very narrow confidence interval (less than 1). The confidence intervals related to anchor sounds are wider, with half-widths from  $\pm 1.4$  to  $\pm 12.6$ .

The mean values in Fig. 2 indicate that all anchors have low scores for task 1 (global quality), as expected. For tasks 2 to 4, the anchor related to the considered task has a low score while the other ones have high scores, except for the distorted target anchor in task 4. Indeed, the distorted target anchor presents large distortions which do sound as artificial noise. Conversely, the artifacts anchor does not have a low score in task 2 since artifacts do not sound as target distortion. Thus, we see that the three anchors involve independent

<sup>2</sup><http://www.spss.com/software/statistics/advanced-statistics/>

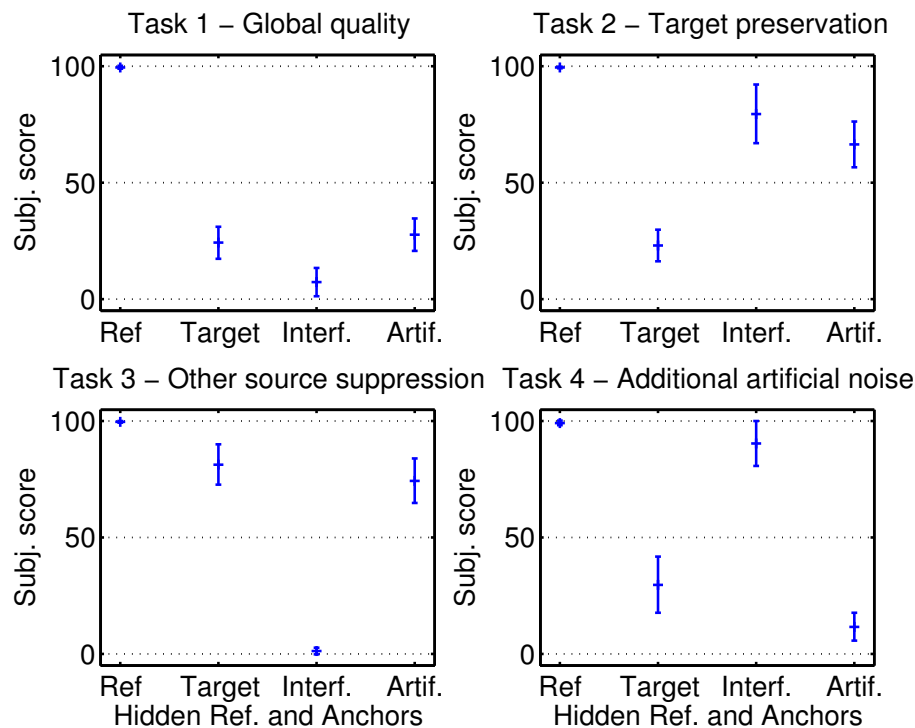


Figure 2: Mean and 95% confidence intervals of the subjective scores for the hidden references and the three anchor sounds (abscissa) for each of the four tasks (subfigures).

distortions to some extent only. Future investigations may be needed to identify the kinds of target distortions that are subjectively correlated with the target and design more independent anchors.

### 3.2.4 Statistical analysis for test sounds produced by separation schemes

The confidence intervals related to the sounds from actual source separation algorithms are summarized in Table 2. All half-widths are lower than 15, which is satisfying given the width of the grading scale and of the same order as in [11–14]. Note that narrower confidence intervals were obtained for tasks 1 (global quality) and 3 (suppression of other sources), which indicates a slightly higher agreement of the subjects on these tasks than on tasks 2 and 4.

## 4 Multi-criteria objective measures

We now design a family of four objective measures aiming to predict the subjective scores of the above test. The proposed approach consists of splitting the distortion signal into a sum of components related to target distortion, interference and artifacts, and in assessing their perceptual salience using auditory-motivated metrics and nonlinear mappings. The distortion components are ex-

Tasks	Min.	Average	Max
Task 1: Global score	$\pm 2.8$	$\pm 6.5$	$\pm 9.0$
Task 2: Target preservation	$\pm 2.9$	$\pm 8.1$	$\pm 12.9$
Task 3: Other source suppression	$\pm 2.4$	$\pm 6.5$	$\pm 9.7$
Task 4: Additional artificial noise	$\pm 5.0$	$\pm 9.5$	$\pm 13.3$

Table 2: Minimum, average and maximum width of the 95% confidence intervals (in grading points) over the subjective scores of the sources estimated by actual source separation algorithms.

tracted using a new approach described in Section 4.1 and validated in Section 4.2, while the derived measures are detailed in Section 4.3.

In the following, we consider a mixture with  $I$  channels and  $J$  sources indexed by  $i$  and  $j$  respectively. The spatial image of source  $j$  sampled at time  $t$ , *i.e.* its contribution to each mixture channel  $i$ , is denoted by  $s_{ij}(t)$ . We assume that the true spatial images of all sources are known. For a given target source  $j$ , we evaluate the quality of *source spatial image estimation* [23] by comparing the multichannel spatial image  $\widehat{s}_{ij}(t)$  estimated by some source separation algorithm to the target  $s_{ij}(t)$ . The following derivations can be applied in a straightforward way to the problem of *source signal estimation* [23] by replacing these signals by the estimated and target single-channel source signals  $\widehat{s}_j(t)$  and  $s_j(t)$  instead.

#### 4.1 Distortion component model and estimation

Following [17], we split the distortion between the estimate  $\widehat{s}_{ij}(t)$  and the target  $s_{ij}(t)$  into the sum of a target distortion component  $e_{ij}^{\text{target}}(t)$ , an interference component  $e_{ij}^{\text{interf}}(t)$  and an artifacts component  $e_{ij}^{\text{artif}}(t)$  such that<sup>3</sup>

$$\widehat{s}_{ij}(t) - s_{ij}(t) = e_{ij}^{\text{target}}(t) + e_{ij}^{\text{interf}}(t) + e_{ij}^{\text{artif}}(t). \quad (1)$$

In order to perform this decomposition, one must specify how the target distortion and interference components relate to the true source signals. One approach [17] is to assume that these components are linearly distorted versions of the true source signals, where distortion is modeled via multichannel time-invariant Finite Impulse Response (FIR) filters. The algorithm in [17] computes the coefficients of these filters by two nested least-square projections: first, the distortion signal is projected onto the subspace spanned by delayed versions of all source signals  $s_{kl}(t - \tau)$ ,  $1 \leq k \leq I$ ,  $1 \leq l \leq J$ ,  $0 \leq \tau \leq L - 1$ , so as to obtain  $e_{ij}^{\text{target}}(t) + e_{ij}^{\text{interf}}(t)$ ; then it is further projected on the smaller subspace spanned by delayed versions of the target signal  $s_{kj}(t - \tau)$ ,  $1 \leq k \leq I$ ,  $0 \leq \tau \leq L - 1$ , so as to obtain  $e_{ij}^{\text{target}}(t)$  alone; finally,  $e_{ij}^{\text{artif}}(t)$  is defined as the residual. The filter length  $L$  is typically set to 32 ms [17].

Despite their use in several evaluation campaigns [17; 23; 25], the resulting distortion components do not always fit those perceived by human listeners. This can be checked by listening to the audio examples accompanying [6] or the current article (see Section 6). For instance, one can often hear the original sources when listening to the artifacts component. This is due in particular

<sup>3</sup>An additional residual noise component may be defined when considering noisy mixtures [6].

to the time-invariant model which does not fit the time-varying nature of the encountered distortions and to the constant frequency resolution of the FIR filter which does not match that of the ear. A time-varying decomposition was proposed in [6]. However, due to its large computational cost, it was restricted in practice to filters with both low frequency resolution and low time resolution [6] and consequently did not improve the results. Another issue is that the target distortion component may be nonzero even when the target is not distorted. Indeed, due to the nested projection algorithm, the target distortion component includes part of the target source signal  $s_{ij}(t)$  in addition to the interfering source signals  $s_{il}(t)$ ,  $l \neq j$ , as soon as these signals are correlated.

The proposed decomposition algorithm aims to fix these issues and output more perceptually relevant distortion components by approximating the auditory time-frequency resolution. As illustrated in Fig. 3, it involves three successive steps: firstly, all signals are partitioned into time- and frequency-localized signals via a gammatone filterbank [26] followed by downsampling and windowing; secondly, a time-invariant FIR-based decomposition is performed in each subband and each time frame by joint least-squares projection; finally, time-domain signals are reconstructed via overlap-and-add (OLA) and filterbank inversion. Besides its desirable auditory-motivated properties, the filterbank makes it possible to decrease the filter length and hence the computational cost of each decomposition. We now describe the details of each step.

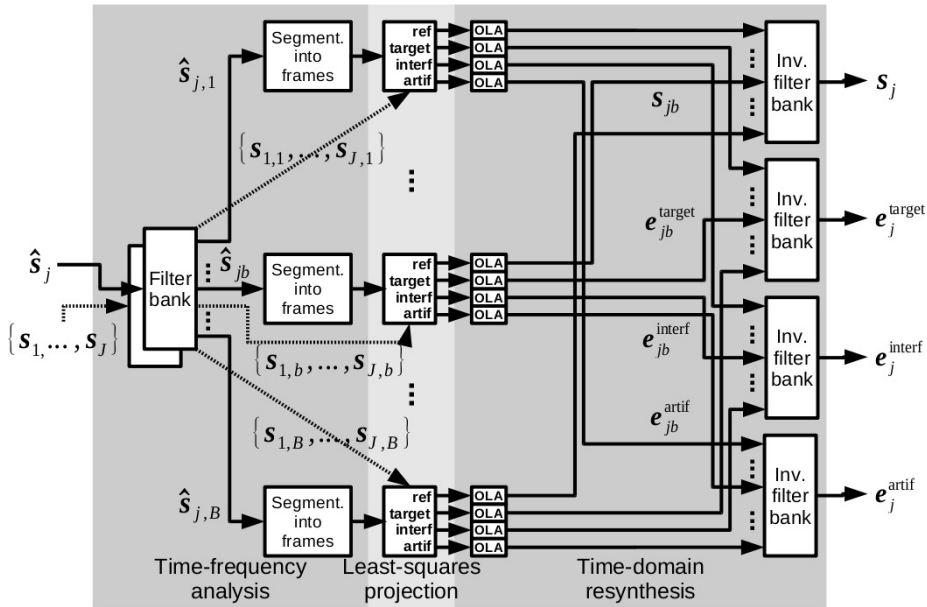


Figure 3: Block diagram of the proposed algorithm for the decomposition of an estimated source into the sum of the target source and three distortion components corresponding to target distortion, interference and artifacts.

#### 4.1.1 Time-frequency analysis

We split the estimated source signal  $\widehat{s}_{ij}(t)$  and the true signals of all sources  $s_{kl}(t)$ ,  $1 \leq k \leq I$ ,  $1 \leq l \leq J$ , into subband signals  $\widehat{s}_{ijb}(t)$  and  $s_{klb}(t)$  indexed by  $b$  using a bank of 4th-order gammatone filters as implemented in [26; 27]. The center frequencies are linearly spaced on the auditory-motivated Equivalent Rectangular Bandwidth (ERB) scale from 20 Hz to the Nyquist frequency. This scale is approximately linear at low frequencies and logarithmic at high frequencies. To ensure good reconstruction properties, the number of filters per ERB is set to 3. All subband signals are downsampled by a factor equal to the ratio of the Nyquist frequency and the filter bandwidth *i.e.* 1 ERB<sup>4</sup>.

In each subband, the estimated source signal  $\widehat{s}_{ijb}(t)$  and the delayed true source signals  $s_{klb}(t - \tau)$ ,  $1 \leq k \leq I$ ,  $1 \leq l \leq J$ ,  $-L/2 \leq \tau \leq L/2$ , are partitioned into overlapping time frames indexed by  $u$  via

$$\widehat{s}_{ijbu}(t) = w_a(t)\widehat{s}_{ijb}(t - uN) \quad (2)$$

$$s_{klbu}^\tau(t) = w_a(t)s_{klb}(t - uN - \tau) \quad (3)$$

where  $w_a$  denotes the analysis window and  $N$  the stepsize. We employ a sine window with fixed length  $T$  and stepsize  $N = T/4$ . Due to downsampling, this translates into variable time resolution in the original time domain: the time resolution in each subband is inversely proportional to its bandwidth. Indeed, we observed that sharp amplitude modulations are often characterized as artifacts at lower frequencies while they are perceived as more natural at higher frequencies. Several window lengths are considered in Section 5.3 and shown to be non critical. Nevertheless, formal psycho-acoustical studies remain to be made to find the exact modulation threshold above which modulated real-world sources sound as artifacts.

#### 4.1.2 Joint least-squares decomposition

Due to the wide bandwidth of gammatone filters, additional filtering is needed to relate the target distortion and interference components to the true source signals in each subband and each time frame. These components are defined by multichannel time-invariant FIR filtering of the target source signal and the interfering source signals, respectively, while the artifacts component is given by the residual distortion:

$$e_{ijbu}^{\text{target}}(t) = \sum_{k=1}^I \sum_{\tau=-L/2}^{L/2} \alpha_{ijbu,kj}(\tau) s_{kjb}^\tau(t) \quad (4)$$

$$e_{ijbu}^{\text{interf}}(t) = \sum_{k=1}^I \sum_{l \neq j} \sum_{\tau=-L/2}^{L/2} \alpha_{ijbu,kl}(\tau) s_{klb}^\tau(t) \quad (5)$$

$$e_{ijbu}^{\text{artif}}(t) = \widehat{s}_{ijbu}(t) - s_{ijbu}^0(t) - e_{ijbu}^{\text{target}}(t) - e_{ijbu}^{\text{interf}}(t) \quad (6)$$

Note that, unlike [6; 17], centered FIR filters are used and the interference component explicitly excludes the target source  $j$ . The filter coefficients are computed by least-squares projection of the distortion  $\widehat{s}_{ijbu}(t) - s_{ijbu}^0(t)$  onto the

<sup>4</sup>For simplicity, we also denote by  $t$  the time index after downsampling.

subspace spanned by the delayed source signals  $s_{klbu}^\tau(t)$ ,  $1 \leq k \leq I$ ,  $1 \leq l \leq J$ ,  $-L/2 \leq \tau \leq L/2$ . Classically, the optimal  $(L+1)IJ \times 1$  vector of coefficients is given by  $\alpha_{ijbu} = \mathbf{S}_{bu}^+(\widehat{\mathbf{s}}_{ijbu} - \mathbf{s}_{ijbu})$  where  $\widehat{\mathbf{s}}_{ijbu}$  and  $\mathbf{s}_{ijbu}$  are respectively the estimated and true  $T \times 1$  vectors of target source samples,  $\mathbf{S}_{bu}$  is the  $T \times (L+1)IJ$  matrix of delayed true source samples and  $^+$  denotes matrix pseudo-inversion.

The filter length  $L$  is set to a constant. Various lengths are considered in Section 5.3. Again, due to downsampling, this translates into variable auditory-motivated frequency resolution in the original time domain.

### 4.1.3 Time-domain resynthesis

Full-duration distortion components are reconstructed from the time-localized components in each subband using OLA

$$e_{ijb}^{\text{target}}(t) = \sum_u w_s(t-uN)e_{ijbu}^{\text{target}}(t-uN) \quad (7)$$

$$e_{ijb}^{\text{interf}}(t) = \sum_u w_s(t-uN)e_{ijbu}^{\text{interf}}(t-uN) \quad (8)$$

$$e_{ijb}^{\text{artif}}(t) = \sum_u w_s(t-uN)e_{ijbu}^{\text{artif}}(t-uN) \quad (9)$$

where  $w_s$  is a sine synthesis window of length  $T$  such that  $\sum_u w_s(t-uN)w_a(t-uN) = 1$ . Finally, the fullband distortion components  $e_{ij}^{\text{target}}(t)$ ,  $e_{ij}^{\text{interf}}(t)$  and  $e_{ij}^{\text{artif}}(t)$  are obtained using the synthesis filters [26] associated with the gammatone filterbank. In order to account for inaudible but measurable distortion due to filterbank inversion, the fullband estimated and true target signals  $\widehat{s}_{ij}(t)$  and  $s_{ij}(t)$  are also reconstructed from their subbands  $\widehat{s}_{ijb}(t)$  and  $s_{ijb}(t)$ . These reconstructed versions are used in place of the original signals from now on.

## 4.2 Evaluation of the signal decomposition

An objective evaluation of the distortion decomposition is not obvious to design since reference signals for the distortion components are not available. Moreover, the creation of synthetic reference signals is not possible since it would imply some reductive *a priori* on the distortions, *e.g.* on the choice of time and frequency resolution or on the definition of artifacts. In order to validate the proposed method, the salience of the distortion components obtained via the state-of-the-art [17] and the proposed decomposition are compared in Fig. 4 over the data of Section 3. Two series of scatter plots are shown depending on the salience criteria defined hereafter in Section 4.3: either the energy ratios given by (11), (12) and (13) or the features  $q_j^{\text{target}}$ ,  $q_j^{\text{interf}}$  and  $q_j^{\text{artif}}$  obtained from the auditory-based PEMO-Q metric [28] in (15), (16) and (17). Circled items can be listened to as part of the sound examples of the PEASS toolkit (see Section 6).

Many points are far from the diagonal dashed line, showing that the proposed decomposition differs from the state of the art for many of the tested sounds. In general, salience values are differently distributed for the PEMO-Q-based criteria and for the energy ratios. When listening to the artifacts components, one can realize that the sources are well removed with the proposed method whereas they can still be heard with the state-of-the-art one. This can be



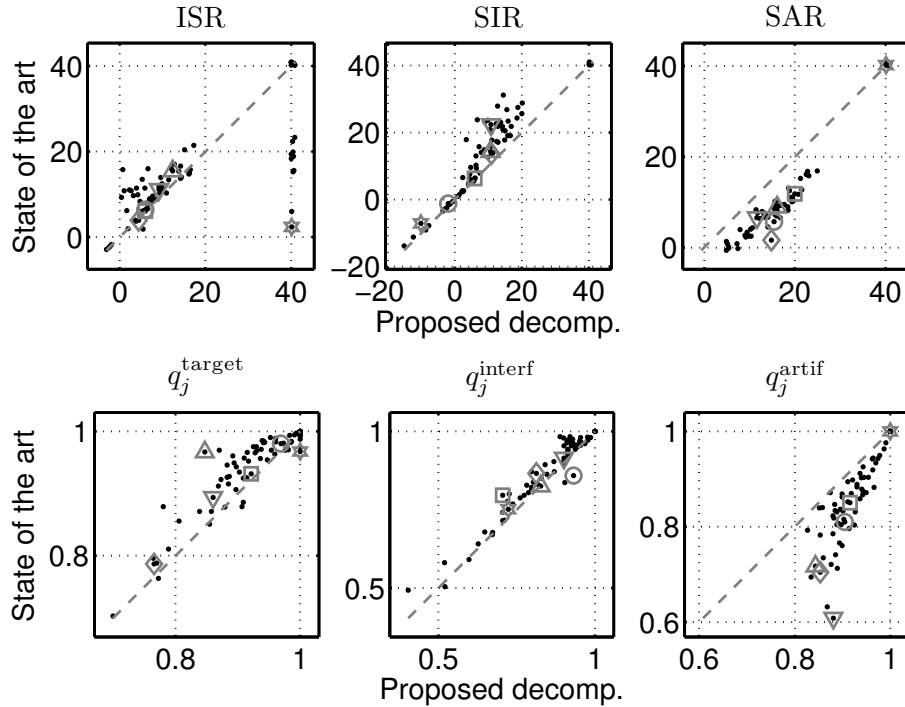


Figure 4: Scatter plot of the energy ratios in dB (top) and the PEMO-Q-based features (bottom) for the state-of-the-art distortion decomposition (y-axis) vs. the proposed distortion decomposition (x-axis). The maximum value of energy ratios have been limited to 40 dB. Circled items can be listened to as part of the sound examples of the PEASS toolkit (see Section 6).

observed in the right plots of Fig. 4 where points are in the bottom part of the plots since the artifacts components obtained with the proposed method contains less energy. The proposed method also enhances the relevance of the target distortion and interference components, which results in scattered points in the left and center plots. Note that in the left plots, the vertically aligned points on the right side correspond to the interference anchor sounds for which an almost ideal decomposition is obtained with the proposed method thanks to joint projection onto all source signals, while the state-of-the-art one erroneously provides a nonzero target distortion due to nested projections.

### 4.3 Component-based objective measures

Given some decomposition of the distortion, we now aim to assess the similarity between the estimated and the reference source signal according to each of the four subjective rating tasks of Section 2. The state-of-the-art approach in the source separation community consists in measuring the salience of the overall distortion and of the target distortion, interference and artifacts components by means of energy ratios called respectively the Signal to Distortion Ratio (SDR), the source Image to Spatial distortion Ratio (ISR), the Signal to Interference

Ratio (SIR) and the Signal to Artifacts Ratio (SAR) [17]:

$$\text{SDR}_j = 10 \log_{10} \frac{\sum_i \sum_t |s_{ij}(t)|^2}{\sum_i \sum_t |\widehat{s}_{ij}(t) - s_{ij}(t)|^2} \quad (10)$$

$$\text{ISR}_j = 10 \log_{10} \frac{\sum_i \sum_t |s_{ij}(t)|^2}{\sum_i \sum_t |e_{ij}^{\text{target}}(t)|^2} \quad (11)$$

$$\text{SIR}_j = 10 \log_{10} \frac{\sum_i \sum_t |s_{ij}(t) + e_{ij}^{\text{target}}(t)|^2}{\sum_i \sum_t |e_{ij}^{\text{interf}}(t)|^2} \quad (12)$$

$$\text{SAR}_j = 10 \log_{10} \frac{\sum_i \sum_t |s_{ij}(t) + e_{ij}^{\text{target}}(t) + e_{ij}^{\text{interf}}(t)|^2}{\sum_i \sum_t |e_{ij}^{\text{artif}}(t)|^2}. \quad (13)$$

These energy ratios do not always fit the perceptual salience of each component within the estimated source. For instance, low frequency components appear louder than they actually sound. Also, the auditory masking of soft distortion components by the target signal or by louder distortion components is not taken into account.

In order to overcome these issues, we adopt the two-step approach in Fig. 5. First, we assess the salience of each distortion component using auditory model-based metrics. Note that this differs from the conventional use of such metrics, which are applied to the overall distortion instead of individual components [19; 20]. Then, we combine the resulting component-wise salience features by nonlinear mapping, yielding a family of four objective measures:

- the Overall Perceptual Score (OPS),
- the Target-related Perceptual Score (TPS),
- the Interference-related Perceptual Score (IPS),
- the Artifacts-related Perceptual Score (APS).

The details of each step are as follows.

#### 4.3.1 Component-wise salience features

We employ the perceptual similarity measure (PSM) provided by the PEMO-Q auditory model<sup>5</sup> [28]. The perceptual salience of the overall distortion and of each specific distortion component is assessed by comparing the estimated source signal with itself minus the considered distortion. This yields the following four features<sup>6</sup>:

$$q_j^{\text{overall}} = \text{PSM}(\widehat{\mathbf{s}}_j, \mathbf{s}_j) \quad (14)$$

$$q_j^{\text{target}} = \text{PSM}(\widehat{\mathbf{s}}_j, \widehat{\mathbf{s}}_j - \mathbf{e}_j^{\text{target}}) \quad (15)$$

$$q_j^{\text{interf}} = \text{PSM}(\widehat{\mathbf{s}}_j, \widehat{\mathbf{s}}_j - \mathbf{e}_j^{\text{interf}}) \quad (16)$$

$$q_j^{\text{artif}} = \text{PSM}(\widehat{\mathbf{s}}_j, \widehat{\mathbf{s}}_j - \mathbf{e}_j^{\text{artif}}) \quad (17)$$

<sup>5</sup>When using the PEMO-Q software, the options *delay compensation*, *pause cut* and *level alignment* are disabled since the signals to be compared are aligned and silence segments or gain distortion must be evaluated.

<sup>6</sup>Target signals and estimates are either one or two channel (binaural). PEMO-Q integrates both channels into a single quality measure yielding scalar quality values, as in equations (10), (11), (12) and (13).

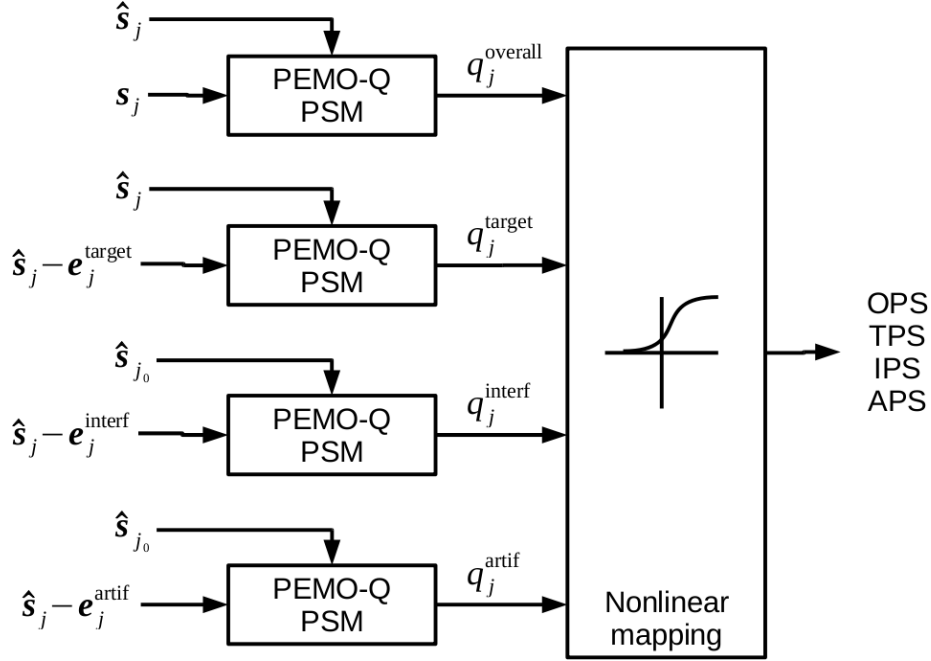


Figure 5: Block diagram of the proposed algorithm for the computation of the OPS, TPS, IPS and APS criteria from the distortion components.

where bold letters denote the set of signal samples for all channels  $i$  and all time indexes  $t$ .

### 4.3.2 Nonlinear mapping

Following other objective measures [12; 18; 28], a nonlinear mapping is applied to combine these features into a single scalar measure for each grading task and to adapt the feature scale to the subjective grading scale. We assume that the vector of features  $\mathbf{q}_{jr}$  for a given task  $r$  involves either the four features  $\mathbf{q}_{jr} = [q_j^{\text{overall}}, q_j^{\text{target}}, q_j^{\text{interf}}, q_j^{\text{artif}}]$  or a subset of these.

We employ a one hidden layer feedforward neural network composed of  $K$  sigmoids. Each feature vector  $\mathbf{q}_{jr}$  is mapped into an OPS, TPS, IPS or APS score  $x_{jr} = f_r(\mathbf{q}_{jr})$  via the function

$$f_r(\mathbf{q}) = \sum_{k=1}^K v_{rk} g(\mathbf{w}_{rk}^T \mathbf{q} + b_{rk}) \quad (18)$$

where  $g(x) = 1/(1 + e^{-x})$  is the sigmoid function and  $v_{rk}$ ,  $\mathbf{w}_{rk}$  and  $b_{rk}$  denote respectively the output weight, the vector of input weights and the bias of sigmoid  $k$ . The output weights  $v_{rk}$  are constrained to be nonnegative so as to ensure nonnegative output. Additional nonnegativity constraints are set over one or more input weights  $\mathbf{w}_{rk}$  to ensure monotonicity with respect to the corresponding features. For instance, when predicting the TPS, the mapping function is naturally assumed to increase with  $q_j^{\text{target}}$  by constraining the corresponding entry of  $\mathbf{w}_{2k}$  to be nonnegative for all  $k$ . Table 3 presents the various

Feature vector size	Task 1	Task 2	Task 3	Task 4
1	$+q_j^{\text{overall}}$	$+q_j^{\text{target}}$	$+q_j^{\text{interf}}$	$+q_j^{\text{artif}}$
2	-	$+q_j^{\text{target}}$ $q_j^{\text{artif}}$	-	$q_j^{\text{target}}$ $+q_j^{\text{artif}}$
3	$+q_j^{\text{target}}$ $+q_j^{\text{interf}}$ $+q_j^{\text{artif}}$	$+q_j^{\text{target}}$ $q_j^{\text{interf}}$ $q_j^{\text{artif}}$	$q_j^{\text{target}}$ $+q_j^{\text{interf}}$ $q_j^{\text{artif}}$	$q_j^{\text{target}}$ $q_j^{\text{interf}}$ $+q_j^{\text{artif}}$
4	$q_j^{\text{overall}}$ $q_j^{\text{target}}$ $q_j^{\text{interf}}$ $q_j^{\text{artif}}$	$q_j^{\text{overall}}$ $+q_j^{\text{target}}$ $q_j^{\text{interf}}$ $q_j^{\text{artif}}$	$q_j^{\text{overall}}$ $q_j^{\text{target}}$ $+q_j^{\text{interf}}$ $q_j^{\text{artif}}$	$q_j^{\text{overall}}$ $q_j^{\text{target}}$ $q_j^{\text{interf}}$ $+q_j^{\text{artif}}$

Table 3: For each task (column), several configurations of feature vectors are investigated, depending on the number of features (rows). Monotonicity constraints are reported by a ‘+’ sign.

configurations of input vectors and monotonicity constraints which are tested and discussed in Section 5.

The neural network parameters are trained using Matlab’s `fmincon` optimizer so as to minimize the mean square error between the predicted score  $x_{jr}$  and the subjective scores  $y_{jrm}$  of all subjects  $m$ . This is equivalent to minimizing the mean square error between  $x_{jr}$  and the mean subjective score  $\bar{y}_{jr}$ .

## 5 Evaluation of the objective measures

We assessed the ability of the family of objective measures proposed in Section 4 to predict the subjective scores of Section 2. In particular, the following factors were investigated: the use of the proposed distortion decomposition as opposed to that in [17], the choice of the window and filter lengths  $T$  and  $L$ , the use of PEMO-Q as opposed to energy ratios and the various configurations of the feature vector. In order to ensure a fair comparison, a nonlinear mapping is used in all cases to match the objective scores as well as possible. In the case of energy ratios, the same configurations of the feature vector are employed as in Table 3 with  $q_j^{\text{overall}}$ ,  $q_j^{\text{target}}$ ,  $q_j^{\text{interf}}$  and  $q_j^{\text{artif}}$  being replaced by  $\text{SDR}_j$ ,  $\text{ISR}_j$ ,  $\text{SIR}_j$  and  $\text{SAR}_j$  respectively.

### 5.1 Training and test data and evaluation metrics

In order to account for performance bounds due to subject disagreement, we assess prediction performance with respect to the scores of all subjects instead of their mean. For each task  $r$ , let us denote by  $\{y_{jrm}\}$  the set of subjective scores of all sounds  $j$  by all subjects  $m$  and by  $\bar{y}_r$  its mean. For a given objective measure, we denote by  $x_{jrm}$  the prediction of  $y_{jrm}$ , which does not depend on  $m$ , and by  $\bar{x}_r$  the mean of  $\{x_{jrm}\}$ . Each objective measure is evaluated via the following criteria, as defined in [29]:

- the prediction *accuracy* given by Pearson’s linear correlation coefficient 
$$\frac{\sum_{jm}(x_{jrm}-\bar{x}_r)(y_{jrm}-\bar{y}_r)}{\sqrt{\sum_{jm}(x_{jrm}-\bar{x}_r)^2}\sqrt{\sum_{jm}(y_{jrm}-\bar{y}_r)^2}},$$
- the prediction *monotonicity* given by Spearman’s rank correlation, *i.e.* the linear correlation coefficient between  $n_{jrm}^x$  and  $n_{jrm}^y$  where  $n_{jrm}^x$  (resp.  $n_{jrm}^y$ ) is the rank of  $x_{jrm}$  (resp.  $y_{jrm}$ ) after sorting in ascending order,
- the prediction *consistency* given by  $1 - R_o$ , where the outlier ratio  $R_o$  is the proportion of sounds  $j$  and subjects  $m$  for which the prediction error  $|x_{jrm} - y_{jrm}|$  is larger than twice the standard deviation of the subjective scores for that sound<sup>7</sup>.

These criteria are expressed as real-valued figures between -1 and 1 or between 0 and 1.

The subjective scores collected in Section 3 were used both to train the neural network parameters and to test the resulting objective measures. We considered three cross-validation settings by splitting the data into a training set and a test set according to the 10 mixtures, to the 20 subjects or both. These settings did not significantly affect the trends of the results. In the following, we consider the most challenging setting aiming to predict the quality of a novel sound for an unknown subject. For each of 200 folds, the subjective scores of 19 subjects over 9 mixtures are used for training while testing is performed on the scores of the remaining subject over the remaining mixture. The number of sigmoids  $K$  was adjusted for each task and each feature vector so as to maximize accuracy. The optimal number ranges from 2 to 8.

Although the sounds from actual separation algorithms and the hidden references and anchors were both used for training, we report the results for the former only. Considering anchor sounds and, most importantly, hidden references in addition to real-world sounds would increase accuracy and monotonicity by about 0.2 and 0.1 respectively.

## 5.2 Choice of the decomposition parameters

As a preliminary experiment, we analyzed the performance of the OPS measure for the prediction of global quality as a function of the frame length  $T$  and the filter length  $L$  of the distortion decomposition algorithm. The results are reported in Table 4 for five different settings of  $T$  and  $L$  expressed in ms at 1 kHz. All performance figures exhibit very small variations on the order of  $\pm 0.02$ . Thus, these parameters do not have a crucial influence. The optimal lengths corresponding to  $T = 500$  ms and  $L = 40$  ms at 1 kHz are used from now on.

## 5.3 Prediction of the global score with the OPS

Fig. 6 presents the main results regarding the assessment of global quality. Performance is analyzed as a function of the chosen distortion decomposition algorithm, distortion salience metrics and feature vector configuration. The proposed OPS measure achieves the best performance in terms of accuracy,

<sup>7</sup>Note that outliers in the current section and in section 3.2.1 refer to different definitions.

$T_{1\text{kHz}}$ (ms)	300	300	500	500	1000
$L_{1\text{kHz}}$ (ms)	10	20	20	40	40
Accuracy	0.60	0.60	0.60	0.60	0.58
Monotonicity	0.57	0.56	0.56	0.57	0.55
Consistency	0.86	0.86	0.86	0.87	0.85

Table 4: Performance of the OPS measure as a function of the frame length  $T$  and the filter length  $L$  of the distortion decomposition algorithm expressed in ms at 1 kHz.

monotonicity and consistency and improves accuracy by more than 0.2 compared to nonlinear mapping of the SDR. The use of PEMO-Q instead of energy ratios results in a dramatic increase of accuracy of more than 0.1. This definitely validates the exploitation of auditory-based salience metrics. A smaller improvement on the order of 0.02 is observed when replacing the state-of-the-art decomposition [17] by the proposed one. Finally, accuracy improves by about 0.1 when using all four distortion salience features instead of a single feature corresponding to the overall distortion signal. This confirms that the decomposition of the distortion signal into several components is beneficial even for global quality assessment, given that listeners may associate a different weight to each kind of distortion. Nevertheless, the performance of the OPS remains somewhat below the upper performance bound corresponding to perfect prediction of the mean score of all subjects, which suggests that room is left for future improvement.

Table 5 further compares the proposed OPS measure with a number of objective measures for the evaluation of denoising or coding [18; 30–32] and source separation [12, p. 7] systems. These measures were scaled and shifted so as to ensure a fair evaluation of consistency. The OPS outperforms all concurrent measures. On average, conventional auditory-motivated measures do not perform better than energy ratio-based measures, while spectral distance-based measures perform worse despite their appropriateness for speech recognition [5]. The composite measure in [32] provides similar accuracy and monotonicity to the OPS but lower consistency, which indicates that the OPS generates fewer outlier values.

#### 5.4 Prediction of specific scores with the TPS, IPS and APS

The results for the assessment of the preservation of the target source (task 2), the suppression of other sources (task 3) and the absence of additional artificial noise (task 4), are reported in Fig. 7. Performance is analyzed again as a function of the chosen distortion decomposition algorithm, distortion salience metrics and feature vector configuration.

As a general trend, predicting these specific scores seems to be more difficult than predicting the global score. In particular, the accuracy and monotonicity appear comparable to those of Fig. 6 for task 3 but 0.1 to 0.2 below for tasks 2 and 4. This is mostly due to the fact that a larger consensus between subjects was observed for the assessment of interference suppression than for that of target preservation and artificial noise.

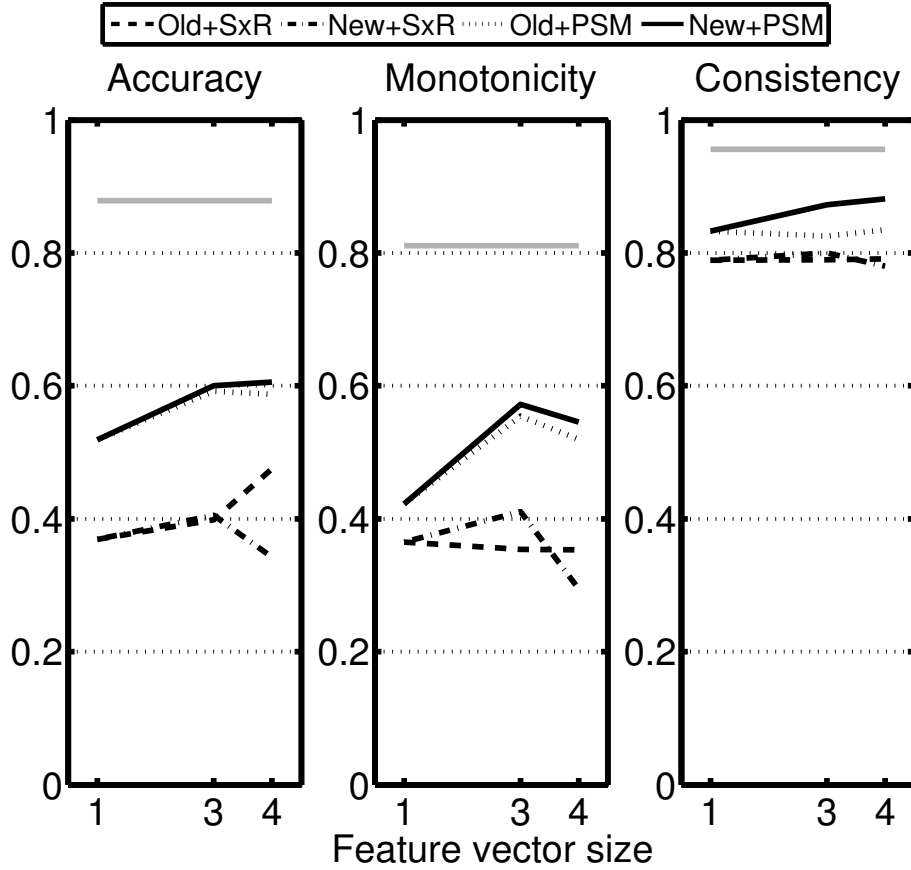


Figure 6: Global score prediction performance as a function of the size of the feature vector, corresponding to different feature vector configurations shown in the first column of Table 3. The four curves correspond to the use of the state-of-the-art [17] (Old) *vs.* the proposed (New) distortion decomposition algorithm and of energy ratio-based (SxR) *vs.* PEMO-Q-based (PSM) salience features. The solid curves corresponds to the proposed OPS measure. The gray lines indicates the upper performance bound corresponding to perfect prediction of the mean score of all subjects.

The benefit of the proposed measures appears most obvious for task 2. The TPS using all four distortion salience features increases accuracy and monotonicity by 0.5 or more compared to nonlinear mapping of the ISR in [17]. Again, this is due both to the proposed distortion decomposition algorithm and to the use of PEMO-Q. By contrast, the best results for tasks 3 and 4 are obtained when using a single feature corresponding to the interference component or to the artifacts component respectively. The APS provides a smaller performance improvement on the order of 0.1 compared to nonlinear mapping of the SAR in [17] while the IPS provides small performance decrease compared to nonlinear mapping of the SIR in [17]. Note that the IPS remains nevertheless better than the SIR in [17] in the absence of nonlinear mapping.

Objective measure	Accuracy	Monotonicity	Consistency
Energy ratio-based measures			
SNR [32]	0.41	0.42	0.72
Segmental SNR [32]	0.51	0.48	0.80
Freq.-wei. seg. SNR [32]	0.59	0.52	0.84
Spectral distance-based measures			
Itakura-Saito [32]	0.11	0.30	0.63
LLR [32]	0.39	0.46	0.76
Cepstrum dist. [32]	0.44	0.45	0.79
WSS [32]	0.46	0.46	0.78
Auditory-motivated measures			
PEAQ [18]	0.45	0.54	0.75
PESQ [30; 31]	0.54	0.48	0.83
Composite measures			
Fox et al. [12, p. 7]	0.23	0.20	0.34
Composite meas. [32]	0.61	0.56	0.83
<b>OPS</b>	<b>0.60</b>	<b>0.57</b>	<b>0.87</b>

Table 5: Global score prediction performance achieved by various state-of-the-art audio quality measures compared to the proposed OPS measure.

Hence, the major benefit of the proposed measures concerns the assessment of target distortion rather than that of interference suppression and artificial noise. This can be explained by the fact that the salience of target distortion is badly assessed via an energy ratio due to the strong perceptual correlation between the target signal and the target distortion component. By contrast, interference and artifacts components are relatively independent from the target, so that fewer auditory masking effects arise.

## 6 The PEASS toolkit

We released the 80 test sounds and the subjective scores of Section 3 as well as Matlab software implementing the OPS, TPS, IPS and APS measures proposed in Section 4 as a toolkit called PEASS, standing for Perceptual Evaluation methods for Audio Source Separation<sup>8</sup>. The former are freely available under Creative Commons licenses, while the latter is freely available under the GNU Public License, except for PEMO-Q which is free for academic use only. Among all system configurations tested in Sec. 5, we select the one leading to the best accuracy for each of the four measures. This toolkit can be used both for the evaluation of existing and future audio source separation algorithm and for the training of future performance measures. This toolkit is also part of the evaluation measures used within the 2010 Signal Separation Evaluation Campaign (SiSEC) [25].

<sup>8</sup><http://bass-db.gforge.inria.fr/peass/>



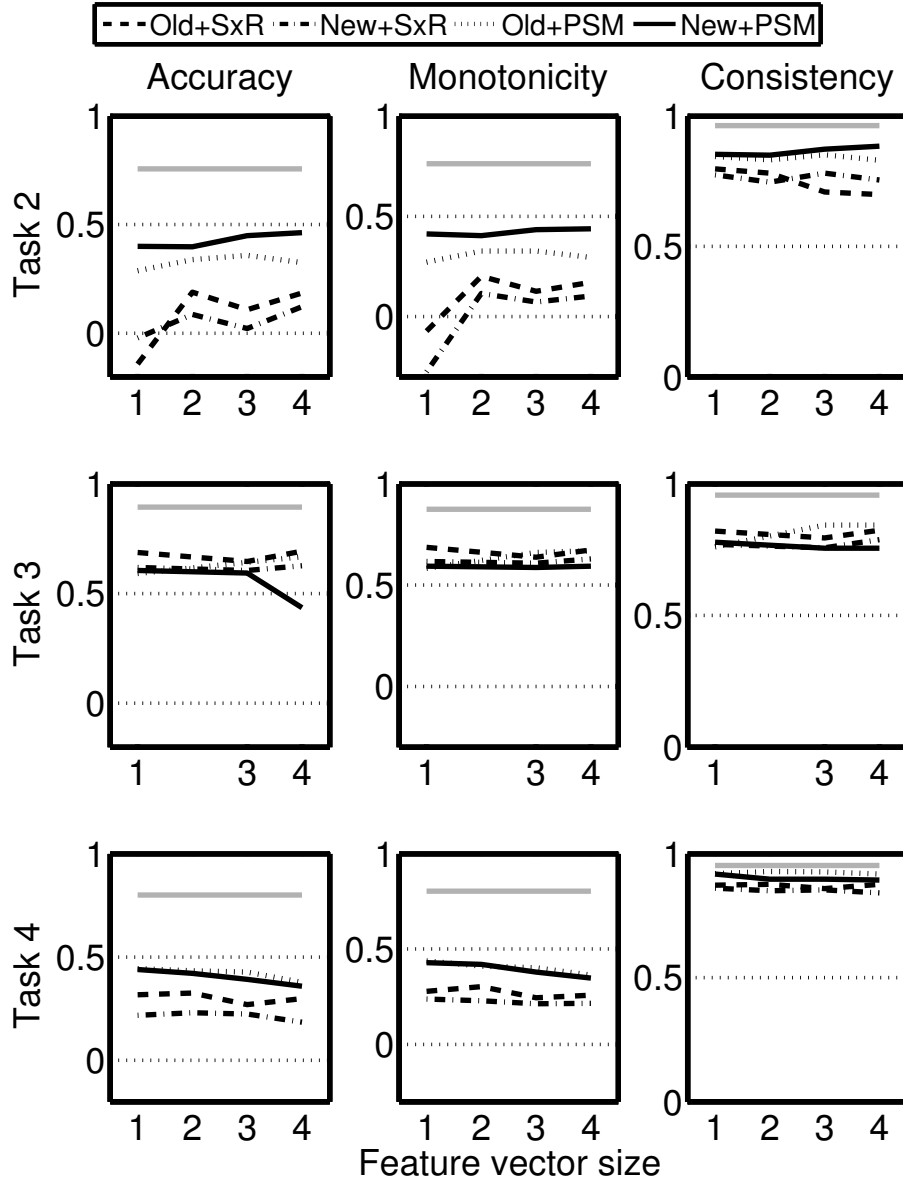


Figure 7: Prediction performance of specific scores as a function of the size of the feature vector, corresponding to different feature vector configurations shown in Table 3. The four curves correspond to the use of the state-of-the-art [17] (Old) *vs.* the proposed (New) distortion decomposition algorithm and of energy ratio-based (SxR) *vs.* PEMO-Q-based (PSM) salience features. The solid curves correspond to the proposed TPS, IPS and APS measures. The gray line indicates the upper performance bound corresponding to perfect prediction of the mean score of all subjects.

## 7 Conclusion

We proposed a dedicated multi-criteria protocol for the subjective evaluation of audio source separation and a family of objective measures aiming to predict the resulting subjective scores. Four quality criteria were considered, namely global quality, preservation of the target source, suppression of other sources and absence of additional artificial noise. We collected a database of 6400 subjective scores for a wide variety of mixtures and separation algorithms and showed that the proposed OPS, TPS, IPS and APS measures increase correlation with subjective scores up to 0.5 compared to nonlinear mapping of the individual state-of-the-art SDR, ISR, SIR and SAR source separation measures. These results show the benefit of auditory-based methods for the decomposition of the distortion signal into multiple components and for the assessment of the salience of each component, as well as the need of combining multiple salience features for the assessment of global quality and target distortion.

We hope that the proposed subjective test protocol could become the basis for a future improved standardized subjective test protocol. Also, we believe that the proposed objective measures could be adapted to evaluate the perceived quality in different application scenarios where the sources are not directly listened to, but subject to remixing or simultaneous 3D rendering, enabling the evaluation of advanced rendering attributes which cannot be accurately computed from the mixture today. The target signal to be estimated would then be the remix or the rendering of the true sources and the proposed decomposition procedure could be used to decompose the distortion into interference resulting in spatial spreading of the rendered sources and artifacts which may or may not be heard depending on the presence of maskers.

## References

- [1] D. L. Wang and G. J. Brown, Eds., *Computational Auditory Scene Analysis: Principles, Algorithms and Applications*. Wiley/IEEE Press, 2006.
- [2] E. Vincent, M. G. Jafari, S. A. Abdallah, M. D. Plumbley, and M. E. Davies, "Probabilistic modeling paradigms for audio source separation," in *Machine Audition: Principles, Algorithms and Systems*, W. Wang, Ed. IGI Global, 2010.
- [3] E. Vincent, C. Févotte, R. Gribonval, X. Rodet, É. Le Carpentier *et al.*, "A tentative typology of audio source separation tasks," in *Proc. 4th Int. Symp. on Independent Component Analysis and Blind Signal Separation (ICA)*, 2003, pp. 715–720.
- [4] D. P. W. Ellis, "Evaluating speech separation systems," in *Speech Separation by Humans and Machines*. Kluwer, 2004, ch. 20, pp. 295–304.
- [5] L. D. Persia, D. Milone, H. L. Rufiner, and M. Yanagida, "Perceptual evaluation of blind source separation for robust speech recognition," *Signal Processing*, vol. 88, no. 10, pp. 2578 – 2583, 2008.
- [6] E. Vincent, R. Gribonval, and C. Févotte, "Performance measurement in blind audio source separation," *IEEE Trans. Audio, Speech and Lang. Process.*, vol. 14, no. 4, pp. 1462–1469, Jul. 2006.

- 
- [7] Ö. Yılmaz and S. T. Rickard, “Blind separation of speech mixtures via time-frequency masking,” *IEEE Trans. on Signal Processing*, vol. 52, no. 7, pp. 1830–1847, 2004.
- [8] J. Joby, “Why only two ears? some indicators from the study of source separation using two sensors,” Ph.D. dissertation, Department of Electrical Communication Engineering, Indian Institute of Science, Bangalore, 2004.
- [9] S. Araki, S. Makino, H. Sawada, and R. Mukai, “Reducing musical noise by a fine-shift overlap-add method applied to source separation using a time-frequency mask,” in *Proc. 2005 IEEE Int. Conf. on Acoustics, Speech, and Signal Processing (ICASSP)*, vol. 3, 2005, pp. 81–84.
- [10] R. Prasad, “Fixed-point ICA based speech signal separation and enhancement with generalized Gaussian model,” Ph.D. dissertation, Nara Insitute of Science and Technology, 2005.
- [11] E. Vincent, M. G. Jafari, and M. D. Plumbley, “Preliminary guidelines for subjective evaluation of audio source separation algorithms,” in *Proc. UK ICA Research Network Workshop*, 2006.
- [12] B. Fox, A. Sabin, B. Pardo, and A. Zopf, “Modeling perceptual similarity of audio signals for blind source separation evaluation,” in *Proc. 7th Int. Conf. on Independent Component Analysis and Signal Separation (ICA)*, 2007, pp. 454–461.
- [13] J. Kornycky, B. Gunel, and A. Kondozi, “Comparison of subjective and objective evaluation methods for audio source separation,” *Proceedings of Meetings on Acoustics*, vol. 4, no. 1, pp. 050 001–050 001–10, 2008.
- [14] M. G. Jafari, E. Vincent, S. A. Abdallah, M. D. Plumbley, and M. E. Davies, “An adaptive stereo basis method for convolutive blind audio source separation,” *Neurocomputing*, vol. 71, no. 10-12, pp. 2087–2097, 2008.
- [15] ITU, “ITU-T Recommendation P.835: Subjective test methodology for evaluating speech communication systems that include noise suppression algorithm,” 2003.
- [16] —, “ITU-R Recommendation BS.1534-1: Method for the subjective assessment of intermediate quality levels of coding systems,” 2003.
- [17] E. Vincent, H. Sawada, P. Bofill, S. Makino, and J. P. Rosca, “First Stereo Audio Source Separation Evaluation Campaign: Data, algorithms and results,” in *Proc. 7th Int. Conf. on Independent Component Analysis and Signal Separation (ICA)*, 2007, pp. 552–559.
- [18] ITU, “ITU-R Recommendation BS.1387-1: Method for objective measurements of perceived audio quality,” 2001.
- [19] T. Rohdenburg, V. Hohmann, and B. Kollmeier, “Objective perceptual quality measures for the evaluation of noise reduction schemes,” in *Proc. 2005 Int. Workshop on Acoustic Echo and Noise Control (IWAENC)*, 2005, pp. 169–172.

- [20] Y. Hu and P. Loizou, "Evaluation of objective quality measures for speech enhancement," *IEEE Trans. Audio, Speech and Lang. Proces.*, vol. 16, no. 1, pp. 229–238, Jan. 2008.
- [21] T. Etame Etame, R. Le Bouquin Jeannès, C. Quinquis, L. Gros, and G. Faucon, "Towards a new reference system for subjective evaluation of coding techniques," in *Proc. 17th European Signal Processing Conf. (EU-SIPCO)*, 2009, pp. 914–918.
- [22] ISO, "ISO 532: Acoustics – method for calculating loudness level," 1975.
- [23] E. Vincent, S. Araki, and P. Bofill, "The 2008 Signal Separation Evaluation Campaign: A community-based approach to large-scale evaluation," in *Proc. 8th Int. Conf. on Independent Component Analysis and Signal Separation (ICA)*, 2009, pp. 734–741.
- [24] P. J. Rousseeuw and B. C. van Zomeren, "Unmasking multivariate outliers and leverage points," *Journal of the American Statistical Association*, vol. 85, no. 411, pp. 633–639, 1990.
- [25] S. Araki, A. Ozerov, V. Gowreesunker, H. Sawada, F. Theis *et al.*, "The 2010 Signal Separation Evaluation Campaign (SiSEC2010)– Part II–: Audio source separation challenges," in *Proc. 9th Int. Conf. on Independent Component Analysis and Signal Separation (ICA)*, 2010.
- [26] V. Hohmann, "Frequency analysis and synthesis using a Gammatone filterbank," *Acta Acustica*, vol. 88, no. 3, pp. 433–442, 2002.
- [27] T. Herzke and V. Hohmann, "Improved numerical methods for gammatone filterbank analysis and synthesis," *Acta Acustica*, vol. 93, no. 3, pp. 498–500, 2007.
- [28] R. Huber and B. Kollmeier, "PEMO-Q – A New Method for Objective Audio Quality Assessment Using a Model of Auditory Perception," *IEEE Trans. Audio, Speech and Lang. Proces.*, vol. 14, no. 6, pp. 1902–1911, Nov. 2006.
- [29] S. Winkler, *Digital Video Quality: Vision Models and Metrics*. Wiley, 2005.
- [30] ITU, "ITU-T Recommendation P.862: Perceptual evaluation of speech quality (PESQ): An objective method for end-to-end speech quality assessment of narrow-band telephone networks and speech codecs," Feb. 2001.
- [31] A. W. Rix, J. G. Beerends, M. P. Hollier, and A. P. Hekstra, "Perceptual evaluation of speech quality (PESQ)-a new method for speech quality assessment of telephone networks and codecs," *Proc. 2001 IEEE Int. Conf. on Acoustics, Speech, and Signal Processing (ICASSP)*, vol. 2, pp. 749 – 752, 2001.
- [32] P. Loizou, *Speech enhancement: theory and practice*. CRC press, Boca Raton, FL, USA, 2007.

## Contents

<b>1</b>	<b>Introduction and state of the art</b>	<b>3</b>
<b>2</b>	<b>Multi-criteria subjective test protocol</b>	<b>4</b>
2.1	Protocol . . . . .	4
2.2	Anchor sounds . . . . .	6
<b>3</b>	<b>Database of subjective scores</b>	<b>6</b>
3.1	Test material and subjects . . . . .	7
3.1.1	Test material . . . . .	7
3.1.2	Subjects . . . . .	7
3.2	Statistical analysis of the results . . . . .	8
3.2.1	Detection of outlier subjects . . . . .	8
3.2.2	Effect of location . . . . .	8
3.2.3	Statistical analysis for hidden references and anchors . . . . .	8
3.2.4	Statistical analysis for test sounds produced by separation schemes . . . . .	9
<b>4</b>	<b>Multi-criteria objective measures</b>	<b>9</b>
4.1	Distortion component model and estimation . . . . .	10
4.1.1	Time-frequency analysis . . . . .	12
4.1.2	Joint least-squares decomposition . . . . .	12
4.1.3	Time-domain resynthesis . . . . .	13
4.2	Evaluation of the signal decomposition . . . . .	13
4.3	Component-based objective measures . . . . .	14
4.3.1	Component-wise salience features . . . . .	15
4.3.2	Nonlinear mapping . . . . .	16
<b>5</b>	<b>Evaluation of the objective measures</b>	<b>17</b>
5.1	Training and test data and evaluation metrics . . . . .	17
5.2	Choice of the decomposition parameters . . . . .	18
5.3	Prediction of the global score with the OPS . . . . .	18
5.4	Prediction of specific scores with the TPS, IPS and APS . . . . .	19
<b>6</b>	<b>The PEASS toolkit</b>	<b>21</b>
<b>7</b>	<b>Conclusion</b>	<b>23</b>



---

Centre de recherche INRIA Rennes – Bretagne Atlantique  
IRISA, Campus universitaire de Beaulieu - 35042 Rennes Cedex (France)

Centre de recherche INRIA Bordeaux – Sud Ouest : Domaine Universitaire - 351, cours de la Libération - 33405 Talence Cedex  
Centre de recherche INRIA Grenoble – Rhône-Alpes : 655, avenue de l'Europe - 38334 Montbonnot Saint-Ismier  
Centre de recherche INRIA Lille – Nord Europe : Parc Scientifique de la Haute Borne - 40, avenue Halley - 59650 Villeneuve d'Ascq  
Centre de recherche INRIA Nancy – Grand Est : LORIA, Technopôle de Nancy-Brabois - Campus scientifique  
615, rue du Jardin Botanique - BP 101 - 54602 Villers-lès-Nancy Cedex  
Centre de recherche INRIA Paris – Rocquencourt : Domaine de Voluceau - Rocquencourt - BP 105 - 78153 Le Chesnay Cedex  
Centre de recherche INRIA Saclay – Île-de-France : Parc Orsay Université - ZAC des Vignes : 4, rue Jacques Monod - 91893 Orsay Cedex  
Centre de recherche INRIA Sophia Antipolis – Méditerranée : 2004, route des Lucioles - BP 93 - 06902 Sophia Antipolis Cedex

---

Éditeur  
INRIA - Domaine de Voluceau - Rocquencourt, BP 105 - 78153 Le Chesnay Cedex (France)  
<http://www.inria.fr>  
ISSN 0249-6399