



HAL
open science

Computing Largest Circles Separating Two Sets of Segments

Jean-Daniel Boissonnat, Jurek Czyzowicz, Olivier Devillers, Jorge Urrutia,
Murielle Yvinec

► **To cite this version:**

Jean-Daniel Boissonnat, Jurek Czyzowicz, Olivier Devillers, Jorge Urrutia, Murielle Yvinec. Computing Largest Circles Separating Two Sets of Segments. *International Journal of Computational Geometry and Applications*, 2000, 10, pp.41–54. 10.1142/S0218195900000036 . inria-00338701

HAL Id: inria-00338701

<https://inria.hal.science/inria-00338701>

Submitted on 14 Nov 2008

HAL is a multi-disciplinary open access archive for the deposit and dissemination of scientific research documents, whether they are published or not. The documents may come from teaching and research institutions in France or abroad, or from public or private research centers.

L'archive ouverte pluridisciplinaire **HAL**, est destinée au dépôt et à la diffusion de documents scientifiques de niveau recherche, publiés ou non, émanant des établissements d'enseignement et de recherche français ou étrangers, des laboratoires publics ou privés.

COMPUTING LARGEST CIRCLES SEPARATING TWO SETS OF SEGMENTS*

JEAN-DANIEL BOISSONNAT[†]

INRIA, B.P. 93, 06902 Sophia-Antipolis cedex (France)

JUREK CZYZOWICZ[‡]

Département d'informatique, Université du Québec à Hull (Canada)

OLIVIER DEVILLERS[§]

INRIA, B.P. 93, 06902 Sophia-Antipolis cedex (France)

JORGE URRUTIA

Dept. of Computer Science, University of Ottawa (Canada)

MARIETTE YVINEC[¶]

INRIA and Laboratoire I3S, URA CNRS 1376, 250 rue Albert Einstein, Sophia Antipolis (France)

Received July 1997

Revised In Submission

Communicated by F. Preparata

ABSTRACT

A circle C separates two planar sets if it encloses one of the sets and its open interior disk does not meet the other set. A separating circle is a largest one if it cannot be locally increased while still separating the two given sets. An $\Theta(n \log n)$ optimal algorithm is proposed to find all largest circles separating two given sets of line segments when line segments are allowed to meet only at their endpoints. In the general case, when line segments may intersect $\Omega(n^2)$ times, our algorithm can be adapted to work in $O(n\alpha(n) \log n)$ time and $O(n\alpha(n))$ space, where $\alpha(n)$ represents the extremely slowly growing inverse of the Ackermann function.

Keywords: Computational geometry, circles, separability

*Research of J. Czyzowicz and J. Urrutia are supported by NSERC. Short version of this paper appeared in 8CCCG, 1996.

[†]Jean-Daniel.Boissonnat@ sophia.inria.fr

[‡]czyzowicz@ uqah.quebec.ca

[§]Olivier.Devillers@ sophia.inria.fr

[¶]Mariette.Yvinec@ sophia.inria.fr

1. Introduction

Let \mathcal{C} denote a family of Jordan curves in the plane. Two sets P and Q in the plane are \mathcal{C} -separable if there exists $\xi \in \mathcal{C}$, such that every point of one of these sets lies in the closed region inside ξ , and every point of the other set lies in the closed region outside ξ (points of ξ are considered both inside and outside). In this paper we restrict our consideration to elements of \mathcal{C} being circles. A circle $C(X, r)$, with center X and radius r , separating P from Q is said to be a largest separating circle if there is a neighborhood B of X such that there is no separating circle with radius strictly greater than r centered at a point in B . We propose an optimal algorithm to find all largest circles separating two given sets of line segments P and Q .

Some previous research on this subject concerned polygonal separability^{10,1,19} or its extension to higher dimensions, where the construction of a polyhedron with a small number of faces, separating two given polyhedra was considered.^{6,18,4} Line or hyperplane separability of two given sets of points may be solved using linear programming.¹⁷

The problem of circular separability was first considered in the context of applications in pattern recognition and image processing, in particular to recognize digital disks.^{12,11} Kim and Anderson¹² gave a quadratic algorithm to determine the circular separability of two finite sets of points. Bhattacharya² computed in $O(n \log n)$ time the set of centers of all circles that separate two given point sets. O'Rourke, Kosaraju and Megiddo²⁰ presented optimal algorithms for the circular separability of point sets. They determine the circular separability of two given point sets and find the smallest separating circle in linear time and all the largest separating circles in $O(n \log n)$ time. Their method is based on a well-known transformation that lifts the points on a paraboloid in 3-space and reduces the smallest separating circle problem for two point sets to a convex quadratic minimization problem in three dimensions. This method generalizes to spherical separability in higher dimensions. However it does not apply to the problem of circular separability of line segments. The problem of circular separability of two polygons has been considered and the smallest separating circle can be found in linear time.³

In the present paper, we consider the problem of finding all largest circles separating two given sets of line segments whose relative interiors do not intersect. An $O(n \log n)$ algorithm is given to solve this problem. As our algorithm works in the case where segments degenerate to single points, it may be considered as a generalization of the result of O'Rourke, Kosaraju, and Megiddo²⁰ to line segments.

Our algorithm can be adapted to work in the general case where line segments may intersect. In this case, it works in $O(n\alpha(n) \log^2 n)$ deterministic time or in $O(n\alpha(n) \log n)$ randomized time and requires $O(n\alpha(n))$ space, where $\alpha(n)$ is the extremely slowly growing inverse of the Ackermann function.

Overview of the paper

The paper is organized as follows. In section 2, we summarize some results about hierarchical decompositions of convex polyhedra and the representation of circles in the plane as points of a three dimensional space called the *space of circles*. Section 3 establishes a characterization of separating circles that are locally maximum. In

section 4, we generalize the hierarchical decompositions presented in section 2 and show how to find the intersections between a query line and some non polyhedral objects in logarithmic time. All these ingredients are combined in section 5 to yield an algorithm whose complexity is shown to be $O(n \log n)$ in section 6.

2. Preliminaries

Hierarchical decompositions

We will refer to the *hierarchical representation* of convex polygons introduced by Dobkin and Kirkpatrick.^{14,8} Originally, such a representation has been introduced for planar maps to solve the point location problem in optimal $O(\log n)$ time.

Hereafter, we use outer hierarchical representations. An outer hierarchical representation of a (possibly unbounded) convex polyhedron D is a nested sequence $D_0 \supset D_1 \supset \dots \supset D_k$ of (possibly unbounded) convex polyhedra, such that

1. D_0 has constant size (e.g. 4),
2. D_k is the polyhedron D ,
3. the set F_i of faces of D_i is obtained from F_{i+1} by removing a subset I_{i+1} of pairwise nonadjacent faces of D_{i+1} . Extending the remaining faces $F_{i+1} \setminus I_{i+1}$ will then form the polyhedron D_i .

It may be proved that, given a convex polyhedron D_{i+1} , it is possible to find a constant fraction of its faces that have a bounded number of edges and that are pairwise nonadjacent. As a consequence, the hierarchical representation of a convex polyhedron D with n vertices has depth $k = O(\log n)$. The whole hierarchical representation requires $O(n)$ space and can be computed in $O(n)$ time. After computing the hierarchical representation of a convex polyhedron, line intersection queries may be performed in $O(\log n)$ time.

Space of circles

The paper will use a well-known transformation Φ , mapping circles in the xy -plane (called *horizontal*) to points in the three-dimensional space which we will call the *space of circles*. According to this transformation, the image of a circle of radius r , centered at (x_0, y_0) , is the point (x_0, y_0, r) . Observe that the space of circles is in fact a halfspace, as it contains only points with non-negative z -coordinate. The images of the circles passing through a point (x_1, y_1) lie on the surface of a cone of revolution with vertical axis whose apex is the point $(x_1, y_1, 0)$ and whose angle is 45° . Such a cone will be called a *lifting cone* and denoted by $LC(x_1, y_1)$. Notice that the image of a circle tangent to a given line l lies in a halfplane containing l and making a 45° angle with the xy -plane. There are two such *lifting halfplanes*, $H^-(l)$ and $H^+(l)$, denoting the images of the circles tangent to l and centered, respectively, on the left- or the right-hand side of the oriented line l .

Let S denote the set of line segments s_1, s_2, \dots, s_m in the plane. The closest site Voronoi diagram of S , noted $Vor(S)$, is the partition of the plane into m regions, such that any point belonging to the i -th region is closer to s_i than to any other segment of S . Suppose that we want to decide whether a query disk contains a

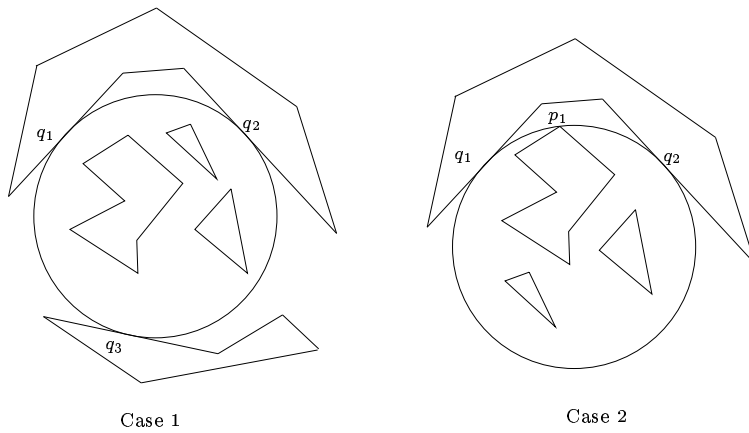


Figure 1: For Lemma 1

point of a given set S . Such a query may be answered quickly if the closest site Voronoi diagram of the set S has been precomputed. We first locate the Voronoi cell that contains the center of the query disk, which determines the closest segment s_i of S . The radius of the disk is then compared to the distance from its center to s_i .

Similarly, in order to decide whether a query disk entirely contains a given set of line segments S , we will precompute the furthest site Voronoi diagram of S , noted $FVor(S)$, which is just the furthest site Voronoi diagram of the vertices of the convex hull $CH(S)$ of S .

For the purpose of the paper, it is useful to introduce the following three-dimensional structure, which encapsulates all the information contained in the furthest site Voronoi diagram $FVor(S)$. For each vertex v of $CH(S)$, consider the cone $LC(v)$ and let $UE(S)$ denote the upper envelope of all such cones. A point of $UE(S)$ corresponds to a circle that encloses S and touches S at some point. Notice that $UE(S)$ is also the boundary of the intersection of the cones, which is convex. $UE(S)$ consists of conic faces glued together along hyperbolic edges. These arcs are contained in a vertical plane and projects onto the edges of $FVor(S)$.

3. Largest Separating Circles.

In the sequel, a segment is said to lie inside (resp. outside) a given circle C if it is included in the closed region that is inside (resp. outside) C ; such a segment and the circle C are allowed to be tangent, i.e. to meet at a single point. Two sets of segments P and Q are said to be in general position if they do not admit parallel segments and if there is no circle tangent to four segments of $P \cup Q$.

Lemma 1 *If C is a largest circle separating two given sets of segments P and Q in general position, P lying inside C and Q lying outside C , then one of the following two conditions must be verified (see Figure 1) :*

1. C is tangent to three segments of Q at points q_1 , q_2 and q_3 such that all three

arcs of C determined by these points are smaller than a semi-circle (see Fig. 1, case 1).

2. C is tangent to two segments of Q at points q_1 and q_2 , and meet the convex hull $CH(P)$ at a vertex p_1 , such that the arc q_1q_2 of C that passes through p_1 is smaller than a semi-circle, (see Fig 1, case 2).

Proof. Consider a separating circle C with P inside C and Q outside C . We will deform C until it becomes locally maximal.

We first grow C without moving its center until it touches Q at a point q_1 of some segment s_1 .

We then grow the circle so that it remains tangent to s_1 at q_1 . At some stage, the circle hits Q at a point q_2 of a segment s_2 .

We now keep the circle tangent to s_1 and s_2 and increase its radius. Either the smaller arc between q_1 and q_2 will hit a point of P , in which case Condition 2 holds, or the circle will hit a segment s_3 of Q . If Condition 1 holds, we are done. Otherwise, we exchange the role of s_1 or s_2 and s_3 and continue growing the circle.

◇

If Q admits parallel segments, a largest separating circle may be tangent to two parallel segments of Q without meeting P or touching a third segment in Q (see Fig. 2, case 1' or 2'). In such a case, there is an infinite number of largest separating circles that are tangent to those two segments of Q . However all those circles can be deduced by translation from two extremes circles which, in addition to the two contact points with parallel segments of Q , have a third contact point with P or Q . Our algorithm reports only the largest separating circles that have at least three contact points. When point sets P and Q are not in general situation, those circles may be in one of the degenerate cases listed in the lemma below.

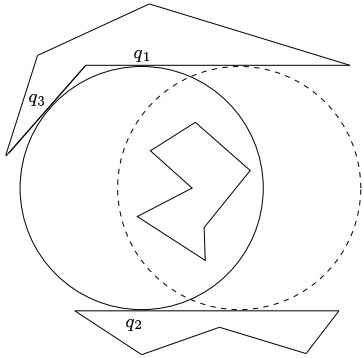
Lemma 2 *Let C be a largest circle separating two sets of segments P and Q , such that P lies inside C , Q lies outside C and C has at least three contact points with P and Q . Then, in addition to cases 1 and 2 of Lemma 1 above, C may be in one of the following degenerate cases (see Fig. 2) :*

- 1'. C is tangent to two parallel segments of Q (at two diametral points) and to a third segment in Q .
- 1''. C touches Q at two pairs of antipodal points.
- 2'. C is tangent to two parallel segments of Q and meet a vertex of $CH(P)$.
- 2''. C touches Q at two diametral points q_1 and q_2 and P at two vertices p_1 and p_2 such that the points $p_1, q_1, p_2,$ and q_2 appear in that cyclic order on circle C .

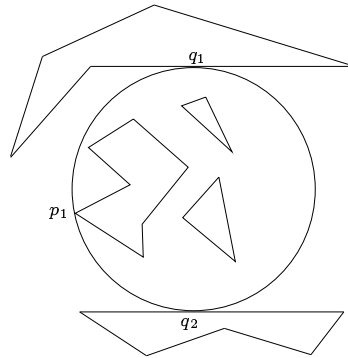
Proof. Easy generalization of proof of Lemma 1.

◇

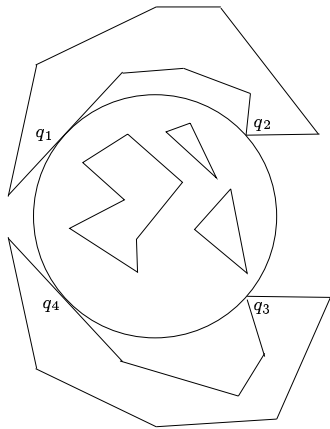
4. Intersecting Upper Envelope of Cones.



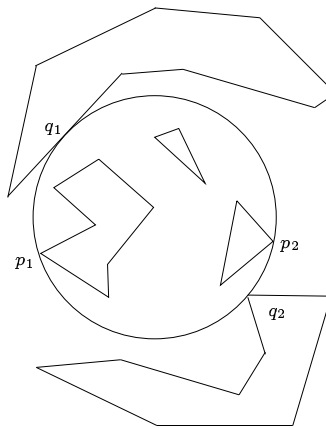
Case 1'



Case 2'



Case 1''



Case 2''

Figure 2: Degenerate cases of Lemma 2

For any set $S = \{s_1, s_2, \dots, s_n\}$ of points in the xy -plane let $LC(S)$ denote the family of cones $LC(s_1), LC(s_2), \dots, LC(s_n)$ and $UE(S)$ their upper envelope. In this section, we will adapt the hierarchical representation of polyhedra to obtain the following theorem :

Theorem 3 *Let $LC(S)$ be a family of cones and F be the set of lines of the three-dimensional space. It is possible to preprocess $LC(S)$ in $O(n \log n)$ time and $O(n)$ space so that the intersections of $UE(S)$ with a query line $l \in F$ can be found in $O(\log n)$ time.*

Proof. According to an earlier observation, the projection on the xy -plane of the edges of $UE(S)$ is a planar straight-line subdivision of size $O(n)$ whose cells are unbounded. In linear time, it is possible to find a fraction of its faces that are pairwise nonadjacent and such that each face has a bounded number of edges. After eliminating from S the apexes of the cones corresponding to those faces we are left with a subset S' of S . By repeating this process, we construct a hierarchical representation $S_1 \subset S_2 \subset \dots \subset S_k = S$, where S_1 is a single point. We obtain as well a hierarchy $G(S_1), G(S_2) \dots G(S_k)$ of $k = O(\log n)$ straight-line planar subdivisions, such that any face of $G(S_i)$ intersects a bounded number of faces of $G(S_{i-1})$ and vice versa. Using Kirkpatrick's technique,¹⁴ this hierarchical representation can be found in $O(n)$ time and requires $O(n)$ space.

As already observed, $UE(S)$ is the boundary of the intersection of the cones $LC(S)$, which is convex. As a consequence, a line l intersects $UE(S)$ in at most two points. In fact, if l intersects $UE(S)$ in two points, it intersects each $UE(S_i)$, $i = 1, 2, \dots, k$, in two points, and, if l intersects $UE(S)$ in a single point, it intersects each $UE(S_i)$ in a single point. Suppose that we know an intersection x of a query line l with $UE(S_{i-1})$ and the face of $G(S_{i-1})$ that contains the projection x' of x . In constant time, we can compute the corresponding intersection of l with $UE(S_i)$, as well as the face of $G(S_i)$ that contains its projection. In $k = O(\log n)$ steps, each one taking a constant time, we can compute the intersection of l with $UE(S)$.

◇

Note that, as $UE(S_i)$ is contained in $UE(S_{i-1})$, it may happen that l intersects $UE(S_{i-1})$ but not $UE(S_i)$.

Suppose that, instead of a line, the query curve $\zeta \in F$ belongs to one of the three following categories:

1. $\zeta = LC(x_1, y_1) \cap LC(x_2, y_2)$ is the intersection of two cones for two points (x_1, y_1) and (x_2, y_2) of the xy -plane,
2. $\zeta = LC(x_1, y_1) \cap H^+(l)$ is the intersection of a cone and a halfplane, for a point (x_1, y_1) and an oriented line l of the xy -plane,
3. $\zeta = H^+(l_1) \cap H^+(l_2)$ is the intersection of two halfplanes.

Family F contains now branches of hyperbola, parabolas and lines. The above theorem generalizes then to

Theorem 4 *Let F be a family of curves in three dimensions such that any curve $\zeta \in F$ is an intersection of two surfaces, each of these surfaces being either a cone or a halfplane.*

1. *There are at most two intersections of $\zeta \in F$ with $UE(S')$, for any $S' \subseteq S$.*
2. *It is possible to preprocess the cones $LC(S)$ in $O(n)$ time, using $O(n)$ space, so that the intersections of $UE(S)$ with a query curve $\zeta \in F$ can be found in $O(\log n)$ time.*

Proof. Let $\zeta \in F$. ζ is the image by Φ of the set of circles tangent to t and t' where t and t' are either points or lines. Let q be a moving point on ζ and $p \in S$. Imagine that q moves along ζ starting from infinity. At some position $q = q_p^{in}$, p enters the circle $\Phi^{-1}(q)$ and, at some position $q = q_p^{out}$, p gets out of the circle and remains outside the circle while q goes towards the other point at infinity on ζ . Thus ζ intersects $LC(p)$ in two points q_p^{in} and q_p^{out} . Now, consider the intersection of ζ with $UE(S')$. Consider as above a moving point q on ζ . Let $q_{S'}^{in}$ be the last of the q_p^{in} and let $q_{S'}^{out}$ be the first of the q_p^{out} . At $q_{S'}^{in}$, q has entered all the cones $LC(p)$ for all $p \in S'$ and, at $q_{S'}^{out}$, q gets out of one of the cones $LC(p)$ for some $p \in S'$ and will never get in again. Thus if $q_{S'}^{in}$ lies before $q_{S'}^{out}$ along ζ , then ζ intersects $UE(S')$ twice, otherwise $\zeta \cap UE(S') = \emptyset$. Point 1 of the lemma is proved.

Point 2 is a direct generalization of Theorem 3. Given the hierarchical decomposition of $S = S_k \supset \dots \supset S_2 \supset S_1$, if the intersection between ζ and $UE(S_{i-1})$ is known, the possible intersections between ζ and $UE(S_i)$ can clearly be determined in constant time. \diamond

5. The Algorithm.

Before turning our attention to the algorithm, we make a few simple observations about the images of some families of circles in the space of circles.

Fact 5 *The image (by Φ) of a family of circles passing through two given points s_1 and s_2 is the branch of hyperbola $LC(s_1) \cap LC(s_2)$.*

Fact 6 *The image (by Φ) of a family of circles tangent to a given oriented line l_1 lying on the right of l_1 , and passing through a given point s_1 is the parabola $LC(s_1) \cap H^+(l_1)$.*

Fact 7 *The image (by Φ) of a family of circles tangent to two given oriented lines l_1 and l_2 and lying on the right of l_1 and l_2 is the line $H^+(l_1) \cap H^+(l_2)$.*

To find the largest circles separating two sets of line segments P and Q , we will run the algorithm given below twice. The algorithm looks first for the largest separating circles C enclosing P and in a second run, the roles of P and Q are exchanged. The algorithm will report all largest separating circles with at least three contact points.

The idea of the algorithm is to search all the circles that verify one of the conditions of Lemmas 1 or 2. Consider first Conditions 1, 1' or 1''. Any circle C tangent to Q at three points and not containing any point of Q in its interior is centered at a vertex of $Vor(Q)$, the closest site Voronoi diagram of the set of line

segments Q . For each such vertex v , we determine which face of $FVor(P)$ it belongs to. This way, we can compute the distance from v to its furthest point in P . If this distance appears to be smaller than the radius of the Voronoi circle C centered at v , C separates P and Q . In such a case, if C verifies conditions 1, 1' or 1'', it is reported as a largest separating circle.

When the separating circle C verifies the condition 2 of Lemma 1 or one of the degenerated conditions 2' and 2'' of Lemma 2, it must be tangent to $CH(P)$ at some vertex p_1 , and tangent to Q at two points q_1 and q_2 . The first condition means that $\Phi(C)$ lies on $UE(P)$, within the face corresponding to vertex p_1 . At the same time, the center of C lies on a Voronoi edge of $Vor(Q)$ equidistant from q_1 and q_2 . Suppose that q_1 and q_2 are internal points of two edges of Q , then, in the space of circles, $\Phi(C)$ lies on a segment whose supporting line is determined according to Fact 7. Similarly, if q_1 or q_2 are endpoints of segments of Q , the corresponding edge of $Vor(Q)$ is mapped in the space of circles to a parabola segment or to a hyperbola segment as stated in Facts 5 and 6. Thus, to find the largest separating circles that fulfill conditions 2, 2' or 2'', it is sufficient to examine in turn all the $O(n)$ edges of $Vor(Q)$. For each edge of $Vor(Q)$, we compute the intersection of the line, parabola or hyperbola segment that is the image of the largest circles centered on this edge with the envelope $UE(P)$. The hierarchical representation of $UE(P)$ is used for this purpose. Each point of intersection corresponding to a circle satisfying one of the conditions 2, 2' or 2'' is reported as a largest separating circle.

Algorithm All Largest Separating Circles

Input: Two sets of line segments P and Q with a total of n segments whose relative interiors do not intersect.

Output: All largest separating circles C , with P inside C , Q outside C , and at least three contact points.

1. Compute $FVor(P)$, the furthest site Voronoi diagram of the vertices of the convex hull $CH(P)$ of set P ; compute $UE(P)$, the image of $FVor(P)$ in the space of circles.
2. Compute the hierarchical representation of $UE(P)$.
3. Compute $Vor(Q)$, the closest site Voronoi diagram of the set Q .
4. **for** each vertex v of $Vor(Q)$
 - 4.1. Compute the distance $d(v, Q)$ from v to Q .
 - 4.2. Locate v in a face of $FVor(P)$ and compute $d(v, FVor(P))$, the distance from v to its most distant vertex in P .
 - 4.3. **if** $d(v, Q) \geq d(v, FVor(P))$ **and** one of the conditions 1, 1' or 1'' holds for the circle C centered at v with radius $d(v, Q)$ **then** **Output**(C).
5. **for** each edge e of $Vor(Q)$
 - 5.1. Compute the curve segment z in the space of circles that is the image of the two largest circles centered on e and tangent to Q . Let ζ be the curve (line, parabola or hyperbola) supporting z .
 - 5.2. Compute x_1 and x_2 , the at most two intersections of ζ with $UE(CH(P))$ if they exist.
 - 5.3. **for** $i = 1, 2$ **if** $x_i \in z$ **and** x_i is the image of a circle C_i such that conditions 2, 2' or 2'' hold **then** **Output**(C_i).

End of the Algorithm

The correctness of the algorithm directly follows from Lemmas 1, 2 and the previous discussion.

6. Complexity of the Algorithm.

The computation of the furthest site Voronoi diagram in step 1 takes $O(n \log n)$ time and $O(n)$ space by well known algorithms.¹³ The upper envelope $UE(P)$ is obtained in $O(n)$ time by lifting each face and edge of $FVor(P)$ onto the corresponding face and edge of $UE(P)$.

The hierarchical representation of $UE(P)$ in step 2 is computed in $O(n)$ time

using $O(n)$ space by Theorem 4.

The Voronoi diagram of the set of line segments in step 3 can be computed in $O(n \log n)$ time using $O(n)$ space.¹⁵

The for loop in step 4 is run $O(n)$ times. Step 4.1 takes a constant time. The hierarchical representation of $FVor(P)$ computed in step 2 can be used to perform the point locations of step 4.2 in $O(\log n)$ time per query.¹⁴ Step 4.3 requires time proportional to the degree of vertex v and the time complexity of step 4.3, over all iterations of the for loop, is $O(n)$. The total time complexity of the for loop in step 4 is $O(n \log n)$.

Similarly, the loop in step 5 is executed $O(n)$ times. Depending on the case, the curve segment z needed in step 5.1 is computed using one of the Facts 5, 6 or 7. By Theorem 4, there are at most two intersections of z with $UE(CH(P))$ and they can be computed in $O(\log n)$ time. Step 5.3 requires constant time. We conclude that step 5 takes $O(n \log n)$ time.

We have thus proved

Theorem 8 *Given two sets of line segments P and Q with a total of n segments whose relative interiors do not intersect, it is possible to compute all largest circles separating P and Q in $O(n \log n)$ time using $O(n)$ space.*

Once those largest separating circles have been found, the largest one can easily be reported by comparing the radii.

In order to show that our result is optimal, we sketch the proof of a $\Omega(n \log n)$ lower bound for our problem.²⁰ We proceed by reduction to the maximum gap problem for which $\Omega(n \log n)$ is a lower bound in the linear decision-tree model of computation.¹⁶ Let $X = \{x_1, x_2, \dots, x_n\}$ be a set of points on the real line between x_{min} and x_{max} for which the maximum gap must be computed, i.e. the largest interval between two consecutive points of X . Let set Q contain n line segments, each one extending between the points $(x_i, -1)$ and $(x_i, 0)$, $i = 1, 2, \dots, n$ and the $(n+1)$ -th segment s extending between the points $(x_{min}, x_{max} - x_{min})$ and $(x_{max}, x_{max} - x_{min})$. Let P consist of a single point of coordinates $(\frac{x_{min} + x_{max}}{2}, \frac{x_{max} - x_{min}}{2})$. Clearly, the largest circle separating P and Q is tangent to s and passes through segments at x_i and x_j defining the maximum gap in X (see Figure 3). In this construction, the set of segment is not in general position, but if we symbolically perturb the segments, we will find one of the maximal gaps.

It follows from the algorithm that there are at most $O(n)$ largest separating circles with at least three contact points. Indeed, for each of the $O(n)$ vertices of $Vor(Q)$ there is at most one such circle, and for each of the $O(n)$ edges of $Vor(Q)$ there are at most two such circles. The above example where the x_i are equally spaced shows that there are sets P and Q that actually admit $O(n)$ largest separating circles.

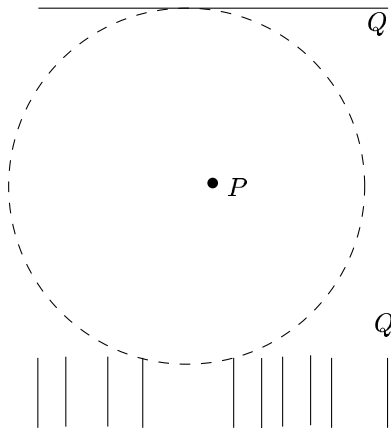


Figure 3: The lower bound example

7. Conclusions.

The paper gives an efficient algorithm for the problem of finding all largest circles separating two given sets of line segments. The solution is optimal in the linear decision-tree model of computation. However, our result does not imply a $\Omega(n \log n)$ lower bound for the problem of computing the largest circle separating two given polygons since it is not possible to build a polygon from a set of line segments in linear time.

It was supposed in this paper that the relative interiors of the line segments do not intersect. For two arbitrary sets of segments, we may have $\Omega(n^2)$ points of intersection. However, the following corollary states that we can tackle the problem of determining a largest separating circle in less than quadratic time.

Corollary 9 *For two sets of line segments P and Q containing a total of n line segments, it is possible to compute all locally largest circles separating P and Q in $O(n\alpha(n) \log^2 n)$ deterministic time or in $O(n\alpha(n) \log n)$ randomized time using $O(n\alpha(n))$ space.*

To prove this, observe that if there exists a circle C separating two sets of line segments P and Q , with P inside C and Q outside C , C separates the boundary of the unbounded cell of the arrangement of the line segments of P from the cell of the arrangement of the line segments of Q that contains the vertices of P . The complexity of such a cell is at most $O(n\alpha(n))^9$ and it can be computed in $O(n\alpha(n) \log^2 n)$ deterministic time⁵ or in $O(n\alpha(n) \log n)$ randomized time.⁷ Once both cells have been computed, we can apply our algorithm to $O(n\alpha(n))$ portions of line segments whose relative interiors do not intersect.

An interesting open problem is to extend the algorithm to other classes of objects like, for example, circles or figures bounded by line segments and circular arcs.

8. Bibliography

1. A. Aggarwal, H. Booth, J. O'Rourke, Subhash Suri, and C. K. Yap. Finding minimal convex nested polygons. *Inform. Comput.*, 83(1):98–110, October 1989.
2. B. K. Bhattacharya. Circular separability of planar point sets. In G. T. Tous-saint, editor, *Computational Morphology*, pages 25–39. North-Holland, Amsterdam, Netherlands, 1988.
3. J.-D. Boissonnat, J. Czyzowicz, O. Devillers, and M. Yvinec. Circular separability of polygons. In *Proc. 6th ACM-SIAM Sympos. Discrete Algorithms*, pages 273–281, 1995.
4. H. Brönnimann and M. T. Goodrich. Almost optimal set covers in finite VC-dimension. *Discrete Comput. Geom.*, 14:263–279, 1995.
5. B. Chazelle, H. Edelsbrunner, L. J. Guibas, M. Sharir, and J. Snoeyink. Computing a face in an arrangement of line segments and related problems. *SIAM J. Comput.*, 22:1286–1302, 1993.
6. G. Das and D. Joseph. The complexity of minimum convex nested polyhedra. In *Proc. 2nd Canad. Conf. Comput. Geom.*, pages 296–301, 1990.
7. M. de Berg, K. Dobrindt, and O. Schwarzkopf. On lazy randomized incremental construction. *Discrete Comput. Geom.*, 14:261–286, 1995.
8. D. P. Dobkin and D. G. Kirkpatrick. A linear algorithm for determining the separation of convex polyhedra. *J. Algorithms*, 6:381–392, 1985.
9. H. Edelsbrunner, L. J. Guibas, and M. Sharir. The complexity of many cells in arrangements of planes and related problems. *Discrete Comput. Geom.*, 5:197–216, 1990.
10. H. Edelsbrunner and F. P. Preparata. Minimum polygonal separation. *Inform. Comput.*, 77:218–232, 1988.
11. S. Fisk. Separating points by circles and the recognition of digital discs. *IEEE Trans. Pattern Anal. Mach. Intell.*, 8(4):554–556, 1986.
12. C. E. Kim and T. Anderson. Digital disks. *IEEE Trans. Pattern Anal. Mach. Intell.*, PAMI-6(5):639–645, 1984.
13. D. G. Kirkpatrick. Efficient computation of continuous skeletons. In *Proc. 20th Annu. IEEE Sympos. Found. Comput. Sci.*, pages 18–27, 1979.
14. D. G. Kirkpatrick. Optimal search in planar subdivisions. *SIAM J. Comput.*, 12(1):28–35, 1983.
15. D. T. Lee and R. L. Drysdale, III. Generalization of Voronoi diagrams in the plane. *SIAM J. Comput.*, 10:73–87, 1981.
16. U. Manber and M. Tompa. The complexity of problems on probabilistic, nondeterministic, and alternating decision trees. *J. ACM*, 32(3):720–732, 1985.
17. N. Megiddo. Linear programming in linear time when the dimension is fixed. *J. ACM*, 31:114–127, 1984.
18. J. S. B. Mitchell and S. Suri. Separation and approximation of polyhedral objects. *Comput. Geom. Theory Appl.*, 5:95–114, 1995.
19. D. M. Mount. Intersection detection and separators for simple polygons. In *Proc. 8th Annu. ACM Sympos. Comput. Geom.*, pages 303–311, 1992.
20. J. O'Rourke, S. R. Kosaraju, and N. Megiddo. Computing circular separability. *Discrete Comput. Geom.*, 1:105–113, 1986.