



HAL
open science

On the Topology of the Restricted Delaunay Triangulation and Witness Complex in Higher Dimensions.

Steve Oudot

► **To cite this version:**

Steve Oudot. On the Topology of the Restricted Delaunay Triangulation and Witness Complex in Higher Dimensions.. 2006. inria-00260861v2

HAL Id: inria-00260861

<https://inria.hal.science/inria-00260861v2>

Preprint submitted on 9 Mar 2008

HAL is a multi-disciplinary open access archive for the deposit and dissemination of scientific research documents, whether they are published or not. The documents may come from teaching and research institutions in France or abroad, or from public or private research centers.

L'archive ouverte pluridisciplinaire **HAL**, est destinée au dépôt et à la diffusion de documents scientifiques de niveau recherche, publiés ou non, émanant des établissements d'enseignement et de recherche français ou étrangers, des laboratoires publics ou privés.

On the Topology of the Restricted Delaunay Triangulation and Witness Complex in Higher Dimensions

Steve Y. Oudot

Submitted 30th November 2006, Revised 9th March 2008

Abstract

It is a well-known fact that, under mild sampling conditions, the restricted Delaunay triangulation provides good topological approximations of 1- and 2-manifolds. We show that this is not the case for higher-dimensional manifolds, even under stronger sampling conditions. Specifically, it is not true that, for any compact closed submanifold M of \mathbb{R}^n , and any sufficiently dense uniform sampling L of M , the Delaunay triangulation of L restricted to M is homeomorphic to M , or even homotopy equivalent to it. Besides, it is not true either that, for any sufficiently dense set W of witnesses, the witness complex of L relative to W contains or is contained in the restricted Delaunay triangulation of L .

1 Background and definitions

All manifolds considered in this paper are compact closed submanifolds of Euclidean space \mathbb{R}^n . The reach of a manifold M , or $\text{rch}(M)$ for short, is the minimum distance of a point on M to the medial axis of M . All our manifolds have a positive reach. This is equivalent to saying that they are C^1 -continuous, and that their normal vector field satisfies a Lipschitz condition.

Given a (finite or infinite) subset L of a manifold M , and a positive parameter ε , L is an ε -sample of M if every point of M is at Euclidean distance at most ε to L . In addition, L is ε -sparse if the pairwise Euclidean distances between the points of L are at least ε . Note that an ε -sparse sample of a compact set is always finite. Parameter ε is sometimes made adaptative in the literature [1], its value depending on the distance to the medial axis of the manifold. In this context, our ε -samples are called uniform ε -samples.

For any finite set of points $L \subset \mathbb{R}^n$, $\mathcal{D}(L)$ denotes the n -dimensional Delaunay triangulation of L , and $\mathcal{D}^M(L)$ its Delaunay triangulation restricted to a given subset M of \mathbb{R}^n . By definition, $\mathcal{D}^M(L)$ is the nerve of the restriction of the Voronoi diagram of L to M . For any simplex σ of $\mathcal{D}(L)$, $V(\sigma)$ stands for the face of the Voronoi diagram of L that is dual to σ . The following result comes from [1, 2]:

Theorem 1.1 *If M is a smooth curve in the plane or a smooth surface in 3-space, and if L is a finite ε -sample of M , with $\varepsilon < 0.1 \text{rch}(M)$, then $\mathcal{D}^M(L)$ is homeomorphic to M .*

Let L, W be two subsets of \mathbb{R}^n , such that L is finite. Given a point $w \in W$ and a simplex $\sigma = [p_0, \dots, p_k]$ with vertices in L , w is a *witness* of σ (or simply w *witnesses* σ) if p_0, \dots, p_k are among the $k + 1$ nearest neighbors of w in the Euclidean metric, that is: $\forall p \in \{p_0, \dots, p_k\}, \forall q \in L \setminus \{p_0, \dots, p_k\}, \|w - p\| \leq \|w - q\|$. The *witness complex* of L relative to W , or $\mathcal{C}^W(L)$ for

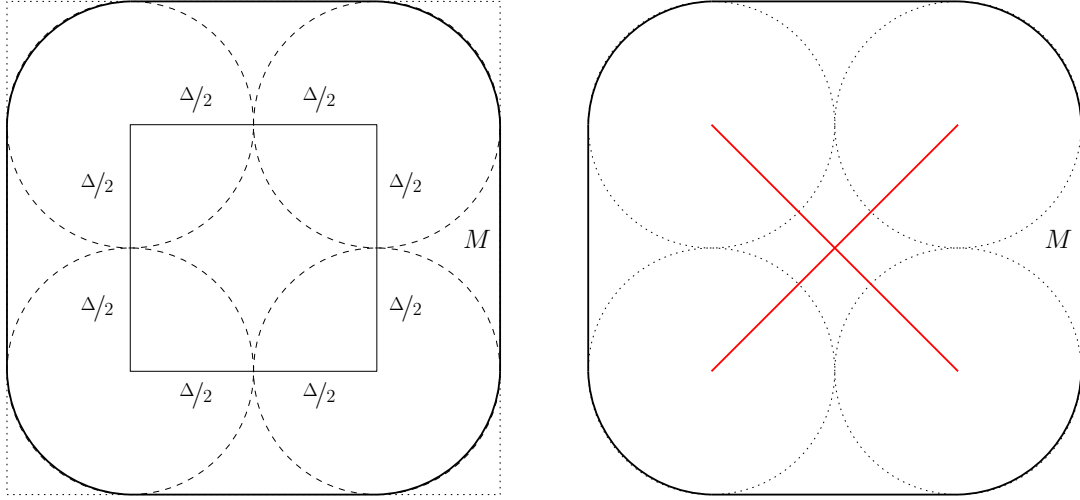


Figure 1: Left: 2-d version of hypersurface M (bold), defined as the boundary of the Minkowski sum of hypercube $[-\frac{\Delta}{2}, \frac{\Delta}{2}]^2$ (solid) with the ball of radius $\frac{\Delta}{2}$ centered at the origin (copies of this ball are dashed). Hypercube $[-\Delta, \Delta]^2$ is marked by dotted lines. Right: M and its medial axis.

short, is the maximum abstract simplicial complex with vertices in L , whose faces are witnessed by points of W . From now on, W will be referred to as the set of witnesses, and L as the set of landmarks. As pointed out in [7, 8], when W samples a manifold M , the witness complex $\mathcal{C}^W(L)$ can be viewed as a discrete version of the restricted Delaunay triangulation $\mathcal{D}^M(L)$, and as such it should be closely related to it. This is true indeed for curves and surfaces, as stated in the following result of [3, 9]:

Theorem 1.2 *There exists a positive constant c such that, if M is a smooth curve in the plane or a smooth surface in 3-space, and if L is an ε -sample of M , with $\varepsilon \leq c \operatorname{rch}(M)$, then $\mathcal{C}^W(L)$ is included in $\mathcal{D}^M(L)$ for any set of witnesses $W \subseteq M$, and it coincides with $\mathcal{D}^M(L)$ if $W = M$.*

2 Negative results

In this section, we prove that Theorems 1.1 and 1.2 do not hold as is for higher-dimensional manifolds. We first show that $\mathcal{D}^M(L)$ is not always homeomorphic to M , even though L is an $\Omega(\varepsilon)$ -sparse $O(\varepsilon)$ -sample of M , for arbitrarily small ε (Theorem 2.1). Our proof builds on an example of [6, §11], which deals with hypersurfaces in \mathbb{R}^4 . The intuitive idea is that, when $\mathcal{D}^M(L)$ contains badly-shaped tetrahedra, called *slivers*, it is possible to make its normals turn by a large angle (say $\frac{\pi}{2}$) by perturbing the points of L infinitesimally. It follows that the combinatorial structure of $\mathcal{D}^M(L)$ can be modified by small perturbations of M . We then extend our counter-example to show that $\mathcal{D}^M(L)$ may even not be homotopy equivalent to M (Theorem 2.2). Finally, we show that $\mathcal{C}^W(L)$ may not be included in $\mathcal{D}^M(L)$, even for arbitrarily dense sets $W \subseteq M$ (Theorem 2.3). The fact that $\mathcal{C}^W(L)$ may not contain $\mathcal{D}^M(L)$ if $W \subsetneq M$ has already been proved in [9].

Theorem 2.1 *For any positive constant $\mu < \frac{1}{3}$, there exist a compact closed hypersurface M in \mathbb{R}^4 and an $\Omega(\varepsilon)$ -sparse $O(\varepsilon)$ -sample L of M , with $\varepsilon = \mu \operatorname{rch}(M)$, such that $\mathcal{D}^M(L)$ is not homeomorphic to M . The constants hidden in the Ω and O notations are absolute and do not depend on μ .*

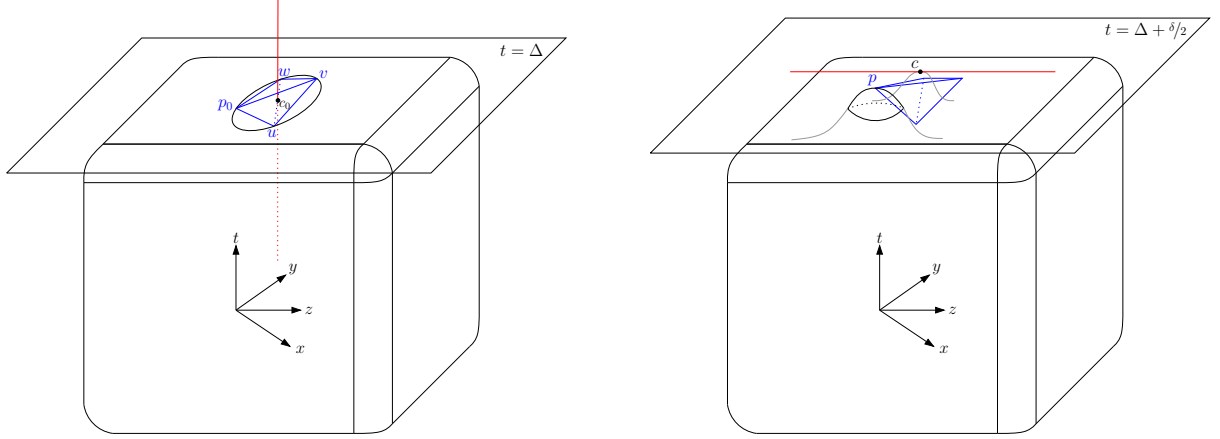


Figure 2: Left: tetrahedron $[u, v, w, p_0]$ and its dual Voronoi edge. Right: after perturbation of M .

Proof. Let $\Delta = \frac{2}{\mu}$. In \mathbb{R}^4 , endowed with an orthonormal frame (x, y, z, t) , we construct a hypersurface M of reach $\frac{\Delta}{2} = \frac{1}{\mu}$. Consider the Minkowski sum of hypercube $[-\frac{\Delta}{2}, \frac{\Delta}{2}]^4$ with the ball of radius $\frac{\Delta}{2}$ centered at the origin. The result is a smoothed-out version of hypercube $[-\Delta, \Delta]^4$, as illustrated in Figure 1 (left). Let M be its boundary. The reach of M is $\frac{\Delta}{2}$, as shown in Figure 1 (right). Let $\varepsilon = \mu \text{rch}(M) = 1$, and let $\delta > 0$ be an arbitrarily small parameter. Consider points $u = (1, 0, 0, \Delta)$, $v = (1, 1, 0, \Delta)$, $w = (0, 1, 0, \Delta)$, and $p_0 = (0, 0, \delta, \Delta)$. Let $c_0 = (\frac{1}{2}, \frac{1}{2}, \frac{\delta}{2}, \Delta)$. It is easily seen that c_0 is the circumcenter of $[u, v, w, p_0]$. Moreover, all these points belong to M , which coincides with hyperplane $t = \Delta$ in their vicinity. Let $r_0 = \|c_0 - u\| = \|c_0 - v\| = \|c_0 - w\| = \|c_0 - p_0\|$. We generate an ε -sparse 2ε -sample L_0 of M by an iterative process, starting with $L_0 = \{u, v, w, p_0\}$, and inserting at each iteration the point of M lying furthest away from the current point set L_0 , until the furthest point of M is no farther than 2ε from L_0 . Since M is compact, the process terminates, and the outcome is a 2ε -sample of M . Moreover, since u, v, w, p_0 lie at least ε away from one another, and since every point inserted in L_0 lies at least 2ε away from L_0 at the time of its insertion, L_0 is ε -sparse. Finally, no point of ball $B(c_0, r_0)$ lies farther from $\{u, v, w, p_0\}$ than $2r_0 = 2\sqrt{\frac{1}{2} + \frac{\delta^2}{4}}$, which is less than 2ε since δ is arbitrarily small. It follows that the interior of $B(c_0, r_0)$ contains no point of L_0 , which implies that $[u, v, w, p_0]$ belongs to $\mathcal{D}^M(L_0)$, its dual Voronoi edge intersecting M at c_0 . Observe also that, since u, v, w, p_0 belong to hyperplane $t = \Delta$, the normal of $[u, v, w, p_0]$ is aligned with vector $(0, 0, 0, 1)$, as shown in Figure 2 (left).

We now deform M slightly and create a small bump at c_0 , such that the top of the bump is moved by $\frac{\delta}{2}$ into the t -dimension, outward the hypercube. This bump changes the local feature size of M . However, since δ is arbitrarily small, the radius of curvature of the bump can be forced to be at least $\frac{\Delta}{2}$, which implies that the reach of M remains equal to $\frac{\Delta}{2} = \frac{1}{\mu}$. Furthermore, since c_0 is the center of a Delaunay ball of radius greater than 1, we can assume that δ is small enough for the points of L_0 to remain on M . Let $c = (\frac{1}{2}, \frac{1}{2}, \frac{\delta}{2}, \Delta + \frac{\delta}{2})$ be at the top of the bump. Since the points of L_0 are located in hyperplane $t = \Delta$ in the vicinity of $[u, v, w, p_0]$, c is equidistant to u, v, w, p_0 , and closer to these points than to any other point of L_0 . This implies that the open ball $B_c = B(c, \|c - u\|)$ contains no point of L_0 and has u, v, w, p_0 on its bounding sphere. Hence, B_c is a Delaunay ball circumscribing $[u, v, w, p_0]$, and c belongs to the Voronoi edge dual to $[u, v, w, p_0]$. Moreover, since u, v, w and $(0, 0, 0, \Delta)$ are cocircular, ∂B_c passes also through $(0, 0, 0, \Delta)$.

We deform M further by creating another small bump, at point $(0, 0, 0, \Delta)$ this time, so as to move this point by δ into the t -dimension, outward the hypercube. Let $p = (0, 0, 0, \Delta + \delta)$ be the top of the bump — see Figure 2 (right). A quick computation shows that $\|c - p\| = \|c - u\|$, which implies that $p \in \partial B_c$. Here again, by choosing δ sufficiently small, we can make sure that the radius of curvature of the bump is at least $\frac{\Delta}{2}$, which means that the reach of the deformed hypersurface is still $\frac{\Delta}{2} = \frac{1}{\mu}$. We can also make sure that the bump of p is disjoint from the bump of c since $\|c - p\| > \frac{1}{\sqrt{2}}$, and that the points of $L_0 \setminus \{p_0\}$ remain¹ on M . It follows that B_c is empty of points of L , where L is defined by $L = L_0 \cup \{p\} \setminus \{p_0\}$. Since ∂B_c contains u, v, w, p , B_c is a Delaunay ball circumscribing $[u, v, w, p]$. Equivalently, c belongs to the Voronoi edge e dual to $[u, v, w, p]$. Note also that L is an $(\varepsilon - \delta)$ -sparse $(2\varepsilon + \delta)$ -sample of M .

Since $[u, v, w, p]$ is included in hyperplane $z = 0$, its dual Voronoi edge e is aligned with $(0, 0, 1, 0)$, as illustrated in Figure 2 (right). This edge is incident to four Voronoi 2-faces, which are dual to the four facets of $[u, v, w, p]$. These 2-faces can be seen as extrusions, into the z -dimension $(0, 0, 1, 0)$, of the edges of the Voronoi diagram of $\{u, v, w, p\}$ inside hyperplane $z = 0$. Among these Voronoi edges, two lie above the plane $t = \Delta + \frac{\delta}{2}$, and two lie below. As a result, in \mathbb{R}^4 , two Voronoi 2-faces incident to e lie above hyperplane $t = \Delta + \frac{\delta}{2}$. These two Voronoi 2-faces do not intersect M , except at c and possibly at the bump of p . Now, the circumradii of the facets of $[u, v, w, p]$ are at most $\|c - u\| = \frac{\sqrt{1+\delta^2}}{\sqrt{2}} < \mu \operatorname{rch}(M)$, thus, inside hyperplane $z = 0$, Amenta and Bern's normal lemma [1, Lemma 7] states that the edges of the Voronoi diagram of $\{u, v, w, p\}$ make angles of at most $\arcsin \frac{\mu\sqrt{3}}{1-\mu} < \frac{\pi}{3}$ with vector $(0, 0, 0, 1)$. As a consequence, any Voronoi 2-face f incident to e in \mathbb{R}^4 makes an angle of at most $\frac{\pi}{3}$ with the plane passing through c , of directions $(0, 0, 1, 0)$ and $(0, 0, 0, 1)$ (note that the affine hull $\operatorname{aff}(f)$ intersects this plane along the line $\operatorname{aff}(e)$). Since p lies $\frac{1}{\sqrt{2}}$ away from this plane and only $\frac{\delta}{2}$ above c , for sufficiently small δ the Voronoi 2-faces incident to e lying above hyperplane $t = \Delta + \frac{\delta}{2}$ do not intersect the bump of p . As a consequence, they intersect M only at c , and therefore their dual Delaunay triangles are incident to exactly one tetrahedron of $\mathcal{D}^M(L)$, namely $[u, v, w, p]$. Hence, $\mathcal{D}^M(L)$ is not a closed hypersurface, and for this reason it cannot be homeomorphic to M . \square

Observe that the example given in the proof corresponds to a degenerate case, since the Voronoi edge e dual to tetrahedron $[u, v, w, p]$ intersects M tangentially at c . This degeneracy can be removed by inflating the bump of c infinitesimally, so that it intersects e twice and transversally, but still no other Voronoi edge.

Note also that tetrahedron $[u, v, w, p]$ is a sliver, since vertex p lies close to the affine hull of $[u, v, w]$. The original counter-example of [6] was designed to highlight the fact that the normals of slivers in the restricted Delaunay triangulation may differ significantly from the normals of the underlying manifold. This is not true for non-sliver simplices, as shown in Lemma 15 of [6]. Thus, the fact that $[u, v, w, p]$ is a sliver in our counter-example is crucial.

Theorem 2.2 *For any positive constant $\mu < \frac{1}{3}$, there exist a compact closed hypersurface M in \mathbb{R}^4 and an $\Omega(\varepsilon)$ -sparse $O(\varepsilon)$ -sample L of M , with $\varepsilon = \mu \operatorname{rch}(M)$, such that $\mathcal{D}^M(L)$ is not homotopy equivalent to M . The constants hidden in the Ω and O notations are absolute and do not depend on μ .*

Proof. Let $\Delta = \frac{2}{\mu}$, and let $\delta > 0$ be an arbitrarily small parameter. We begin our analysis with the example built in the proof of Theorem 2.1. We will modify M and L in such a way that

¹They lie at least ε away from p_0 , and hence at least $\varepsilon - \delta$ away from $(0, 0, 0, \Delta)$.

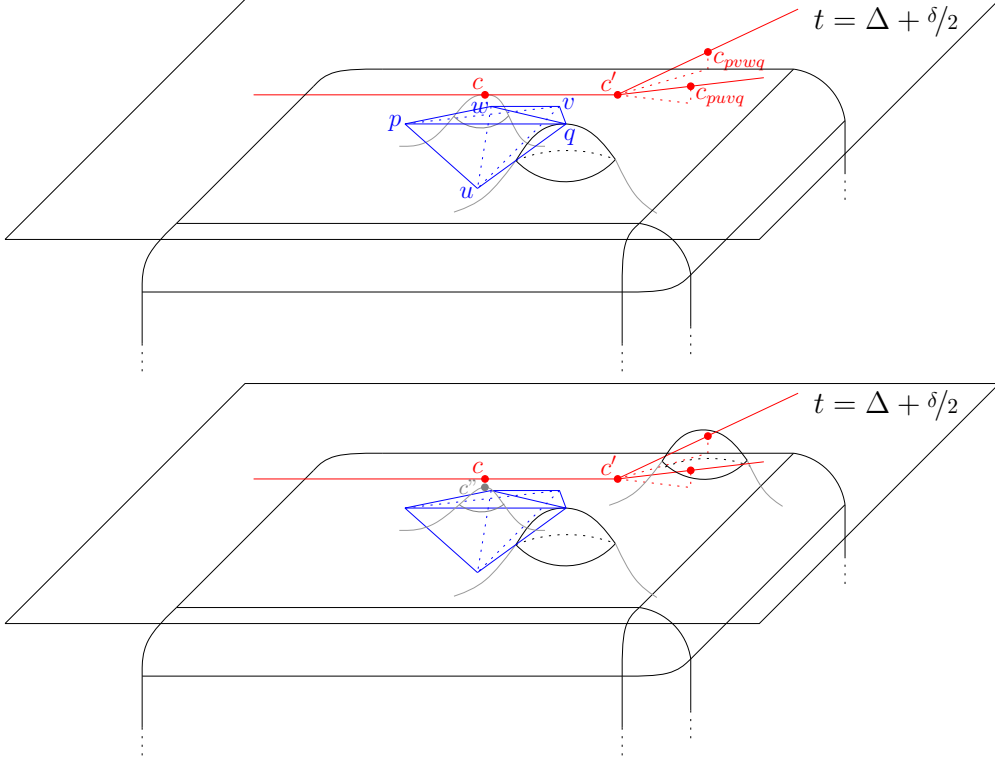


Figure 3: Top: pentahedron $[p, u, v, w, q]$ and the duals of $[p, u, v, w]$, $[p, u, v, q]$, and $[p, v, w, q]$. Bottom: the bump of c_{pvwq} and c_{pvwq} (the bump of c has been slightly deflated).

tetrahedron $[p, u, v, w]$ will no longer belong to $\mathcal{D}^M(L)$ while its four facets will still. This will prevent $\mathcal{D}^M(L)$ from being homotopy equivalent to M .

Consider point $q = (\frac{1+\sqrt{2}}{2}, \frac{1}{2}, \delta^2, \Delta + \delta)$. The distance of q to hyperplane $t = \Delta$ is δ , which is arbitrarily small. Hence, as explained in the proof of Theorem 2.1, it is possible to deform M slightly by creating a small bump of radius of curvature at least $\frac{\Delta}{2}$ at point $(\frac{1+\sqrt{2}}{2}, \frac{1}{2}, \delta^2, \Delta)$, so that M now passes through q while its reach remains $\frac{\Delta}{2} = \frac{1}{\mu}$. Moreover, since q lies farther than $\frac{1}{2}$ from $\{p, u, v, w\}$, we can assume without loss of generality that its bump does not affect the positions of p, u, v, w .

The circumcenter of pentahedron $[p, u, v, w, q]$ is $c' = (\frac{1}{2}, \frac{1}{2}, \frac{\delta^2}{2}, \Delta + \frac{\delta}{2})$, and its circumradius r' is less than $\varepsilon = 1$ (for sufficiently small δ). It follows that every point of M lying in the ball $B(c', r')$ is at distance $O(\varepsilon)$ of $\{p, u, v, w, q\}$. In addition, q is farther than $\frac{\varepsilon}{2}$ from $\{p, u, v, w\}$. Therefore, if we modify L by inserting q and deleting all the points that lie in the interior of $B(c', r')$, L remains an $\Omega(\varepsilon)$ -sparse $O(\varepsilon)$ -sample of M . Moreover, $[p, u, v, w, q]$ is now a Delaunay pentahedron, whose dual Voronoi vertex is c' .

Note that line (c, c') is the affine hull of the Voronoi edge e dual to $[p, u, v, w]$, and that c' is an endpoint of e — see Figure 3 (top). Recall that, among the four 2-faces incident to e , two lie above hyperplane $t = \Delta + \frac{\delta}{2}$. Let f_{pvw} and f_{pvw} denote these two 2-faces. They are dual to triangles $[p, u, v]$ and $[p, v, w]$ respectively, since p lies above hyperplane $t = \Delta$, which contains $[u, v, w]$. Moreover, f_{pvw} and f_{pvw} are convex polygons, whose boundaries are two cycles of Voronoi edges that intersect

each other along e . In the cycle of ∂f_{puv} , one edge adjacent to e , noted e_{puvq} , is dual to tetrahedron $[p, u, v, q]$. Similarly, in the cycle of ∂f_{pvw} , one edge adjacent to e , noted e_{pvwq} , is dual to $[p, v, w, q]$. Note that c' is an endpoint of both e_{puvq} and e_{pvwq} . Moreover, it can be easily checked that the line $\text{aff}(e_{puvq})$ passes also through point $c_{puvq} = \left(\frac{1}{2} + \frac{\delta^2(\delta^2+1)}{1+\sqrt{2}}, \frac{1}{2}, -\frac{1}{2}, \Delta + \frac{\delta}{2} + \frac{\delta(\delta^2+1)}{1+\sqrt{2}}\right)$, while the line $\text{aff}(e_{pvwq})$ passes through $c_{pvwq} = \left(\frac{1}{2}, \frac{1}{2} + \delta^2(\delta^2+1), -\frac{1}{2}, \Delta + \frac{\delta}{2} + \delta(\delta^2+1)\right)$. This implies that e_{puvq} and e_{pvwq} make angles of $O(\delta)$ with hyperplane $t = \Delta + \frac{\delta}{2}$. So, we are in a situation where tetrahedron $[p, u, v, w]$ has a horizontal dual edge, while two of its adjacent tetrahedra, namely $[p, u, v, q]$ and $[p, v, w, q]$, have almost horizontal dual edges, as illustrated at the top of Figure 3.

Since $\|c_{puvq} - p\| = \|c_{puvq} - u\| = \|c_{puvq} - v\| = \|c_{puvq} - q\| < \|c_{puvq} - w\|$, which is less than $\varepsilon = 1$ for sufficiently small δ , we can modify² L such that the ball $B(c_{puvq}, \|c_{puvq} - q\|)$ contains no point of L in its interior, while L still remains an $\Omega(\varepsilon)$ -sparse $O(\varepsilon)$ -sample of M . Similarly, we can assume without loss of generality that $B(c_{pvwq}, \|c_{pvwq} - q\|)$ is a Delaunay ball. It follows that $c_{puvq} \in e_{puvq}$ and $c_{pvwq} \in e_{pvwq}$. Since c_{puvq} and c_{pvwq} lie $O(\delta)$ away from each other, $O(\delta)$ above hyperplane $t = \Delta$, and $\Omega(\varepsilon)$ away from L , we can deform M by creating a bump passing through c_{puvq} and c_{pvwq} , of height $O(\delta)$ and radius of curvature at least $\frac{\Delta}{2}$, while maintaining the points of L on M — see Figure 3 (bottom). Moreover, since c_{puvq} and c_{pvwq} also lie $\Omega(\varepsilon)$ away from c , we can assume without loss of generality that their bump does not touch the bump of c . It follows that tetrahedra $[p, u, v, w]$, $[p, u, v, q]$, and $[p, v, w, q]$ belong to $\mathcal{D}^M(L)$, while M is still tangent at c to the Voronoi edge e dual to tetrahedron $[p, u, v, w]$. We call M^+ the current version of hypersurface M , and $\mathcal{D}^{M^+}(L)$ the Delaunay triangulation of L restricted to M^+ .

Our last operation consists in deflating slightly the bump of c , such that M no longer intersects e , and thus $[p, u, v, w]$ no longer belongs to $\mathcal{D}^M(L)$, as illustrated at the bottom of Figure 3. Note however that $[p, u, v, q]$ and $[p, v, w, q]$ (and thus triangles $[p, u, v]$ and $[p, v, w]$) are still in $\mathcal{D}^M(L)$, since the bump of c_{puvq} and c_{pvwq} is disjoint from the bump of c . Recall also that the Voronoi 2-faces dual to $[p, u, w]$ and $[u, v, w]$ lie below hyperplane $t = \Delta + \frac{\delta}{2}$, and that they make angles of at most $\frac{\pi}{3}$ with vector $(0, 0, 0, 1)$. Since the deflation of the bump of c is arbitrarily small, the Voronoi 2-faces dual to $[p, u, w]$ and $[u, v, w]$ still intersect M . As a consequence, the two triangles remain in $\mathcal{D}^M(L)$. We call M^- the current version of hypersurface M , and $\mathcal{D}^{M^-}(L)$ the Delaunay triangulation of L restricted to M^- .

The result of these operations is that, although L is an $\Omega(\varepsilon)$ -sparse $O(\varepsilon)$ -sample of both hypersurfaces M^+ and M^- , whose homotopy types and reaches are the same as the ones of M , $\mathcal{D}^{M^+}(L)$ and $\mathcal{D}^{M^-}(L)$ are different. Specifically, tetrahedron $[p, u, v, w]$ is contained in $\mathcal{D}^{M^+}(L)$ but not in $\mathcal{D}^{M^-}(L)$, whereas its facets belong to both complexes. It follows that the Euler characteristics of $\mathcal{D}^{M^+}(L)$ and $\mathcal{D}^{M^-}(L)$ differ³, which implies that the complexes have different homotopy types. Therefore, at least one of them is not homotopy equivalent to the 3-sphere M . \square

Witness complex. It is proved in [9] that the witness complex $\mathcal{C}^W(L)$ may not contain $\mathcal{D}^M(L)$ when the sets W, L are drawn from a smooth surface M such that $W \subsetneq M$. However, we know from [3] that $\mathcal{C}^W(L)$ is still included in $\mathcal{D}^M(L)$ in this case. Below we prove that this latter statement no longer holds if M is a smooth manifold of dimension 3 or more:

Theorem 2.3 *For any positive constants $\mu, \nu < \frac{1}{3}$, there exist a compact closed hypersurface M in \mathbb{R}^4 , an $\Omega(\varepsilon)$ -sparse $O(\varepsilon)$ -sample L of M , and a δ -sample W of M , with $\varepsilon = \mu \text{rch}(M)$ and*

²For instance, we can simply delete the points of L that lie in the interior of the ball $B(c_{puvq}, \|c_{puvq} - q\|)$.

³Specifically, $\chi(\mathcal{D}^{M^+}(L)) = \chi(\mathcal{D}^{M^-}(L)) - 1$.

$\delta = \nu \operatorname{rch}(M)$, such that $\mathcal{C}^W(L)$ is not included in $\mathcal{D}^M(L)$. The constants hidden in the Ω and O notations are absolute and do not depend on μ nor ν . Moreover, W can be made indifferently finite or infinite, and arbitrarily dense.

Proof. Let M^- , L , e , and c be defined as in the proof of Theorem 2.2. Recall that tetrahedron $[p, u, v, w]$ does not belong to $\mathcal{D}^{M^-}(L)$, whereas its facets do. We assume without loss of generality that c is not an endpoint of the Voronoi edge e , which means that the bounding sphere of the Delaunay ball $B(c, \|c - p\|)$ contains no point of L other than p, u, v, w . This condition can be ensured by an infinitesimal perturbation of the points of $L \setminus \{p, u, v, w\}$. Let $d_c = \min_{p' \in L \setminus \{p, u, v, w\}} \|c - p'\|$. This quantity is greater than $\|c - p\|$ since $B(c, \|c - p\|)$ contains no point of $L \setminus \{p, u, v, w\}$.

Consider any (finite or infinite) set of witnesses $W \subseteq M^-$ such that, for each facet σ of $[p, u, v, w]$, W contains at least one point of $M^- \cap V(\sigma)$ (every such point witnesses σ and its subsimplices). Assume further that W contains the top point of the bump of c (call this point c''). In the last stage of the perturbation of M described in the proof of Theorem 2.2, we slightly deflated the bump of c , such that c'' lies strictly below c . Note that p is the vertex of $[p, u, v, w]$ lying furthest away from c'' . Since the deflation is arbitrarily small, we can assume without loss of generality that $\|c - c''\| < \frac{1}{2}(d_c - \|c - p\|)$. This implies that the ball $B(c'', \|c'' - p\|) \subseteq B(c, \|c - p\| + 2\|c - c''\|)$ is included in the interior of $B(c, d_c)$. As a result, $B(c'', \|c'' - p\|)$ contains no point of $L \setminus \{p, u, v, w\}$. Since p, u, v, w belong to $B(c'', \|c'' - p\|)$, tetrahedron $[p, u, v, w]$ is witnessed by c'' . And since the facets of $[p, u, v, w]$ and their subsimplices are witnessed by points of W , $[p, u, v, w]$ belongs to the witness complex $\mathcal{C}^W(L)$. However, we saw in the proof of Theorem 2.2 that $[p, u, v, w]$ does not belong to $\mathcal{D}^{M^-}(L)$. \square

3 Conclusion

We have proved that the structural properties of the restricted Delaunay triangulation and witness complex on 1- and 2-manifolds do not hold on higher-dimensional manifolds. This implies in particular that the Delaunay-based approach to meshing and reconstruction is unlikely to work as is in higher dimensions. One possible way of getting rid of pathological cases is to use the sliver exudation technique of [5], which assigns weights to the vertices of the triangulation in order to remove slivers from the vicinity of the restricted Delaunay triangulation. This strategy has been successfully applied in [4, 6].

References

- [1] N. Amenta and M. Bern. Surface reconstruction by Voronoi filtering. *Discrete Comput. Geom.*, 22(4):481–504, 1999.
- [2] N. Amenta, M. Bern, and D. Eppstein. The crust and the β -skeleton: Combinatorial curve reconstruction. *Graphical Models and Image Processing*, 60:125–135, 1998.
- [3] D. Attali, H. Edelsbrunner, and Y. Mileyko. Weak witnesses for Delaunay triangulations of submanifolds. In *Proc. ACM Sympos. on Solid and Physical Modeling*, pages 143–150, 2007.
- [4] J.-D. Boissonnat, L. J. Guibas, and S. Y. Oudot. Manifold reconstruction in arbitrary dimensions using witness complexes. In *Proc. 23rd ACM Sympos. on Comput. Geom.*, pages 194–203, 2007.

- [5] S.-W. Cheng, T. K. Dey, H. Edelsbrunner, M. A. Facello, and S.-H. Teng. Sliver exudation. *Journal of the ACM*, 47(5):883–904, 2000.
- [6] S.-W. Cheng, T. K. Dey, and E. A. Ramos. Manifold reconstruction from point samples. In *Proc. 16th Sympos. Discrete Algorithms*, pages 1018–1027, 2005.
- [7] V. de Silva. A weak definition of Delaunay triangulation. Technical report, Stanford University, October 2003. To appear in *Geometriae Dedicata*.
- [8] V. de Silva and G. Carlsson. Topological estimation using witness complexes. In *Proc. Sympos. Point-Based Graphics*, pages 157–166, 2004.
- [9] L. G. Guibas and S. Y. Oudot. Reconstruction using witness complexes. In *Proc. 18th Sympos. on Discrete Algorithms*, pages 1076–1085, 2007.