



**HAL**  
open science

# Asymptotic behavior of the Lempel-Ziv parsing scheme and digital search trees

Philippe Jacquet, Wojciec Szpankowski

► **To cite this version:**

Philippe Jacquet, Wojciec Szpankowski. Asymptotic behavior of the Lempel-Ziv parsing scheme and digital search trees. [Research Report] RR-2212, INRIA. 1994. inria-00074459

**HAL Id: inria-00074459**

**<https://inria.hal.science/inria-00074459>**

Submitted on 24 May 2006

**HAL** is a multi-disciplinary open access archive for the deposit and dissemination of scientific research documents, whether they are published or not. The documents may come from teaching and research institutions in France or abroad, or from public or private research centers.

L'archive ouverte pluridisciplinaire **HAL**, est destinée au dépôt et à la diffusion de documents scientifiques de niveau recherche, publiés ou non, émanant des établissements d'enseignement et de recherche français ou étrangers, des laboratoires publics ou privés.



INSTITUT NATIONAL DE RECHERCHE EN INFORMATIQUE ET EN AUTOMATIQUE

*Asymptotic Behavior of  
the Lempel-Ziv Parsing Scheme  
and Digital Search Trees*

Philippe JACQUET  
Wojciech SZPANKOWSKI

N° 2212  
Mars 1994

PROGRAMME 2

Calcul symbolique,  
programmation  
et génie logiciel

*R*apport  
*de recherche*

1994

# ASYMPTOTIC BEHAVIOR OF THE LEMPEL-ZIV PARSING SCHEME AND DIGITAL SEARCH TREES

March 21, 1994

Philippe Jacquet  
INRIA  
Rocquencourt  
78153 Le Chesnay Cedex  
France  
jacquet@blagny.inria.fr

Wojciech Szpankowski  
Department of Computer Science  
Purdue University  
W. Lafayette, IN 47907  
U.S.A.  
spa@cs.purdue.edu

## Abstract

Lempel-Ziv parsing scheme is a fundamental construction on words that finds a wide range of applications, most notably in data compression, algorithms on words, statistical inference, complexity theory (cf. test of randomness), and so forth. It partitions a sequence of length  $n$  into variable phrases (blocks) such that a new block is the shortest substring not seen in the past as a phrase. How many phrases  $M_n$  one obtains from a sequence of length  $n$ ? It is known that almost surely (a.s.)  $M(n)$  divided by  $n/\log n$  converges to  $h$ , where  $h$  is the entropy of the alphabet. But, in many applications one needs more refined information about the deviation of  $M(n)$  around its mean, that is, one requires second-order behavior of  $M(n)$ . Ideally, we would like to know the limiting distribution and the large deviation behavior. In this paper, we derive such characteristics for the memoryless source with *unequal* probabilities of symbols generation (the so called *asymmetric Bernoulli model*). Thus, we extend and refine the analysis of Aldous and Shields who obtained the limiting distribution only for the *symmetric* Bernoulli model, that is, when symbols are generated with the same probability. We also asymptotically enumerate the number of parsings of length  $n$  built from a given number of phrases, thus providing new insights into the problem of Gilbert and Kadota. These results are proved by establishing the limiting distribution of the internal path length in a digital search tree. The latter is a consequence of an asymptotic solution of a multiplicative differential-functional equation often arising in the analysis of algorithms on words. Interestingly enough, our findings are proved by a combination of probabilistic techniques (i.e., renewal equation, uniform integrability) and analytical techniques (i.e., Mellin transform, differential-functional equations, de-Poissonization, etc.).

## 1. INTRODUCTION

The primary motivation for this work was the desire to understand the asymptotic behavior of the fundamental parsing algorithm on words due to Lempel and Ziv [12, 25, 26]. It partitions a word into phrases (blocks) of variable sizes such that a new block is the shortest subword not seen in the past as a phrase. For example, the string 110010100010001000 is parsed into (1)(10)(0)(101)(00)(01)(000)(100). In passing, we note that one can partition in a different manner that allows overlapping between phrases (cf. [22], [12]). For example, for the above sequence the latter parsing gives (1)(10)(0)(101)(00)(01)(000100). In this paper, we only consider the former parsing algorithm.

These parsing algorithms play a crucial rôle in universal data compression schemes and its numerous applications such as efficient transmission of data (cf. [25, 26]), discriminating between information sources (cf. [7]), test of randomness, estimating the statistical model of individual sequences (cf. [16]), and so forth. More importantly, such a partition of a word reflects its underlying periodicities, and therefore finds applications in several algorithms on words. The parameters of interest to these applications are: the number of phrases, the number of phrases of a given size, the size of a phrase, the length of a sequence built from a given number of phrases, etc. But, by all means the most important parameter is the number of phrases that is used to obtain the compression ratio in a universal data compression (cf. [3]), while its distribution is needed in the analysis of other parameters of the Lempel-Ziv scheme (e.g., redundancy rate [20], length of a phrase [14], and so forth).

In this paper, we shall study the number of phrases  $M_n$  of a word of fixed length  $n$  in a probabilistic framework. We assume that the word is generated by a probabilistic memoryless binary source (extension to finite non-binary alphabet is simple). That is: *symbols are generated in an independent manner with "0" and "1" occurring respectively with probability  $p$  and  $q = 1 - p$* . If  $p = q = 0.5$ , then such a probabilistic model will be further called the *symmetric Bernoulli* model; otherwise we refer to the *asymmetric Bernoulli* model.

In view of the above, the problem of finding the limiting distribution of the number of phrases in the Lempel-Ziv parsing algorithm is of a fundamental nature. It is a difficult problem as attested by Aldous and Shields [1] who solve it only for the *symmetric Bernoulli* model. The authors of [1] state: "It is natural to conjecture that asymptotic normality holds for a larger class of processes ... . But in view of the difficulty of even the simplest case (i.e., the fair coin-tossing case we treat here) we are not optimistic about finding a general result. We believe the difficulty of our normality result is intrinsic ... ." In this paper, we extend the result of Aldous and Shields to the *asymmetric Bernoulli* model (however, the methodology

# COMPORTEMENT ASYMPTOTIQUE DU SCHEMA DE LEMPEL-ZIV ET DES ARBRES DIGITAUX

## Résumé

Le schéma d'analyse des mots de Lempel-Ziv est une construction fondamentale qui trouve de nombreuses applications, notamment dans la compression de données, les algorithmes sur les mots, les évaluations statistiques, la théorie de la complexité (test de la nature aléatoire), *etc.* L'analyse d'une séquence de longueur  $n$  consiste à fragmenter cette dernière en plusieurs phrases distinctes, ou blocs, de longueurs variables. La règle de fragmentation fait que tout bloc nouvellement détaché est le plus petit sous mot qui ne soit pas identique à un bloc détaché auparavant. Combien de phrases  $M(n)$  obtient-on d'une séquence de longueur  $n$ ? Il est connu que  $M(n)$  divisé par  $n/\log n$  converge presque sûrement vers l'entropie  $h$  de l'alphabet. Mais l'analyse de nombreuses situations dans les applications requiert une information plus fine sur le comportement de  $M(n)$  autour de sa moyenne (analyse au second ordre). D'une manière idéale nous voudrions connaître la distribution limite de  $M(n)$ . Dans ce papier nous nous attachons à déterminer cette distribution limite sous le modèle probabiliste de la distribution non uniforme mais sans mémoire des symboles dans la séquence. Nous appelons ce modèle le modèle asymétrique de Bernoulli. En conséquence nous étendons et raffinons l'analyse d'Aldous et Shields qui avaient obtenu la distribution limite seulement dans le cas symétrique, c'est à dire lorsque les symboles sont tous équiprobables. Nous procédons également à l'analyse inverse du nombre de séquence de longueur  $n$  à partir du nombre de phrases obtenues, ce qui apporte un éclairage nouveau au problème de Gilbert et Kadota. Nous prouvons nos résultats en établissant la distribution limite de la longueur de cheminement dans un arbre digital. Pour cela nous étudions le comportement asymptotique de la solution d'une équation différentielle non linéaire aux différences que l'on rencontre souvent dans l'analyse des algorithmes sur les mots. Nous combinons des techniques probabilistes à des techniques d'analyse complexe.

proposed here should allow – with *some* labor – to extend the results even to a Markovian model). Actually, we do much more, and provide solution to some other problems that have been open up-to-date, namely: the limiting distribution for internal path lengths in digital trees (cf. [1, 11, 15]) and the number of parsings of given length built from a fixed number of words (cf. [7]).

All of these problems are solved in a uniform manner by a combination of probabilistic and analytical methods. We apply the *renewal equation* (cf. [2]) to reduce the problem of finding the number of phrases in the Lempel-Ziv scheme to another problem on digital search trees, namely that of finding the limiting distribution of the internal path length in a digital search tree built from *fixed* number of independent words. To see this, we recall that the Lempel-Ziv parsing algorithm can be alternatively described on a digital search tree (the fact already known to Aldous and Shields [1] who explored this equivalence).

The reader is referred to [11, 15] for discussion and definition of the digital trees, however, for the reader convenience we show in Figure 1 the digital search tree associated with the word discussed at the beginning of this section. In particular, the root of the tree is empty (i.e., we start parsing with an empty phrase). All other phrases of the Lempel-Ziv parsing algorithm are stored in internal nodes. When a new phrase is created, the search starts at the root and proceeds down the tree as directed by the input symbols exactly in the same manner as in the digital tree construction, that is, symbol "0" in the input string means to move to the left and "1" means to proceed to the right. The search is completed when a branch is taken from an existing tree node to a new node that has not been visited before. Then, the edge and the new node are added to the tree. The phrases created in such a way are stored directly into the nodes of the tree. In passing, we note that for a word of fixed length  $n$  the size of the associated digital search tree is *random*, and this fact gives a new twist to the analysis of digital trees (cf. also [14]).

Second-order properties, such as limiting distributions and large deviation results of the Lempel-Ziv scheme, have been scarcely discussed in the past with a noble exception of the work of Aldous and Shields [1] who studied the symmetric model. Recently, Louchard and Szpankowski [14] obtained the limiting distribution of a randomly selected phrase length in the Lempel-Ziv scheme. On the other hand, digital search trees (built from *fixed* number of independent words!) have been quite thoroughly investigated in the past (cf. [4, 5, 10, 11, 13, 14, 22]). In particular, Knuth [11], and Flajolet and Sedgewick [4] introduced analytical methods in the analysis of digital search trees. This was continued by Flajolet and Richmond [5], Louchard [13], and Szpankowski [22]. None of these papers, however, deal with second order properties of the internal path length in digital search trees, which is main object of

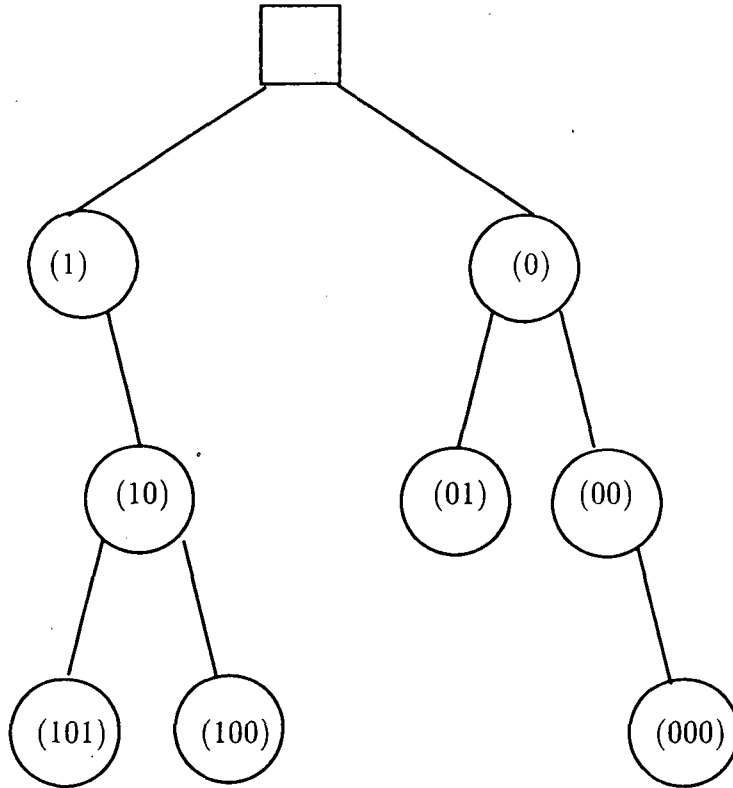


Figure 1: A digital tree representation of Ziv's parsing for the string 11001010001000100...

our study. Only very recently, Kirschenhofer, Prodinger and Szpankowski [10] obtained an asymptotic expression for the variance of the internal path length in the *symmetric* Bernoulli model (in fact, this allowed to close the gap in the Aldous and Shields analysis by deriving the leading term in the variance of the number of phrases in the Lempel-Ziv parsing scheme). The authors of [10], however, could not extend their results to the asymmetric model. We not only provide such an extension, but we carry out this analysis to obtain the limiting distribution for the internal path length.

The paper is organized as follows. In the next section we present all our main findings concerning digital search trees and the Lempel-Ziv scheme. All proofs are delayed till Section 3 which is of its own interest. In this section, we present a methodology that leads to an asymptotic solution of a functional-differential equation that arises very often in other problems of engineering and science.

## 2. MAIN RESULTS

As discussed above, our result about the limiting distribution of the number of phrases  $M_n$  in the Lempel-Ziv parsing is a direct consequence (through the renewal equation) of our main finding concerning the limiting distribution of the internal path length in a digital search tree built from fixed number of independent words. In sequel, we first carry out our analysis for digital trees, and then provide necessary tools to derive the limiting distribution of  $M_n$ . We recall that the tree constructed during the course of the Lempel-Ziv parsing algorithm (cf. Figure 1) is a digital tree built from *random* number of words (phrases), namely  $M_n$ .

Let us first consider a digital search tree built from  $m$  statistically independent words each generated according to the Bernoulli model. We leave the root empty, and then store the next word in the first available node, as discussed above (cf. [11, 15]). Let  $D_m(i)$  be the length of a path from the root to the  $i$ th node containing this word. In fact, note that  $D_m(i) = D_i(i)$  for  $m \geq i$  since the position of the  $i$ th node does not depend on words inserted after it. We define the internal path length as  $L_m = \sum_{i=1}^m D_i(i)$ .

Hereafter, we shall consistently use  $n$  as the length of a single word to be parsed according to the Lempel-Ziv scheme, and  $m$  as the number of words used to construct an independent digital search tree.

We infer probabilistic behavior of  $L_m$  from its generating function behavior. Thus we apply “analytical approach” to the problem. Define for complex  $u$  and  $z$  the following generating functions  $L_m(u) = Eu^{L_m}$  and complex  $z$   $L(z, u) = \sum_{m=0}^{\infty} L_m(u)z^m/(m!)$ . We also set  $\tilde{L}(z, u) = L(z, u)e^{-z}$  which can be interpreted as the generating function of the internal path length in a family of digital search trees built from a random number of words that is distributed according to Poisson with mean  $z$ . Observe that this is a standard poissonization trick but disguised in a generating function form. One expects a simpler equation for  $L(z, u)$  than for  $L_m(u)$ , and it turns to be true, as seen below.

There is a recurrence relationship on  $L_m(u)$  and  $L(z, u)$ . Indeed, noting that the left and the right subtrees of a digital search tree are characterized by  $L_k(u)$  and  $L_{m+1-k}(u)$ , where  $k$  is the number of words with the first symbol being “0”, we immediately obtain (cf. [10, 22])

$$L_{m+1}(u) = u^m \sum_{k=0}^m \binom{m}{k} p^k q^{m-k} L_k(u) L_{m-k}(u). \quad (1)$$

with  $L_0(u) = 1$ . Hence, also

$$\frac{\partial L(z, u)}{\partial z} = L(pzu, u)L(qzu, u) \quad (2)$$

with  $L(z, 0) = 1$ . This is our basic functional-differential equation that we solve asymptotically to obtain the limiting distribution of  $L_m$ . We observe that the above equation is of a



multiplicative form which makes the problem hard to “crack”.

Before we formulate our main theorem concerning  $L_m$ , we guide the reader through the proof of Theorem 1 below. Here are the main steps of the analysis presented in Section 3:

1. We first analyze the Poisson model that is characterized by the exponential bivariate generating function  $L(z, u)$  satisfying (2).
2. In order to solve (2) we try to transform it into an additive functional equation by considering  $\log L(z, u)$ . This is only possible if one proves the existence of  $\log L(z, u)$  in some domain. Hence, we shall prove that there is a convex cone (cf. Definition 1) around the real axis and a real neighbourhood of  $u = 1$  such that for some  $\kappa(u)$  we have  $\log L(z, u) = \Theta(z^{\kappa(u)})$  (cf. Theorem 5 and proof in Section 3.2).
3. Next, we use the Taylor expansion of  $\log L(z, u)$  in the convex cone to show that for large  $z$  the generating function  $L(z, u)$  appropriately normalized converges to the generating function of the normal distribution (cf. Theorem 6).
4. To prove the above we must compute precise asymptotic expansions for the average and the variance of the internal path length in the Poisson model (cf. Theorem 6).
5. The final effort is to de-Poissonize the above results, that is, to transform the normal distribution of the Poisson model into the normal distribution of the Bernoulli model (cf. Theorem 9 and proof in Section 3.3).

In section 3 we shall follow the above outline to prove our main results concerning a digital search tree, which is stated below.

**Theorem 1A.** *Consider a digital search tree under the asymmetric Bernoulli model.*

(i) *Asymptotically the average value  $EL_m$  and the variance  $\text{Var } L_m$  become*

$$EL_m = \frac{m}{h} \left( \log m + \frac{h_2}{2h} + \gamma - 1 - \alpha + \delta_0(\log m) \right) + \frac{1}{h} \left( \log m + \frac{h_2}{2h} - \gamma - \log p - \log q + \alpha \right) + O(1) \quad (3)$$

$$\text{Var } L_m = c_2 m \log m + O(m) \quad (4)$$

where  $h = -p \log p - q \log q$  is the entropy of the alphabet,  $\gamma = 0.571 \dots$  is the Euler constant,  $h_2 = p \log^2 p + q \log^2 q$ , and  $c_2 = (h_2 - h^2)/h^3$ ,

$$\alpha = - \sum_{k=1}^{\infty} \frac{p^{k+1} \log p + q^{k+1} \log q}{1 - p^{k+1} - q^{k+1}}, \quad (5)$$

and  $\delta_0(\log m)$  is fluctuating functions with small amplitude for  $\log p/\log q$  rational and zero otherwise (cf. [9, 18, 22]).

(ii) Let  $c_1 = 1/h$ . Then

$$\frac{L_m - EL_m}{\sqrt{\text{Var } L_m}} \rightarrow N(0, 1) \quad (6)$$

where  $N(0, 1)$  is the standard normal distribution. In fact, a stronger result holds, namely for a complex  $\vartheta$  in a neighbourhood of zero, and for any  $\varepsilon > 0$

$$e^{-\vartheta c_1 m \log m} E e^{\vartheta L_m} = e^{c_2 \frac{\vartheta^2}{2} m \log m} \left(1 + O(1/m^{1/2+\varepsilon})\right) . \quad (7)$$

(iii) There exist positive constants  $A$  and  $\alpha < 1$  such that uniformly in  $k$

$$\Pr \left\{ \left| \frac{L_m - EL_m}{\sqrt{\text{Var } L_m}} \right| > k \right\} < A\alpha^k \quad (8)$$

for large  $m$ . ■

Actually, our analytical approach also works for the symmetric Bernoulli model. We need, however, in this a case to refine the method to obtain the leading term in the asymptotics of the variance. Fortunately, this was recently done by Kirschenhofer, Prodinger and Szpankowski [10] who proved that

$$\text{Var } L_m^{sym} \sim (C + \delta(\log_2 m))m \quad (9)$$

where  $C = 0.26600\dots$  and  $\delta(x)$  is a fluctuating function with small amplitude (cf. Theorem 1B). In the above, we write  $L_m^{sym}$  for the internal path length in the symmetric case. We have the following result.

**Theorem 1B.** For the symmetric Bernoulli model the following equivalence of (7) holds

$$e^{-\vartheta m \log_2 m} E e^{\vartheta L_m^{sym}} = e^{\frac{\vartheta^2}{2} m(C + \delta(\log_2 m))} \left(1 + O(1/m^{1/2+\varepsilon})\right) , \quad (10)$$

for any  $\varepsilon > 0$ , where  $\delta(x)$  is periodic continuous function of period 1, mean 0 and very small amplitude ( $< 10^{-6}$ ). Similarly, uniformly in  $k$

$$\Pr \left\{ \left| \frac{L_m^{sym} - EL_m^{sym}}{\sqrt{m(C + \delta(\log_2 m))}} \right| > k \right\} < A\alpha^k \quad (11)$$

for large  $m$ . ■

Equipped with Theorem 1, we now can attack the main problem, namely the limiting distribution of the number of phrases  $M_n$  in the Lempel-Ziv parsing scheme. Fortunately, the problem can be reduced to the one discussed in Theorem 1 through the so called *renewal equation* which we introduce next.

We recall that  $D_i(i)$  is the length of the  $i$ th phrase in the Lempel-Ziv parsing scheme built from (fixed!)  $m$  words (cf. [7, 14]), that is, the depth of the  $i$ th node in the associated digital tree. Fix now  $n$ , and start partitioning the sequence of length  $n$  into phrases. Clearly,  $D_1(1) = 1$ . After obtaining the second phrase, we check whether  $D_1(1) + D_2(2) > n$  or not. If yes, stop here, otherwise continue the process. It should be clear by now that the number of phrases  $M_n$  can be computed from the following relationship

$$M_n = \max\{m : L_m = \sum_{k=1}^m D_i(i) \leq n\}. \quad (12)$$

The above equation is known as the *renewal equation* (cf. [2]). We also observe that it directly implies the following

$$\Pr\{M_n > m\} = \Pr\{L_m \leq n\}, \quad (13)$$

which is useful in some computations. The following result is due to Billingsley [2] (cf. Theorem 17.3).

**Lemma 2.** *Let  $M_n$  and  $L_m$  satisfy the relationship (12), and assume  $D_i(i)$  are positive random variables. Then*

$$\frac{L_m - \mu_m}{\sigma_m} \rightarrow N(0, 1), \quad (14)$$

implies

$$\frac{M_n - n/(\mu_n/n)}{\sigma_n(\mu_n/n)^{-3/2}} \rightarrow N(0, 1) \quad (15)$$

where  $\mu_m$  and  $\sigma_m$  are positive constants that under mild standard uniform integrability arguments can be asymptotically interpreted as the mean and the variance of  $L_m$ . ■

Theorem 1 is next used to obtain the following result that proves the open problem left in Aldous and Shields [1]. Define  $\Lambda(m) = EL_m$  for all integer  $m$ , and let for all  $y \geq 0$   $\Lambda(y)$  be a linear interpolation of  $\Lambda(m)$  between integer points. Now, let  $\Lambda^{-1}(x)$  be the inverse function of  $\Lambda(y)$  defined for  $x \geq 0$ . Note that  $\Lambda(x) \sim \frac{x \log x}{h}$  and  $\Lambda^{-1}(x) \sim \frac{hx}{\log x}$  for  $x \rightarrow \infty$ . As easy to check, the function  $\Lambda(\cdot)$  is convex, hence  $\Lambda^{-1}(\cdot)$  is concave.

**Theorem 3.** (i) *In the asymmetric Bernoulli model, the following weak convergence holds*

$$\frac{M_n - EM_n}{\sqrt{\text{Var} M_n}} \rightarrow N(0, 1) \quad (16)$$

with

$$EM_n \sim \frac{nh}{\log(n)} \quad (17)$$

$$\text{Var} M_n \sim \frac{c_2 h^3 n}{\log^2 n} \quad (18)$$

where  $c_2$  was defined above.

(ii) There exist positive real numbers  $A$ ,  $\alpha$  and  $n_0 \geq 1$  such that for all  $n > n_0$ , and for real number  $x \geq 0$ :

$$\Pr\{M_n \geq (1 + \frac{x}{\sqrt{n}})\Lambda^{-1}(n)\} \leq A \exp\left(-\alpha \frac{x}{\sqrt{1+x}}\right) \quad (19)$$

$$\Pr\{M_n < (1 - \frac{x}{\sqrt{n}})\Lambda^{-1}(n)\} \leq A \exp(-\alpha x) \quad (20)$$

Thus, for all  $r \geq 0$  the random variable  $Z_n = \frac{M_n - \Lambda^{-1}(n)}{\sqrt{c_2 h^3 n / \log^2 n}}$  is  $r$ -uniform integrable, and therefore all moments of  $Z_n$  exist and converge to appropriate moments of the normal distribution. Furthermore, for any (fixed)  $\varepsilon > 0$  and large  $n$

$$\Pr\left\{M_n > (1 + \varepsilon) \frac{nh}{\log n} \left(1 + O\left(\frac{\log \log n}{\log n}\right)\right)\right\} \leq A \exp\left(-\frac{a\varepsilon}{c_2 \sqrt{h(1-\varepsilon)}} \sqrt{n}\right) \quad (21)$$

for some constants  $A, a > 0$ .

(iii) For the symmetric alphabet, the results from the asymmetric model stand as above if one replaces the variance by

$$\text{Var } M_n^{sym} \sim \frac{n(C + \delta(\log_2 n))}{\log_2^3 n} \quad (22)$$

where the constant  $C = 0.26600 \dots$  and  $\delta(x)$  is defined in Theorem 1B. In (ii) one must replace  $\sqrt{n}$  by  $\sqrt{n/\log n}$ .

**Proof.** Part (i) is a direct consequence of Lemma 2 with an exception of (17)-(18) which follow from part (ii) (see below). To prove part (ii) we will basically show that uniform integrability over  $L_m$  naturally translates into uniform integrability over  $M_n$  simply by renewal equation. We refer to exponential tail of  $L_m$  established in Theorems 1A. Paraphrasing it, we can find positive  $A$  and  $\alpha$  such that for all  $m$  and  $y \geq 0$ , the following two inequalities hold:

$$\Pr\{L_m < \Lambda(m)(1-y)\} \leq A \exp(-\alpha y \sqrt{\Lambda(m)}) \quad (23)$$

$$\Pr\{L_m > \Lambda(m)(1+y)\} \leq A \exp(-\alpha y \sqrt{\Lambda(m)}) \quad (24)$$

Note that in the first inequality  $y \leq 1$  since  $L_m$  cannot be negative.

Let us first consider inequality (23). We refer to the fundamental identity (13) to obtain

$$\Pr\{M_{\lfloor \Lambda(m)(1-y) \rfloor} \geq m\} = \Pr\{L_m < \Lambda(m)(1-y)\}.$$

But, (23) implies

$$\Pr\{M_n \geq \Lambda^{-1}(n(1-y)^{-1})\} \leq A \exp\left(-\alpha \frac{y\sqrt{n}}{\sqrt{1-y}}\right)$$

Using concavity of  $\Lambda^{-1}(\cdot)$  we also have  $\Lambda^{-1}\left(\frac{n}{1-x}\right) \leq \frac{\Lambda^{-1}(n)}{1-x}$ , therefore  $\Pr\{M_n \geq \Lambda^{-1}(n(1-y)^{-1})\} \geq \Pr\{M_n \geq (1-y)^{-1}\Lambda^{-1}(n)\}$ . Thus,

$$\Pr\{M_n \geq (1-y)^{-1}\Lambda^{-1}(n)\} \leq A \exp\left(-\alpha \frac{y\sqrt{n}}{\sqrt{1-y}}\right).$$

Identifying  $1 + \frac{x}{\sqrt{n}}$  with  $\frac{1}{1-y}$  for  $x \geq 0$  we finally obtain

$$\Pr\{M_n \geq (1 + \frac{x}{\sqrt{n}})\Lambda^{-1}(n)\} \leq A \exp\left(-\alpha \frac{x}{\sqrt{1 + \frac{x}{\sqrt{n}}}}\right) \leq A \exp\left(-\alpha \frac{x}{\sqrt{1+x}}\right)$$

which proves (19).

To prove the second inequality (20), we use (24). Now  $y \geq 0$ . Using the same arguments as above, we find

$$\Pr\{M_n < \Lambda^{-1}(n(1+y)^{-1})\} \leq A \exp\left(-\alpha \frac{y\sqrt{n}}{\sqrt{1+y}}\right)$$

By concavity of  $\Lambda^{-1}(\cdot)$  we obtain  $\Lambda^{-1}(n(1+y)^{-1}) \geq (1+y)^{-1}\Lambda^{-1}(n)$ . Therefore,  $\Pr\{M_n < \Lambda^{-1}(n(1+y)^{-1})\} \geq \Pr\{M_n < (1+y)^{-1}\Lambda^{-1}(n)\}$  and thus:

$$\Pr\{M_n < (1+y)^{-1}\Lambda^{-1}(n)\} \leq A \exp\left(-\alpha \frac{y\sqrt{n}}{\sqrt{1+y}}\right).$$

Identifying  $1 - \frac{x}{\sqrt{n}}$  with  $\frac{1}{1+y}$  for  $x \geq 0$  (but smaller than  $\sqrt{n}$  because  $M_n$  cannot be negative) we obtain as expected (20), namely

$$\Pr\{M_n < (1 - \frac{x}{\sqrt{n}})\Lambda^{-1}(n)\} \leq A \exp\left(-\alpha \frac{x}{\sqrt{1 - \frac{x}{\sqrt{n}}}}\right) \leq A \exp(-\alpha x).$$

Clearly, (19)-(20) imply for all  $r \geq 0$   $r$ -uniform integrability of  $Z_n = \frac{M_n - \Lambda^{-1}(n)}{\sqrt{c_2 h^3 n / \log^2 n}}$ , thus the suitable convergence of its moments to appropriate moments of the normal distribution. In particular

$$EM_n = \Lambda^{-1}(n)(1 + o(1/\sqrt{n}))$$

and

$$\text{Var } M_n \sim (\text{Var } L_n) \cdot (\Lambda^{-1}(n)/n)^3.$$

and this proves (17) and (18). ■

Theorem 1 and Theorem 2 have several important consequences for data compression, coding theory, and so forth. To keep the length of this paper under control, we shall discuss

only two new results, namely the number of parsings of given length (cf. [7]), and a large deviation estimate of the Lempel-Ziv code redundancy (cf. [16, 20]).

Let us start with the problem posed by Gilbert and Kadota [7], namely: How many parsings of total length  $n$  one can construct from  $m$  words? For example, for  $m = 2$  we have four parsings of length three, namely: (0)(00), (0)(01), (1)(10) and (1)(11), and two parsings of length two, namely: (0)(1) and (1)(0). Thus, let  $F_m(n)$  be the number of parsings built from  $m$  words of total length  $n$ , and let  $F_m(x) = \sum_{n=0}^{\infty} F_m(n)x^n$  be its generating function. Note that (cf. [7])

$$F_{m+1}(x) = x^m \sum_{k=0}^m \binom{m}{k} F_k(x) F_{m-k}(x). \quad (25)$$

The next result is direct consequence of Theorem 1B and it answers the question of [7].

**Corollary 4A.** *The number of parsings built from  $m$  words of total length  $n$  is*

$$F_m(n) = 2^n \Pr\{L_m^{sym} = n\}. \quad (26)$$

*In particular, for  $n = m \log_2 m + O(\sqrt{m})$  we obtain asymptotically*

$$F_m(n) \sim \frac{2^n}{\sqrt{2\pi(C + \delta(\log_2 n))m}} \exp\left(-\frac{(n - m \log_2 m)^2}{2(C + \delta(\log_2 n))m}\right) \quad (27)$$

*where  $C$  and  $\delta(x)$  are defined in Theorem 1B. If  $n = (1 + \varepsilon)m \log_2 m$ , then the large deviation result (11) must be used.*

**Proof.** Consider the recurrence (25) and note that  $F_m(x/2) = L_m^{sym}(x)$ . The rest follows from Theorem 1B and the analysis of Section 3. ■

Finally, we consider the redundancy rate  $R_n$  of the Lempel-Ziv code. It is defined as (cf. [16, 20])

$$R_n = \frac{(M_n + 1) \log M_n - nh}{n}. \quad (28)$$

(Note that  $(M_n + 1) \log M_n$  is the length of the Lempel-Ziv code while  $nh$  is the length of the optimal code.) The redundancy rate  $R_n$  is a measure of the additional cost in using the Lempel-Ziv code instead of the optimal one predicted by the *Source Coding Theorem* (cf. [3]). It is known [16] that for the Bernoulli model  $ER_n = O(\log \log n / \log n)$ , but very little seems to be known about large deviation behavior of  $R_n$ , that is, how quickly the Lempel-Ziv code achieves the optimal rate. The next results solves this problem.

**Corollary 4B.** *For  $r < h$  and large  $n$*

$$\Pr\{R_n > r\} = \Pr\{(M_n + 1) \log M_n > n(h + r)\} \leq A \exp\left(-ar\sqrt{n/(h - r)}\right) \quad (29)$$

for some constants  $A, a > 0$ .

**Proof.** It is a simple consequence of (21) from Theorem 3(ii), and an asymptotic solution of  $(M_n + 1) \log M_n = n(h + \tau)$ . Details are left for the interested reader. ■

### 3. ANALYSIS AND PROOFS

This section provides all necessary details required to prove our main finding Theorem 1. We shall adhere to the plan outlined in the previous section. However, for the reader's convenience we describe the proof in three parts: First, we present main ingredients of the proof (Sec. 3.1), then we discuss details of the asymptotic solution of the functional equation (cf. Sec. 3.2), and finally de-Poissonization (Sec. 3.3).

#### 3.1. A Streamlined Analysis

We shall consistently use the notation from Section 2. In particular, we write  $L_m(z)$  to denote the generating function of the internal path length, and  $L(z, u)$  for the bivariate generating function. We assume the function equation (2) holds, that is,

$$\frac{\partial L(z, u)}{\partial z} = L(pzu, u)L(qzu, u) \quad (30)$$

with  $L(z, 0) = 1$ .

As before, by  $\tilde{L}(z, u) = L(z, u)e^{-z}$  we denote the moment generating function in the Poisson model. Let also  $\tilde{X}(z)e^z = L'_u(z, 1)$  and  $\tilde{V}(z)e^z = L''_{uu}(z, 1) + L'_u(z, 1) - (L'_u(z, 1))^2$  where  $L'_u(z, 1)$  and  $L''_{uu}(z, 1)$  denote the first and the second derivative of  $L(z, u)$  with respect to  $u$  at  $u = 1$ . We observe that  $\tilde{X}(z)$  and  $\tilde{V}(z)$  are the mean and the variance of  $L_m(z)$  in the Poisson model. We shall need a precise asymptotics of  $L(z, u)$ ,  $\tilde{X}(z)$  and  $\tilde{V}(z)$  as  $z \rightarrow \infty$  in a cone around the real axis for  $u$  real and positive in a neighbourhood  $\mathcal{U}(1)$  of  $u = 1$ .

The domain of  $z$  we shall work with is a *convex cone*  $\mathcal{C}(D, \delta)$  defined as follows.

**Definition 1.** CONVEX CONE. *The set  $\mathcal{C}(D, \delta)$  of  $z = x + iy$  is called the convex cone if for  $\delta < 1$  and  $x > 0$  we have  $|y| \leq Dx^\delta$  for some  $D > 0$ . ■*

The crucial part of our proof relies on proving the existence of the logarithm of  $L(z, u)$  in a convex cone and real positive  $u$ . For this, we need a precise bounds for  $L(z, u)$  in such a cone. Let  $\kappa(u)$  be a solution of the following equation

$$(pu)^{\kappa(u)} + (qu)^{\kappa(u)} = 1. \quad (31)$$

It is easy to notice that  $\kappa(u) = 1 + h(u - 1) + O((u - 1)^2)$ . In Section 3.2 we prove the following result that is “heart” of our asymptotic analysis of the function equation (30).

**Theorem 5.** (i) *There exists a convex cone  $\mathcal{C}(D, \delta)$ , a neighbourhood  $\mathcal{U}(1)$  of  $u = 1$ , and a constant  $\xi$  such that for  $|z| > \xi$  the logarithm of  $L(z, u)$  exists and  $\log L(z, u) = \Theta(z^{\kappa(u)})$ .*

(ii) *In addition, under the same hypothesis as above, for any  $\beta > 0$  and all  $l \geq 1$*

$$\frac{\partial^l}{\partial^l u} \log L(z, u) = \Theta(z^{\kappa(u)+\beta}) \quad (32)$$

for  $z \in \mathcal{C}(D, \delta)$  and  $z \rightarrow \infty$ . ■

Now we are ready to formulate our main result concerning the Poisson model.

**Theorem 6.** *In the Poisson model for  $(z, u) \in \mathcal{C}[D, \delta] \times \mathcal{U}(1)$  the following holds for any  $\beta > 0$  and  $z \rightarrow \infty$  (with  $u = e^t$  for some real  $t$  in the vicinity of zero)*

$$\log L(z, e^t) = z + \tilde{X}(z)t + \tilde{V}(z)\frac{t^2}{2} + O(t^3 z^{\kappa(u)+\beta}), \quad (33)$$

where the mean  $\tilde{X}(z)$  and the variance  $\tilde{V}(z)$  become asymptotically

$$\tilde{X}(z) = \frac{z}{h} \log z + \frac{z}{h} \left( \gamma - 1 + \frac{h_2}{2h} - \alpha - \delta_1(\log z) \right) + O(1), \quad (34)$$

and

$$\tilde{V}(z) = \frac{z \log^2 z}{h^2} + \frac{2z \log z}{h^3} \left( \gamma h + h_2 - \frac{h^2}{2} - \alpha h - h \delta_1(\log z) \right) + O(z), \quad (35)$$

where

$$\alpha = - \sum_{k=1}^{\infty} \frac{p^{k+1} \log p + q^{k+1} \log q}{1 - p^{k+1} - q^{k+1}}. \quad (36)$$

The function  $\delta_1(x)$  is identically equal to zero when  $\frac{\log p}{\log q}$  is irrational, while for  $\frac{\log p}{\log q} = \frac{r}{t}$  where  $r, t$  are integers such that  $\gcd(r, t) = 1$ , the function  $\delta_1(\log z)$  is fluctuating with a small amplitude as given by the formula below

$$\delta_1(\log z) = \sum_{\substack{\ell=-\infty \\ \ell \neq 0}}^{\infty} \frac{\Gamma(s_0^\ell) Q(-2)}{Q(s_0^\ell - 1)} \exp\left(-\frac{2\pi i \ell r}{\log p} \log z\right), \quad (37)$$

where

$$Q(s) = \prod_{k=0}^{\infty} (1 - p^{-s+k} + q^{-s+k}), \quad (38)$$

and  $s_0^\ell = -1 + 2\pi i \ell r / \log p$  for  $\ell = \mathcal{Z} = \pm 1, \pm 2, \dots$  is a solution of  $1 = p^{-s} + q^{-s}$ .

**Proof.** Using Taylor's expansion of  $\log L(z, u)$  we obtain

$$\log L(z, u) = \log L(z, 1) + (u - 1) \frac{\partial}{\partial u} \log L(z, 1) + \frac{(u - 1)^2}{2} \frac{\partial^2}{\partial u^2} \log L(z, 1) + R(z, u)$$



with  $R(z, u)$  being the remaining term of the following form

$$R(z, u) = \int_0^u \frac{(v-1)^3}{3!} \frac{\partial^3}{\partial v^3} \log L(z, v) dv .$$

Due to Theorem 5 the error term is  $O(z^{\kappa(u)+\beta}(u-1)^3)$ . Now it suffices to note that  $\log L(z, 1) = z$  and to substitute  $u = e^t$  for  $t$  in the vicinity of zero to obtain (33).

The remaining part of the proof is devoted to derive the asymptotics on  $\tilde{X}(z)$  and  $\tilde{V}(z)$ . Since we need several terms of such asymptotic expansions (to prove our main result concerning the Bernoulli model; cf. Lemma 10 below) we use the Mellin transform method. The reader may familiarize himself with the technique from [15].

Consider first the the mean  $\tilde{X}(z)$ . Direct differentiation of our basic equation (30) leads to the following recurrence

$$\tilde{X}(z) + \tilde{X}'(z) = \tilde{X}(zp) + \tilde{X}(zq) + z . \quad (39)$$

Let  $X(s)$  denote the Mellin transform of  $\tilde{X}(z)$ , that is,  $X(s) = \int_0^\infty \tilde{X}(z) z^{s-1} dz$ . It can be easily proved that it exists in the strip  $\Re s \in (-2, -1)$ . Observe that the Mellin transform of  $\tilde{X}'(z) - z$  is also defined in  $\Re s \in (-2, -1)$ . Then, (39) translates into

$$X(s) - (s-1)X(s-1) = p^{-s}X(s) + q^{-s}X(s) . \quad (40)$$

in terms of the Mellin transforms.

To solve the functional equation (40) we make a substitution  $X(s) = \gamma(s)\Gamma(s)$  where  $\Gamma(s)$  is the gamma function (cf. [8, 11]), and  $\gamma(s)$  satisfies the following recurrence

$$\gamma(s) - \gamma(s-1) = p^{-s}\gamma(s) + q^{-s}\gamma(s) .$$

After some algebra one obtains

$$\gamma(s) = \prod_{k=0}^{\infty} \frac{1 - p^{k+2} - q^{k+2}}{1 - p^{-s+k} + q^{-s+k}} = \frac{Q(-2)}{Q(s)} \quad (41)$$

for  $\Re s \in (-2, -1)$ . Applying the Cauchy residue theorem (cf. [8]) to the above (i.e., inverting the Mellin transform) one proves (34). In fact, the calculation are almost exactly the same as the ones done in [22], so they are omitted (the fluctuating function  $\delta_1(x)$  for  $\log p / \log q$  rational is derived below).

The variance is more intricate, as already seen in [10]. We observe (after quite tedious algebra) that  $\tilde{W}(z) = \tilde{V}(z) - \tilde{X}(z)$  satisfies the following recurrence

$$\tilde{W}(z) + \tilde{W}'(z) = \tilde{W}(zp) + \tilde{W}(zq) + 2zp\tilde{X}'(zp) + 2zq\tilde{X}'(zq) + (\tilde{X}'(z))^2 . \quad (42)$$

This functional equation is harder to solve due to the last term for which there is no closed form expression for the Mellin transform. But, fortunately, we can prove that the last term contributes  $O(z)$  and we need only terms up to  $O(z)$  (to recover the leading terms in the variance in the Bernoulli model as indicated by (52) of Lemma 10). Indeed, let  $\widetilde{W}(z) = \widetilde{W}_1(z) + \widetilde{W}_2(z)$  where

$$\widetilde{W}_1(z) + \widetilde{W}_1'(z) = \widetilde{W}_1(zp) + \widetilde{W}_1(zq) + 2zp\widetilde{X}'(zp) + 2zq\widetilde{X}'(zq) \quad (43)$$

$$\widetilde{W}_2(z) + \widetilde{W}_2'(z) = \widetilde{W}_2(zp) + \widetilde{W}_2(zq) + (\widetilde{X}'(z))^2. \quad (44)$$

Using the tools of Section 3.2, we will prove in the appendix the following simple result.

**Lemma 7A.** *A solution  $\widetilde{W}_2(z)$  of (44) satisfies  $\widetilde{W}_2(x) = O(z)$  for  $z \rightarrow \infty$ . ■*

We concentrate now on solving (43) for  $\widetilde{W}_1(z)$ . Its Mellin transform  $W_1(s)$  becomes

$$W_1(s) - (s-1)W_1(s-1) = (p^{-s} + q^{-s})W_1(s) - 2(p^{-s} + q^{-s})sX(s).$$

After substitution  $W_1(s) = \Gamma(s)\beta(s)$  we find

$$\beta(s)(1 - p^{-s} - q^{-s}) - \beta(s-1) = -2(p^{-s} + q^{-s})s\gamma(s),$$

and after simple iterations as in the case of  $\gamma(s)$ , we finally obtain

$$\begin{aligned} W_1(s) &= -2\Gamma(s) \sum_{k=0}^{\infty} \frac{(p^{-s} + q^{-s})(s-k)\gamma(s-k)}{\prod_{m=0}^k (1 - p^{-s+m} - q^{-s+m})} \\ &= -2\Gamma(s) \sum_{k=0}^{\infty} \frac{(p^{-s} + q^{-s})(s-k)Q(-2)}{\prod_{m=0}^k (1 - p^{-s+m} - q^{-s+m})Q(s-k)}. \end{aligned} \quad (45)$$

We must now find the reverse Mellin transform of  $W(s)$ , that is

$$\widetilde{W}_1(z) = \frac{1}{2\pi i} \int_{-3/2-i\infty}^{-3/2+i\infty} \beta(s)\Gamma(s)z^{-s} ds. \quad (46)$$

Clearly, the Cauchy residue theorem is the simplest way to estimate the above integral. Note that the poles of the function under the integral are roots of  $1 = p^{-s+k} + q^{-s+k}$  for  $k = 0, 1, \dots$ . We need the following result that detailed proof can be found in Jacquet [9] and Schachinger [19].

**Lemma 7B.** *Let  $s_k^\ell$  for  $k = 0, 1, \dots$  and  $\ell = \mathcal{Z} = 0, \pm 1, \pm 2, \dots$  be solutions of*

$$p^{-s+k} + q^{-s+k} = 1$$

where  $p + q = 1$  and  $s$  is complex.

(i) For all  $\ell \in \mathcal{Z}$  and  $k = 0, 1, \dots$

$$-1 + k \leq \Re(s_k^\ell) \leq \sigma_0 + k \quad (47)$$

where  $\sigma_0$  is a positive solution of  $1 + q^{-s} = p^{-s}$ . Furthermore,

$$\frac{(2\ell - 1)\pi}{\log p} \leq \Im(s_k^\ell) \leq \frac{(2\ell + 1)\pi}{\log p}$$

(ii) If  $\Re(s_k^\ell) = -1 + k$  and  $\Im(s_k^\ell) \neq 0$ , then  $\log p / \log q$  must be rational. More precisely, if  $\frac{\log p}{\log q} = \frac{r}{t}$  where  $\gcd(r, t) = 1$  for  $r, t \in \mathcal{Z}$ , then

$$s_k^\ell = -1 + k + \frac{2\ell r \pi i}{\log p} \quad (48)$$

for all  $\ell \in \mathcal{Z}$ . ■

Having the above, we can continue our investigation of  $\widetilde{W}_1(z)$  given by (46). As in [4, 11, 22] we conclude that the dominating pole of the Cauchy integral is  $s_0^0 = -1$ , and for  $\log p / \log q = r/t$  (rational) we also must consider the poles  $s_0^\ell = -1 + 2\ell r \pi i / \log p$ . Actually, we can assess that the remaining poles for  $k \neq 0$  contribute only  $O(\log z)$  which is negligible compared to  $O(z)$  contributed by  $\widetilde{W}_2(z)$  (cf. Lemma 7A). We first consider  $s_0^0 = -1$  (irrespective whether  $\log p / \log q$  is rational or not). This results in evaluating the residue of  $f(s) = -2a(s) \cdot b(s)$  where

$$\begin{aligned} a(s) &= z^{-s} s \Gamma(s) (p^{-s} + q^{-s}) (1 - p^{-s} + q^{-s})^{-2}, \\ b(s) &= Q(-2) \prod_{m=1}^{\infty} (1 - p^{-s+m} - q^{-s+m})^{-1} = Q(-2) / Q(s-1). \end{aligned}$$

Using MAPLE, we find the following expansion for  $a(s)$  around  $s_0^0 = -1$

$$a(s) = -\frac{z \log z}{h^2} \frac{1}{(s+1)^2} + \frac{z \log z}{(s+1)} \left( \frac{\log z}{2h^2} + \frac{1}{h^2} + \frac{\gamma-1}{h^2} + \frac{h_2}{h^3} - \frac{1}{h} \right) + O(1).$$

Also, by Lemma 2.3 of [4] (cf. also Lemma 3.1 of [22]) we find that

$$b(s) = 1 - \alpha(s+1) + O((s+1)^2),$$

where  $\alpha$  is defined in (36). Thus, taking the product of the above, and computing the coefficient at  $(s+1)^{-1}$  we obtain the desired residue. This leads to the dominating term in (35) except the function  $\delta_1(x)$  coming from the poles  $s_0^\ell$  for  $\ell \neq 0$ .

Let now  $\ell \neq 0$ . If  $\log p / \log q$  is irrational, then  $\Re(s_0^\ell) = \sigma_0 > -1$ , thus this pole only contributes  $O(z^{-\sigma_0} \log z)$  and can be savely ignored in comparison with  $O(z)$  coming from  $\widetilde{W}_2(z)$ .

Now we assume that  $\log p / \log q = r/t$  (rational) for some integers  $r, t \in \mathcal{Z}$ . By Lemma 7B we know that  $s_0^\ell = -1 + 2\pi i \ell r / \log p$  for  $\ell \in \mathcal{Z}$ . The residue of the function under the integral (46) becomes

$$\Delta_1(\log z) = \sum_{\substack{\ell=-\infty \\ \ell \neq 0}}^{\infty} \frac{\Gamma(s_0^\ell) Q(-2) \epsilon^{-2\pi i \ell r \log_p z}}{h^2(s_0^\ell) Q(s_0^\ell - 1)},$$

where  $h(s_0^\ell) = -p^{-s_0^\ell} \log p - q^{-s_0^\ell} \log q$ . But  $h(s_0^\ell) = h = -p \log p - q \log q$  since  $p^{2\ell r i \pi / \log p} = q^{2\ell r i \pi / \log p} = 1$ . Thus,  $\Delta_1(x) = h^{-2} \delta_1(x)$ , and this completes the proof of Theorem 6. ■

As a simple consequence of Theorem 6 we obtain the following corollary that completes the proof for the Poisson model. Actually, the Poisson model is “cracked” by Theorem 6. We formalize it in the next corollary which provides the limiting distribution of the path length in the Poisson model.

**Corollary 8.** *For any  $\epsilon > 0$  the following takes place*

$$\tilde{L}\left(z, e^{t/\sqrt{\tilde{V}(z)}}\right) e^{-t\tilde{X}(z)/\sqrt{\tilde{V}(z)}} = e^{t^2/2} \left(1 + O\left(1/m^{1/2+\epsilon}\right)\right), \quad (49)$$

*i.e., the path length is normally distributed with parameters  $\tilde{X}(z)$  and  $\tilde{V}(z)$ . Moreover, the moments  $\tilde{L}(z)$  converge to the appropriate moments of the normal distribution. ■*

The main problem that remains to be settled is to de-Poissonize Corollary 8, that is, to obtain results for the original Bernoulli model. This work is of tauberian style, and needs subtle arguments. In Section 3.3 we prove the following result.

**Theorem 9. DE-POISSONIZATION.** *Consider the Bernoulli model, and let  $\tilde{X}(m)$  and  $\tilde{V}(m)$  be the values of the mean and the variance of the Poisson model at  $z = m$ . Then, for any  $\beta > 0$  and real  $t$  in the vicinity of zero*

$$L_m\left(e^{t/\sqrt{m}}\right) \exp\left(-\frac{\tilde{X}(m)}{\sqrt{m}}t - \frac{\tilde{V}(m) - m(\tilde{X}'(m))^2}{2m}t^2\right) = 1 + O(1/m^{1/2-\beta}) \quad (50)$$

*for large  $m$ . ■*

The rest is easy. Let  $X_m = \tilde{X}(m) = c_1 m \log m + O(m)$  and  $V_m = \tilde{V}(m) - m^2(\tilde{X}'(m))^2 = c_2 m \log m + O(m)$ . We shall prove below that  $EL_m \sim X_m$ , and  $\text{Var } L_m \sim V_m$ , and furthermore  $L_m$  converges to the normal distribution with parameters  $X_m$  and  $V_m$  which completes the proof of Theorem 1. More formally:

**Lemma 10.** *There exists  $\epsilon > 0$  such that*

$$L_m\left(e^{t/\sqrt{V_m}}\right) \exp\left(-tX_m/\sqrt{V_m}\right) = e^{t^2/2} \left(1 + O\left(1/m^{1/2+\epsilon}\right)\right) \quad (51)$$

with the variance

$$V_m = \text{Var } L_m = \tilde{V}(m) - m(\tilde{X}'(m))^2 + O(m) = c_2 m \log m + O(m). \quad (52)$$

**Proof.** Observe that  $\ell_m(t) = L_m(e^{t/\sqrt{V_m}})e^{-X_m t/\sqrt{V_m}}$  is the Laplace transform of a random variable  $\ell_m = (L_m - X_m)/\sqrt{V_m}$ . From Theorem 9 we know that for any real  $t$  the moment generating function  $\ell_m(t)$  converges to  $e^{t^2/2}$ , that of the standard normal distribution. But, clearly the convergence is also true for any complex  $t$  since  $|\ell_m(t)| \leq \ell_m(|t|) + \ell_m(-|t|)$ , so Theorem 9 implies also the convergence in moments. Hence

$$\begin{aligned} \lim_{m \rightarrow \infty} \mathbb{E}(\ell_m) &= \lim_{m \rightarrow \infty} \frac{\mathbb{E}L_m - X(m)}{\sqrt{V_m}} = 0 \\ \lim_{m \rightarrow \infty} \text{Var}(\ell_m) &= \lim_{m \rightarrow \infty} \frac{\text{Var } L_m}{V_m} = 1. \end{aligned}$$

Observe that (52) follows directly from the above and (50) (cf. [9, 18]). ■

### 3.2 Asymptotic Solution of the Functional Equation

Our goal is to solve asymptotically the functional equation (30) for  $u$  real positive in a neighbourhood  $\mathcal{U}(1)$  of  $u = 1$  and  $z \rightarrow \infty$  in the convex cone  $\mathcal{C}(D, \delta)$ . More precisely, in this section we prove Theorem 5 presented in the previous section.

We start with establishing Theorem 5(i), that is, we show that  $\log L(z, u) = O(z^{\kappa(u)})$  in  $\mathcal{C}(D, \delta) \times \mathcal{U}(1)$  where  $\kappa(u)$  is defined as a solution of (31). We found, however, working with  $L(z, u)$  rather inconvenient due to the fact that its exponential growth makes it hard to control the function even in a small domain. Therefore, we introduce a polynomial kernel which is a function  $f(z, u)$  defined as

$$f(z, u) = \frac{L(z, u)}{L'_z(z, u)} = \frac{L(z, u)}{L(quz, u)L(puz, u)}. \quad (53)$$

Note that  $f^{-1}(z, u) \equiv 1/f(z, u) = \frac{d}{dz} \log L(z, u)$ .

In the first part of this section, we shall work with  $f(z, u)$  as a function of  $z$ , so we often simplify the notation to  $f(z)$ . We also write  $f'(z)$  to denote the derivative of  $f(z)$  with respect to  $z$ . Clearly, the kernel  $f(z)$  satisfies the following differential equation

$$f'(z) = 1 - \left( \frac{pu}{f(puz)} + \frac{qu}{f(quz)} \right) f(z). \quad (54)$$

Since  $L(0, u) = 1$  and  $L(z, 1) = e^z$  we also have  $f(0, u) = 1$  and  $f(z, 1) = 1$ .

Instead of proving Theorem 5(i) we establish the following result that directly implies Theorem 5(i) by noting that  $\log L(z, u) = \int_0^z f^{-1}(x) dx$ .

**Theorem 11.** *There exists a polynomial cone  $\mathcal{C}(D, \delta)$ , a neighbourhood  $\mathcal{U}(1)$  of real positive  $u = 1$ , and a constant  $\xi$  such that for  $|z| > \xi$  uniformly in  $(z, u)$  for some  $a(u)$  and  $A(u)$  (independent of  $z$ ) the following holds*

$$a(u)|z^{1-\kappa(u)}| \leq |f(z, u)| \leq A(u)|z^{1-\kappa(u)}| \quad (55)$$

with  $a(u), A(u) \rightarrow 1$  as  $u \rightarrow 1$ . ■

The proof of Theorem 11 proceeds into steps, namely, we first show it for real  $z$  (cf. Theorem 11A) and then extend it to complex  $z$  (cf. Theorem 11B). We formulate this formally in the following two theorems.

**Theorem 11A.** *There exist a neighbourhood  $\mathcal{U}(1)$  of  $u = 1$ , a constant  $\xi$ , and non-negative  $a(u)$  and  $A(u)$  such that for all real  $x > \xi$  and  $u \in \mathcal{U}(1)$  the following holds:  $a(u)x^{1-\kappa(u)} \leq f(x) \leq A(u)x^{1-\kappa(u)}$  where  $a(u), A(u) \rightarrow 1$  as  $u \rightarrow 1$ . ■*

**Theorem 11B.** *For  $\delta < 1$  and any  $\beta > 0$  (with  $\delta + \beta < 1$ ) there exists  $\mathcal{U}(1)$ , a constant  $\xi$ , and a convex cone  $\mathcal{C}(D, \delta)$  such that for a constant  $B(u)$  the following is true  $|f'(z)| \leq B(u)|z|^{-\kappa(u)+\beta}$  for  $|z| > \xi$ . ■*

Before we proceed to prove Theorems 11A and 11B we observe that they directly imply Theorem 11. Indeed, note that

$$f(z) = f(\Re(z)) + \int_{\Re(z)}^z f'(x) dx .$$

Thus,  $f(z) - f(\Re(z)) = \Theta(z^{-\kappa(u)+\delta+\beta})$  which establishes (55) provided  $\delta + \beta < 1$ .

We now formulate five facts that are used in the proofs of Theorems 11A and 11B.

**Fact 1.** *Consider a differential inequality of the form  $f'(z) \leq b(z) - g(z)f(z)$ . Let  $G(z)$  be the primitive function of  $g(z)$ . Then for any  $z$  and  $z_0$*

$$f(z) \leq f(z_0)e^{G(z_0)-G(z)} + \int_{z_0}^z b(x)e^{G(x)-G(z)} dx .$$

**Proof.** Note that  $(f(z)\exp(G(z)))' \leq b(z)\exp(G(z))$ . Thus, integrating this over  $(z_0, z)$  we establish our claim. ■

**Fact 2.** *For all  $a$  and  $d$  in a compact set such that  $a, d > 0$  and  $x \rightarrow \infty$  we have the following for some constant  $A > 0$*

$$\begin{aligned} \int_0^x y^{a-1} \exp\left(\frac{y^d - x^d}{d}\right) dy &= x^{a-d}(1 + O(1/x)) , \\ \int_0^x (x^a - y^a) \exp\left(\frac{y^d - x^d}{Ad}\right) dy &= aAx^{a+1-2d}(1 + O(1/x)) , \\ \int_0^x e^{ay^d} dy &= \frac{e^{ax^d}}{adx^{d-1}} (1 + O(1/x)) . \end{aligned}$$

In particular,

$$\int_0^x \exp\left(\frac{y^d - x^d}{Ad}\right) dy = Ax^{1-d}(1 + O(1/x)).$$

**Proof.** These asymptotic formulas seem to be well known (cf. [21]), however, for completeness we provide a sketch of a proof. Therefore, we only sketch a proof of the first two formulas. Let

$$I(x) = \int_0^x y^{a-1} \exp\left(\frac{y^d - x^d}{d}\right) dy.$$

Using the Taylor expansion of the form  $y^b = x^b + (y - x)bx^{b-1}(1 + O(x^{-1}))$ , one obtains

$$\begin{aligned} I(x) &= \int_0^x \left(x^{a-1} + (y - x)(a - 1)x^{a-2}(1 + O(1/x))\right) \exp\left((y - x)x^{d-1}(1 + O(1/x))\right) dy \\ &= (1 + O(1/x)) \int_0^x x^{a-1} \exp(-yx^{d-1}) dy \\ &= x^{a-d}(1 + O(1/x)) \int_0^\infty e^{-y} dy. \end{aligned}$$

To prove the second formula, let

$$J(x) = \int_0^x (x^a - y^a) \exp\left(\frac{y^d - x^d}{d}\right) dy.$$

Using the same Taylor expansion as above  $y^b = x^b + (y - x)bx^{b-1}(1 + O(x^{-1}))$ , one obtains

$$\begin{aligned} J(x) &= \int_0^x \left(x^{a-1} + (y - x)(a - 1)x^{a-2}(1 + O(1/x))\right) \exp\left((y - x)x^{d-1}(1 + O(1/x))\right) dy \\ &= ax^{a-1} \int_0^x y \exp(-yx^{d-1}) dy \\ &= x^{a+1-2d}(1 + O(1/x)) \int_0^\infty ye^{-y} dy, \end{aligned}$$

and this completes the proof. ■

**Fact 3.** (i) Let  $y_m(x)$  be a sequence of nonnegative continuous functions of  $x$  satisfying the recurrence inequality  $y_{m+1} \leq y_m(x) \cdot F(x, y_m)$ . If  $F(x, y)$  is continuous in  $(x, y)$ , and for all  $y \in [0, y_0(0)]$  we have  $F(0, y) < 1 - \varepsilon$  for  $\varepsilon > 0$ , then there exists a neighbourhood  $\mathcal{U}(0)$  of  $x = 0$  such that  $y_m(x)$  uniformly decreases to zero with an exponential rate; more precisely  $y_m(x) = O((1 - \varepsilon)^m)$ .

(ii) Under the same hypotheses as above, let now  $y_{m+1}(x) \leq B(x) + y_m(x) \cdot F(x, y_m)$ . If for a small neighbourhood  $\mathcal{U}(0)$  of  $x = 0$  we have  $F(x, y) < 1 - \varepsilon$  for  $\varepsilon > 0$  and  $\max\{B(x)(1 + 1/\varepsilon), y_0(x)\} < D$ , where  $D > 0$ , then the sequence  $y_m(x)$  is uniformly bounded for  $x \in \mathcal{U}(0)$ , that is,  $y_m(x) \leq D$ .

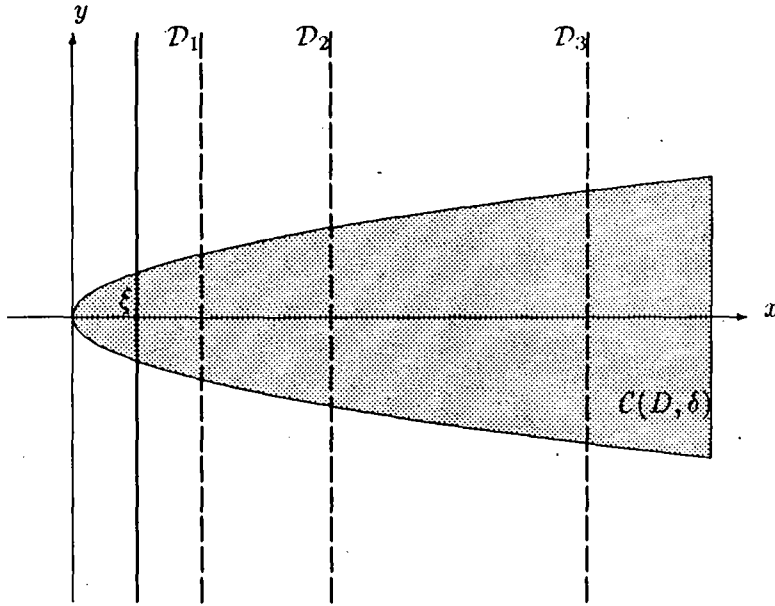


Figure 2: Illustration to the convex cone  $C(D, \delta)$  and the domains  $D_m$  defined in Fact 4.

(iii) Under the same hypothesis as in (i), the solution  $y_m(x)$  of  $y_{m+1}(x) \leq \max\{y_m(x), y_m(x) \cdot F(x, y_m(x))\}$  uniformly decays to zero. Similarly, under assumptions of (ii)  $y_m(x)$  satisfying  $y_{m+1}(x) \leq \max\{y_m(x), B(x) + y_m(x)F(x, y_m(x))\}$  is uniformly bounded.

**Proof.** These results are direct consequences of the fixed point theorem. For completeness, we show how to prove part (ii). Note that the recurrence has the following solution

$$y_{m+1} \leq B(x) \left( 1 + \sum_{k=1}^m F(x, y_k) \right) + y_0(x) \prod_{k=0}^m F(x, y_k).$$

The result follows directly from the above and the assumptions. ■

**Fact 4.** Let us consider  $\mathcal{U}(1)$  of  $u = 1$  such that  $0 < \max\{pu, qu\} \leq \nu < 1$ . Define for  $m = 1, 2, \dots$  a sequence of increasing compact domains  $D_m$  as  $D_m = \{z : \Re(z) \in [\xi, \nu^{-m}]\}$  with  $\xi > \nu$  (cf. Figure 2). Then,

$$x \in D_{m+1} - D_m \quad \Rightarrow \quad pux, qux \in D_m.$$

for all  $x$ . ■

**Fact 5.** Let  $f(z)$  be a holomorphic function defined on a convex cone  $C(D, \delta)$  on which  $f(z) = O(z^\alpha)$  for some  $\alpha$  when  $z \rightarrow \infty$ . Let  $f^{(k)}(z) = \frac{d^k}{dz^k} f(z)$ . Then, for all  $k \geq 1$  there exists a smaller convex cone  $C(D', \delta)$  with  $D' < D$  such that:  $f^{(k)}(z) = O(z^{\alpha-k\delta})$ .



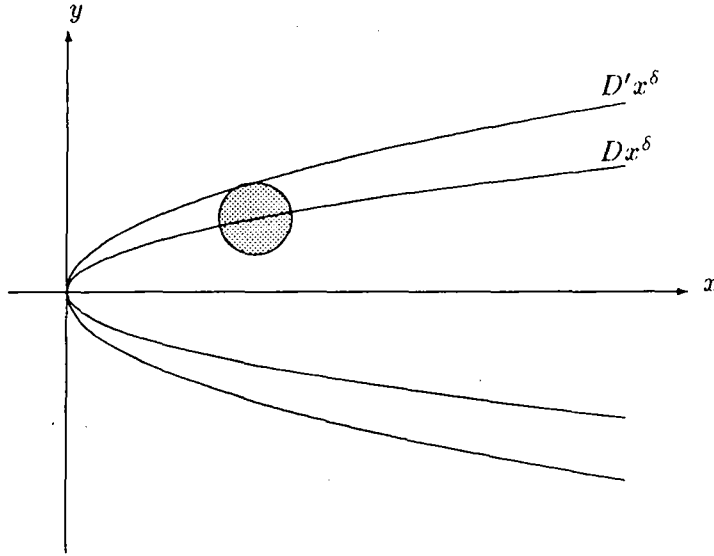


Figure 3: Illustration to the proof of Fact 5.

**Proof.** The Cauchy formula reads (cf. [8])

$$f^{(k)}(z) = \frac{k!}{2i\pi} \oint \frac{f(w)}{(w-z)^{k+1}} dx$$

with the integration being done on a complex loop encircling  $z$ . Fix  $z \in \mathcal{C}(D, \delta)$ , and let  $z$  also belongs to the boundary of another (smaller) cone  $\mathcal{C}(D', \delta)$  (i.e.,  $z = x + iy$  with  $y = D'x^\delta$ ). We now consider a circle of integration that is the largest possible but still contained in the bigger cone  $\mathcal{C}(D, \delta)$  (cf. Figure 3). Note that the circle we are working with has the radius smaller than  $(D - D')|z|^\delta$ . Thus, using the fact that  $|f(w)| \leq B|w|^\alpha$  for some  $B$  and complex  $w$ , we finally obtain after a trivial majorization in the above Cauchy formula

$$|f^{(k)}(z)| \leq (k!)B \frac{|z|^\alpha}{(|z|^\delta(D - D'))^k}$$

This proves Fact 5. ■

#### A. ANALYSIS ON REAL AXIS

We now prove Theorem 11A. For simplicity we write  $a$  and  $A$  for  $a(u)$  and  $A(u)$ , and  $\kappa$  for  $\kappa(u)$ . Let  $A_m$  and  $a_m$  be upper and lower bounds for  $f(x)x^{\kappa(u)-1}$  on the domain  $\mathcal{D}_m$  (restricted to real line) defined in Fact 4. If we prove that both  $a_m$  and  $A_m$  are bounded (with respect to  $m$ ), then we establish our result. We concentrate on the upper bound since the lower bound mimics the proof of the upper bound.

We use induction with respect to  $m$ . Clearly,  $A_1$  is bounded on  $\mathcal{D}_1 \cap \mathcal{C}(D, \delta)$  since  $L(z, u)$  is nonzero on this set for some  $\mathcal{U}(1)$  due to compactness of  $\mathcal{D}_1 \cap \mathcal{C}(D, \delta)$  and  $L(z, 1) = e^z$ . So, let now  $x$  denote a real number belonging to  $\mathcal{D}_{m+1} - \mathcal{D}_m$ . By induction assumption,

$f(pux) \leq A_m(pux)^{1-\kappa}$  and  $f(qux) \leq A_m(qux)^{1-\kappa}$ . Observe now that (53) and the above implies  $f'(x) \leq 1 - x^{\kappa-1} A_m^{-1} f(x)$ . Thus, by Fact 2 with  $z_0 = \nu x$  we have

$$f(x) \leq f(\nu x) \exp\left(-\frac{(1-\nu^\kappa)x^\kappa}{\kappa A_m}\right) + \int_{\nu x}^x \exp\left(\frac{y^\kappa - x^\kappa}{\kappa A_m}\right) dy .$$

Multiplying the above by  $x^{\kappa-1}$ , we obtain  $A_{m+1} \leq \max\{A_m, A'_{m+1}\}$  where

$$A'_{m+1} \leq A_m \max_{x \in [\nu^{-m}, \nu^{-m-1}]} \left\{ \nu^{-\kappa} \exp\left(-\frac{(1-\nu^\kappa)x^\kappa}{\kappa A_m}\right) + \int_{\nu x}^x \exp\left(\frac{y^\kappa - x^\kappa}{\kappa A_m}\right) dy \right\} .$$

We proceed in two steps. First, we let  $v_m = A_m \nu^{\kappa m}$ , and prove that  $v_m$  exponentially decays to zero. Secondly, we prove that  $A_m$  is an increasing sequence uniformly bounded from the above.

We know, by Fact 2, that

$$\int_{\nu x}^x \exp\left(\frac{y^\kappa - x^\kappa}{\kappa}\right) dy = x^{1-\kappa} \left(1 - e^{-x^\kappa(1-\nu^\kappa)}\right) (1 + O(1/x)) = x^{1-\kappa} \eta(x) ,$$

where  $\eta(x) = 1 + O(1/x)$ . Thus

$$A_{m+1} \leq \max\{A_m, A_m \nu^{-\kappa} \exp(-\nu^{-\kappa m}/(A_m \kappa)) + A_m \eta(\nu^{-m}/(A_m)^{1/\kappa})\} . \quad (58)$$

which can be reduced to

$$v_{m+1} \leq v_m F(u, v_m) \quad (59)$$

where  $F(u, v_m) = \max\{\nu^\kappa, \exp(-(v_m \kappa)^{-1}) + \nu^\kappa \eta(v_m^{-1/\kappa})\}$ . Note that  $F(\cdot, \cdot)$  is of the form already discussed in Fact 3. Clearly, there exists  $m_0$  such that  $F(1, v_{m_0}) < 1$  for  $m > m_0$ , which implies exponential decay of  $v_m$ . To see this it is enough to observe that  $F(x, 0) = \nu^\kappa < 1$  and  $F(\cdot, \cdot)$  is a continuous function (for  $u = 1$  one also has  $A_m = 1$ , as desired). Thus by (i) of Fact 3, the exponential decay of  $v_m$  follows.

Now we return to (58) to get

$$A_{m+1} \leq A_m \max\{1, (\nu^{-\kappa} \exp(-(v_m \kappa)^{-1}) + \eta(v_m^{-1/\kappa}))\} ,$$

and then  $A_{m+1} \leq (1 + O(v_m)) A_m$ . Thus

$$A_{m+1} \leq A_0 \prod_{j=0}^m (1 + O(v_j^\kappa)) < \infty , \quad (60)$$

which proves that  $A_m$  are uniformly bounded by  $A_\infty$ . Clearly, as  $\mathcal{U}(1)$  becomes smaller and smaller (i.e.,  $u \rightarrow 1$ ) the constant  $A_\infty(u)$  tends to 1.

The lower bound can be shown along the same lines. In particular, we derive  $a_{m+1} \geq \min\{a_m, a'_m\}$  where

$$a'_{m+1} \geq a_m \min_{x \in [\nu^{-m}, \nu^{-m-1}]} \left\{ \nu^{-\kappa} \exp\left(-\frac{(1-\nu^\kappa)x^\kappa}{\kappa a_m}\right) + \int_{\nu x}^x \exp\left(\frac{y^\kappa - x^\kappa}{\kappa a_m}\right) dy \right\}.$$

Since  $a_m \nu^{\kappa m} \leq v_m$ , we get  $a_{m+1} \geq (1 - O(v_m))a_m$ . This gives the expected result. We also have the uniform lower bound  $a_\infty(u)$  for  $a_m$  tending to 1 as  $u \rightarrow 1$ .

## B. ANALYSIS ON THE COMPLEX PLANE

Now we prove Theorem 11B which extends Theorem 11A to the complex plane (more precisely: to a convex cone). We need the following preliminary lemma.

**Lemma 12.** *Let  $A$ ,  $a$  and  $\mathcal{U}(1)$  be defined as in Theorem 11A, and let  $z = x + jy$  be such that  $z \in \mathcal{C}(D, \delta)$ . If  $|f'(z)| \leq Bx^{-\kappa(u)+\beta}$  for some  $\beta > 0$ , and  $|y| \leq x^{1-\beta}$  with  $\delta < 1 - \beta$ , then*

$$(a - Bx^\beta \left|\frac{y}{x}\right|)x^{1-\kappa(u)} \leq |f(z)| \leq (A + Bx^\beta \left|\frac{y}{x}\right|)x^{1-\kappa(u)}, \quad (61)$$

$$|\Im(f(z))| \leq Bx^{1-\kappa(u)+\beta} \left|\frac{y}{x}\right|, \quad (62)$$

$$x^{1-\kappa(u)}(a - Bx^\beta \left|\frac{y}{x}\right|) \leq \Re(f(z)) \leq x^{1-\kappa(u)}(A + Bx^\beta \left|\frac{y}{x}\right|), \quad (63)$$

$$|\Im(f^{-1}(z))| \leq \frac{Bx^{\kappa(u)-1} x^\beta \left|\frac{y}{x}\right|}{(a - Bx^\beta \left|\frac{y}{x}\right|)^2}, \quad (64)$$

$$\frac{x^{\kappa(u)-1}(a - Bx^\beta \left|\frac{y}{x}\right|)}{(A + Bx^\beta \left|\frac{y}{x}\right|)^2 + (Bx^\beta \left|\frac{y}{x}\right|)^2} \leq \Re(f^{-1}(z)) \leq \frac{x^{\kappa(u)-1}(A + Bx^\beta \left|\frac{y}{x}\right|)}{(a - Bx^\beta \left|\frac{y}{x}\right|)^2}. \quad (65)$$

**Proof.** The proof is a straightforward application of  $f(z) = f(x) + \int_x^z f'(y)dy$  and the following estimate  $|\int_x^z f'(y)dy| \leq |z - x| \max_{y \in [x, z]} \{f'(y)\}$  (cf. [8]). For example, the left-hand side of (63) can be proved as follows:

$$\Re(f(z)) \geq f(x) - \left| \int_x^z f'(y)dy \right| \geq ax^{1-\kappa} - |y|Bx^{-\kappa+\beta}.$$

The last two inequalities are direct consequences of the previous ones and

$$\frac{1}{f(z)} = \frac{\Re(f(z))}{\Re^2(f(z)) + \Im^2(f(z))} - i \frac{\Im(f(z))}{\Re^2(f(z)) + \Im^2(f(z))}.$$

This completes the proof. ■

Equipped in this result, we proceed to the proof of Theorem 11B. The proof is by induction over the domains  $\mathcal{D}_m$  as defined in Fact 4. We have already proved in Theorem 11A that in a neighbourhood  $\mathcal{U}(1)$  there exist  $a(u)$  and  $A(u)$  satisfying Theorem 11A such that  $a(u), A(u) \rightarrow 1$  as  $u \rightarrow 1$ . We further briefly denote these quantities as  $a$  and  $A$ . We consider a convex

cone such that the domains  $\mathcal{D}_m$  inside such a cone form a compact set (cf. Fig.2). Finally, we assume throughout the proof that  $\delta < 1 - \beta$ .

Let  $B_m$  be an upper bound of  $|f'(z)|x^{\kappa(u)-\beta}$  where  $x = \Re(z)$ . If we prove that  $B_m$  are uniformly bounded, then our theorem is shown, since  $|z| = O(\Re(z))$  in our convex cone. Clearly,  $B_1$  is bounded, so we proceed as before by induction. Below, we write  $x = \Re(z)$  and  $y = \Im(z)$ .

Let  $g(z) = \frac{p^u}{f(puz)} + \frac{q^u}{f(quz)}$ , and then  $f'(z) = 1 - g(z)f(z)$ . By  $G(z)$  we denote the primitive function of  $g(z)$ . Using Fact 2, we just have (with  $z_0 = \nu z$ )

$$f(z) = f(\nu z) \exp(G(\nu z) - G(z)) + \int_{\nu}^1 \exp(G(tz) - G(z)) z dt,$$

Differentiating the above, and after some elementary algebra, we obtain

$$f'(z) = r(z) \exp(G(\nu z) - G(z)) + \int_{\nu}^1 (g(tz) - g(z)) \exp(G(tz) - G(z)) z dt \quad (66)$$

with  $r(z) = (\nu g(\nu z) - g(z))f(\nu z) + \nu f'(\nu z) + (1 - \nu)$ .

Our next task is to estimate various terms in (66) to get a suitable recurrence for  $B_m$ . This is possible since by Fact 4 we have  $putz$  and  $quz$  belong to  $\mathcal{D}_m$  for all  $t \in [\nu, 1]$  if  $z \in \mathcal{D}_{m+1}$ , and thus we can invoke the induction hypothesis.

Let us start with an estimate for  $g(tz)$ . Using (64) and (65) of Lemma 12, we immediately obtain

$$\begin{aligned} \Im(g(tz)) &\leq (tx)^{\kappa-1+\beta} B_m \left| \frac{y}{x} \right| F_1(a, A, B_m), \\ \Re(g(tz)) &\geq (tx)^{\kappa-1} (A - B_m x^\beta \left| \frac{y}{x} \right|) F_1(a, A, B_m), \end{aligned}$$

where  $F_1(a, A, B_m) = a^{-2}(1 - B_m)^{-2}$  and  $F_2(a, A, B_m) = 1/((A + B_m)^2 + B_m^2)$  are rational functions of  $a, A, B_m$  such that  $F_1(1, 1, 0) = F_2(1, 1, 0) = 1$ . More precisely, we have  $\lim_{u \rightarrow 1} F_1(a(u), A(u), B_m(u)) = \lim_{u \rightarrow 1} F_2(a(u), A(u), B_m(u)) = 1$ .

We now estimate  $\Re(G(z) - G(tz))$ . Observe that for  $z = x + iy$

$$\begin{aligned} \Re(G(z) - G(tz)) &= \int_t^1 \Re(g(z\theta)z) d\theta = \int_t^1 (x\Re(g(\theta z)) - y\Im(g(\theta z))) d\theta \\ &\geq x^\kappa \left( (a - B_m)F_2(a, A, B_m) - x^{-1}|y|B_m F_1(a, A, B_m) \right) \int_t^1 \theta^{\kappa-1} d\theta \\ &\geq x^\kappa \frac{1 - t^\kappa}{\kappa} F_3(a, A, B_m) \end{aligned} \quad (67)$$

where  $F_3(a, A, B_m) = (a - B_m)F_2(a, A, B_m) - B_m F_1(a, A, B_m)$  being a rational function of  $a, A, B_m$  such that  $F_3(1, 1, 0) = 1$ .

Now we are ready to give estimate on the terms of right hand side in (66). We start with estimate over  $r(z)$ . We refer to the previous estimate over  $g(tz)$  to get the following:

$$|\nu g(\nu(z)) - g(z)| \leq (1 + \nu^{\kappa-1})x^{\kappa-1} F_1(a, A, B_m).$$

We also have

$$|f(\nu z)| \leq x^{1-\kappa} (A + x^\beta \frac{y}{x} |B_m|),$$

hence

$$|(\nu g(\nu(z)) - g(z))f(\nu z)| \leq (1 + \nu^{\kappa-1}) F_4(a, A, B_m)$$

with  $F_4(a, A, B_m) = F_1(a, A, B_m)(A + B_m)$ . We easily check that  $F_4(1, 1, 0) = 1$ .

By hypothesis  $|f'(\nu z)| \leq (\nu x)^{-\kappa+\beta} B_m$ , hence  $|r(z)| \leq B_m(\nu x)^{-\kappa+\beta} + R(u, B_m)$  with  $R(u, B_m) = (1 + \nu^{\kappa-1}) F_4(a, A, B_m) + 1 - \nu$ .

Estimating the integral on the right hand side of (66) is more intricate to deal with, and needs careful computations. First we estimate  $g(tz) - g(z)$  under the integral in (66). We take advantage of the identity  $g(tz) - g(z) = \int_t^1 g'(\theta z) z d\theta$ . We formally have  $-g'(z) = \frac{(pu)^2 f'(puz)}{f^2(puz)} + \frac{(qu)^2 f'(quz)}{f^2(quz)}$ . We refer to the estimate  $|f'(z)| \leq B_m x^{-\kappa+\beta}$  and  $|f(z)|^{-1} \leq x^{\kappa-1} F_1(a, A, B_m)$  valid for  $z \in \mathcal{D}_m$  to get

$$|g(tz) - g(z)| \leq B_m x^{\kappa-\beta+1} \frac{1 - t^{\beta+\kappa-2}}{\beta + \kappa + 2} ((pu)^{\kappa+\beta} + (qu)^{\kappa+\beta}) (F_1(a, A, B_m))^2 \quad (68)$$

We observe that  $(pu)^{\kappa+\beta} + (qu)^{\kappa+\beta} = \mu < 1$ . Using the estimate on  $\Re(G(tz) - G(z))$  established in (67), one shows

$$\left| \int_\nu^1 (g(zt) - g(z)) \exp(G(zt) - G(z)) z dt \right| \leq B_m \mu (F_1(a, A, B_m))^2 \int_{\nu x}^x \frac{x^{\beta+\kappa-1} - y^{\beta+\kappa-1}}{\beta + \kappa - 1} \exp\left(\frac{y^\kappa - x^\kappa}{\kappa} F_3(a, A, B_m)\right) dy.$$

By Fact 2, we obtain

$$\left| \int_\nu^1 (g(zt) - g(z)) \exp(G(zt) - G(z)) z dt \right| \leq \mu B_m x^{\beta-\kappa} (1 + O(1/x)) F_5(a, A, B_m)$$

with  $F_5(a, A, B_m) = (F_1(a, A, B_m))^2 (F_3(a, A, B_m))^{-1}$ .

Putting everything together we finally obtain

$$|f'(z)| \leq R(u, B_m) \exp(-(1 - \nu^\kappa) x^\kappa F_3(a, A, B_m)) + B_m x^{-\kappa+\beta} \left( \mu F_5(a, A, B_m) + \nu^{-\kappa+\beta} \exp(-(1 - \nu^\kappa) x^\kappa F_3(a, A, B_m)) \right).$$

We use this global estimate to carry out the recurrence for  $B_{m+1}$  which becomes

$$B_{m+1} \leq \max\{B_m, B'_{m+1}\} \quad (69)$$

with

$$B'_{m+1} \leq B_m \left( \mu F_5(a, A, B_m) + \nu^{-\kappa+\beta} \exp(-(1 - \nu^\kappa) \nu^{-\kappa m} F_3(a, A, B_m)) \right) + R(u, B_m) \exp(-(1 - \nu^\kappa) x^\kappa F_3(a, A, B_m)). \quad (70)$$

Let us choose  $(u, B_m)$  in a compact neighbourhood of  $(1, 0)$ , such that, for example  $F_3(a, A, B_m) > 1/2$ . We can rewrite (70) as:

$$B'_{m+1} \leq B_m(\mu F_5(a, A, B_m) + \xi_m) + \xi'_m$$

where  $\xi_m = \exp(-(1 - \nu^\kappa)\nu^{\kappa m}/2)$  and  $\xi'_m = \nu^{\kappa m}\xi_m$  are two sequences both tending to 0 when  $m \rightarrow \infty$ . For any  $\varepsilon > 0$  we can take  $m_0$  large enough such that for all  $m \geq m_0$ :

$$B'_{m+1} \leq B_m(\mu F_5(a, A, B_m) + \varepsilon) + \varepsilon$$

In summary, we have

$$B_{m+1} \leq \max\{B_m, B_m F_6(u, B_m) + \varepsilon\}$$

with  $F_6(1, 0) < \mu + \varepsilon < 1$ . Since  $B_m(1) = 0$  and  $\varepsilon > 0$  can be made as small as needed in a neighbourhood  $\mathcal{U}(1)$  of  $u = 1$ , by Fact 3(iii) the sequence  $B_m$  is uniformly bounded. Note that  $B_\infty(u)$  is continuous and that  $B_\infty(1) = 0$ .

In passing, we observe that we have also proved that  $f^{-1}(z) = O(z^{\kappa(u)-1})$  and  $g(z) = O(z^{\kappa(u)-1})$ .

### C. FINISHING THE PROOF OF THEOREM 5.

We now prove Theorem 5(ii). We start with a simple result.

**Corollary 13.** *Let  $f^{(l)}(z)$  be the  $l$ th derivative of  $f(z)$ . Then, for any  $\beta > 0$  and  $\delta$  (with  $\beta + \delta < 1$ ); there exists  $\mathcal{U}(1)$ , a constant  $\xi$ , and a convex cone  $\mathcal{C}(D, \delta)$  such that  $f^{(l)}(z) = O(z^{-\kappa(u)+\beta-l+1})$  for  $|z| > \xi$ .*

**Proof.** The corollary was already proved for  $l = 0$  and  $l = 1$ . For arbitrary  $l$ , applying Fact 5 to  $f'(z)$  yields  $f^{(l)}(z) = O(z^{-\kappa(u)+\beta-(l-1)\delta})$ . Set now  $\delta > 1 - \varepsilon$  (with  $\varepsilon > 0$ ) and  $\beta' = \beta + (l-1)\varepsilon$  to prove the corollary due to arbitrariness of  $\beta$ . ■

In order to establish Theorem 5(ii) we need an estimate on higher derivatives of  $f(z, u)$  with respect to  $u$  (hereafter, we put again  $u$  into the function  $f(z, u)$ ). Define

$$f^{(l,k)}(z, u) = \frac{\partial}{\partial z^l \partial u^k} f(z, u).$$

We prove the following

**Theorem 14.** *For any  $\beta > 0$  and  $\delta < 1$ , there exists  $\mathcal{U}(1)$  and a convex cone  $\mathcal{C}(D, \delta)$  such that for  $(z, u) \in \mathcal{C}[D, \delta] \times \mathcal{U}(1)$ :  $f_k^{(l,k)}(z, u) = O(z^{-\kappa(u)+\beta-l+1})$ .*

**Proof.** Observe that it suffices to show that  $f^{(0,k)}(z, u) = O(z^{1-\kappa(u)+\beta})$  since by Fact 5 we obtain  $f^{(l,k)}(z, u) = O(z^{-\kappa(u)+\beta-l+1})$  for any  $\beta > 0$  as in the proof of Corollary 13.

To prove  $f^{(0,k)}(z, u) = O(z^{1-\kappa(u)+\beta})$  we proceed by double induction: one with respect to  $k$  and the other with respect to increasing domains  $\mathcal{D}_m$  as discussed in Fact 4.

For  $k = 0$ , our claim is true by Theorem 11B (in fact, in this case  $\beta = 0$ ). So, we assume now that our theorem is true for all  $i < k$  and all  $l \geq 0$ .

After taking the derivative with respect to  $u$ , our basic functional equation (54) is transformed into

$$\begin{aligned} \frac{\partial^2 f(z, u)}{\partial z \partial u} &= f^{(1,1)}(z, u) = \left( \frac{pu f^{(0,1)}(puz, u)}{(f(puz, u))^2} + \frac{qu f^{(0,1)}(quz, u)}{(f(quz, u))^2} \right) f(z, u) \\ &+ f(z, u) \left( \frac{p^2 uz f^{(1,0)}(puz, u) - p f^{(0,1)}(puz, u)}{(f(puz, u))^2} + \frac{q^2 uz f^{(1,0)}(quz, u) - qu f^{(0,1)}(quz, u)}{(f(puz, u))^2} \right) \\ &- \left( \frac{pu}{f(puz, u)} + \frac{qu}{f(quz, u)} \right) f^{(0,1)}(z, u). \end{aligned}$$

This formula suggests the following general scheme

$$f^{(1,k)}(z, u) = b_k(z) + a_k(z) - g(z) f^{(0,k)}(z, u) \quad (71)$$

where  $a_k(z)$  being of the form  $\frac{R_1(z)}{(f(puz, u))^{k+1}} + \frac{R_2(z)}{(f(quz, u))^{k+1}}$  and  $R_i(z)$ 's are polynomials of degree  $k+1$  with terms of the form as  $z^l f^{(l,i)}(z, u)$  at points  $z, puz$  and  $quz$  for  $i$  and  $l$  strictly smaller than  $k$ . Furthermore,

$$b_k(z) = \left( \frac{pu}{(f(puz, u))^2} f^{(0,k)}(puz, u) + \frac{qu}{(f(quz, u))^2} f^{(0,k)}(quz, u) \right) f(z, u).$$

We can easily estimate  $a_k(z)$  and  $b_k(z)$ . For the former, we just note that by the induction assumption for  $i \leq k-1$  we have  $z^l f^{(l,i)}(z, u) = O(z^{1-\kappa(u)+\beta})$ , hence  $a_k(z) = O(1)$ . For the latter, we use the induction with respect to the increasing domains  $\mathcal{D}_m$  as in the previous proofs. Thus, after elementary calculus we obtain  $|b_k(z)| \leq \mu \alpha(u) x^\beta$  due to  $(pu)^{\kappa(u)+\beta} + (qu)^{\kappa(u)+\beta} = \mu < 1$ , where  $\alpha(u) \rightarrow 1$  as  $u \rightarrow 1$ .

Let now  $C_m$  be the upper bound on  $|f^{(0,k)}(z, u) z^{\kappa(u)-\beta-1}|$  over the domains  $\mathcal{D}_m$ . As before, we shall prove that  $C_m$  are uniformly bounded for all  $m$  which will complete the proof. To develop a recursion for  $C_m$  we apply Fact 2 to the differential equation (71). One derives

$$f^{(0,k)}(z, u) = f(\nu z, u) e^{G(\nu z) - G(z)} + \int_{\nu z}^z (a_k(x) + b_k(x)) e^{G(x) - G(z)} dx. \quad (72)$$

In sequel, we estimate the terms of the above equation in order to obtain a recurrence on  $C_m$ .

From (67) we have

$$|\exp(G(\nu z) - G(z))| \leq \exp\left(-x^{\kappa(u)}(1 - \nu^{\kappa(u)}) F_3^{-1}(a, A, B_m)\right)$$

here  $F_3(a, A, B_m)$  was defined below (67). Furthermore, by Fact 2 we also have the following

$$\begin{aligned} \int_{\nu z}^z a_k(x) e^{G(x)-G(z)} dx &\leq \rho_1(u) x^{1-\kappa(u)}, \\ \int_{\nu z}^z b_k(x) e^{G(x)-G(z)} dx &\leq C_m \mu \alpha_2(u) x^{\beta+1-\kappa(u)} (1 + O(1/x)) \end{aligned}$$

where  $\rho_1(u), \alpha_1(u) < \infty$  do not depend on  $z$ , and  $\alpha_1(u) \rightarrow 1$  as  $u \rightarrow 1$ .

Putting everything together, we finally obtain

$$C_{m+1} \leq \max\{C_m, C'_m\}$$

where

$$C'_{m+1} \leq \rho_1(u) \nu^{m\beta} + C_m \left( \mu \alpha_2(u) + \nu^{1+\beta-\kappa(u)} \exp\left(-\rho_2(u) \nu^{-\kappa(u)m} (1 - \nu^{\kappa(u)})\right) \right) (1 + O(1/x))$$

for some  $0 < \rho_2(u) < \infty$  and  $\mu < 1$ . Clearly, the last recurrence can be re-written as

$$C_{m+1} \leq \max\{C_m, c(d) + F(d, C_m)C_m\}$$

for some functions,  $c(\cdot)$  and  $F(\cdot, \cdot)$  such that  $F(0, y) < 1$  and  $c(d) < \infty$  where  $d$  is the diameter of  $\mathcal{U}(1)$ . As in Section 3.2, we can now use Fact 3(iii) to show that  $C'_m$  are uniformly bounded for some  $\mathcal{U}(1)$ , and this completes the proof of Theorem 14. ■

Finally, we are ready to complete the proof of Theorem 5(ii), that is, we show that for any  $\beta > 0$  all derivatives of  $\log L(z, u)$  are of order  $O(z^{\kappa(u)+\beta})$ . First, we note that the derivative in  $z$  of  $\partial^k L(z, u) / \partial u^k$  is equal to  $\partial^k (f(z))^{-1} / \partial u^k$  which leads to

$$\frac{\partial}{\partial u^k} \log L(z, u) = \int_0^z \frac{\partial}{\partial u^k} f^{-1}(x, u) dx.$$

But, the  $k$ th derivative of  $f^{-1}(z, u)$  is a sum of terms like  $f^{(0,k)}(z)(f(z))^{-2}$  and terms like  $(f^{(0,1)}(z))^k (f(z))^{-k-1}$ . By Theorem 14 the former term is of order  $O(z^{\kappa(u)-1+\beta})$  while the latter is  $O(z^{\kappa(u)-1+k\beta})$ . Since  $\beta > 0$  is an arbitrary positive number, the proof of Theorem 5 is finally completed.

### 3.3 De-Poissonization

In this subsection, we prove the de-Poissonization Theorem 9. We use the Cauchy formula

$$L_m(u) = \frac{m!}{2i\pi} \oint L(z, u) \frac{dz}{z^{m+1}}, \quad (73)$$

where the integration is over a circle with the center at the origin and radius  $m$ . We split this circle into two non-overlapping arcs  $\mathcal{A}_m(\theta) \cup \bar{\mathcal{A}}_m(\theta) = \{z : |z| = m\}$  where  $w = mc^{i\theta}$  is a



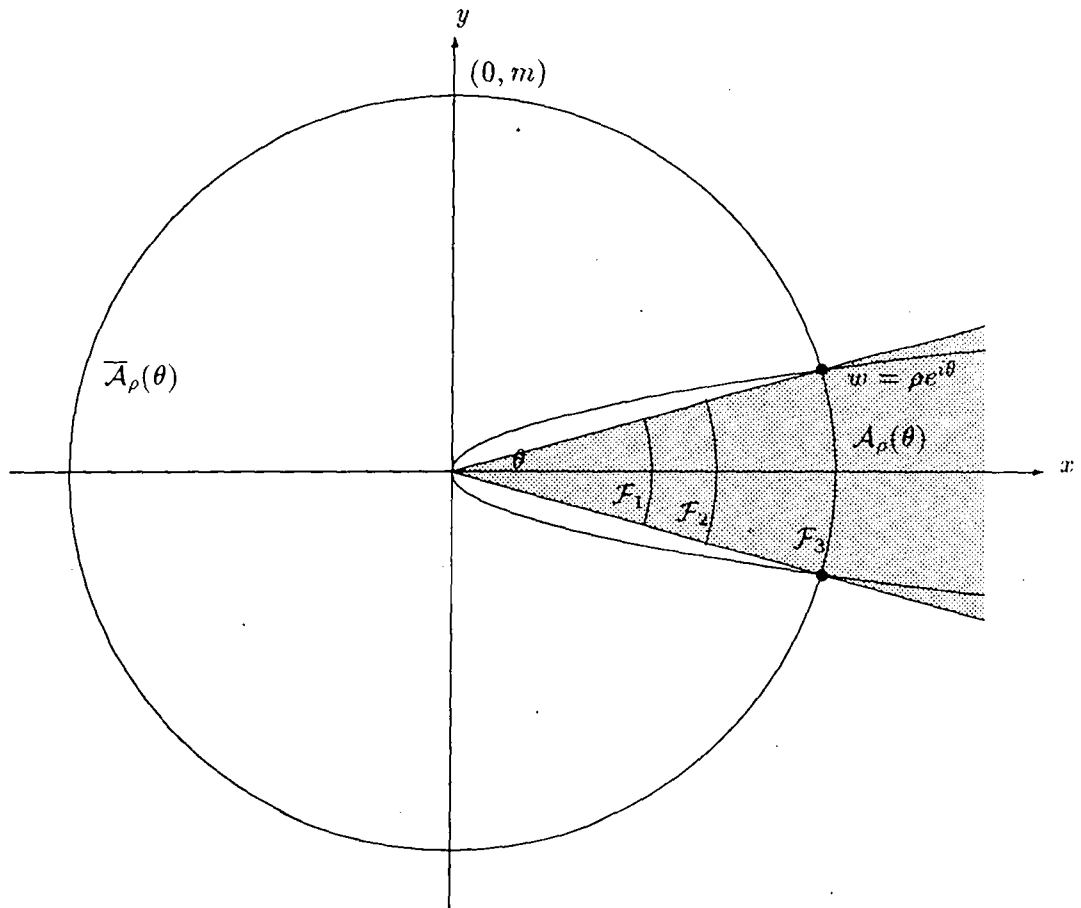


Figure 4: Illustration to de-Poissonization.

point of the circle. (We use standard notation for polar coordinates, that is, for  $z = \rho e^{i\theta}$  we set  $\rho = |z|$  and  $\theta = \arg(z)$ .) More precisely, for  $w = m e^{i\theta}$  ( $\theta > 0$ ) the arc  $\mathcal{A}_m(\theta)$  is defined as  $\mathcal{A}_m(\theta) = \{v : |v| = m \text{ \& } -\theta \leq \arg(v) \leq \theta\}$ , and  $\overline{\mathcal{A}}_m(\theta) = \{v : |v| = m\} - \mathcal{A}_m(\theta)$  (cf. Figure 4). We also write  $\mathcal{A}(w)$  and  $\overline{\mathcal{A}}(w)$  for these arcs.

Our proof of the de-poissonization is based on the ideas already used in Jacquet [9], and Rais *et al.* [17]. Namely, we shall show that the main contribution of the Cauchy formula (73) comes from the integration over the arc  $\mathcal{A}_m(\theta)$  while the remaining contribution over  $\overline{\mathcal{A}}_m(\theta)$  is exponentially small.

To proceed along these lines, we need upper bounds for  $L(z, u)$  over the arcs  $\mathcal{A}_m(\theta)$  and  $\overline{\mathcal{A}}_m(\theta)$  for some  $w = m e^{i\theta}$  on the circle of integration. In Theorem 5 we have already developed a suitable bound over the first arc, so we need only a bound for  $|L(z, u)|$  for  $z \in \overline{\mathcal{A}}_m(\theta)$ . We denote such a bound as  $\overline{L}(w, u)$  for  $w = m e^{i\theta}$ , that is,  $\max_{v \in \overline{\mathcal{A}}_m(\theta)} \{|L(v, u)|\} \leq \overline{L}(w, u)$ . In passing, we observe that for  $w = \Re(w) = x$  real (i.e.,  $\theta = 0$ ) the arc  $\overline{\mathcal{A}}_m(0)$  coincides with the whole circle of integration (of radius  $m$ ), and  $\overline{L}(x, u) = L(x, u)$ . Also, for any complex  $w$  we have  $\overline{L}(w, 1) = |e^w|$ .

Before we formulate our result, we must introduce some new notation. Let  $\alpha(\theta)$  and  $\mu(u)$  be two positive functions of  $\theta$  and  $u$  in a neighbourhoods  $\mathcal{U}_\theta(0)$  and  $\mathcal{U}_u(1)$  respectively of 0 and 1. Actually, we want  $\alpha(0) = 1$  and  $\mu(1) = 0$ , and, if  $\theta \neq 0$ , then  $\cos \theta < \alpha(\theta) < 1$ , and if  $u \neq 1$ , then  $1 + \mu(u) > \kappa(u)$ .

We prove the following theorem that provides the desired bound for  $L(z, u)$  over the arc  $\overline{\mathcal{A}}_m(\theta)$ .

**Theorem 15.** *There exist neighbourhoods  $\mathcal{U}_\theta(0)$  of  $\theta = 0$  and  $\mathcal{U}_u(1)$  of  $u = 1$  such that for some  $w = \rho e^{i\theta}$*

$$\max_{v \in \overline{\mathcal{A}}_\rho(\theta)} \{|L(v, u)|\} \leq \overline{L}(\rho e^{i\theta}, u) \leq \alpha(\theta) \exp(\alpha(\theta) \rho^{1+\mu(u)}) . \quad (74)$$

when  $\rho \rightarrow \infty$ , provided  $\alpha(\theta) = 1 - \theta^2/4$  and  $1 + \mu(u) > \kappa(u)$ .

**Proof.** The proof is by induction over increasing domains as already discussed in Fact 4. However, since we work now with polar coordinates we redefine them. Let  $\mathcal{F}_m = \{z = \rho e^{i\theta} : \theta \in \mathcal{U}_\theta(0) \ \& \ \rho \in [\xi \rho_0, \nu^{-m} \rho_0]\}$  such that  $0 < \max\{pu, qu\} \leq \nu < 1$  and  $\xi > \nu$  (cf. Figure 4), Moreover, we request  $\rho_0 > 1$  such that for all  $\rho > \xi \rho_0$  we have  $\alpha(\theta) \exp(\rho \alpha(\theta)) > \exp(\rho \cos \theta)$  for  $\theta \neq 0$  and for some (small)  $\mathcal{U}_\theta(0)$  and  $\mathcal{U}_u(1)$ .

Take now such a small  $\mathcal{U}_u(1)$  that  $\overline{L}(\rho e^{i\theta}, u) < \alpha(\theta) \exp(\alpha(\theta) \rho^{1+\mu(u)})$  holds for  $u \neq 1$  or  $\theta \neq 0$  (i.e., for  $z \in \mathcal{F}_1$ ). This is possible due to our choice of  $\rho_0$ . Now, we assume (74) is true for all  $m' \leq m$  and we prove it also holds for  $m + 1$ . Let  $z \in \mathcal{F}_{m+1} - \mathcal{F}_m$ . From our basic functional equation we have for  $z_0 = \rho_0 e^{i\theta}$

$$L(z, u) = L(z_0, u) + \int_{z_0}^z L(pux, u) L(qux, u) dx ,$$

which for  $w = \rho e^{i\theta}$  and  $w_0 = \rho_0 e^{i\theta}$  translates into

$$\overline{L}(\rho e^{i\theta}, u) \leq \overline{L}(\rho_0 e^{i\theta}, u) + \int_{\rho_0}^{\rho} \overline{L}(pux e^{i\theta}, u) \overline{L}(qux e^{i\theta}, u) dx .$$

Since  $pux$  and  $qux$  both belong to  $\mathcal{F}_m$  we have by the induction

$$\overline{L}(pux e^{i\theta}, u) \overline{L}(qux e^{i\theta}, u) \leq \alpha^2(\theta) \exp(\alpha(\theta) ((pu)^{1+\mu(u)} + (qu)^{1+\mu(u)}) x^{1+\mu(u)}) .$$

Observe now that due to  $1 + \mu(u) > \kappa(u)$  we have  $(pu)^{1+\mu(u)} + (qu)^{1+\mu(u)} < 1$  by the definition of  $\kappa(u)$ . Therefore,

$$\begin{aligned} \overline{L}(\rho e^{i\theta}, u) &\leq \overline{L}(\rho_0 e^{i\theta}, u) + \int_{\rho_0}^{\rho} \alpha^2(\theta) \exp(\alpha(\theta) x^{1+\mu(u)}) dx \\ &\leq \overline{L}(\rho_0 e^{i\theta}, u) + \int_{\rho_0}^{\rho} \alpha^2(\theta) \left(\frac{x}{\rho_0}\right)^{\mu(u)} \exp(\alpha(\theta) x^{1+\mu(u)}) dx , \end{aligned}$$

which, after integration by parts, leads to

$$\begin{aligned}\overline{L}(\rho e^{i\theta}, u) &\leq \overline{L}(\rho_0 e^{i\theta}, u) + \frac{\alpha(\theta)}{\rho_0^{\mu(u)}(1+\mu(u))} \left( \exp(\alpha(\theta)\rho^{1+\mu(u)}) - \exp(\alpha(\theta)\rho_0^{1+\mu(u)}) \right) \\ &\leq \overline{L}(\rho_0 e^{i\theta}, u) + \alpha(\theta) \exp(\alpha(\theta)\rho^{1+\mu(u)}) - \alpha(\theta) \exp(\alpha(\theta)\rho_0^{1+\mu(u)})\end{aligned}$$

since in  $\mathcal{U}_u(1)$  we can always choose  $\rho_0 > 1$  such that  $\rho_0^{\mu(u)}(1+\mu(u)) > 1$ . Finally, by induction  $\overline{L}(\rho_0 e^{i\theta}, u) \leq \alpha(\theta) \exp(\alpha(\theta)\rho_0^{1+\mu(u)})$  so

$$\overline{L}(\rho e^{i\theta}, u) \leq \alpha(\theta) \exp(\alpha(\theta)\rho^{1+\mu(u)})$$

in  $\mathcal{F}_{m+1} - \mathcal{F}_m$ , hence also in  $\mathcal{F}_{m+1}$ , and this completes the proof of Theorem 15. ■

Finally, we are ready to finish the proof of our main result Theorem 1, by completing the proof of the de-Poissonization Theorem 9. To recall, we want to prove the following (cf. (50))

$$L_m(e^{t/\sqrt{m}}) \exp\left(-\frac{\tilde{X}(m)}{\sqrt{m}}t - \frac{\tilde{V}(m) - m(\tilde{X}'(m))^2}{2m}t^2\right) = 1 + O(1/m^{1/2-\beta}).$$

We now split the Cauchy formula (73) into two parts, namely

$$L_m(u) = I_m(u) + E_m(u)$$

with  $I_m(u)$  being the part of the integration over  $\mathcal{A}_m(\theta)$  and  $E_m(u)$  the integration over  $\overline{\mathcal{A}}_m(\theta)$  for some  $w = me^{i\theta}$  belonging to the circle of integration and lying on the boundary of a convex cone  $\mathcal{C}(D, \delta)$ . More precisely, we set

$$I_m(u) = \frac{m!m^{-m}}{2\pi} \int_{-Dm^{\delta-1}}^{Dm^{\delta-1}} L(me^{i\theta}, u) e^{-im\theta} d\theta, \quad (75)$$

$$E_m(u) = \frac{m!m^{-m}}{2\pi} \int_{|\theta| \in [Dm^{\delta-1}, \pi]} L(me^{i\theta}, u) e^{-im\theta} d\theta. \quad (76)$$

We compute the above integrals separately.

We start with (76). From Theorem 15 we have

$$E_m(u) \leq m!m^{-m} \exp(\alpha(Dm^{\delta-1})m^{1+\mu(u)}).$$

Now, by Stirling's formula:  $m! = m^m e^{-m} \sqrt{2\pi m} (1 + O(1/m))$ , and after some algebra we obtain (setting  $\alpha(\theta) = 1 - \theta^2/4$  and  $1 + \mu(u) > \kappa(u)$ )

$$E_m(e^{t/\sqrt{m}}) = \exp\left(-0.25 \cdot D^2 m^{2\delta-1} + O(\sqrt{m} \log m)\right).$$

Thus, as  $m \rightarrow \infty$  we have  $E_m(e^{t/\sqrt{m}}) \rightarrow 0$  exponentially fast as long as  $\delta > 3/4$ . By Theorem 6,  $\tilde{X}(m)/\sqrt{m} = O(\sqrt{m} \log m)$  and  $(\tilde{V}(m) - m(\tilde{X}'(m))^2)/m = O(\log m)$ , so

$$\lim_{m \rightarrow \infty} E_m(e^{t/\sqrt{m}}) \exp\left(-t \frac{\tilde{X}(m)}{\sqrt{m}} - t^2 \frac{\tilde{V}(m) - m(\tilde{X}'(m))^2}{2m}\right) = O(e^{-m^\varepsilon})$$

for some  $\varepsilon > 0$  and  $\delta > 3/4$ .

Now, we turn our attention to the evaluation of  $I_m(u)$ . Let us examine the following expression

$$J_m(t) = \frac{m^m e^{-m} \sqrt{2\pi m}}{m!} I_m\left(e^{t/\sqrt{m}}\right) \exp\left(-t \frac{\tilde{X}(m)}{\sqrt{m}} - t^2 \frac{\tilde{V}(m)}{2m}\right).$$

After a change of variables (i.e.,  $\Theta = \theta/\sqrt{m}$ ) we obtain

$$J_m(t) = \frac{1}{\sqrt{2\pi}} \int_{-Dm^{\delta-1/2}}^{Dm^{\delta-1/2}} L(me^{i\theta/\sqrt{m}}, e^{t/\sqrt{m}}) \exp\left(-\frac{\tilde{X}(m)t}{\sqrt{m}} - \frac{\tilde{V}(m)t^2}{2m} - m(i\theta + 1)\right) d\theta.$$

We now assume that  $\delta > 1/2$ . Then, by Theorem 6 for any  $\beta > 0$  and some  $\mathcal{U}_u(1)$

$$\begin{aligned} \log(L(me^{i\theta}, e^t)) &= me^{i\theta} + \tilde{X}(me^{i\theta})t + \frac{\tilde{V}(me^{i\theta})}{2}t^2 + O(m^{1+\beta}t^3), \\ \tilde{X}(me^{i\theta}) &= \tilde{X}(m) + mi\theta\tilde{X}'(m) + O(\theta^2 m^{1+\beta}) \\ \tilde{V}(me^{i\theta}) &= \tilde{V}(m) + O(\theta m^{1+\beta}), \end{aligned}$$

and  $me^{i\theta} - m - mi\theta = -m\theta^2/2 + O(m\theta^3)$ . Thus,

$$\log(L(me^{i\theta}, e^t)) - \tilde{X}(m)t - \tilde{V}(m)\frac{t^2}{2} - m(i\theta + 1) = \tilde{X}'(m)mi\theta t - m\frac{\theta^2}{2} + O(m^{1+\beta}(|\theta| + |t|)^3) \quad (77)$$

which proves that

$$L(me^{i\theta/\sqrt{m}}, e^{t/\sqrt{m}}) \exp\left(-\frac{\tilde{X}(m)t}{\sqrt{m}} - \frac{\tilde{V}(m)t^2}{2m} - m(i\theta + 1)\right) - \exp\left(it\tilde{X}'(m)\theta - \frac{\theta^2}{2}\right) = O(1/m^{1/2-\beta})$$

provided  $m^{1+\beta}m^{-3/2} \rightarrow 0$ , that is,  $\beta < 1/2$ . Furthermore, since  $\Re(me^{i\theta} - m - mi\theta) \leq -m\theta^2/4$  it is easy to see that for any  $\varepsilon < 1/4$  uniformly in  $t$  on a compact set and  $m$  large, we have

$$\left| L(me^{i\theta/\sqrt{m}}, e^{t/\sqrt{m}}) \exp\left(-\frac{\tilde{X}(m)t}{\sqrt{m}} - \frac{\tilde{V}(m)t^2}{2m} - m(i\theta + 1)\right) \right| \leq \exp(\varepsilon + \varepsilon|\theta| - (0.25 - \varepsilon)\theta^2)$$

which, by the dominated convergence theorem, leads finally to

$$J_m(t) - \frac{1}{\sqrt{2\pi}} \int_{-\infty}^{+\infty} e^{it\tilde{X}'(m)\theta - \frac{\theta^2}{2}} d\theta = O(1/m^{1/2-\beta}).$$

To complete the proof of Theorem 9 it suffices to observe that the above integral is equal to  $\exp(-(\tilde{X}'(m))^2 t^2 / 2)$ . After multiplying the above by  $\exp(-(\tilde{X}'(m))^2 t^2 / 2)$  we obtain (50) of Theorem 9.

In passing, we note that in the course of these derivation we establish a relationship between the mean  $\tilde{X}(z)$  and the variance  $\tilde{V}(z)$  of the Poisson model and the mean  $EL_m$  and the variance  $\text{Var}(L_m)$  of the Bernoulli model. For example, a refinement of the above leads to (cf. Lemma 10)

$$\text{Var}(L_m) \sim \tilde{V}(m) - m(\tilde{X}'(m))^2 + 0.5m^2(\tilde{X}''(m))^2 .$$

Thus, after this long trip we completed the proof of Theorem 1A (and also Theorem 1B if one “borrows” the variance result from [10]). We note that the large deviation result (8) follows directly from our analysis and the Markov inequality. The proof is exactly along the lines of Flajolet and Soria [6], and the details are left to the interested reader.

#### APPENDIX: PROOF OF LEMMA 7A

We prove Lemma 7A. More generally, let

$$v(z) + v'(z) = v(zp) + v(zq) + g(z) \tag{78}$$

be a differential-functional equation of  $v(z)$  such that  $g(z) = O(\log^2 z)$  for  $|z| \rightarrow \infty$ . We prove that  $v(z) = O(z)$ .

The proof is by induction over the increasing domains  $\mathcal{D}_m$  as as defined in Fact 4. From Fact 1 we conclude that (78) has the following solution.

$$v(z) = v(\nu z)e^{-z(1-\nu)} + e^{-z} \int_{\nu z}^z e^x (v(px) + v(qx) + g(x)) dx .$$

Let now  $V_m$  be the upper bound on  $|v(z)x^{-1}|$  over the domain  $\mathcal{D}_m$  in the convex cone  $\mathcal{C}(D, \delta)$ , where  $z = x + iy$ . From the induction hypothesis one obtains the following recurrence

$$V_{m+1} \leq \max\{V_m, V'_m\}$$

where

$$V'_{m+1} \leq V'_m \left(1 + \nu e^{-\nu^{-m}(1-\nu)}\right) + \nu^m m^2 \log^2 \nu .$$

The above recurrence falls under the pattern discussed in Fact 3(iii), hence by the same arguments as in Section 3.2, we show that  $V_m$  are uniformly bounded. Lemma 7A is proved.

#### ACKNOWLEDGEMENT

It is a pleasure to acknowledge several enlighting discussions that the authors had with Philippe Flajolet, INRIA, on the topic of this paper. The authors also thank Philippe for his long standing support, generosity in sharing his knowledge. “Merci au bon docteur Flajolet!”

We also thank to D. Aldous, University of California, Berkeley, for pointing to us the renewal equation, and P. Kirschenhofer and W. Schachinger, Technischen Universität Wien, for discussions about the variance and the fluctuating function arising in Theorem 6.

## References

- [1] D. Aldous and P. Shields, A Diffusion Limit for a Class of Random-Growing Binary Trees, *Probab. Th. Rel. Fields*, 79, 509-542 (1988).
- [2] P. Billingsley, *Convergence of Probability Measures*, John Wiley & Sons, New York 1968.
- [3] T.M. Cover and J.A. Thomas, *Elements of Information Theory*, John Wiley&Sons, New York (1991).
- [4] P. Flajolet and R. Sedgewick, Digital Search Trees Revisited, *SIAM J. Computing*. 15, 748-767 (1986).
- [5] P. Flajolet and B. Richmond, Generalized Digital Trees and Their Difference-Differential Equations, *Random Structures & Algorithms*, 3, 305-320 (1992).
- [6] P. Flajolet and M. Soria, General Combinatorial Schemas: Gaussian Limit Distributions and Exponential Tails, *Discrete Mathematics*, 114, 159-180 (1993).
- [7] E. Gilbert and T. Kadota, The Lempel-Ziv Algorithm and Message Complexity, *IEEE Trans. Information Theory*, 38, 1839-1842 (1992).
- [8] P. Henrici, *Applied and Computational Complex Analysis*, John Wiley&Sons, New York 1977.
- [9] P. Jacquet, *Contribution de l'Analyse d'Algorithmes a l'Evaluation de Protocoles de Communication*, Thèse Université de Paris Sud-Orsay, 1989.
- [10] P. Kirschenhofer, H. Prodinger and W. Szpankowski, Digital Search Trees Again Revisited: The Internal Path Length Perspective, *SIAM J. Computing*, to appear.
- [11] D. Knuth, *The Art of Computer Programming. Sorting and Searching*, Addison-Wesley (1973).
- [12] A. Lempel and J. Ziv, On the Complexity of Finite Sequences, *IEEE Information Theory* 22, 1, 75-81 (1976).
- [13] G. Louchard, Exact and Asymptotic Distributions in Digital and Binary Search Trees, *RAIRO Theoretical Inform. Applications*, 21, 479-495 (1987).
- [14] G. Louchard and W. Szpankowski, Average Profile and Limiting Distribution for a Phrase Size in the Lempel-Ziv Parsing Algorithm, INRIA Rapport de Recherche, No. 1886 (1993) (submitted to *IEEE Trans. Information Theory*).
- [15] H. Mahmoud, *Evolution of Random Search Trees*, John Wiley & Sons, New York (1992).
- [16] E. Plotnik, M.J. Weinberger, and J. Ziv, Upper Bounds on the Probability of Sequences Emitted by Finite-State Sources and on the Redundancy of the Lempel-Ziv Algorithm, *IEEE Trans. Information Theory*, 38, 66-72 (1992).

- [17] B. Rais, P. Jacquet and W. Szpankowski, A Limiting Distribution for the Depth in PATRICIA Tries, *SIAM J. Discrete Mathematics*, 6, 197-213 (1993).
- [18] M. Regnier and P. Jacquet, New results on the Size of Tries, *IEEE Trans. Information Theory*, 35, 203-205 (1989).
- [19] W. Schachinger, *Beiträge zur Analyse von Datenstrukturen zur Digitalen Suche*, Dissertation Technischen Universität Wien, 1993
- [20] P. Shields, Universal Redundancy Rates Do Not Exist, *IEEE Information Theory*, 39, 520-524 (1993).
- [21] L. Sirovich, *Techniques of Asymptotic Analysis*, Springer-Verlag, New York 1971.
- [22] W. Szpankowski, A Characterization of Digital search Trees From the Successful Search Viewpoint, *Theoretical Computer Science*, 85, 117-134 (1991).
- [23] W. Szpankowski, A Generalized Suffix Tree and Its (Un)Expected Asymptotic Behaviors, *SIAM J. Computing*, 22, 1176-1198 (1993).
- [24] W. Szpankowski, Asymptotic Properties of Data Compression and Suffix Trees, *IEEE Trans. Information Theory*, 39 (1993).
- [25] J. Ziv and A. Lempel, A Universal Algorithm for Sequential Data Compression, *IEEE Trans. Information Theory*, 23, 3, 337-343 (1977).
- [26] J. Ziv and A. Lempel, Compression of Individual Sequences via Variable-rate Coding, *IEEE Trans. Information Theory*, 24, 530-536 (1978).



---

Unité de Recherche INRIA Rocquencourt  
Domaine de Voluceau - Rocquencourt - B.P. 105 - 78153 LE CHESNAY Cedex (France)

Unité de Recherche INRIA Lorraine Technopôle de Nancy-Brabois - Campus Scientifique  
615, rue du Jardin Botanique - B.P. 101 - 54602 VILLERS LES NANCY Cedex (France)  
Unité de Recherche INRIA Rennes IRISA, Campus Universitaire de Beaulieu 35042 RENNES Cedex (France)  
Unité de Recherche INRIA Rhône-Alpes 46, avenue Félix Viallet - 38031 GRENOBLE Cedex (France)  
Unité de Recherche INRIA Sophia Antipolis 2004, route des Lucioles - B.P. 93 - 06902 SOPHIA ANTIPOLIS Cedex (France)

---

EDITEUR  
INRIA - Domaine de Voluceau - Rocquencourt - B.P. 105 - 78153 LE CHESNAY Cedex (France)

ISSN 0249 - 6399



★ R R - 2 2 1 2 ★