



HAL
open science

Inertial line-of-sight stabilization using a 3-dof spherical parallel manipulator with coaxial input shafts

Alexandre Lê, Guillaume Rance, Fabrice Rouillier, Damien Chablat

► To cite this version:

Alexandre Lê, Guillaume Rance, Fabrice Rouillier, Damien Chablat. Inertial line-of-sight stabilization using a 3-dof spherical parallel manipulator with coaxial input shafts. OPTRO2024 - 11th International Symposium on Optronics in defence & security, Jan 2024, Bordeaux, France. hal-04483255

HAL Id: hal-04483255

<https://inria.hal.science/hal-04483255>

Submitted on 29 Feb 2024

HAL is a multi-disciplinary open access archive for the deposit and dissemination of scientific research documents, whether they are published or not. The documents may come from teaching and research institutions in France or abroad, or from public or private research centers.

L'archive ouverte pluridisciplinaire **HAL**, est destinée au dépôt et à la diffusion de documents scientifiques de niveau recherche, publiés ou non, émanant des établissements d'enseignement et de recherche français ou étrangers, des laboratoires publics ou privés.



Distributed under a Creative Commons Attribution 4.0 International License

INERTIAL LINE-OF-SIGHT STABILIZATION USING A 3-DOF SPHERICAL PARALLEL MANIPULATOR WITH COAXIAL INPUT SHAFTS

Alexandre LÉ^{(1),(2),(3)}, Guillaume RANCE⁽¹⁾, Fabrice ROUILLIER^{(2),(3)}, and Damien CHABLAT⁽⁴⁾

⁽¹⁾ Safran Electronics & Defense, 100 avenue de Paris, 91344 Massy CEDEX, Île-de-France, France (e-mail: {alexandre-thanh.le, guillaume.rance}@safrangroup.com).

⁽²⁾ Sorbonne Université, Université de Paris Cité, Institut de Mathématiques de Jussieu Paris Rive Gauche, 4 place Jussieu, 75252 Paris CEDEX 05, Île-de-France, France.

⁽³⁾ Inria Paris, 2 rue Simone Iff, 75012 Paris, Île-de-France, France (e-mail: {alexandre.le, fabrice.rouillier}@inria.fr).

⁽⁴⁾ Nantes Université, École Centrale Nantes, CNRS, LS2N, UMR 6004, F-44000, Nantes, France (e-mail: damien.chablat@cns.fr)

KEYWORDS: Spherical Parallel Robots, LOS stabilization, Sights, Speed Control.

ABSTRACT:

This article dives into the use of a 3-RRR Spherical Parallel Manipulator (SPM) for the purpose of inertial Line Of Sight (LOS) stabilization. Such a parallel robot provides three Degrees of Freedom (DOF) in orientation and is studied from the kinematic point of view. In particular, one guarantees that the singular loci (with the resulting numerical instabilities and inappropriate behavior of the mechanism) are far away from the prescribed workspace. Once the kinematics of the device is certified, a control strategy needs to be implemented in order to stabilize the LOS through the upper platform of the mechanism. Such a work is done with MATLAB Simulink[®] using a SimMechanics[™] model of our robot.

1. INTRODUCTION

1.1. Context of the study

A classical approach for Line Of Sight (LOS) stabilization involves the use of gimbal-based systems [Masten, 2008, Hilkert, 2008]. Such devices behave like *serial* robots and provide up to two Degrees of Freedom (DOF) in orientation. This article is focusing on LOS stabilization using a *parallel robot* that provides three DOF in orientation. Unlike their serial counterparts, parallel manipulators are closed-loop kinematic chains with at least two legs mostly actuated at their bases (the other joints are then passive). As a result, many parts of the robot are subject to traction/compression constraints so that it is possible to use less powerful actuators. They are also known for presenting very good performance in terms of dynamics, stiffness and accuracy. More general information about parallel robots can be

found in [Merlet, 2006]. Nowadays, the vast majority of commercial gyrostabilized sights uses gimbal systems for a LOS stabilization w.r.t. two rotational DOF: unlimited bearing, and elevation. Given all the before-mentioned advantages of parallel robots, the idea is to use a Spherical Parallel Manipulator (SPM) [Gosselin and Hamel, 1994] with coaxial input shafts (CoSPM) to inertially stabilize the LOS w.r.t. a third rotational DOF called bank. Such an upgrade improves the quality of LOS stabilization in the sense that the field of view is mechanically non-rotating around the LOS axis.

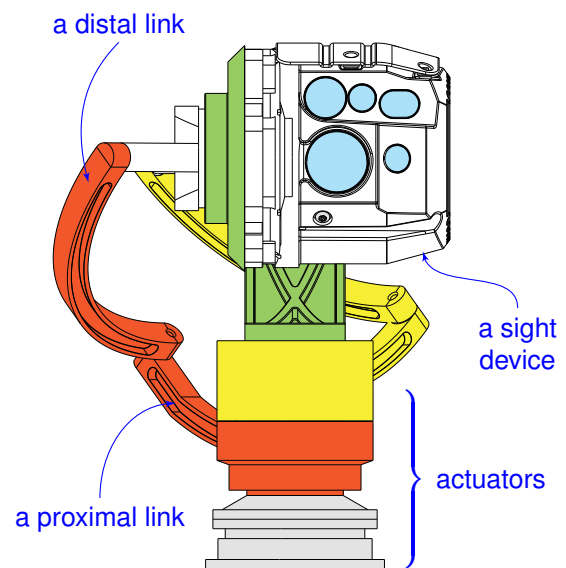


Figure 1. Illustration of the SPM with coaxial input shafts of interest

1.2. Presentation of the mechanism

The CoSPM of interest is depicted in Figure 1. It is a parallel robot with three kinematic chains (the first one in red, the second one in yellow and the third

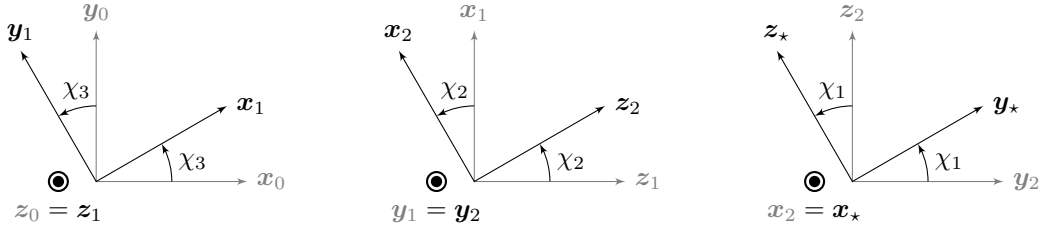


Figure 2. Rotation order using the Euler Tait-Bryan ZYX convention

one in green). Such a manipulator is *spherical* in the sense that the upper platform only makes pure spherical motions that are described in this article as a composition of three elementary rotations using the Euler Tait-Bryan ZYX convention as illustrated in Figure 2. Given that formalism, the device can at least make:

- unlimited bearing χ_3 (rotation around the z_0 -axis) thanks to its coaxial input shafts;
- an elevation angle χ_2 (rotation around the y_1 -axis) of 100° ;
- a bank angle χ_1 (rotation around the x_2 -axis) of $\pm 10^\circ$.

This subset of the workspace of interest is called *prescribed regular workspace* and will be denoted as \mathcal{W}^* in the sequel. The three before-mentioned DOFs in χ_1 , χ_2 and χ_3 are called *orientation* of the sight. It is worth stressing that such orientations are obtained through the angular motion of the three actuators located at the base of the SPM as shown in Figure 3 (the other joints being passive).

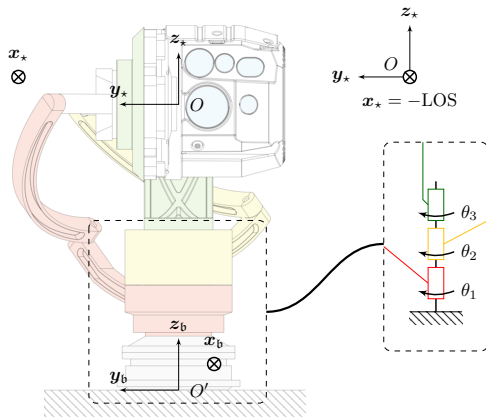


Figure 3. Tools for the description of the SPM

In the sequel, one can put the orientation angles into the vector $\chi \triangleq [\chi_1 \ \chi_2 \ \chi_3]^T$ whereas the three actuators can be described by the actuated joint vector $\theta \triangleq [\theta_1 \ \theta_2 \ \theta_3]^T$. Moreover, one introduces the basis that are useful for the definition of the design parameters of the mechanism:

- $\mathcal{B}_b \triangleq \{x_b, y_b, z_b\}$ related to the base of the robot;

- $\mathcal{B}_* \triangleq \{x_*, y_*, z_*\}$ related to the upper platform containing the sight device.

At home configuration, one obviously has $\mathcal{B}_b \equiv \mathcal{B}_*$. Furthermore, the axis $-x_*$ defines the LOS axis of the device given our conventions.

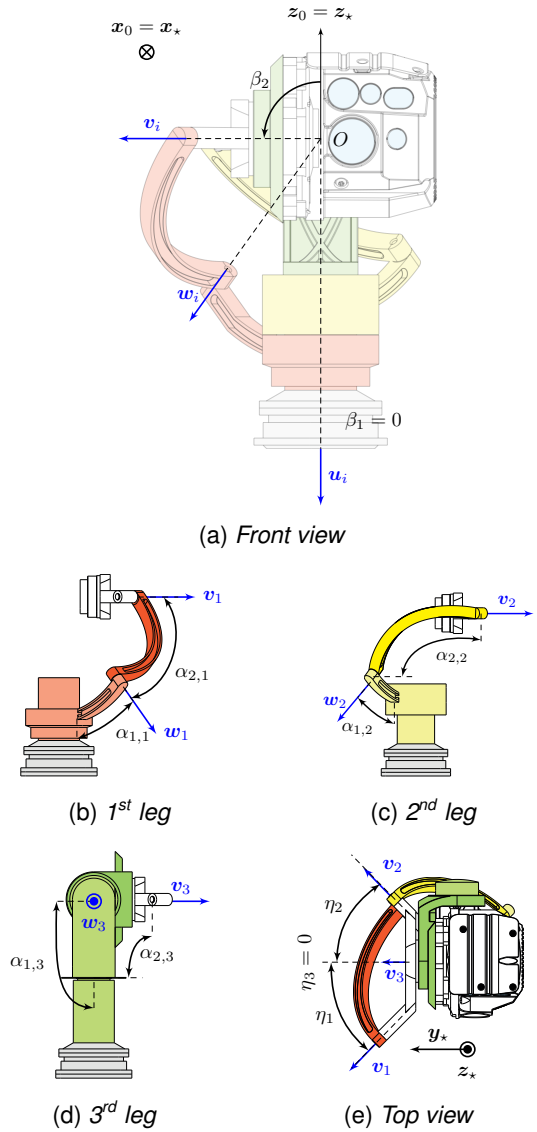


Figure 4. Details on the design parameters and the vectors of the SPM with coaxial input shafts

Figure 4 and Table 1 highlight the several design parameters of the robot. Each leg i (3 in total, see

Design parameter	Notation	Value (rad)	Definition
Proximal link $\alpha_{1,i}$ (i^{th} leg)	$\alpha_{1,1}$	$\pi/4$	$\angle(\mathbf{u}_1, \mathbf{w}_1)$
	$\alpha_{1,2}$	$\pi/4$	$\angle(\mathbf{u}_2, \mathbf{w}_2)$
	$\alpha_{1,3}$	$\pi/2$	$\angle(\mathbf{u}_3, \mathbf{w}_3)$
Distal link $\alpha_{2,i}$ (i^{th} leg)	$\alpha_{2,1}$	$\pi/2$	$\angle(\mathbf{w}_1, \mathbf{v}_1)$
	$\alpha_{2,2}$	$\pi/2$	$\angle(\mathbf{w}_2, \mathbf{v}_2)$
	$\alpha_{2,3}$	$\pi/2$	$\angle(\mathbf{w}_3, \mathbf{v}_3)$
Pivot linkage disposition η_i (i^{th} leg)	η_1	$\pi/4$	$\angle(\mathbf{y}_*, \mathbf{v}_1)$
	η_2	$-\pi/4$	$\angle(\mathbf{y}_*, \mathbf{v}_2)$
	η_3	0	$\angle(\mathbf{y}_*, \mathbf{v}_3)$
Inner platform's geometry	β_1	0	$\angle(\mathbf{u}_i, -\mathbf{z}_b)$
Upper platform's geometry	β_2	$\pi/2$	$\angle(\mathbf{z}_*, \mathbf{v}_i)$

Table 1. Design parameters of the SPM of interest

Fig. 4b–4d):

- is attached to the base through an actuated revolute joint of rotation axis \mathbf{u}_i ;
- has two bodies – a proximal link (lighter shade) of angle $\alpha_{1,i}$ and a distal link (darker shade) of angle $\alpha_{2,i}$ – that are connected through a passive revolute joint of rotation axis \mathbf{w}_i ;
- is then linked to the platform containing the sight device by the means of another passive revolute joint of rotation axis \mathbf{v}_i .

Note that this robot is *asymmetrical* in the sense that the proximal link can vary from one leg to another and that the pivot linkages of the upper platform are not regularly spaced (see Fig. 4e).

2. KINEMATIC ANALYSIS

2.1. Geometric model

Any SPM only makes spherical motions around its center of rotation O that is also the center of mass of the sight device in our case (see Fig. 4a). Using this kinematic property, one can describe its geometry as in [Lê et al., 2023] using vectors \mathbf{u}_i , \mathbf{w}_i and \mathbf{v}_i . As stressed in Figure 4, all these vectors are concurrent in O . The reader may refer to Appendix A or [Lê et al., 2023] detailing the expressions of these vectors. One can show that the *geometric model* of a general SPM is established using the following kinematic closure.

$$\mathbf{f}(\boldsymbol{\theta}, \boldsymbol{\chi}) \triangleq \begin{bmatrix} \mathbf{w}_1^\top(\theta_1) \mathbf{v}_1(\boldsymbol{\chi}) - \cos(\alpha_{2,1}) \\ \mathbf{w}_2^\top(\theta_2) \mathbf{v}_2(\boldsymbol{\chi}) - \cos(\alpha_{2,2}) \\ \mathbf{w}_3^\top(\theta_3) \mathbf{v}_3(\boldsymbol{\chi}) - \cos(\alpha_{2,3}) \end{bmatrix} \quad (1)$$

$$= \mathbf{0}_{3 \times 1}$$

Appendix A shows the detailed geometric model of the SPM of interest. Solving (1) at home configu-

ration, i.e. for $\boldsymbol{\chi} = \mathbf{0}$ yields $\boldsymbol{\theta} = \frac{\pi}{2} \mathbf{1}_{3 \times 1}$ given the leaf of solution of interest.

2.2. First order kinematic model

Differentiating (1) w.r.t. time provides the *first order kinematic model*, i.e.

$$\dot{\mathbf{f}}(\boldsymbol{\theta}, \boldsymbol{\chi}) = \mathbf{J}_1 \dot{\boldsymbol{\chi}} + \mathbf{J}_2 \dot{\boldsymbol{\theta}} = \mathbf{0}_{3 \times 1} \quad (2)$$

where $\dot{\boldsymbol{\chi}}$ denotes the vector of the *angular rates* and $\dot{\boldsymbol{\theta}}$ the vector of the *joint velocities*. From this expression, one can deduce the first order *Forward* (3a) and *Inverse* (3b) kinematic models:

$$\dot{\boldsymbol{\chi}} = -\mathbf{J}_1^{-1} \mathbf{J}_2 \dot{\boldsymbol{\theta}} = \mathbf{J} \dot{\boldsymbol{\theta}} \quad (3a)$$

$$\dot{\boldsymbol{\theta}} = -\mathbf{J}_2^{-1} \mathbf{J}_1 \dot{\boldsymbol{\chi}} = \mathbf{J}^{-1} \dot{\boldsymbol{\chi}} \quad (3b)$$

with $\mathbf{J} = -\mathbf{J}_1^{-1} \mathbf{J}_2$ being the *Jacobian* matrix of the SPM and $\mathbf{J}^{-1} = -\mathbf{J}_2^{-1} \mathbf{J}_1$ its inverse, both defined through $\mathbf{J}_1 \triangleq \partial \mathbf{f} / \partial \boldsymbol{\chi}$ and $\mathbf{J}_2 \triangleq \partial \mathbf{f} / \partial \boldsymbol{\theta}$. However, the speed control used for the LOS stabilization requires to express this kinematic model in function of the *velocity* of the sight device. Such a value is expressed w.r.t. the base in the LOS frame \mathcal{F}_* and will be denoted in the sequel as ${}^* \boldsymbol{\Omega}_{*/b}$. One obtains the latter through the following mapping

$${}^* \boldsymbol{\Omega}_{*/b} = \mathbf{T}(\boldsymbol{\chi}) \dot{\boldsymbol{\chi}} \quad (4)$$

where

$$\mathbf{T}(\boldsymbol{\chi}) = \begin{bmatrix} 1 & 0 & -\sin(\chi_2) \\ 0 & \cos(\chi_1) & \sin(\chi_1) \cos(\chi_2) \\ 0 & -\sin(\chi_1) & \cos(\chi_1) \cos(\chi_2) \end{bmatrix} \quad (5)$$

Remark 1. It is worth stressing that \mathbf{T} becomes *singular* if $\chi_2 = \pm \pi/2$.

For $\chi_2 \neq \pm \pi/2$, the angular velocity vector ${}^* \boldsymbol{\Omega}_{*/b}$

is thus linked to the joint velocities $\dot{\theta}$ by

$${}^*\Omega_{*/b} = T J \dot{\theta} \quad (6)$$

Such a relationship will be later used in the speed loop control of the SPM.

2.3. Coaxiality of the input shafts

The next proposition states an important kinematic property of all coaxial SPMs (CoSPM).

Proposition 1. *For any 3-DOF 3-RRR CoSPM, each actuated joint θ_i ($i \in \llbracket 1, 3 \rrbracket$) making the same displacement $-\epsilon$ generates a pure bearing motion ϵ .*

Proof. Computing the *general* geometric model (1) of 3-DOF 3-RRR SPMs with $\theta'_i := \theta_i + \epsilon$, $i \in \llbracket 1, 3 \rrbracket$ yields

$$f(\theta_1 + \epsilon, \theta_2 + \epsilon, \theta_3 + \epsilon, \chi_1, \chi_2, \chi_3) = \mathbf{0}_{3 \times 1}$$

By expanding all the terms in $\cos(\theta_i + \epsilon)$ and $\sin(\theta_i + \epsilon)$ using the classical trigonometric identities while considering coaxiality ($\beta_1 = 0$), one can show that the expanded expressions are factorizable by $\cos(\chi_3 + \epsilon)$ or $\sin(\chi_3 + \epsilon)$, leading to

$$f(\theta_1 + \epsilon, \theta_2 + \epsilon, \theta_3 + \epsilon, \chi) = f(\theta, \chi_1, \chi_2, \chi_3 + \epsilon) \quad (7)$$

These factorizations cannot be achieved if $\beta_1 \neq 0$, *i.e.* if the mechanism is not coaxial. Equation (7) clearly shows that an ϵ -displacement in bearing χ_3 requires to move all the actuators θ_i by a quantity $-\epsilon$. The sign “ $-$ ” appears because the motion of the i^{th} actuator is described by an angle θ_i defined with the counterclockwise direction w.r.t. ${}^b u_i$ (and thus, with the clockwise direction w.r.t. z_b). \square

This leads to the following statement.

Lemma 1. *Any 3-DOF 3-RRR SPM with coaxial input shafts is geometrically invariant w.r.t. bearing χ_3 .*

One will take advantage of such a consideration for the singularity analysis of the mechanism.

2.4. Singularity analysis

2.4.1. Issues & strategies

Singularity loci are problematical configurations in which the robot does not behave properly, namely in terms of DOF. The main reasons are a loss of at least one controllable DOF (Type-1 singularity) or the gain of at least one uncontrollable DOF (Type-2 singularity). From the first order kinematic model viewpoint, Type-1 singularity occurs when $J_2(\theta, \chi)$ is no longer invertible whereas Type-2 singularity occurs when $J_1(\theta, \chi)$ becomes singular. As a result, numerical instabilities may arise in the neighborhood of such areas jeopardizing the integrity of the

device. The aim of this subsection is to study these singularities in the work- and joint spaces of interest. In particular, one ensures that both spaces are singularity-free in a certified manner for our mechanism, since singularity loci are intrinsically subject to the design parameters of the system. Such a work is crucial to prevent any unstable and undesirable behavior of the robot. In our very case, such a study can be simplified by:

- taking into account Lem. 1, *i.e.* the invariance of the SPM’s geometry and thus its singularities w.r.t. bearing χ_3 ;
- turning the non-linear system $f(\theta, \chi)$ into a polynomial one $F(\Theta, X)$.

It has been shown in [Lê et al., 2023] that the polynomial system $F(\Theta, X)$ of any SPM can be written as

$$F(\Theta, X) \triangleq \begin{bmatrix} a_1(X) \Theta_1^2 + b_1(X) \Theta_1 + c_1(X) \\ a_2(X) \Theta_2^2 + b_2(X) \Theta_2 + c_2(X) \\ a_3(X) \Theta_3^2 + b_3(X) \Theta_3 + c_3(X) \end{bmatrix} = \mathbf{0}_{3 \times 1} \quad (8)$$

where the vectors $X \triangleq [X_1 \ X_2 \ X_3]^T$ and $\Theta \triangleq [\Theta_1 \ \Theta_2 \ \Theta_3]^T$ are defined by

$$X_i \triangleq \tan\left(\frac{\chi_i}{2}\right), \quad \Theta_i \triangleq \tan\left(\frac{\theta_i}{2}\right), \quad \forall i \in \llbracket 1, 3 \rrbracket \quad (9)$$

The coefficients $a_i(X)$, $b_i(X)$, and $c_i(X)$ are not shown in this article but can be easily computed.

Remark 2. *The reader may notice that each polynomial $F_i(\Theta_i, X)$ of (8) is quadratic w.r.t. Θ_i , $i \in \llbracket 1, 3 \rrbracket$. Using such a formalism is particularly suitable for the computation of the inverse geometric model, *i.e.* finding the joint vector θ from a given orientation vector χ .*

2.4.2. Type-1 singularities

As in [Lê et al., 2023], finding Type-1 singularity loci of any 3-DOF 3-RRR SPM can be done by computing the *critical points* belonging to the *discriminant variety* [Lazard and Rouillier, 2007] of the inverse geometric model in its polynomial form, *i.e.* $\mathcal{W}_c(X) = \text{discrim}(F, X)$. One sets X_3 (or χ_3) at an arbitrary real value (*e.g.* 0). Figure 5 shows the Type-1 singularity loci of the mechanism of interest in the (χ_1, χ_2) -plane and the prescribed workspace \mathcal{W}^* defined earlier in Section 1.2.

Physically speaking, Type-1 singularities are configurations where at least one leg of the SPM is folded or unfolded. Such a phenomenon never occurs in the prescribed workspace as \mathcal{W}^* never meets $\mathcal{W}_c(X)$.

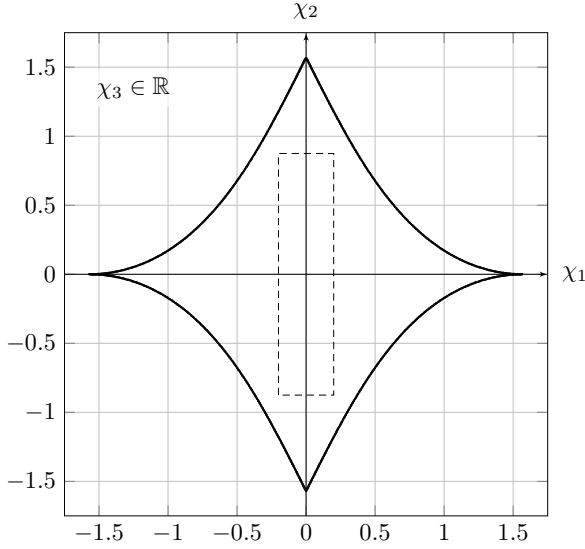


Figure 5. Prescribed workspace \mathcal{W}^* (dashed) and Type-1 Singularity loci (solid) of the mechanism of interest in the (χ_1, χ_2) -plane

2.4.3. Type-2 singularities

According to [Merlet, 2006], Type-2 singularities can be investigated with a similar problem called the *path tracking* in orientation using the Kantorovich unicity operator [Kantorovich, 1948]. Given the system $F(\Theta, X)$, the goal is to ensure the uniqueness of the (orientation) solution X for the forward geometric model in a certain neighborhood of a known estimate X_0 , given a displacement in the (joint) parameter space Θ and a certain computational precision. More precisely, the test guarantees that a classical Newton scheme will quadratically converge towards the desired solution with the initial known estimate. This strategy can be done iteratively by scanning \mathcal{Q}^* being the image of the prescribed workspace \mathcal{W}^* through the inverse geometric model. In our case, the path tracking in orientation was implemented using multiple-precision interval arithmetic [Rouillier, 2007], taking into account all the possible uncertainties of the system, especially those on the design parameters of the SPM. A valid Kantorovich test for all values of \mathcal{Q}^* means that the mechanism of interest is guaranteed to be far away from any numerical instabilities (including Type-2 singularities). Such a property is verified for this mechanism in its prescribed workspace. Hence, Type-2 singularities never occur in \mathcal{W}^* .

3. CONTROL LAW FOR THE LOS STABILIZATION

3.1. Principles & Requirements

As illustrated in Figure 6, the aim of inertial LOS stabilization is to maintain the direction of the LOS

w.r.t. the inertial frame $\mathcal{F}_i \triangleq (O, x_i, y_i, z_i)$, despite disturbances. In our case study, one only focuses on the maritime environment where external disturbances are mostly waves. The latter make the carrier (and thus the base of the sight device) move w.r.t. the inertial frame \mathcal{F}_i . In order to stabilize the LOS, the sight device needs to counteract the disturbances and therefore move w.r.t. the carrier frame \mathcal{F}_b where its base is attached, so that $\mathcal{F}_* \equiv \mathcal{F}_i$.

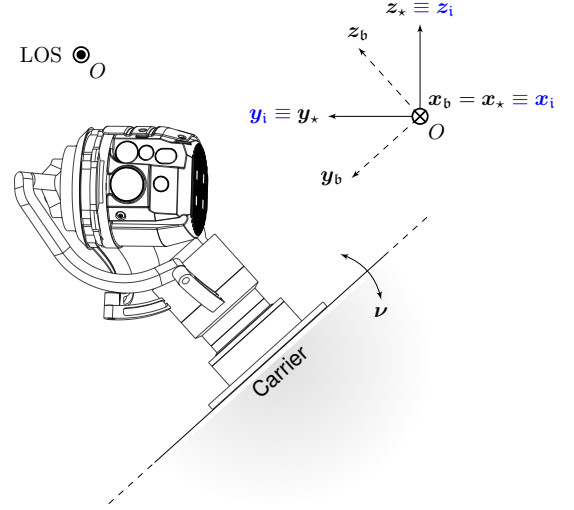


Figure 6. Principle of inertial LOS stabilization (here w.r.t. bank)

As our spherical parallel robot only provides rotational DOFs, the disturbance rejection is possible w.r.t. the following angular motions:

- roll ν_1 (angular disturbance w.r.t. x -axis);
- pitch ν_2 (angular disturbance w.r.t. y -axis);
- yaw ν_3 (angular disturbance w.r.t. z -axis).

In the sequel, these angular disturbances are put into the vector $\nu \triangleq [\nu_1 \ \nu_2 \ \nu_3]^T$.

An appropriate way to evaluate the performance of the LOS stabilization is the consideration of the *stabilization residual* vector ε . The latter is defined as the difference between the desired position of the sight and its actual value. Thus, its components ε_i should be as low as possible. A reasonable order of magnitude of ε_i should not exceed 10^{-4} rad. There are several strategies for LOS stabilization. In this article, we chose to implement a speed control loop.

3.2. Speed control architecture

Given Subsection 3.1, using a speed control loop for LOS stabilization leads to set:

- $\bar{\Omega}_{*/i}$, the angular velocity of the sight w.r.t. \mathcal{F}_i as the reference signal;
- $\Omega_{b/i}$, the angular velocity of the carrier w.r.t. \mathcal{F}_i as the external (non-measurable) disturbance signal.

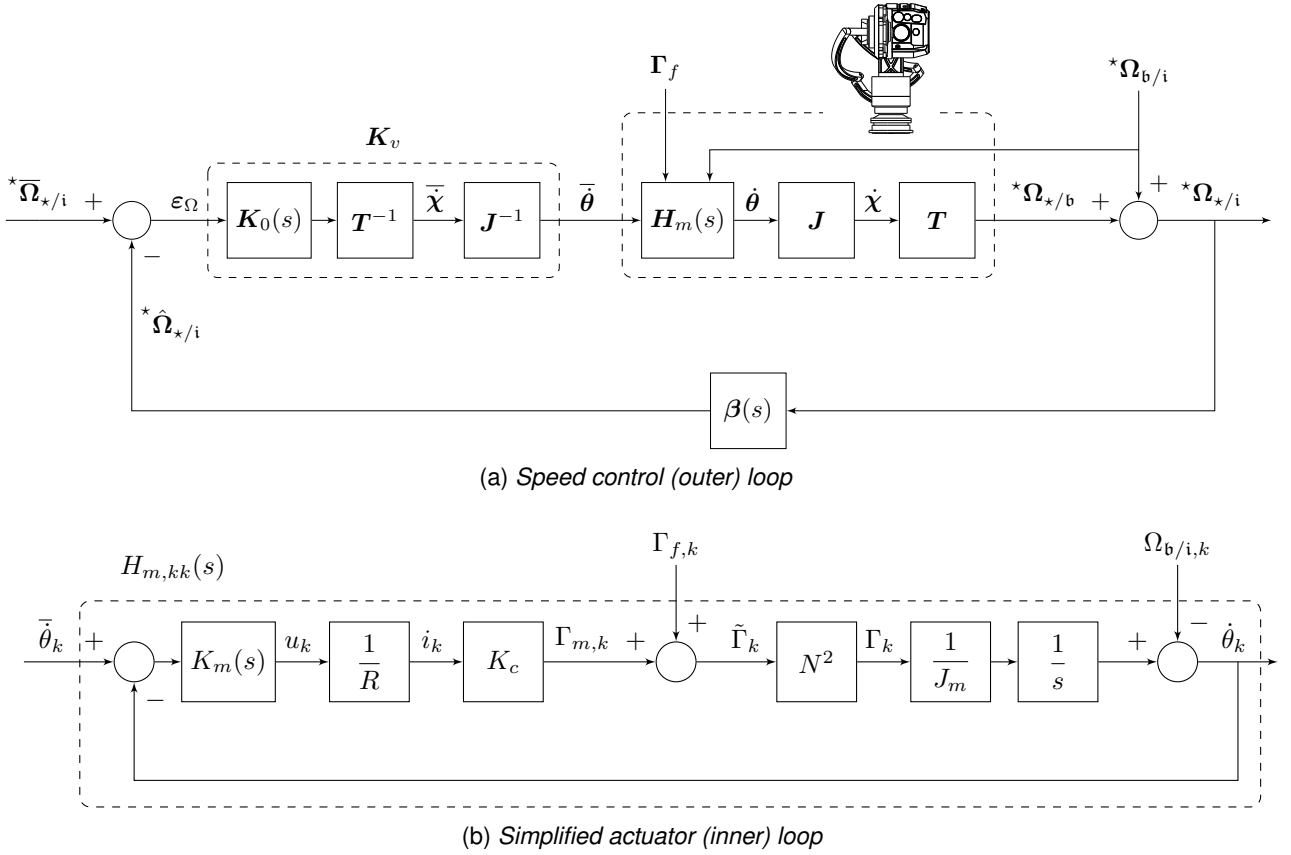


Figure 7. Block diagrams considered for the inertial LOS stabilization

Both values will be expressed in the LOS frame \mathcal{F}_* . It can then be shown that

$$\begin{aligned} {}^*\Omega_{b/i} &= \mathbf{R}_z(\chi_3)\mathbf{R}_y(\chi_2)\mathbf{R}_x(\chi_1) {}^b\Omega_{b/i} \\ &= \mathbf{R}_z(\chi_3)\mathbf{R}_y(\chi_2)\mathbf{R}_x(\chi_1)\mathbf{T}'(\boldsymbol{\nu})\dot{\boldsymbol{\nu}} \end{aligned} \quad (10)$$

where $\dot{\boldsymbol{\nu}} \triangleq [\dot{\nu}_1 \ \dot{\nu}_2 \ \dot{\nu}_3]^\top$ denotes the angular disturbances rate vector and

$$\mathbf{T}'(\boldsymbol{\nu}) = \begin{bmatrix} 1 & 0 & -\sin(\nu_2) \\ 0 & \cos(\nu_1) & \sin(\nu_1)\cos(\nu_2) \\ 0 & -\sin(\nu_1) & \cos(\nu_1)\cos(\nu_2) \end{bmatrix} \quad (11)$$

which is singular iff $\nu_2 = \pm \pi/2$.

3.2.1. Description

Figure 7a shows the block diagram of the speed control for the LOS stabilization. This control loop can be divided into three parts:

- the system itself (also called *plant*) which is modelled by its actuators $\mathbf{H}_m(s)$ generating the motions $\dot{\chi}$ through $\dot{\theta}$ and its kinematic Jacobian \mathbf{J} ;
- the *sensor* $\beta(s)$ which is an Inertial Measurement Unit (IMU) and whose goal is to measure ${}^*\Omega_{*/i}$;
- the *controller* part \mathbf{K}_v .

As the Jacobian matrices are defined through θ and χ , one has at disposal a sensor measuring the current joint values $\hat{\theta}$. The orientation vector χ is then estimated through a Newton scheme solving $\hat{\chi} = f(\hat{\theta})$ which does not bring instability given the analysis done in Subsection 2.4.3.

The inertial angular velocity ${}^*\bar{\Omega}_{*/i}$ is given as the input reference signal. Its actual value is being estimated. The resulting velocity error estimation ε_Ω defined by

$$\varepsilon_\Omega \triangleq {}^*\bar{\Omega}_{*/i} - {}^*\hat{\Omega}_{*/i} \quad (12)$$

is then given to the controller that computes the appropriate command $\bar{\theta}$ to the plant for the LOS stabilization despite the LOS disturbances ${}^*\Omega_{b/i}$. Each residual error signal ε_i , $i \in \llbracket 1, 3 \rrbracket$ can then be defined by

$$\varepsilon_i = \int_{t_0=0}^t \varepsilon_{\Omega,i}(\tau) d\tau \quad (13)$$

In the sequel, one considers the three identical actuators having a large reduction ratio N . As a result, the dynamics of the overall system can be considered as *decoupled*. Moreover, the diagonal transfer function matrix $\mathbf{H}_m(s)$ must be regarded as a closed-loop transmittance matrix of the three actuators. The detailed block diagram of the k^{th} diagonal component of this matrix is represented in Figure

7b. Such a model takes into account:

- the *electric resistance* R [Ω];
- the *moment of inertia of the rotor* J_m [$\text{kg} \cdot \text{m}^2$];
- the *electromotive force constant* K_c [Nm/A];
- the *friction torque* $\Gamma_{f,k}$ [Nm] applied to the k^{th} actuator.

It is simplified in the sense that the electric inductance L is neglected and the friction f of the mechanical part is treated as an external step disturbance torque $\Gamma_f \triangleq [\Gamma_{f,1} \ \Gamma_{f,2} \ \Gamma_{f,3}]^T$.

In fact, each of its components $\Gamma_{f,k}$ acts as a *Coulomb friction* torque defined as

$$\Gamma_{f,k} \triangleq f_k \text{sgn}(\dot{\theta}_k) \quad (14)$$

with f_k being the friction coefficient applied to the k^{th} actuator.

Moreover, each actuator is controlled using a proportional controller $K_m(s) = K_m$ with a unitary feedback loop (assumed ideal). Under all these assumptions, $\mathbf{H}_m(s) = \text{diag}(H_{m,11}, H_{m,22}, H_{m,33})$ can be viewed as a diagonal matrix of first order transfer functions

$$\mathbf{H}_m(s) = \frac{1}{1 + \tau_m s} \mathbf{I}_3 \quad (15)$$

with $\tau_m = RJ_m/(N^2K_mK_c)$ being the *time constant* of the actuators. In the sequel, one sets its value at $\tau_m = 1.6 \times 10^{-3}$ s. Note that the disturbance torque Γ_f can be treated as a step input disturbance by being brought at the upstream of $\mathbf{H}_m(s)$.

Furthermore, the sensor is modelled by a diagonal transfer matrix composed of pure delays T_e

$$\beta(s) = e^{-T_e s} \mathbf{I}_3 \quad (16)$$

where T_e denotes the sampling period of the control loop. In our case $T_e = 10^{-3}$ s. Finally, the determination of K_v will be discussed in the next subsections.

3.2.2. Synthesis of the controller

As shown in Figure 7a, the controller K_v is defined by

$$\mathbf{K}_v = \mathbf{J}^{-1} \mathbf{T}^{-1} \mathbf{K}_0(s) \quad (17)$$

where:

- \mathbf{J}^{-1} is the inverse kinematic Jacobian matrix;
- \mathbf{T}^{-1} translating the Tait-Bryan angular rates $\dot{\chi}$ into the velocity vector ${}^* \Omega_{*/b}$ through (4);
- $\mathbf{K}_0(s)$ the linear part of the controller.

Recall that the overall system is considered as decoupled. It can then be viewed as three independent and identical speed loops in ${}^* \dot{\Omega}_{*/i,j}$, $j \in \llbracket 1, 3 \rrbracket$. As a result, the linear controller matrix $\mathbf{K}_0(s)$ is diagonal

such that $\mathbf{K}_0(s) = K_0(s) \mathbf{I}_3$. In the sequel, $K_0(s)$ is defined as follows:

$$K_0(s) = \frac{\overline{K}_0 (s^2 + b_1 s + b_2) \prod_{i=1}^3 (s + a_i)}{s^2 \prod_{i=1}^2 (s^2 + c_i s + d_i)} \quad (18)$$

with $\overline{K}_0 = 25884$, $a_1 = 4644$, $a_2 = 628.3$, $a_3 = 52.97$, $b_1 = 7356$, $b_2 = 2.584 \times 10^7$, $c_1 = 3.39 \times 10^4$, $d_1 = 2.943 \times 10^8$, $c_2 = 2899$, and $d_2 = 2.169 \times 10^7$.

The open loop of each speed component ${}^* \dot{\Omega}_{*/i,j}$, $j \in \llbracket 1, 3 \rrbracket$ is then defined by $K_0(s) H_m(s) \beta_{jj}(s)$. Figure 8 shows its Black-Nichols chart. The system has a phase margin of $\Delta\varphi = 60^\circ$ and a gain margin of $\Delta G = 14.2$ dB. Such a controller will be discretized using the zero order hold method given T_e .

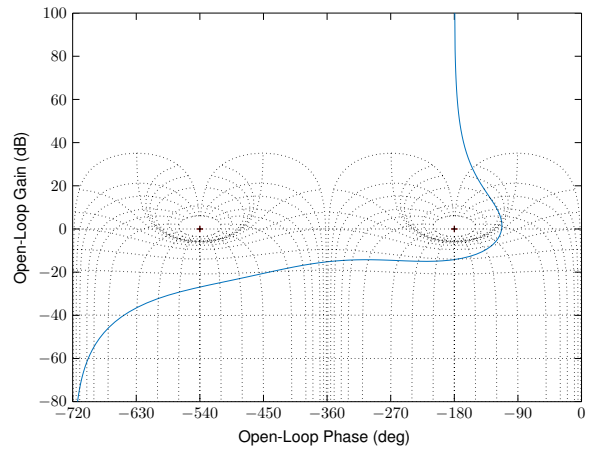


Figure 8. Black-Nichols chart of the open-loop

Finally, the transfer between the speed error and the output disturbance for each loop j denoted in the sequel as $D_j(s)$ is given by

$$D_j(s) \triangleq \frac{\varepsilon_{\Omega,j}(s)}{{}^* \Omega_{b/i,j}(s)} = \frac{\beta_{jj}(s)}{1 + K_0(s) H_m(s) \beta_{jj}(s)} \quad (19)$$

Figure 9 displays the Bode diagram of $D_j(s)$.

3.3. Simulations

The following simulations are made using MATLAB 2023b with Simulink[®].

3.3.1. Inertial LOS stabilization

In this subsection, the goal is to maintain the LOS at its home configuration despite the motion of the carrier subject to waves. For this purpose, the reference signal is defined by ${}^* \overline{\Omega}_{*/i} = \mathbf{0}$. One assumes that the angular disturbances are expressed through

$$\forall i \in \llbracket 1, 3 \rrbracket, \quad \nu_i(t) = \overline{\nu}_i \cos(2\pi f_i t) \quad (20)$$

We set the following parameters as follows:

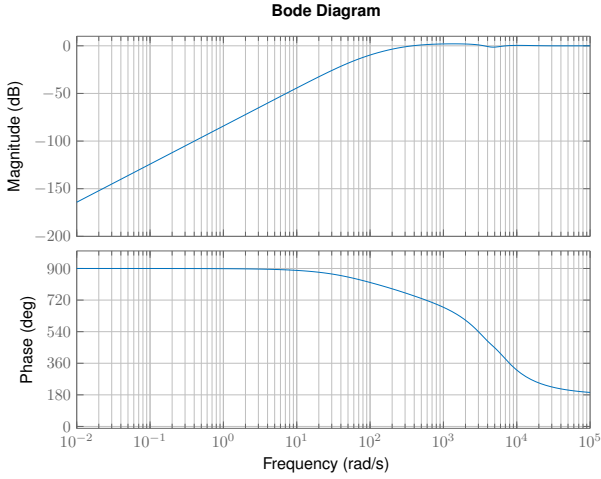


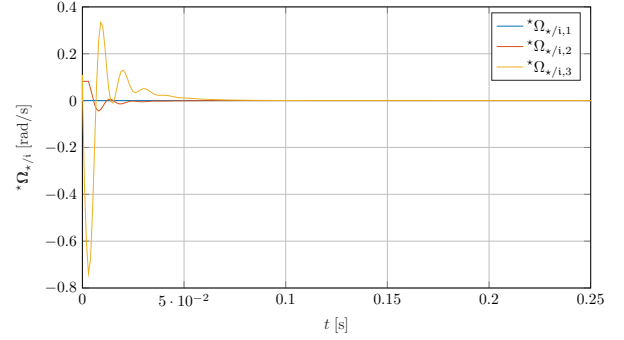
Figure 9. Bode diagram of $D_j(s)$

- $\bar{\nu}_1 = \bar{\nu}_2 = 10^\circ$ and $\bar{\nu}_3 = 0$;
- $f_1 = 0.1$ Hz and $f_2 = 0.075$ Hz;
- input disturbance treated as a step of magnitude 1.

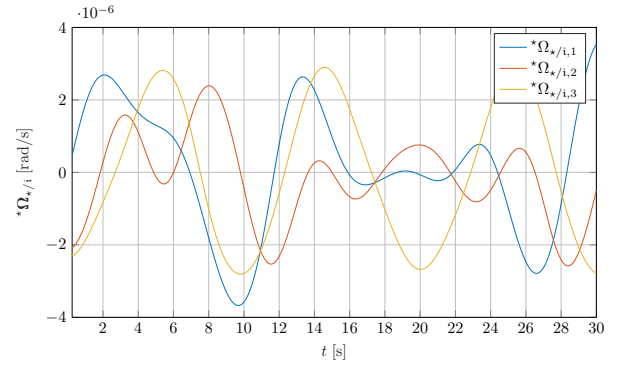
The non-measurable external disturbance velocity ${}^*\Omega_{b/i}$ can be deduced from (10), (11) and the orientation vector χ of the platform. The parallel robot is initially set in its home configuration, *i.e.* $\chi = 0$ and $\theta = \frac{\pi}{2} \mathbf{1}_{3 \times 1}$. Given these conditions, a simulation spanning 30 seconds gives the following results:

- Figure 10 shows the time response of ${}^*\Omega_{*/i}$ being the angular velocity of the sight in the transient (Fig. 10a) and steady (Fig. 10b) states.
- Figure 11 plots the stabilization residual error ϵ of the sight device in the transient (Fig. 11a) and steady (Fig. 11b) states.
- Figure 12 depicts the joint values $\dot{\theta}$ used as the input signal vector of the robot modelled by its Jacobian J (Fig. 12a) and steady (Fig. 12b) states.
- Figure 13 depicts the joint values θ used to counteract the disturbances and maintain the LOS.

On the one hand, one can see from Fig. 10 and 11 that the input disturbance torque is entirely rejected from the beginning of the simulation. This results also make sense regarding the Bode diagram of $D_j(s)$ (Figure 9). For instance, one focuses on the first speed component ${}^*\Omega_{*/i,1}$ (blue curve of Fig. 10). According to the Bode diagram of $D_j(s)$ at $\omega_1 = 2\pi f_1 \simeq 0.62$ rad/s, one has $|D_1(i\omega_1)| \simeq -90$ dB. This means that a unitary sine disturbance input ${}^*\Omega_{b/i,1}$ with the same frequency ω_1 will be attenuated by a factor 10^5 . Given the magnitude of ${}^*\Omega_{b/i}$, this speed error in the steady state has an order of magnitude of 10^{-6} , as confirmed by Fig. 10b. Moreover, the magnitude of the residual stabilization error does not exceed $6 \mu\text{rad}$. Such results are in

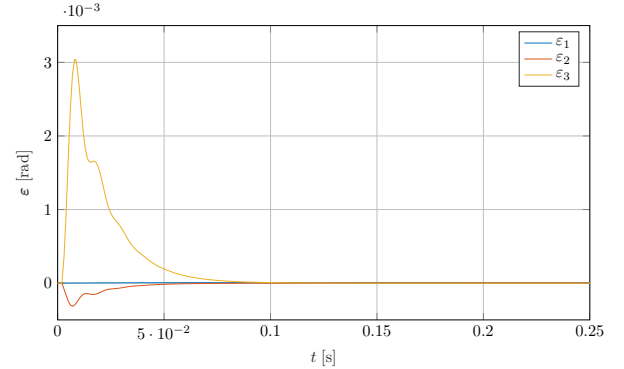


(a) Transient state

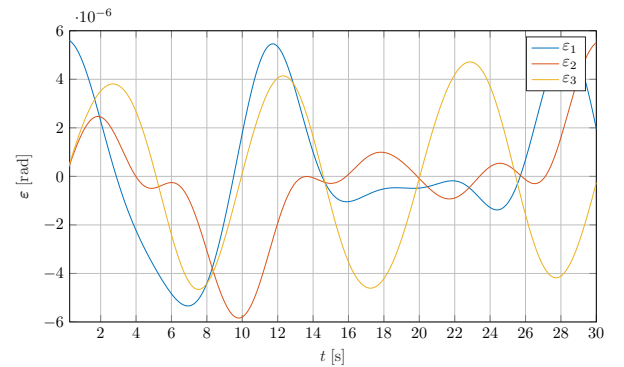


(b) Steady state

Figure 10. Inertial velocity ${}^*\Omega_{*/i}$ of the sight device

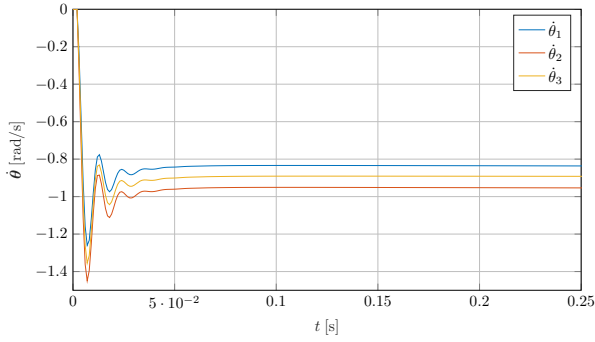


(a) Transient state

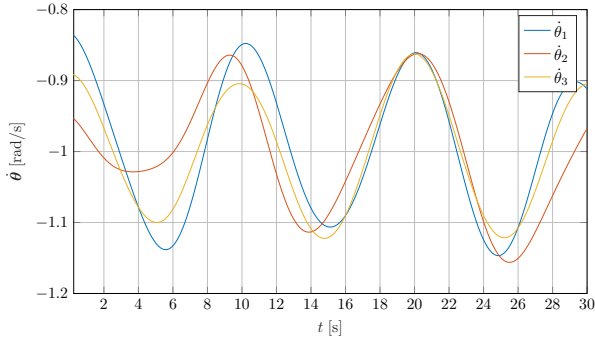


(b) Steady state

Figure 11. Stabilization residual error ϵ



(a) Transient state



(b) Steady state

Figure 12. Joint velocities

accordance with the requirements explained in Sub-section 3.1.

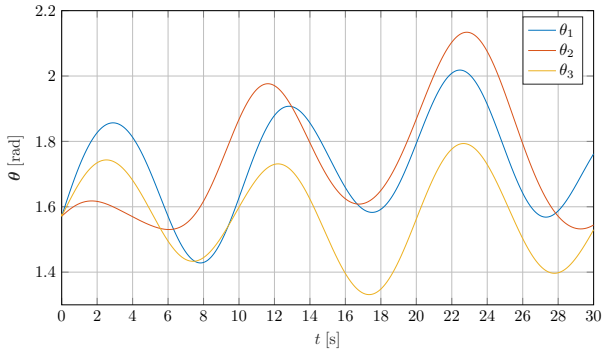


Figure 13. Associated joint values

On the other hand, the motion of the actuators required to fulfill the inertial LOS stabilization is reasonable in the sense that the joint velocities (Figure 12) do not have excessive values.

3.3.2. Implementation using a digital model

In this last simulation, we implemented a digital model of the spherical parallel robot and its speed control in a MATLAB Simulink® environment (here 2022a). The latter is interfaced with the CATIA files of the mechanism via SimMechanics™. Figure 14

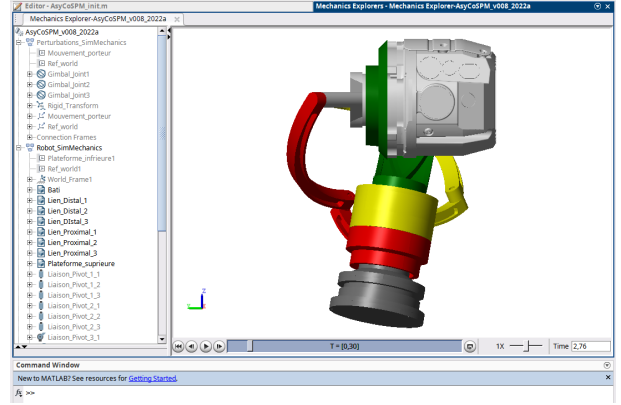
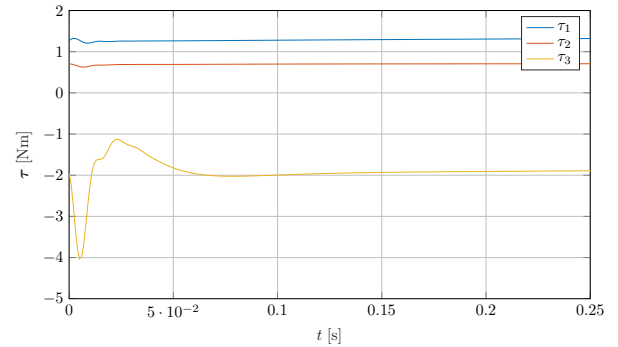


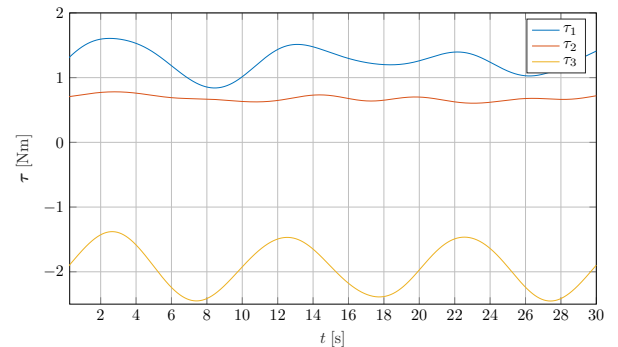
Figure 14. Digital model of the SPM

shows the screenshot of the before-mentioned digital model.

Such a model allows us to have an overview of the dynamics of the robot. It is in this regard complementary to the kinematic study of the mechanism discussed in this article. For instance, one can evaluate the torque $\tau \triangleq [\tau_1 \ \tau_2 \ \tau_3]^T$ required to move the several actuators, as shown in Figure 15, where τ_i denotes the torque applied to the i^{th} actuator.



(a) Transient state



(b) Steady state

Figure 15. Motor torque of the SPM

These curves show that the engine torques required to stabilize the LOS are reasonable: one obtains torques in absolute values that do not exceed

4Nm in the transient state and 2.5Nm in steady state.

4. CONCLUSION & OUTLOOK

This paper discussed on the use of a 3-DOF Spherical Parallel Manipulator with coaxial shafts that embeds a sight device for the inertial LOS stabilization. Having at disposal its kinematic model, it has been shown that a speed control loop achieves the disturbance rejection taking into account the motion of the carrier as well as the friction torque undergone by the actuators. Such results are also verified with the SimMechanics™ digital model of our robot simulating its dynamics.

Although the kinematics of the robot is certified for our regular workspace, the control strategy is not. Indeed, the inertial speed reference can in fact make the mechanism leave the safe region without knowing it. In this case, one cannot guaranty the good behavior of the device and its control. By the same logic, the current control loop does not take into account uncertainties on the system that can bring instability in the worst case. In this regard, further works will focus on the robustness of the system and a management of the joint stops to avoid the robot leaving the safe regions. Such aspects will bring the certification to the speed control.

As the article mainly focused on the kinematics of the robot, an interesting outlook could be diving into the dynamic model of the latter.

ACKNOWLEDGMENT

The authors of this article want to thank Arnaud QUADRAT for his careful review and relevant suggestions.

REFERENCES

- [Bai et al., 2009] Bai, S., Hansen, M. R., and Angeles, J. (2009). A robust forward-displacement analysis of spherical parallel robots. *Mechanism and Machine Theory*, 44:2204–2216. (Citation on page 10)
- [Gosselin and Hamel, 1994] Gosselin, C. and Hamel, J.-F. (1994). The agile eye: a high-performance three-degree-of-freedom camera-orienting device. In *Proceedings of the 1994 IEEE International Conference on Robotics and Automation*, pages 781–786 vol.1. (Citation on page 1)
- [Hilkert, 2008] Hilkert, J. (2008). Inertially stabilized platform technology concepts and princi-

ples. *IEEE Control Systems Magazine*, 28(1):26–46. (Citation on page 1)

- [Kantorovich, 1948] Kantorovich, L. V. (1948). On Newton's method for functional equations. *Functional Analysis and Applied Mathematics*, 59(7):1237–1240. (Citation on page 5)
- [Lazard and Rouillier, 2007] Lazard, D. and Rouillier, F. (2007). Solving parametric polynomial systems. *Journal of Symbolic Computation*, 42(6):636–667. (Citation on page 4)
- [Lê et al., 2023] Lê, A., Rouillier, F., Rance, G., and Chablat, D. (2023). On the Certification of the Kinematics of 3-DOF Spherical Parallel Manipulators. *Maple Transactions*. (Citation on pages 3, 4, 10, et 11)
- [Masten, 2008] Masten, M. K. (2008). Inertially stabilized platforms for optical imaging systems. *IEEE Control Systems Magazine*, 28(1):47–64. (Citation on page 1)
- [Merlet, 2006] Merlet, J.-P. (2006). *Parallel Robots (Second Edition)*. Solid Mechanics and Its Application. Springer. (Citation on pages 1 & 5)
- [Rouillier, 2007] Rouillier, F. (2007). *Algorithmes pour l'étude des solutions réelles des systèmes polynomiaux*. Habilitation à diriger des recherches, Université Pierre & Marie Curie - Paris 6. (Citation on page 5)
- [Tursynbek and Shintemirov, 2020] Tursynbek, I. and Shintemirov, A. (2020). Infinite torsional motion generation of a spherical parallel manipulator with coaxial input axes. *2020 IEEE/ASME International Conference on Advanced Intelligent Mechatronics (AIM)*, pages 1780–1785. (Citation on page 11)

APPENDICES

A. DERIVATION OF THE GEOMETRIC MODEL OF THE 3-RRR 3-DOF SPM OF INTEREST

A.1. Expressions of the unit vectors

Based on the convention used in [Lê et al., 2023] and [Bai et al., 2009], one can obtain the unit vectors u_i , w_i , and v_i , with $i \in \llbracket 1, 3 \rrbracket$ by exploiting the kinematic chain of the robot depicted in Figure 16.

Given that $z_b \triangleq [0 \ 0 \ 1]^T$, one can show that they can be written in the reference frame $\mathcal{F}_b :=$

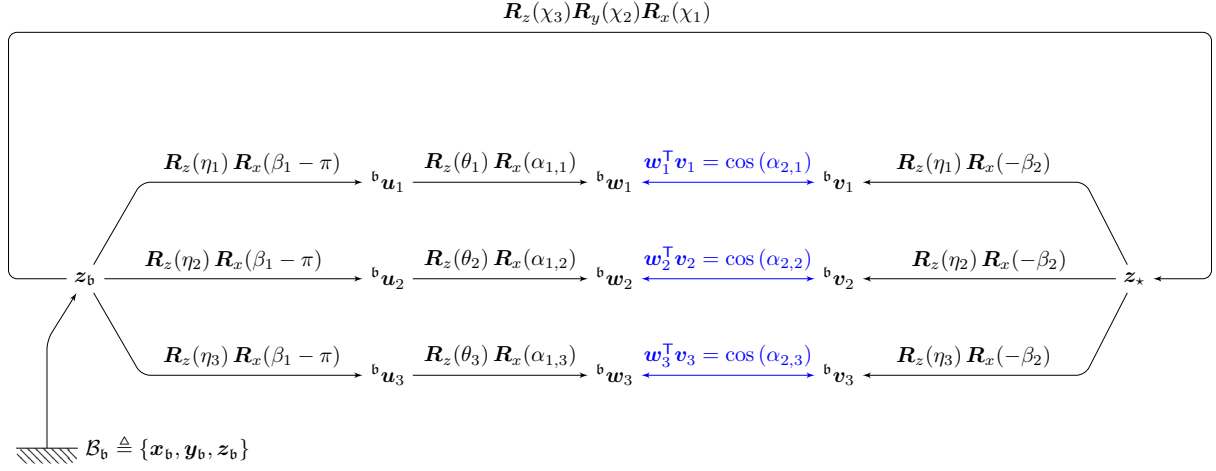


Figure 16. Kinematic chain of a general SPM

$(O, \mathbf{x}_b, \mathbf{y}_b, \mathbf{z}_b)$ as:

$$\begin{aligned} {}^b\mathbf{u}_i &= \mathbf{R}_z(\eta_i) \mathbf{R}_x(\beta_1 - \pi) \mathbf{z}_b \\ {}^b\mathbf{w}_i &= \mathbf{R}_z(\eta_i) \mathbf{R}_x(\beta_1 - \pi) \mathbf{R}_z(\theta_i) \mathbf{R}_x(\alpha_{1,i}) \mathbf{z}_b \\ {}^b\mathbf{v}_i &= \mathbf{R}_z(\chi_3) \mathbf{R}_y(\chi_2) \mathbf{R}_x(\chi_1) \mathbf{R}_z(\eta_i) \mathbf{R}_x(-\beta_2) \mathbf{z}_b \end{aligned} \quad (21)$$

where \mathbf{R}_x , \mathbf{R}_y and \mathbf{R}_z denote the rotation matrices around their respective local axis. The latter matrices are defined as follows:

$$\mathbf{R}_x(\chi_1) \triangleq \begin{bmatrix} 1 & 0 & 0 \\ 0 & \cos(\chi_1) & -\sin(\chi_1) \\ 0 & \sin(\chi_1) & \cos(\chi_1) \end{bmatrix} \quad (22a)$$

$$\mathbf{R}_y(\chi_2) \triangleq \begin{bmatrix} \cos(\chi_2) & 0 & \sin(\chi_2) \\ 0 & 1 & 0 \\ -\sin(\chi_2) & 0 & \cos(\chi_2) \end{bmatrix} \quad (22b)$$

$$\mathbf{R}_z(\chi_3) \triangleq \begin{bmatrix} \cos(\chi_3) & -\sin(\chi_3) & 0 \\ \sin(\chi_3) & \cos(\chi_3) & 0 \\ 0 & 0 & 1 \end{bmatrix} \quad (22c)$$

Remark 3. The disposition of the pivot linkage η_i , $i \in \llbracket 1, 3 \rrbracket$ is supposed to be identical for the base and the upper platform, as in [Lê et al., 2023]. However, as our robot has coaxial input shafts ($\beta_1 = 0$), such parameters does not appear “physically” but still in the equations.

Remark 4. In the special case of SPMs with coaxial input shafts ($\beta_1 = 0$), one always has

$${}^b\mathbf{u}_i = \begin{bmatrix} 0 \\ 0 \\ -1 \end{bmatrix}, \quad \forall i \in \llbracket 1, 3 \rrbracket$$

as mentioned in [Tursynbek and Shintemirov, 2020].

A.2. Expression of the geometric model

Let $x_i = \cos(\chi_i)$, $y_i = \sin(\chi_i)$, $c_i = \cos(\theta_i)$, and $s_i = \sin(\theta_i)$, $i \in \llbracket 1, 3 \rrbracket$. The detailed geometric

model of the mechanism of interest is given by:

$$\mathbf{f}(\boldsymbol{\theta}, \boldsymbol{\chi}) = \begin{bmatrix} f_1(\boldsymbol{\theta}, \boldsymbol{\chi}, \chi_1, \chi_2, \chi_3) \\ f_2(\boldsymbol{\theta}, \boldsymbol{\chi}, \chi_1, \chi_2, \chi_3) \\ f_3(\boldsymbol{\theta}, \boldsymbol{\chi}, \chi_1, \chi_2, \chi_3) \end{bmatrix}, \quad \text{with}$$

$$\begin{aligned} f_1 &= -c_1 x_3 y_2 y_1 + s_1 x_3 y_2 y_1 + c_1 y_3 y_2 y_1 + s_1 y_3 y_2 y_1 \\ &\quad - x_2 y_1 \sqrt{2} + c_1 x_3 x_1 + s_1 x_3 x_1 + c_1 y_3 x_1 \\ &\quad - s_1 y_3 x_1 + c_1 x_3 x_2 - s_1 x_3 x_2 \\ &\quad - c_1 y_3 x_2 - s_1 y_3 x_2 - y_2 \sqrt{2} \\ f_2 &= c_2 x_3 y_2 y_1 + s_2 x_3 y_2 y_1 + c_2 y_3 y_2 y_1 - s_2 y_3 y_2 y_1 \\ &\quad - x_2 y_1 \sqrt{2} + c_2 x_3 x_1 - s_2 x_3 x_1 - c_2 y_3 x_1 \\ &\quad - s_2 y_3 x_1 + c_2 x_3 x_2 + s_2 x_3 x_2 \\ &\quad + c_2 y_3 x_2 - s_2 y_3 x_2 + y_2 \sqrt{2} \\ f_3 &= c_3 y_1 y_2 y_3 + s_3 x_3 y_1 y_2 + c_3 x_1 x_3 - s_3 x_1 y_3 \end{aligned} \quad (23)$$

As highlighted in Figure 16, such a system is obtained using a kinematic closure being the dot product between \mathbf{w}_i and \mathbf{v}_i , $i \in \llbracket 1, 3 \rrbracket$.