



HAL
open science

Modeling, analysis and control of robot-object nonsmooth underactuated Lagrangian systems: A tutorial overview and perspectives

Bernard Brogliato

► **To cite this version:**

Bernard Brogliato. Modeling, analysis and control of robot-object nonsmooth underactuated Lagrangian systems: A tutorial overview and perspectives. 2022. hal-04344731v1

HAL Id: hal-04344731

<https://inria.hal.science/hal-04344731v1>

Preprint submitted on 14 Sep 2022 (v1), last revised 16 Jan 2024 (v4)

HAL is a multi-disciplinary open access archive for the deposit and dissemination of scientific research documents, whether they are published or not. The documents may come from teaching and research institutions in France or abroad, or from public or private research centers.

L'archive ouverte pluridisciplinaire **HAL**, est destinée au dépôt et à la diffusion de documents scientifiques de niveau recherche, publiés ou non, émanant des établissements d'enseignement et de recherche français ou étrangers, des laboratoires publics ou privés.

Modeling, analysis and control of robot-object nonsmooth underactuated Lagrangian systems: A tutorial overview and perspectives

Bernard Brogliato*

September 14, 2022

Abstract

So-called robot-object Lagrangian systems consist of a class of nonsmooth underactuated complementarity Lagrangian systems, with a specific structure: an “object” and a “robot”. Only the robot is actuated. The object dynamics can thus be controlled only through the action of the contact Lagrange multipliers, which represent the interaction forces between the robot and the object. Juggling, walking, running, hopping machines, robotic systems that manipulate objects, tapping, pushing systems, kinematic chains with joint clearance, crawling, climbing robots, some cable-driven manipulators, and some circuits with set-valued nonsmooth components, belong this class. This article aims at presenting their main features, then many application examples which belong to the robot-object class, then reviewing the main tools and control strategies which have been proposed in the Automatic Control and in the Robotics literature. Some comments and open issues conclude the article.

keywords: robot-object system; nonsmooth mechanical system; impact-aware robots; complementarity constraints; complementarity problem; feedback control; impact; set-valued friction; controllability; modeling; juggler; hopper; biped robot; running; joint clearance; object manipulation; nonsmooth circuits;

1 Introduction

Robot-object Lagrangian systems are a class of mechanical multibody systems subjected to unilateral constraints, impacts, friction, which possess the following canonical Lagrange dynamics (formally introduced in [1, 2], see also [3, 4, 5]):

$$\begin{aligned} (a) \quad & M_1(q_1)\ddot{q}_1 + F_1(q_1, \dot{q}_1, t) = \frac{\partial h^\top}{\partial q_1} \lambda_n + H_t^1(q_1, q_2)\lambda_t \\ (b) \quad & M_2(q_2)\ddot{q}_2 + F_2(q_2, \dot{q}_2, t) = \frac{\partial h^\top}{\partial q_2} \lambda_n + H_t^2(q_1, q_2)\lambda_t + E(q_2)\tau \\ (c) \quad & 0 \leq \lambda_n \perp w = h(q_1, q_2) \geq 0 \\ (d) \quad & \text{Impact model, friction model.} \end{aligned} \tag{1}$$

They form a subclass of complementarity Lagrangian systems [6]. The configuration space is $\mathcal{C} \ni q = (q_1^\top, q_2^\top)^\top$, subjected to unilateral constraints. The major ingredients are:

- (a) is the object’s dynamics, $q_1 \in \mathbb{R}^{n_1}$ is the object’s generalized coordinate.
- (b) is the robot’s dynamics, $q_2 \in \mathbb{R}^{n_2}$ is the robot’s generalized coordinate, $n \triangleq n_1 + n_2$.

*Univ. Grenoble Alpes, INRIA, CNRS, Grenoble INP, LJK, 38000 Grenoble, France. bernard.brogliato@inria.fr

- (c) are the complementarity conditions between the normal contact forces (the multiplier $\lambda_n \in \mathbb{R}^m$) and the gap or signed distance $h(q_1, q_2) = (h_1(q), h_2(q), \dots, h_m(q))^\top$ derived from the local kinematics [7, 6], when there are m potential contact points. The normal relative velocity component in the local contact frame at contact point i , is $v_{n,i} = \frac{\partial h_i}{\partial q} \dot{q}$, $v_n = (v_{n,1}, \dots, v_{n,m})^\top = \frac{\partial h}{\partial q} \dot{q} \in \mathbb{R}^m$.
- the vector $\lambda_t \in \mathbb{R}^{\bar{m}}$, $\bar{m} = \sum_{i=1}^m d_i$, collects the tangential forces and $\lambda_n \in \mathbb{R}^m$ collects the normal forces at the contact points, $\lambda_{t,i} \in \mathbb{R}^{d_i}$, $d_i = 1$ for planar friction, $d_i = 2$ for 3-dimensional friction,.
- the matrices $H_t^1(q_1, q_2) \in \mathbb{R}^{n_1 \times \bar{m}}$ and $H_t^2(q_1, q_2) \in \mathbb{R}^{n_2 \times \bar{m}}$ are determined from the local tangential relative velocities $v_{t,i} = H_{t,i}^{1,\top}(q) \dot{q}_1 + H_{t,i}^{2,\top}(q) \dot{q}_2 \in \mathbb{R}^{d_i}$ at the contact point i , $v_t = (v_{t,1}^\top, \dots, v_{t,m}^\top)^\top \in \mathbb{R}^{\bar{m}}$, $H_t^j = (H_{t,1}^{j,\top}, \dots, H_{t,m}^{j,\top})^\top$, $j = 1, 2$, $H_t \triangleq (H_t^{1,\top}, H_t^{2,\top})^\top \in \mathbb{R}^{n \times \bar{m}}$, $\bar{m} = \sum_{i=1}^m d_i$, $v_t = H_t^\top \dot{q} = H_t^{1,\top} \dot{q}_1 + H_t^{2,\top} \dot{q}_2$ [6, 7].
- $\tau \in \mathbb{R}^p$ is the control input, $E(q_2) \in \mathbb{R}^{n_2 \times p}$, $M_1(q_1) \succ 0$, $M_2(q_2) \succ 0$ are the object and the robot's symmetric mass matrices, $M(q) \triangleq \text{diag}(M_1(q_1), M_2(q_2))$, $F_1(q_1, \dot{q}_1, t)$ and $F_2(q_2, \dot{q}_2, t)$ gather the Coriolis/centrifugal generalized forces, forces which derive from a smooth potential, and exogenous forces or perturbations, $F(q, \dot{q}, t) \triangleq (F_1^\top, F_2^\top)^\top$.

More details about nonsmooth mechanics can be found in [7, 6, 8]. The dynamics can be also expressed in a Hamiltonian, or a Newton-Euler formalisms. The multiplier λ_n and an additional exogenous or control signal $u(\cdot)$ may appear in the complementarity variable $h(q_1, q_2, \lambda_n, u)$ to encompass compliant contacts, some cable-driven systems, and some electrical circuits, see sections 3.6.1, 3.11 and 3.12. As shown in this article, systems as in (1) are underactuated systems (with underactuation degree $n_1 + n_2 - p$) which encompass juggling systems [9, 10, 11, 12, 13], grasping manipulation [14, 15, 16, 17, 18] (the canonical dynamics (1) has long been used in the literature on manipulation [19, 20] [21, Equ. (6.24)] [14, Equ. (38.200)]), tapping, batting, pushing, catching, throwing, sliding [22], walking and running robots [4, 23, 24, 25, 26, 27, 28, 29, 30], jumping [31], climbing [32], crawling robots [33, 34, 35] (where the center of gravity plays the role of the object), kinematic chains with joint clearance [3], backlash effects and compensation in machine tools, see early studies in [36, 37, 38, 39, 40, 41, 42, 43], cable-driven manipulators [44, 45, 46, 47]. Typical trajectories in robot-object systems are depicted in Fig. 1 (this abstract representation of motion in the configuration space extends [48, Fig. 3] which neglects impacts).

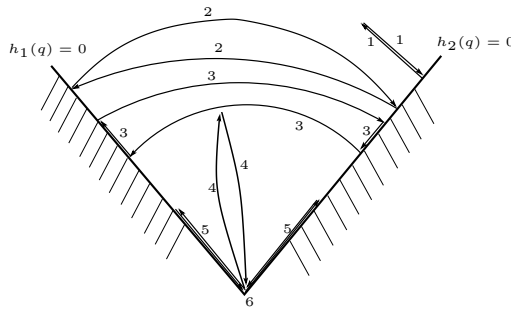


Figure 1: 1) juggling or hopping with a single surface, 2) running with bounce at each foot, 3) running with persistent-contact phase at each foot and airborne phases, or backlash compensation in machine tools with slide table, 4) hopping on both legs with instantaneous bounce, jumping with both feet, 5) walking machine, 6) persistent contact with all constraints (compensation of clearances, walking machine standing on all feet, crawling machines, object grasping).

The system in (1) is a complex nonlinear nonsmooth underactuated dynamics. Its main peculiarity is that the object’s dynamics can be controlled only through the multipliers λ_n and/or λ_t : consequently **contact/impact and friction are indispensable ingredients for the control of (1), not to be considered as disturbances as it is the case in other applications (hence friction compensation is irrelevant in robot-object systems)**. Roughly speaking, there may be three main control approaches: using solely impacts, using persistent contact, or both. Also, the only way to control the multipliers, in order to control the object, is to control the robot’s dynamics in a suitable way with τ . The impact law and the friction model play a crucial role in the Control properties. Therefore the control of (1) obeys a backstepping-like algorithm: 1) control the object with the multipliers, 2) use the contact/impact dynamics to obtain the desired multipliers, 3) control the robot state. The difference between (1) and flexible-joint robot (from which backstepping control originates [49, 50]), lies in the interconnection terms between the robot and the object: it stems from complementarity and friction in the former, from linear elasticity in the latter, with interconnection of the form $K(q_1 - q_2)$. Hence (1) may be seen as a nontrivial extension of flexible-joint robots, with a different potential function between the two subsystems: $U_{elas}(q_1, q_2) = \frac{1}{2}(q_1 - q_2)^\top K(q_1 - q_2)$, $K = K^\top > 0$, for flexible-joint robots, and $U_{unil} = \Psi_\Phi(q)$ for (1), with $\Phi = \{q \in \mathbb{R}^n \mid h(q_1, q_2) \geq 0\}$, and $\Psi_\Phi(\cdot)$ is the indicator function of $\Phi \subseteq \mathbb{R}^n$ (see [6, Theorem B.3, Corollary B.2] for details, see also [51, Figure 2.21]). Then outside impacts, $\nabla h(q)\lambda_n \in -\mathcal{N}_\Phi(q)$. Notice that friction is usually nonassociative and therefore does not depend on a potential [6, Section 5.3]. See also the Comments in section 3.6.1. When frictionless impacts are included it is still possible to define a superpotential, using Moreau’s second order sweeping process and the framework of measure differential inclusion [6, 52, 53]. As shown in C, we can also consider (1) with bilateral holonomic constraints. In this case the associated potential is still equal to $\Psi_\Phi(\cdot)$ and the normal cone is the normal space to the constraints. The generic structure is shown in Fig. 2.

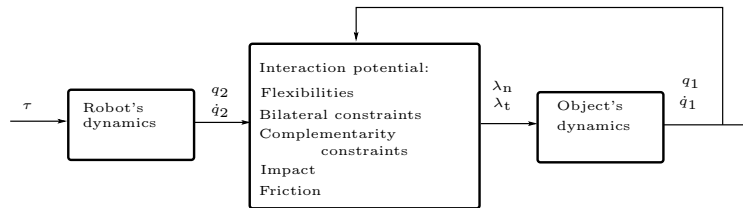


Figure 2: Global structure of robot-object systems.

One difference between flexible-joint robots, and (1), is that the so-called “fictitious” inputs of the classical backstepping algorithm, are not at all fictitious in (1) since they are the contact forces. But, they do play a similar role for the input τ design. As alluded to above, the control of some subclasses of (1) has received considerable attention (like walking robots, manipulation), and the importance of contact forces for their stability is well-known [54, 55, 56], as well as the constraints on these forces. However the analysis of the control properties of (1) seen as a family of underactuated nonsmooth mechanical systems, seems to be lacking (in spite of the facts that few articles propose unifying frameworks, as recalled below). One aim of this article is to suggest that some cross-fertilization between apparently different subclasses of (1), could be beneficial. Apart from the classical application fields mentioned above, we may cite neurosciences [57, 58, 59], biomechanics and sports performance analysis [60, 61], medicine [62, 63], physical anthropology [64, 65], psychology [66].

Remark 1 *Many studies in the field of robotic manipulation, pushing tasks, are led using static, quasi-static and geometric models [67, 17]. These models are not studied in this article.*

The main objective of this article is to show that several classes of robotic systems and tasks can be recast into the general framework of (1), a work initiated in [1, 3, 13] [2, sections 8.7, 8.8, 8.9], more recently in [68]

where bipedal locomotion and non-prehensile manipulation are studied from a common point of view (hence [68] extends, in a sense, [13]), in [29] where the analogy between balancing a biped and grasping an object is used. This article is organised as follows: the contact problem and the impact dynamics are introduced in section 2; section 3 presents several typical examples of robot-object systems, as well as extensions and new applications; section 4 is dedicated to survey the various analytical tools which have been used to study the control of subclasses of (1); section 5 surveys the existing control strategies. Conclusions end the article in section 6, where some perspectives for future research are given; finally in the Appendix some dynamics are detailed. Various comments are made throughout the article.

Remark 2 *Several classes of nonsmooth robotic systems (bipedal locomotion [4, 23, 24, 25, 26, 27, 28, 69, 70], manipulation [14, 15, 22, 71, 72, 73, 74], systems with joint clearance [75, 76], hopping robots [31], quadruped robots [77, 78], snake robots [34], cable-driven manipulators [44, 45], spherical robots with internal rotors [79]) have already been the object of survey articles in the Automatic Control or in the Robotics literature. It is therefore outside the scope of this article, to survey them exhaustively once again, since this would yield repetition and far too many references (probably several thousands). We therefore content ourselves with references that serve the main purpose of the article. Underactuated systems have also been the object of a lot of attention [80, 81, 82, 83], however robot-object systems (1) are not included in these survey articles (excepted for [83] which very quickly reviews some of them).*

Notation: Let $h : \mathbb{R}^n \rightarrow \mathbb{R}^m$, $q \mapsto h(q)$, then the Jacobian $\frac{\partial h}{\partial q}(q) \in \mathbb{R}^{m \times n}$ and the gradient $\nabla h(q) = \frac{\partial h}{\partial q}^\top(q)$. Linear Complementarity Problem (LCP): $0 \leq x \perp Mx + q \geq 0$ for any two vectors x and q and a matrix M , MLCP: mixed LCP, CP: Contact Problem, LCS: Linear Complementarity System, DI: differential inclusion, AC: absolutely continuous, PWL: piecewise linear, DoF: degree of freedom, CoR: coefficient of restitution. Let $M \in \mathbb{R}^{n \times m}$, M^\dagger is its Moore-Penrose pseudo-inverse; let $m = n$, $M \succ 0$ (resp. $\succcurlyeq 0$) denotes positive definite (resp. positive semidefinite) matrices, which satisfy $x^\top Mx > 0$ for all $x \neq 0$ (resp. $x^\top Mx \geq 0$). For any a_i , $1 \leq i \leq n$, the $n \times n$ matrix $[a] = \text{diag}(a_i)$. Set-valued signum function: $\text{sgn}(x) = +1$ if $x > 0$, -1 if $x < 0$, $[-1, +1]$ if $x = 0$, and $\text{Sgn}(x) = (\text{sgn}(x_1), \dots, \text{sgn}(x_n))^\top$. Let $K \subseteq \mathbb{R}^n$ be a closed set, its indicator function is $\psi_K(x) = 0$ if $x \in K$, $\psi_K(x) = +\infty$ if $x \notin K$. When K is closed convex nonempty, the subdifferential in the sense of Convex Analysis of the indicator function, denoted as $\partial\Psi_K(\cdot)$, is the normal cone $\mathcal{N}_K(x) = \{z \in \mathbb{R}^n \mid z^\top(y - x) \leq 0 \text{ for all } y \in K\}$. When $x \notin K$, $\mathcal{N}_K(x) = \emptyset$. The tangent cone $\mathcal{T}_K(x) = \{v \in \mathbb{R}^n \mid v^\top z \leq 0 \text{ for all } z \in \mathcal{N}_K(x)\} = (\mathcal{N}_K(x))^\circ = -(\mathcal{N}_K(x))^*$, where $(\cdot)^\circ$ is the polar cone and $(\cdot)^*$ is the dual cone. Extensions exist for nonconvex sets. In particular we shall use the tangent cone linearization cone denoted as $\mathcal{T}_K^h(\cdot)$ [52].

2 The Contact Problem and Impact Models

The interaction contact forces λ_n and λ_t are an essential ingredient of the dynamics (1). In this section we review the way they are calculated and how this influences the dynamics. The so-called *contact problem* [6] is at the core of the developments.

2.1 The Contact Problem

The Lagrange multipliers are computed as the solutions of the *contact problem* (CP) in case of persistent contact. The CP is constructed from the complementarity conditions in (1) (c), and the dynamics in (a) (b). Two main cases can be considered: with or without friction (tangential effects). Let $h(q_1, q_2) = 0$ and $\frac{d}{dt}h(q_1, q_2) = 0$. Then the contact problem is constructed from the acceleration constraint $0 \leq \lambda_n \perp \frac{d^2}{dt^2}h(q) =$

$\nabla h(q)^\top \ddot{q} + \frac{d}{dt}(\nabla h(q)^\top) \dot{q} \geq 0$ (see, *e.g.*, [6, Chapter 5]). Using (1) it follows that:

$$\ddot{h}(q) = \overbrace{\nabla h^\top M^{-1}(q) \nabla h}^{\triangleq D_{nn}(q)} \lambda_n + \overbrace{\nabla h^\top M^{-1}(q) H_t(q)}^{\triangleq D_{nt}(q)} \lambda_t - \overbrace{\nabla h^\top M^{-1}(q) F(q, \dot{q}, t) + \frac{d}{dt}(\nabla h(q)^\top) \dot{q}}^{\triangleq G(q, \dot{q}, t)} + \tilde{\tau}, \quad (2)$$

with $\tilde{\tau} \triangleq \frac{\partial h}{\partial q_2} M_2^{-1}(q_2) E(q_2) \tau$. This yields:

$$0 \leq \lambda_n \perp D_{nn}(q) \lambda_n + D_{nt}(q) \lambda_t + G(q, \dot{q}, t) + \tilde{\tau} \geq 0. \quad (3)$$

2.1.1 Frictionless CP

In this case $\lambda_t = 0$ and the CP (3) boils down to a linear complementarity problem (LCP). The LCP matrix $D_{nn}(q) = D_{nn}(q)^\top = \frac{\partial h}{\partial q_1} M_1^{-1}(q_1) \frac{\partial h}{\partial q_1}^\top + \frac{\partial h}{\partial q_2} M_2^{-1}(q_2) \frac{\partial h}{\partial q_2}^\top \succcurlyeq 0$ is called the *Delassus' matrix* [6]. A classical result of Complementarity Theory states that if $D_{nn} \succ 0$ (independent constraints) then the LCP (3) has a unique solution always [84]. In case $D_{nn} \succcurlyeq 0$ (redundant constraints), then feasibility of the LCP implies solvability. The contact LCP is a *controlled LCP*. Assume that $D_{nn}(q) = D_{nn}^\top \succ 0$, then the solution of (3) is:

$$\lambda_n = \text{proj}_{D_{nn}}[\mathbb{R}_+^m; -D_{nn}(q)^{-1}(G(q, \dot{q}, t) + \tilde{\tau})] \quad (4)$$

or equivalently as the solution of a constrained quadratic programme [85, 86]. Efficient numerical tools exist to solve such LCPs [84, 7]. In case of a desired persistent contact (like in bipedal locomotion, or a catching task, or systems with clearance), the LCP (3) furnishes the constraints to be verified by the controller (as in section 3.1.2). It is also to be used for detachment conditions.

State feedback $\tau(q, \dot{q}, t)$ cannot influence the contact LCP's well-posedness, but influences the solution λ_n . However contact force feedback (or tactile feedback) $\tau(q, \dot{q}, \lambda_n)$ has to be designed so that the modified closed-loop contact LCP is well-posed. This sort of algebraic loop is specific to complementarity systems.

Contact is persistent at all m contact points if and only if $\lambda_n > 0$ (the degenerated case $\lambda_n(t) = 0$ and $\ddot{h}(t) = 0$ is not considered as a persistent contact mode), equivalently:

$$D_{nn}(q)^{-1}(G(q, \dot{q}, t) + \tilde{\tau}) < 0, \quad (5)$$

which is a constraint on τ . Under (5) the submanifold $\{(q, \dot{q}) \mid h(q) = 0, \nabla h(q)^\top \dot{q} = 0\}$ is invariant with respect to the dynamics in (1) (4), which can be rewritten as:

$$\begin{cases} (a) M_1(q_1) \ddot{q}_1 + F_1^{con}(q, \dot{q}, t) = E_1^{con}(q) \tau \\ (b) M_2(q_2) \ddot{q}_2 + F_2^{con}(q, \dot{q}, t) = (E_2^{con}(q) + E(q_2)) \tau, \end{cases} \quad (6)$$

for some F_1^{con} , F_2^{con} , E_1^{con} , E_2^{con} easily calculable from (1) and (4) when the m contacts are active. Following for instance [87], a strategy to control activation/deactivation of the contacts can be designed. Notice that (6) are the zero-dynamics of (1) with input λ_n and output $h(q)$ (where $D_{nn} \succ 0$ is a relative degree $(2, \dots, 2)^\top \in \mathbb{R}^m$ condition), with constraint (5).

2.1.2 Frictional CP

Adding Coulomb's friction (or an extension of it) to the contact problem makes it more complex [88, 89, 6]. Many different friction models have been proposed in the literature. In the field of Multibody System Dynamics, with several contact/impact points, Coulomb's model and its variants (*e.g.*, Stribeck effects) are preferred because they allow for a correct modelling of sticking modes (zero tangential velocity), an essential fact not

covered by regularized single-valued models. In addition they permit reliable numerical analysis and simulation [7], avoiding stiff systems. Let us assume that the contact i is active. The Coulomb friction law, symbolically denoted as $(v_i, \lambda_i) \in \mathcal{C}(\mathbf{n}_i, \mu_i)$, where $\mathcal{C}(\mathbf{n}_i, \mu_i)$ is Coulomb's cone with friction coefficient $\mu_i \geq 0$, relates the normal and tangential parts of both the local velocity $v_i = (v_{n,i}, v_{t,i}^\top)^\top \in \mathbb{R}^{1+d_i}$ and the local contact force $\lambda_i = (\lambda_{n,i}, \lambda_{t,i}^\top)^\top \in \mathbb{R}^{1+d_i}$. According to [6, §5.3] [7, §3.9.1] [8, §5.3.2] [90]:

$$(v_i, \lambda_i) \in \mathcal{C}(\mathbf{n}_i, \mu_i) \iff \begin{cases} \text{either} & \|\lambda_{t,i}\| \leq \mu_i |\lambda_{n,i}| \text{ and } v_i = 0 & \text{(sticking mode)} \\ \text{or} & \|\lambda_{t,i}\| = \mu_i |\lambda_{n,i}| \text{ and } v_{n,i} = 0, v_{t,i} \neq 0 \\ & \text{and } \exists \alpha_i > 0, \lambda_{t,i} = -\alpha_i v_{t,i} & \text{(sliding mode)}. \end{cases} \quad (7)$$

In the sliding mode, one equivalently has $\lambda_{t,i} = -\mu_i |\lambda_{n,i}| \frac{v_{t,i}}{\|v_{t,i}\|}$. Coulomb's model in acceleration (which permits to detect efficiently stick/slip transitions) is as follows [6, 91]: a common assumption consists in imposing the force λ_i to lie on the border of the cone in the sticking case ($v_i = 0$) as soon as the acceleration $a_i = \dot{v}_i$ ceases to vanish in the tangential direction [91, 92]. In this case the tangential component $\lambda_{t,i}$ of the force should be parallel and opposed in sign to $a_{t,i} = \dot{v}_{t,i}$. This new model is symbolically denoted as $(v_i, a_i, \lambda_i) \in \mathcal{C}(\mathbf{n}_i, \mu_i)$ and summarized as [6, §5.3.4]:

$$(v_i, a_i, \lambda_i) \in \mathcal{C}(\mathbf{n}_i, \mu_i) \iff \begin{cases} \text{either:} & \begin{cases} \|\lambda_{t,i}\| \leq \mu_i |\lambda_{n,i}| \text{ and } v_i = 0, & a_i = 0. \\ \text{or: } \|\lambda_{t,i}\| = \mu_i |\lambda_{n,i}| \text{ and } v_i = 0, a_{n,i} = 0, & a_{t,i} \neq 0, \text{ and } \exists \beta_i > 0, \lambda_{t,i} = -\beta_i a_{t,i} \end{cases} \text{ (sticking modes)} \\ \text{or:} & \|\lambda_{t,i}\| = \mu_i |\lambda_{n,i}| \text{ and } v_{n,i} = 0, v_{t,i} \neq 0 \text{ and } \exists \alpha_i > 0, \lambda_{t,i} = -\alpha_i v_{t,i} \text{ (sliding mode)}, \end{cases} \quad (8)$$

where $a_{n,i} = \ddot{h}_i(q)$, $1 \leq i \leq m$. The second sticking mode yields an equivalent formulation $\lambda_{t,i} = -\mu_i |\lambda_{t,i}| \frac{a_{t,i}}{\|a_{t,i}\|}$. Note that $(v_i, a_i, \lambda_i) \in \mathcal{C}(\mathbf{n}_i, \mu_i) \Rightarrow (v_i, \lambda_i) \in \mathcal{C}(\mathbf{n}_i, \mu_i)$. Compared to the classical model formulated at the velocity level, a new subcase of the sticking mode is added, which corresponds to a stick→slip transition (vanishing velocity and non-vanishing tangential acceleration $a_{t,i}$).

The All-Sliding Frictional CP Following [88], and using suitable local kinematics frames, (see for instance [7, §3.3]), the CP takes the form:

$$0 \leq \lambda_n^{sl} \perp G(q, \dot{q}, t) + \tilde{\tau} + \underbrace{\nabla h(q)^\top M^{-1}(q) (\nabla h(q) - H_t(q)[\mu][\xi])}_{\triangleq \tilde{D}_{nt}(q)} \lambda_n^{sl} \geq 0, \quad (9)$$

with $\xi_i = \text{sgn}(v_{t,i})$, $v_{t,i} \neq 0$. Sufficient conditions on friction coefficients $\max_i \mu_i < \mu_{\max}(q)$ which guarantee that $\tilde{D}_{nt}(q) \succ 0$ (not necessarily symmetric) are given in [88, Proposition 12]. Assume that this condition and $\lambda_n > 0$ hold. Then the LCP (9) has a unique solution, and it is possible to rewrite the dynamics as:

$$\begin{cases} M_1(q_1) \ddot{q}_1 + F_1^{sl}(q, \dot{q}, t, \xi) = E_1^{sl}(q, \dot{q}, t, \xi) \tau \\ M_2(q_2) \ddot{q}_2 + F_2^{sl}(q, \dot{q}, t, \xi) = (E_2^{sl}(q, \dot{q}, t, \xi) + E(q_2)) \tau \end{cases} \quad (10)$$

for some $F_1^{sl}, F_2^{sl}, E_1^{sl}, E_2^{sl}$. The submanifold $\{(q, \dot{q}) \in \mathcal{C} \mid h(q) = 0, \nabla h(q)^\top \dot{q} = 0\}$ is invariant with respect to the dynamics in (10), with the input constraints:

$$\lambda_n^{sl}(q, \dot{q}, t, \tau) = -D_{nt}^{-1}(q) (G(q, \dot{q}, t) + \tilde{\tau}) > 0, \quad (11)$$

and $\dot{v}_t(q, \dot{q}, t, \tau) \neq 0$ at times when $v_t = 0$.

The All-Sticking Frictional CP The CP when all contacts are sticking is similar to the case of mixed bilateral/unilateral constraints [86], since it is assumed that

$$\begin{cases} v_t = H_t^{1,\top} \dot{q}_1 + H_t^{2,\top} \dot{q}_2 = 0 \\ v_n = \frac{\partial h}{\partial q_1} \dot{q}_1 + \frac{\partial h}{\partial q_2} \dot{q}_2 = 0. \end{cases} \quad (12)$$

These two equalities (in general, non-holonomic constraints) are used in manipulation system to transform the dynamics [14, 21, 19]. Using (8), the CP is constructed as follows [89]:

$$\begin{cases} M(q)\ddot{q} + F(q, \dot{q}, t) = \nabla h(q)\lambda_n^{st} + H_t(q)\lambda_t^{st} + \begin{pmatrix} 0 \\ E\tau \end{pmatrix} \\ \dot{v}_t = H_t(q)^\top M(q)^{-1} H_t(q)\lambda_t^{st} + R_t(q, \dot{q}, t, \lambda_n^{st}, \tau) = 0 \\ 0 \leq \lambda_n^{st} \perp a_n = \nabla h(q)^\top \ddot{q} + \frac{d}{dt}(\nabla h(q)^\top) \dot{q} \geq 0, \end{cases} \quad (13)$$

for some $R_t(q, \dot{q}, t, \lambda_n^{st}, \tau)$, linear in τ [89, Equ. (11)-(13)]. The problem in (13) is an MLCP with unknowns λ_n and λ_t . Assume that $H_t(q)$ has full column rank ($\Leftrightarrow H_t(q)^\top M(q)^{-1} H_t(q) \succ 0$). Following [86], one obtains an distorted contact LCP whose matrix is:

$$A_c(q) = \nabla h_n(q)^\top M_c(q)^{-1} \nabla h_n(q) \quad (14)$$

where $M_c(q)^{-1} = (M_c(q)^{-1})^\top \succcurlyeq$ has low rank [86, Lemma 2]. However $A_c(q)$ may have full rank [86] [6, p.252]. The contact LCP obtained from (13) is therefore equal to [86, sect. 4]

$$0 \leq \lambda_n^{st} \perp A_c(q)\lambda_n^{st} + H_c(q, \dot{q}, t, \tau) \geq 0, \quad (15)$$

for some $H_c(q, \dot{q}, t, \tau)$. Conditions for existence and uniqueness of solutions to the contact LCP (15) are given in [93, sect. 3]. It is noteworthy that the Coulomb's cone constraint is missing and has to be added to (15) to make the contact problem complete:

$$-\lambda_t^{st} = (H_t(q)^\top M(q)^{-1} H_t(q))^{-1} R_t(q, \dot{q}, t, \lambda_n^{st}, \tau) \in -\mathcal{D}(\mu, \lambda_n^{st}(\tau)) \quad (16)$$

where $\mathcal{D}(\mu, \lambda_n) \triangleq \mathcal{D}(\mu_1, \lambda_{n,1}) \times \dots \times \mathcal{D}(\mu_m, \lambda_{n,m})$ and the $\mathcal{D}(\mu_i, \lambda_{n,i})$ are Coulomb-Moreau's disks [90] [6, sect. 5.3.2]. Assume that $A_c(q) \succ 0$, then similarly to the foregoing all-sliding case, persistent contact is guaranteed if and only if the solution to $\lambda_n > 0 \Leftrightarrow \lambda_n = \lambda_n^{st}(q, \dot{q}, t, \tau) = -A_c(q)^{-1} H_c(q, \dot{q}, t, \tau) > 0$: using (15) and (16) yields constraints on τ (the example in section 3.6.3 is a particular case). The expression in the left-hand side of (16) furnishes the way to assign a desired value to λ_t using τ . Using (13), λ_n^{st} and (16), it is inferred that a system with similar global structure as (10) represents the all-sticking case dynamics:

$$\begin{cases} M_1(q_1)\ddot{q}_1 + F_1^{st}(q, \dot{q}, t, \xi) = E_1^{st}(q, \dot{q}, t, \xi)\tau \\ M_2(q_2)\ddot{q}_2 + F_2^{st}(q, \dot{q}, t, \xi) = (E_2^{st}(q, \dot{q}, t, \xi) + E(q_2))\tau, \end{cases} \quad (17)$$

for some $F_1^{st}, F_2^{st}, E_1^{st}, E_2^{st}$. The submanifold $\Sigma^{st} = \{(q, \dot{q}) \in \mathcal{C} \mid h(q) = 0, \dot{h}(q, \dot{q}) = 0, v_t = 0, a_t = \dot{v}_t = 0\}$ is invariant with respect to the dynamics (17), with the input constraints (16) and $A_c(q)^{-1} H_c(q, \dot{q}, t, \tau) < 0$.

Remark 3 *When the system is in a persistent sticking mode (with or without friction), it is subjected to bilateral (holonomic or nonholonomic) constraints as in (12). Then the techniques fitted to differential-algebraic systems can be applied to (6), (10) and (17), like coordinate reduction when this is possible. This implies to switch coordinates when the bilateral constraint changes, a widely used approach in biped locomotion control. Then the control properties of the system usually improve. For instance the jumper (or compass) in section 3.3 with sticking foot and foot torque, becomes a fully actuated manipulator with constrained input when in full sticking mode at one foot. As shown in section 3.1.2 on a simple example, using (17) or a backstepping approach for the control design, are equivalent.*

Conditions for all-sticking contacts have been studied deeply in specific cases: walking robots, and manipulation of rigid object (notions of form and force closures) [14]. Manipulation tasks with rolling complex objects [94] fit with the dynamics in (17).

The General Frictional CP it is also possible to construct CPs when there are both sliding and sticking bilateral and unilateral contacts, with or without friction. This is not tackled here for the sake of brevity (the CP becoming more complex), see [88, sect. 3.4] [93, sect. 4, 5] for details. Extensions of Gauss' Principle are given in all cases in [88, 86].

2.1.3 Comments

The fine structure of the above input constraints has to be studied further, for each application. Early results about input constraints for walking biped robots (all-sticking mode) can be found in [95, 96, 87, 97] [87, Proposition III.2]. The above developments prove that (1), when evolving in modes where contact is established, behaves like a nonlinear underactuated system with constrained input, see (6), (10), (17). For particular applications (like biped robots), the structure of these dynamics can be studied further to propose tailored solutions. The 3D friction can be simplified by cone faceting, though this may create issues [7, §13.3.7]. Friction modeling is still the object of research and disputes [98]. The great advantage of set-valued frictional models, is that they incorporate sticking modes, which are a very important phenomenon in the dynamics of multibody system [6, 8, 99, 100, 101].

2.2 Impact Models and Dynamics

A collision occurs each time a constraint is activated in a nontangential way. Impacts are highly nonlinear phenomena. Gross classes are: **i**) single impacts, *i.e.*, a single collision occurs without any overlap with foregoing or next collisions, **ii**) multiple impacts, *i.e.*, several collisions occur simultaneously in the system (they may occur for systems in Fig. 3 (b), 4, 5 (b), 6 (a) (c), 8 (b), 11, 12 (a), 12 (a)). Within these classes one may find [6, 102]: **a**) algebraic (zero-order) models, which relate post- and pre-impact velocities with a restitution map using kinematic CoRs, **b**) first-order dynamics following the Routh, the Darboux-Keller and the LZB approaches [2, 6, 103, 104, 99], where the normal contact force impulse is used as a new time-scale, and the CoRs may be kinetic or energetic, **c**) second-order dynamics (mainly, linear or nonlinear spring-dashpot rheological models). Tangential dissipation is usually modelled using extensions of set-valued Coulomb's friction, replacing forces by their impulses. Classical assumptions in zero and first-order impact dynamics are: positions are constant during the impact, all forces but impact ones are negligible. This allows one to rewrite (1) as the velocity/impulse dynamics:

$$\begin{cases} (a) M_1(q_1)(\dot{q}_1(t^+) - \dot{q}_1(t^-)) = \frac{\partial h^\top}{\partial q_1} p_n + H_t^1(q_1, q_2) p_t \\ (b) M_2(q_2)(\dot{q}_2(t^+) - \dot{q}_2(t^-)) = \frac{\partial h^\top}{\partial q_2} p_n + H_t^2(q_1, q_2) p_t \end{cases} \quad (18)$$

where $q_1 = q_1(t)$, $q_2 = q_2(t)$, p_n and p_t are the impact forces impulses. There are $n_1 + n_2 + m + \bar{m}$ unknowns and $n_1 + n_2$ equations in (18). Some models in class **ii a** write as [6, sect. 6.2.5] [105]: $\alpha) \nabla h(q)^\top \dot{q}(t^+) = -\mathcal{E}_n \nabla h(q)^\top \dot{q}(t^-)$, and $\beta) p_{t,i} \in -\mu_i p_{n,i} \text{sgn}(v_{t,i}^+ + e_{t,i} v_{t,i}^-)$, $\mathcal{E}_n \in \mathbb{R}^{m \times m}$ a normal restitution matrix, $e_{t,i}$ tangential CoRs. Inserting α and β in (18) yields a *generalised equation with constraints*, with unknowns p_n and $\dot{q}(t^+)$ and data $\dot{q}(t^-)$, $q(t)$, $[\mu]$, \mathcal{E}_t , \mathcal{E}_n :

$$\begin{cases} 0 \in D_{nn}(q) p_n - D_{nt}(q) [\mu] [p_n] \text{Sgn}(H_t^\top(q) \dot{q}(t^+) + \mathcal{E}_t H_t^\top(q) \dot{q}(t^-)) - (I_m + \mathcal{E}_n) \nabla h(q)^\top \dot{q}(t^-) \\ 0 \in M(q) (-\dot{q}(t^+) + \dot{q}(t^-)) + \nabla h(q) p_n - H_t(q) [\mu] [p_n] \text{Sgn}(H_t^\top(q) \dot{q}(t^+) + \mathcal{E}_t H_t^\top(q) \dot{q}(t^-)) \\ \text{Kinetic, kinematic, energetic consistencies [6, Chapter 6].} \end{cases} \quad (19)$$

Some multiple-impact mappings yield a compact writing, like Moreau's second order sweeping process that can be expressed as a LCP in the local velocities at contact $(v_{n,i}, v_{t,i})$ [6, 106], or Pfeiffer-Glocker's law which is solved with two sequential LCP [107]. Notice that $\begin{pmatrix} v_n \\ v_t \end{pmatrix} (t^+) - \begin{pmatrix} v_n \\ v_t \end{pmatrix} (t^-) = D_{\text{tot}}(q) \begin{pmatrix} p_n \\ p_t \end{pmatrix}$, where $D_{\text{tot}}(q) =$

$\begin{pmatrix} D_{\text{nn}}(q) & D_{\text{nt}}(q) \\ D_{\text{nt}}^\top(q) & D_{\text{tt}}(q) \end{pmatrix}$, $D_{\text{tt}}(q) = H_{\text{t}}(q)^\top M(q)^{-1} H_{\text{t}}(q)$, is the total Delassus' matrix. Therefore it is possible to express (19) in terms of local velocities, under rank conditions.

*Impact models from classes **b**) and **c**) can be used [108, 109, 110], since they are in certain cases “richer” than class **(a)** ones. However, whatever the chosen approach may be, the impact dynamics usually yields a complex problem. The problem (19) can be seen as a nonlinear nonsmooth map: $\dot{q}(t^-) \mapsto (\dot{q}(t^+), p_{\text{n}})$, parameterized with $q(t)$, μ , \mathcal{E}_{n} , \mathcal{E}_{t} , etc.*

Remark 4 (Model limitations) *All the contact mechanics ingredients in (1) (impact model, friction model, complementarity constraints) possess limitations. This is well-known for impacts and friction, for which numerous modeling approaches and comparative analyses exist. This is less known for the complementarity constraints, which do represent a particular contact model [6, section 5.4]. In particular, magnetic effects are excluded, as well as blowing effects which exert a force at a nonzero distance [111]. But, adhesive effects can be encapsulated in a nonsmooth complementarity dynamical framework, using cohesion laws [7, section 3.9.4.4]. Adhesive effects can be useful in manipulation tasks [112, 113]. It is noteworthy that these comments must be recast in the perspective of the used contact models in the Control and the Robotics scientific communities, where many studies are led assuming oversimplified models. This is the case for instance in the biped robots literature, where it is most of the time simply assumed that the feet are two contact points which stick to the ground in both normal and tangential directions, after impacts. Thus in many instances the above models represent a significant step forward [114], though they may themselves rely on some simplistic assumptions and on phenomenological coefficients. It is noteworthy that complementarity is unavoidable as long as basic assumptions [6, section 5.4] hold true. But, it can be described in different ways (inclusion in a normal cone, variational inequality, or hybrid automata [115, Figure 2] [116, Figure 2] [117, Figure 3] if the number of modes is small). Finally, this class of models has been validated experimentally [116], where normal and tangential local kinematics are carefully analyzed. Contact and impact modeling is still the object of research and validation in Robotics [118, 119].*

2.3 Further Transformations of the Dynamics (1)

Let $H_i(q) \triangleq \left(\frac{\partial h}{\partial q_i}^\top \ H_i^i \right) \in \mathbb{R}^{n_i \times (m + \bar{m})}$, $i = 1, 2$. Assume that $D_i \triangleq H_i^\top M_i^{-1} H_i \succ 0$, $i = 1, 2$. Then (1) (a) (b) can be rewritten as:

$$\begin{pmatrix} D_1^{-1} H_1^\top & -D_2^{-1} H_2^\top \end{pmatrix} \begin{pmatrix} \ddot{q}_1 \\ \ddot{q}_2 \end{pmatrix} = F_{\text{red}}(q, \dot{q}, \tau, t), \quad (20)$$

for some $F_{\text{red}}(\cdot)$ which is independent of λ_{n} and λ_{t} . Using (18), (20) becomes at impact times:

$$\begin{pmatrix} D_1^{-1} H_1^\top & -D_2^{-1} H_2^\top \end{pmatrix} \begin{pmatrix} \dot{q}_1(t^+) - \dot{q}_1(t^-) \\ \dot{q}_2(t^+) - \dot{q}_2(t^-) \end{pmatrix} = 0. \quad (21)$$

The all-sticking equality (12) $H_1^\top(q) \dot{q}_1 + H_2^\top(q) \dot{q}_2 = 0$ is customarily used in grasping to rewrite the dynamics on the object's coordinates [14, 21, 19], assuming that H_2 is square invertible ($\Rightarrow n_2 = m + \bar{m}$). This allows to write n_1 -DoF dynamics at the object's level, independently of the contact forces (but quite differently from (20)), where the left-hand side of (20) becomes $(D_1^{-1} + D_2^{-1}) H_1^\top \ddot{q}_1$ while the right-hand side is modified. It extends to the case $n_2 \leq m + \bar{m}$ and $\text{rank}(H_2^\top) = n_2 \Rightarrow \dot{q}_2 = -(H_2^\top)^\dagger H_1^\top \dot{q}_1$. In case of all-sticking mode ($h(q) = 0$, $v_{\text{t}} = 0$), contact points act as joints and coordinate-reduction techniques for bilaterally constrained systems may be applied. For instance the system in Fig. 6 is a two-DoF manipulator when either P_1 or P_2 sticks to the ground, acting as a revolute joint. This is customarily employed in biped robots control [4, 120, 121, 26].

Bilateral Constraints As alluded to above, other interconnections than those in (1) can be considered (like flexibilities between bodies). The case of bilateral holonomic constraints is a simplified version of (1):

$$\begin{aligned}
(a) \quad & M_1(q_1)\ddot{q}_1 + F_1(q_1, \dot{q}_1, t) = \frac{\partial f^\top}{\partial q_1} \lambda_n + H_t^1(q_1, q_2)\lambda_t \\
(b) \quad & M_2(q_2)\ddot{q}_2 + F_2(q_2, \dot{q}_2, t) = \frac{\partial f^\top}{\partial q_2} \lambda_n + H_t^2(q_1, q_2)\lambda_t + E(q_2)\tau \\
(c) \quad & f(q_1, q_2) = 0 \\
(d) \quad & \text{Friction model.}
\end{aligned} \tag{22}$$

Classical methods exist for the transformation of (22): calculation of λ_n by differentiating twice (22) (c) (which yields the KKT system [6, Equation (5.3)], which is the counterpart of the contact LCP in (3), and a dynamics similar to (6)), the McClamroch-Wang transformation [122], the reduction of the generalized coordinates by elimination of redundant ones (as done in biped locomotion with contact point feet in the stance phases). However they are not always applicable, *e.g.*, when the constraints are not independent, or when coordinate reduction yields unsolvable equations, and may be local only. Also friction makes the problem harder, see (83) in section 6. For instance, the gear transmission models studied in [123, equations (10)-(13)] (similar to the system in Fig. 19 (a)) fit with (22). But it is unclear whether or not the transformed, reduced dynamics in [123, Equation (14)] which eliminates the robot's dynamics (or better, which hides it), is better suited for control than the original dynamics. Indeed it yields a highly nonlinear (both in state and input) and nonsmooth system. The major discrepancy between bilateral and unilateral constraints during persistent contact phases, is that the former do not imply signed multipliers λ_n and input constraints. *It is noteworthy that the most general model, often encountered in applications, incorporates both bilateral and unilateral constraints.*

2.4 Equilibrium points

The equilibrium points of (1) are the solutions of the generalized equation:

$$\begin{cases}
(F_1(q_1^*, 0, t) = \frac{\partial h}{\partial q_1} \lambda_n^* + H_{t,1}(q_1^*, q_2^*)\lambda_t^* \\
F_2(q_2^*, t) = \frac{\partial h}{\partial q_2} \lambda_n^* + H_{t,2}(q_1^*, q_2^*)\lambda_t^* + E(q_2^*)\tau(q^*, 0, t) \\
0 \leq \lambda_n^* \perp h(q_1^*, q_2^*) \geq 0 \\
\text{friction model in sticking mode.}
\end{cases} \tag{23}$$

for all $t \geq 0$. The generalized equation (23) may have no, several but finite, or an infinite number of solutions. The complementarity constraints in (23) (c) is equivalent to the inclusion $\lambda_n^* \in -\partial\psi_{\mathbb{R}_+^m}(h(q_1^*, q_2^*))$, hence (23)

(a) (b) (c) is equivalent in the frictionless case to $\begin{pmatrix} F_1(q_1^*, 0, t) \\ F_2(q_2^*, t) - E(q_2^*)\tau(q^*, 0, t) \end{pmatrix} \in -\frac{\partial h}{\partial q}(q_1, q_2)\partial\psi_{\mathbb{R}_+^m}(h(q_1^*, q_2^*))$.

Assuming that $h(\cdot)$ is continuously differentiable at the point $h(q_1^*, q_2^*) \geq 0$, and applying the Chain Rule to $\psi_{\mathbb{R}_+^m} \circ h$ [124, Theorem 10.6] [6, Theorem B.3] it follows that

$$\begin{pmatrix} F_1(q_1^*, 0, t) \\ F_2(q_2^*, t) - E(q_2^*)\tau(q^*, 0, t) \end{pmatrix} \in -\partial\psi_\Phi(q_1^*, q_2^*) = -\mathcal{N}_\Phi(q_1^*, q_2^*) \tag{24}$$

with $\Phi = \{(q_1, q_2) \mid h(q_1, q_2) \geq 0\}$. The generalized equation (25) is in the canonical form of variational inequalities [125], and [125, Corollary 2.2.5] for existence of solutions can be applied each time Φ is compact and convex subset of \mathbb{R}^n . In the case where the equilibrium belongs to the frictionless constraints boundary, *i.e.*, $h(q_1^*, q_2^*) = 0$, it follows that

$$\lambda_n^* = \text{proj}_{D_{\text{nn}}(q^*)}[\mathbb{R}_+^m; -D_{\text{nn}}(q^*)^{-1}F(q^*, 0, t) - D_{\text{nn}}(q^*)^{-1}\frac{\partial h}{\partial q_2}^\top M_2^{-1}(q_2^*)\tau(q^*, 0, t)]. \tag{25}$$

If only some of the equilibria belong to the boundary, then (25) can be constructed eliminating the ones inside the admissible domain $\Phi = \{(q_1, q_2) \mid h(q_1, q_2) \geq 0\}$. In case of nonzero friction, the equilibrium multipliers have to verify the frictional contact problem. In this case the set of equilibria may be complex [126].

2.5 Well-posedness

The existence, uniqueness, and continuous-dependence of solutions to (1), follow from general results about complementarity Lagrangian systems, see a summary in [6, Theorem 5.3] for the frictionless case, see [127, 128] for the case with friction. Therefore the following will be assumed:

- q_1 and q_2 are absolutely continuous (continuously differentiable in the absence of impacts),
- \dot{q}_1 and \dot{q}_2 are right-continuous of local bounded variations (absolutely continuous in the absence of impacts). Thus impact times make a countable set, with possible accumulations on the left only: this has important consequences for control.
- Continuous dependence does not hold in general (important parameters are the constraints kinetic angles).

2.6 A (Very) Complex Hybrid Dynamical System

Future robotics is likely to require highly complex tasks: bipedal machines which walk/run/jump/crawl and more [129, 130, 131, 115], quadruped robots which walk/run/gallop/trot/amble/bound/pace/half bound/transversally gallop/kick/jump on their rear legs, robots which grasp/dexterously manipulate/push/tap/juggle [132, 133], robots which throw/catch [134, 135], which climb/slide along poles, quadcopters which juggle/catch/throw a ball [136, 137], manipulation with mobile manipulator for timber harvesting tasks [138], *etc.* In all cases the contact points should be allowed to stick or/and to slip [139], which is unavoidable as it is shown on simple examples in [114]. From sections 2.1 and 2.2, it is inferred that robot-object systems (1) can be interpreted as systems which switch between low-dimensional systems (*i.e.*, subjected to bilateral constraints) with input constraints, where the transitions occur either through stick/slip events (tangential set-valued friction), or activation/deactivation of constraints. Let us consider the frictionless case. It is noteworthy that the system can switch from a codimension $m^- \leq m$ constraint subspace to a codimension $m^+ \geq m^- + 1$ constraint subspace (at least one constraint is activated) or to a codimension $m^+ \leq m^- - 1$ constraint subspace (at least one constraint is deactivated). In the first case, the augmented constraint subspace is accompanied by a transition phase involving impacts (excepted in the particular case of tangential trajectories at the time contact is established). When friction is present, sticking modes add constraint subspaces $v_{t,i} = 0$. Mimicking [140, 141, 4, 142], we may split the time axis into intervals that correspond to the various subdynamics in (6), (10), (17) and the generalized equation (19) (it is noteworthy that input constraints are attached to each subdynamics, and that the switching times are not exogenous since they are ruled by complementarity constraints). The mapping (19) applies each time a constraint is activated. We denote $\alpha(t) \subseteq \{1, \dots, m\}$ the set of activated constraints at time t (outside impact times), and $\text{bd}^{\alpha(t)}(\Phi)$ is the corresponding boundary of the admissible domain (thus $\text{codim}(\text{bd}^{\alpha(t)}(\Phi)) = \dim(\alpha(t))$ and $\text{Int}(\Phi) = \text{bd}^{\emptyset}(\Phi)$). We have $q(t) \in \mathcal{C}_{\alpha(t)} \triangleq \mathcal{C} \cap \text{bd}^{\alpha(t)}(\Phi)$ at each time t . The set of impact times is $\{t_k\}_{k \geq 0}$, and we assume that $t_0 > 0$. For $t \in (t_k, t_{k+1})$ the velocity belongs to the tangent space $T_{\mathcal{C}_{\alpha(t)}}(q(t))$. At an impact time t , the tangent space is replaced by the tangent cone $T_{\Phi}(q(t))$, which represents the set of admissible velocities (the kinematic consistency of the impact law). At an impact time t the set $\alpha(t)$ may increase (plastic impact with a constraint which adds one dimension to $\alpha(t)$), or stay the same (elastic impact on one constraint which is not activated after the impact). A detachment time corresponds to a strict decrease in $\dim(\alpha(t))$ (equal to the number of deactivated constraints). Consequently on (t_k, t_{k+1}) , the set $\alpha(t)$ is nonincreasing. We can write:

$$\begin{array}{ccccccc} \mathcal{C}_{\alpha(t_0)} \times T_{\mathcal{C}_{\alpha(t_0)}}(q(t_0)) & \rightarrow & \mathcal{C}_{\alpha(t_0^-)} \times (-T_{\Phi}(q(t_0))) & \rightarrow & \mathcal{C}_{\alpha(t_0^+)} \times T_{\Phi}(q(t_0)) & \rightarrow & \mathcal{C}_{\alpha(t)} \times T_{\mathcal{C}_{\alpha(t)}}(q(t)) \rightarrow \dots \\ (q(0), \dot{q}(0)) & \mapsto & (q(t_0), \dot{q}(t_0^-)) & \mapsto & (q(t_0), \dot{q}(t_0^+)) & \mapsto & (q(t), \dot{q}(t)) \mapsto \dots \end{array} \quad (26)$$

On each interval (t_k, t_{k+1}) we may add events corresponding to detachment times which modify the tangent space, and also stick/slip events which activate/deactivate nonholonomic bilateral constraints. Let us define the tangential sticking submanifold $\Sigma_{st}^{\beta(t)} = \{(q, \dot{q}) \in \mathcal{C}_{\alpha(t)} \times T_{\mathcal{C}_{\alpha(t)}}(q(t)) \mid v_{t,i} = H_{t,i}(q)^\top \dot{q} = 0, i \in \beta(t) \subseteq \alpha(t)\}$, and the stick-to-slip one: $\Sigma_{stsl}^{\gamma(t)} = \{(q, \dot{q}) \in \mathcal{C}_{\alpha(t)} \times T_{\mathcal{C}_{\alpha(t)}}(q(t)) \mid v_{t,i} = H_{t,i}(q)^\top \dot{q} = 0, a_t = \dot{v}_{t,i} \neq 0, i \in \gamma(t) \subseteq$

$\beta(t) \subseteq \alpha(t)\}$. As above Σ_{st}^\emptyset means all activated contacts are sliding. Let us denote $\bar{\beta} = \{1, \dots, m\} \setminus \beta$, $\bar{\gamma} = \beta \setminus \gamma$. Thus on (t_k, t_{k+1}) we have the following generic situation:

$$\begin{aligned} \Sigma_{sl}^{\bar{\beta}(t_k^+)} \cup \Sigma_{st}^{\beta(t_k^+)} &\rightarrow \Sigma_{sl}^{\bar{\beta}(t_k^+)} \cup \Sigma_{st}^{\bar{\gamma}(t_k^{1,-})} \cup \Sigma_{stsl}^{\gamma(t_k^{1,-})} &\rightarrow \Sigma_{sl}^{\bar{\beta}(t_k^{1,+})} \cup \Sigma_{st}^{\bar{\gamma}(t_k^{1,+})} \cup \Sigma_{stsl}^{\gamma(t_k^{1,+})} &\rightarrow \Sigma_{sl}^{\bar{\beta}(t_k^{1,+})} \cup \Sigma_{st}^{\bar{\gamma}(t_k^{2,-})} \cup \Sigma_{stsl}^{\gamma(t_k^{2,-})} \\ &\rightarrow \Sigma_{sl}^{\bar{\beta}(t_k^{2,+})} \cup \Sigma_{st}^{\bar{\gamma}(t_k^{2,+})} \cup \Sigma_{stsl}^{\gamma(t_k^{2,+})} &\rightarrow \dots &\rightarrow \Sigma_{sl}^{\bar{\beta}(t_{k+1}^-)} \cup \Sigma_{st}^{\beta(t_{k+1}^-)}. \end{aligned} \quad (27)$$

In (27) the switches in $\alpha(t)$ corresponding to detachment times are not written, but $\alpha(t)$ can decrease along (27). The times t_k^j are the times of stick/slip transition, $j \in \mathbb{N}^*$ (accumulations may occur). To each subinterval corresponds a constrained dynamics as in (6) or (10) or (17) and their associated flows. The phases diagram in [135, Figure 3] corresponding to catch/releasethrow is a simple case of (26) (27).

3 Simple Examples

This section is dedicated to present a collection of typical robot-object systems, with detailed dynamics (see embryonic attempts in [2, sect. 8.7][4, 3]). The first example is also used to introduce some basic control features.

3.1 Controlled Bouncing Balls and Chains

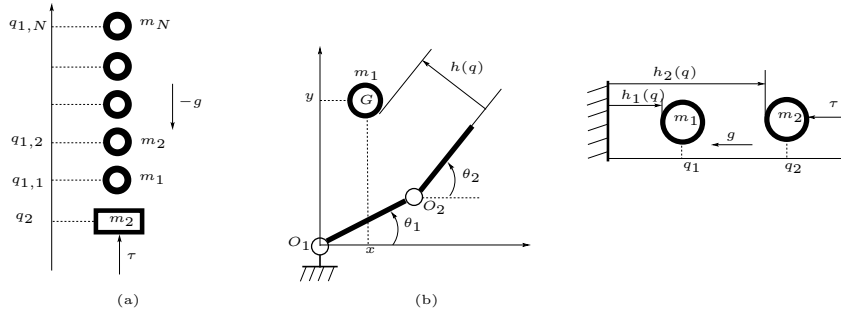


Figure 3: (a) controlled chain of beads, (b) tapping robot, (c) dribbling robot.

Let us consider a system without friction but involving impacts, as depicted in Fig. 3 (a), with $N = 1$:

$$\begin{cases} (a) & m_1 \ddot{q}_1 + m_1 g = \lambda_n \\ (b) & m_2 \ddot{q}_2 + m_2 g = -\lambda_n + \tau \\ (c) & 0 \leq \lambda_n \perp h(q) = q_1 - q_2 \geq 0 \\ (d) & (\dot{q}_1 - \dot{q}_2)(t_k^+) = -e_n (\dot{q}_1 - \dot{q}_2)(t_k^-) \text{ if } q_1(t_k) = q_2(t_k) \text{ and } (\dot{q}_1 - \dot{q}_2)(t_k^-) \leq 0, \end{cases} \quad (28)$$

with the coefficient of restitution (CoR) $e_n \in [0, 1]$, t_k denotes an impact time. This simple example can serve as an introduction to analyse some of the specific features of systems as in (1). The ball is assumed to be a point mass (no rotation is modeled, $n_1 = 1$).

3.1.1 Bouncing Ball Control through Impacts

In (26) the index set $\alpha(t)$ switches repeatedly between \emptyset and $\{1\}$. At an impact time the dynamics is algebraic as in (18), and few calculations using (28) yield:

$$\begin{aligned} (a) & \dot{q}_1(t_k^+) = \dot{q}_1(t_k^-) + \frac{p_n(t_k)}{m_1} \\ (b) & p_n(t_k) = -(1 + e_n) \frac{m_1 m_2 (\dot{q}_1(t_k^-) - \dot{q}_2(t_k^-))}{m_1 + m_2} \geq 0 \\ (c) & \dot{q}_2(t_k^-) = \dot{q}_2(t_k^-)(q_2(t_{k-1}), \dot{q}_2(t_{k-1}^+), \tau_{[t_{k-1}, t_k]}). \end{aligned} \quad (29)$$

Roughly speaking, using (29) (a) the object's post-impact velocity can be given a desired value using a suitable controller $p_n(t_k) \geq 0$. Using (29) (b) a suitable robot's pre-impact velocity can be calculated. Using the robot's dynamics $m_2\ddot{q}_2 + m_2g = \tau$ between two impacts, (29) (c) follows and the input τ can be designed to assign $\dot{q}_2(t_k^-)$. Then the object's dynamics evolves according to $m_1\dot{q}_1 + m_1g = 0$ until a next impact occurs. There are at least two peculiarities in such a control problem: the controller τ has to verify some viability constraints, *i.e.*, it has to guarantee that $q_1(t) - q_2(t) > 0$ for all $t \in (t_k, t_{k+1})$, and the impact "controller" verifies $p_n(t_k) \geq 0$ (a signed controller), which obviously restricts the object's controllability through the impacts. Such a collision control strategy is close to a backstepping algorithm. In the frictionless case, (29) (b) is obtained from (19), (29) (a) is obtained from (18) (a).

Another way to see the same problem is using an impact Poincaré mapping, *i.e.*, a Poincaré mapping defined with Poincaré section $\{(q_1, q_2, \dot{q}_1, \dot{q}_2) \mid q_1 = q_2, \dot{q}_1 > \dot{q}_2\}$. Hence the system is observed at post-impact times. Both object and robot's dynamics have to be integrated on $(t_{k-1}, t_k]$:

$$\dot{q}_1(t_k^+) = \dot{q}_1(t_k^-)(q_1(t_{k-1}), \dot{q}_1(t_{k-1}^+)) + \frac{p_n(t_k)}{m_1}, \quad (30)$$

and on (t_{k-1}, t_k) :

$$\dot{q}_2(t_k^-) = \dot{q}_2(t_k^-)(q_2(t_{k-1}), \dot{q}_2(t_{k-1}^+), \tau_{[t_{k-1}, t_k]}). \quad (31)$$

Hence a controller $p_n(t_k)$ is chosen to set a desired $\dot{q}_1(t_k^+)$ with (30), then $\dot{q}_2(t_k^-)$ is deduced from (29), and the final step is to design $\tau_{[t_{k-1}, t_k]}$ which is τ over $[t_k, t_{k+1}]$ using (31). Another algorithm is detailed in [3, section 4] which uses flight times and applies to a general class of vibro-impact systems [3, Equation (26)] (it extends the recursive method in [1, section III.B]). Similar method is used in [143, section 2.3].

3.1.2 Bouncing Ball Control with Persistent Contact

Consider now the case when both bodies are in persistent contact (in (26) the index set $\alpha(t) = \{1\}$ for all times): $q_1(t) = q_2(t)$ and $\dot{q}_1(t) = \dot{q}_2(t)$ for all $t \geq 0$. Then the multiplier $\lambda_n(t)$ is given as the solution of the *contact linear complementarity problem* (contact LCP in (3)): $0 \leq \lambda_n(t) \perp \ddot{q}_1(t) - \ddot{q}_2(t) = g + \frac{\lambda_n(t)}{m_1} + \frac{\lambda_n(t)}{m_2} - \frac{\tau(t)}{m_2} \geq 0$. The persistent contact is guaranteed if and only if $g - \frac{\tau(t)}{m_2} < 0 \Leftrightarrow \lambda_n(t) = -\frac{m_1 m_2}{m_1 + m_2} (g - \frac{\tau(t)}{m_2}) > 0$ (which is (4) and (5)). In this case since $\ddot{q}_1(t) - \ddot{q}_2(t) = 0$ for all times, it follows that $(m_1 + m_2)\ddot{q}_2 = -m_1g + \tau$, hence τ can be designed as $\tau(q_2, \dot{q}_2, t)$ to control (q_2, \dot{q}_2) . The constraint to be satisfied at each time is $g - \frac{\tau(q_2, \dot{q}_2, t)}{m_2} > 0 \Leftrightarrow \tau(q_2, \dot{q}_2, t) < m_2g$ for all $t \geq 0$: again the control input is constrained. This control strategy can also be designed with a backstepping approach, defining first a virtual input $\lambda_{n,d}$ to control the object's dynamics. Indeed let $\lambda_{n,d}(q_1, \dot{q}_1, t)$ be a suitable "virtual" input, hence:

$$m_1\ddot{q}_1(t) + m_1g = \tilde{\lambda}_{n,d}(t) + \lambda_{n,d}(t), \quad (32)$$

with $\tilde{\lambda}_{n,d}(t) = \lambda_n(t) - \lambda_{n,d}(t)$, such that the system $m_1\ddot{q}_1(t) + m_1g = \lambda_{n,d}(t)$ has the required stability properties, and let:

$$m_2\ddot{q}_2(t) + m_2g = -\tilde{\lambda}_{n,d}(t) - \lambda_n(t) + \tau. \quad (33)$$

Let $\tau = \tau_2(q_2, \dot{q}_2, t) + m_2g + \lambda_{n,d}(t)$ be such that the system $m_2\ddot{q}_2(t) = \tau_2(q_2, \dot{q}_2, t)$ has the required stability properties. It follows from (32) and (33) that:

$$\begin{cases} m_1\ddot{q}_1(t) + m_1g - \lambda_{n,d}(t) = \tilde{\lambda}_{n,d}(t) \\ m_2\ddot{q}_2(t) - \tau_2(q_2, \dot{q}_2, t) = -\tilde{\lambda}_{n,d}(t). \end{cases} \quad (34)$$

Let $\tilde{q}_1 = q_1 - q_{1,d}$, and so on for the other variables. Assume that both $\lambda_{n,d}(q_1, \dot{q}_1, t)$ and $\tau_2(q_2, \dot{q}_2, t)$ are chosen for trajectory tracking so that (34) is:

$$\begin{cases} m_1\ddot{\tilde{q}}_1(t) + \alpha_1\dot{\tilde{q}}_1(t) + \alpha_2\tilde{q}_1(t) = \tilde{\lambda}_{n,d}(t) \\ m_2\ddot{\tilde{q}}_2(t) + \alpha_3\dot{\tilde{q}}_2(t) + \alpha_4\tilde{q}_2(t) = -\tilde{\lambda}_{n,d}(t), \end{cases} \quad (35)$$

for some suitable control gains $\alpha_i > 0$. If the conditions for persistent contact hold, then (35) implies:

$$(m_1 + m_2)\ddot{\tilde{q}}_1(t) + (\alpha_1 + \alpha_3)\dot{\tilde{q}}_1(t) + (\alpha_2 + \alpha_4)\tilde{q}_1(t) = 0, \quad (36)$$

from which it follows that $\tilde{q}_1(\cdot)$, $\dot{\tilde{q}}_1(\cdot)$ and $\ddot{\tilde{q}}_1(\cdot)$ all converge exponentially fast to zero. Then $\tilde{\lambda}_{n,d}(\cdot)$ also converges exponentially to zero. Obviously this holds if and only if the persistent contact condition $\tau(t) = \tau_2(q_2, \dot{q}_2, t) + \lambda_{n,d}(q_1, \dot{q}_1, t) < m_2g$ for all $t \geq 0$ is true along the closed-loop solutions for all times.

The fact that in both sections 3.1.1 and 3.1.2 the control input has to verify some constraints, is a common feature of all systems tackled in this study.

Let us briefly analyze the relationships between the above backstepping scheme, and the control of the system in (6), which takes the form:

$$\begin{cases} m_1\ddot{q}_1 + m_1g + \frac{m_1m_2}{m_1+m_2}g = \frac{m_1}{m_1+m_2}\tau \\ m_2\ddot{q}_2 + m_2g - \frac{m_1m_2}{m_1+m_2}g = \left(1 - \frac{m_1}{m_1+m_2}\right)\tau. \end{cases} \quad (37)$$

Since on a persistent contact time-interval $q_1 \equiv q_2$, (37) reduces to: $(m_1 + m_2)\dot{q}_1 + (m_1 + m_2)g = \tau$. The above strategy boils down to setting $\tau = (m_1 + m_2)(\ddot{q}_{1,d} - \beta_1\dot{q}_{1,d} - \beta_2\tilde{q}_{1,d}) + (m_1 + m_2)g \Rightarrow \ddot{\tilde{q}}_1 + \beta_1\dot{\tilde{q}}_{1,d} + \beta_2\tilde{q}_{1,d} = 0$, *i.e.*, dynamics like (36) is obtained. The backstepping approach may have the advantage that it decouples the study into subtasks.

3.1.3 Bouncing Ball Catching Task

Assume now that the objective is to catch the moving object, with a nonzero restitution coefficient (in (26) the index set $\alpha(t)$ switches once from \emptyset to $\{1\}$). The objective is to catch the object at a desired height $q_{1,d}$ and at a desired time instant t_{cat} , and to keep the contact for all $t \geq t_{cat}$ (hence for all $t > t_{cat}$ the task is as in section 3.1.2), or on some finite time-interval for toss juggling tasks [144, 135]. If $e_n > 0$ the catching implies that $\dot{q}_1(t_{cat}^+) - \dot{q}_2(t_{cat}^+) = 0 \Rightarrow \dot{q}_1(t_{cat}^-) - \dot{q}_2(t_{cat}^-) = 0$. A dead-beat controller can be used with a specific desired post-impact state (zero relative velocity), is this always doable in one shot or are several impacts needed due to viability or else? The results in [145] are an alternative where the “robot” is excited sinusoidally. The Zhuravlev-Ivanov transformation [6, sect. 1.4.3], which allows one to rewrite the error or gap $q_1 - q_2$ dynamics (28) as a DI with AC solutions, can be used. This transformation is available only for a single unilateral constraint (or for multiple constraints which are orthogonal in the kinetic metric). The twisting sliding-mode controllers in [146, 147] (see [6, Theorem 7.6]) can be designed to stabilize the transformed system to the origin in finite time. Hence they apply to catching tasks. Only the relative velocity and position are set to zero, however. Then a controller assuring persistent contact as in section 3.1.2 may be used to move the system to the desired position.

3.1.4 Control of a Chain of Balls

The one-dof juggler may be extended to the system in Fig. 3 (b), where the ball is replaced by a vertical chain of beads. Its dynamics is:

$$\begin{cases} m_N\ddot{q}_{1,N} = -m_Ng + \lambda_{n,N} \\ m_i\ddot{q}_{1,i} = -m_i g + \lambda_{n,i} - \lambda_{n,i+1}, \quad i = 1, \dots, N-1 \\ m_2\ddot{q}_2 = \tau - m_2g - \lambda_{n,1} \\ 0 \leq \lambda_{n,1} \perp h_1(q) = q_{1,1} - q_2 \geq 0 \\ 0 \leq \lambda_{n,i} \perp h_i(q) = q_{1,i} - q_{1,i-1} \geq 0, \quad i = 2, \dots, N \end{cases} \quad (38)$$

In (38), $q_1 = (q_{1,1}, \dots, q_{1,N})^\top$, $M_1 = \text{diag}(m_i)$. The impact law is not indicated in (38), because there are several possible models, see section 2.2. Indeed the chain of beads yields so-called *multiple impacts*, *i.e.*, several

collisions may occur at the same time. The modeling of multiple impacts is a tough issue [6, 102], which may influence the control properties of the system (mainly because of the *dispersion* of the kinetic energy, which is strongly influenced by the masses m_i ratios). The “object” has dimension N , the robot has dimension 1. Intuitively the control with $N > 1$ is more complex than for $N = 1$. The goal may be to control the chain’s center of mass, the first ball 1, the last ball N , to stabilize the whole chain (catching task) on the robot in a prescribed time (even if the kinetic energy is conserved with elastic impacts, using only the dispersion). Let us consider that the object is the chain’s center of mass with $q_{cm} = \frac{\sum_{i=1}^N m_i q_{1,i}}{\sum_{i=1}^N m_i}$, we obtain the equivalent dynamics:

$$\begin{aligned}
(a) \quad & \sum_{i=1}^N m_i \ddot{q}_{cm} = -g \sum_{i=1}^N m_i + \lambda_{n,1} \\
(b) \quad & m_2 \ddot{q}_2 = \tau - m_2 g - \lambda_{n,1} \\
(c) \quad & 0 \leq \lambda_{n,1} \perp h_1(q) = q_{1,1} - q_2 \geq 0 \\
& m_i \ddot{q}_{1,i} = -m_i g + \lambda_{n,i} - \lambda_{n,i+1}, \quad i = 1, \dots, N-1 \\
& 0 \leq \lambda_{n,i} \perp h_i(q) = q_{1,i} - q_{1,i-1} \geq 0, \quad i = 2, \dots, N
\end{aligned} \tag{39}$$

Despite (39) (a) (b) (c) looks like (28) where (39) (a) plays the role of the object, (39) is quite different from (28): the multiplier $\lambda_{n,1}$ is not complementary to $q_{cm} - q_2$. Notice that (20) is obtained by adding (28) (a) and (b), and (39) (a) and (b). This allows to control the whole system’s center of mass. When $N = 3$, the equivalence with a particle hitting in a corner may be used, see below.

3.1.5 Tapping Planar System (2-dof Pinball)

The one-dof juggler may be extended also to the system in Fig. 3 (c). Compared with (38), the impact between the puck and the arm is simple as in (28), compared with (28) friction may be added and it is likely to play a prominent role in the puck’s postimpact velocity control [109]. The dynamics is given by:

$$\begin{cases}
m_1 \ddot{x} = -\sin(\theta_2) \lambda_n + \cos(\theta_2) \lambda_t \\
m_1 \ddot{y} = \cos(\theta_2) \lambda_n + \sin(\theta_2) \lambda_t \\
M_2(q_2) \ddot{q}_2 + F_2(q_2, \dot{q}_2) = \begin{pmatrix} \tau_1 \\ \tau_2 \end{pmatrix} + \begin{pmatrix} l_1 \sin(\theta_2 - \theta_1) \\ 0 \end{pmatrix} \lambda_t + \frac{\partial h}{\partial q_2} \lambda_n \\
0 \leq \lambda_n \perp h(q) = l_1 \sin(\theta_2 - \theta_1) - x \sin(\theta_2) + y \cos(\theta_2) \geq 0 \\
\lambda_t \in -\mu \lambda_n \text{sgn}(v_t) \\
v_t = \dot{x} \cos(\theta_2) + \dot{y} \sin(\theta_2) + l_1 \dot{\theta}_1 \sin(\theta_2 - \theta_1),
\end{cases} \tag{40}$$

with $q_2 = (\theta_1, \theta_2)^\top$, $q_1 = (x, y)^\top$, $\|O_1 O_2\| = l_1$.

3.1.6 Wedge Juggling Robot

A variation of the system in Fig. 3 (b), is depicted in Fig. 4 (a). Wedge/bead contact is assumed frictionless. Its dynamics is:

$$\begin{cases}
m_1 \ddot{x} = \sin(\theta_2 - \alpha) \lambda_{n,1} + \sin(\theta_2 + \alpha) \lambda_{n,2} \\
m_1 \ddot{y} = -\cos(\theta_2 - \alpha) \lambda_{n,1} + \cos(\theta_2 + \alpha) \lambda_{n,2} - m_1 g \\
M_2(q_2) \ddot{q}_2 + F_2(q_2, \dot{q}_2) = \begin{pmatrix} \tau_1 \\ \tau_2 \end{pmatrix} + \frac{\partial h}{\partial q_2} \lambda_n \\
0 \leq \lambda_{n,1}(q) \perp h_1(q) = -(-x + c + l_1 \cos(\theta_1) + l_2 \cos(\theta_2)) \sin(\theta_2 - \alpha) - (y - l_1 \sin(\theta_1) \\
\quad - l_2 \sin(\theta_2)) \cos(\theta_2 - \alpha) \geq 0 \\
0 \leq \lambda_{n,2}(q) \perp h_2(q) = -(-x + c + l_1 \cos(\theta_1) + l_2 \cos(\theta_2)) \sin(\theta_2 + \alpha) + (y - l_1 \sin(\theta_1) \\
\quad - l_2 \sin(\theta_2)) \cos(\theta_2 + \alpha) \geq 0
\end{cases} \tag{41}$$

with $\|O O_1\| = c$, $\|O_1 O_2\| = l_1$, $\|O_3 O_2\| = l_2$, $\beta = \frac{\pi}{2} - \alpha$ (symmetrically mounted wedge).

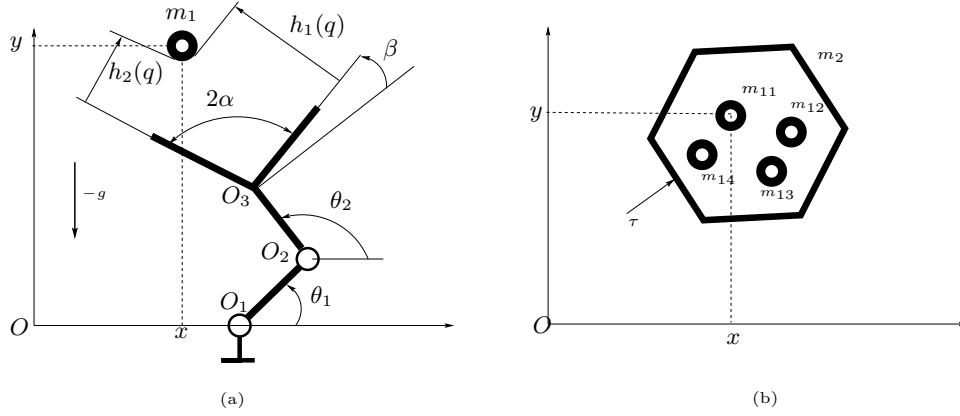


Figure 4: (a) Wedge juggling robot; (b) planar billiard with controlled box.

3.1.7 Controlled Billiard

A special juggling system is depicted in Fig. 4 (b): this is a planar billiard where the box is controlled. When several beads are inside the box, one obtains a system of swarm reconfiguration [148], which is a variant of the juggler with many balls in Fig. 3 (a) (this paves the way towards granular matter control). In the literature the ball inside the billiard is controlled [149, 150, 151, 152] and the box is immobile and insensitive to impacts (its mass is infinite compared to that of the ball). Then the challenge is to track a desired trajectory, including impacts and consequently the jump mismatch (see section 4.4). An obvious property of the system in Fig. 4 (b) is that $q_1(t) \in S(t)$ for all $t \geq 0$, where $S(t)$ is the set delimited by the box (a polyhedral convex set in Fig. 4 (b)).

3.1.8 Comments

Let us disregard for the moment the constraints which apply on the variables (these will be a consequence of the contact problem, see section 2.1). The object's controllability properties can be studied assuming first that the multipliers λ_n and λ_t are fictitious inputs [153, 11, 12, 1, 109], which has been sometimes named the *impulsive controllability* when vibro-impact are analysed [109]. In (28), the bouncing ball object is controllable with λ_n and its robot is controllable with τ . In (40) the object is underactuated and uncontrollable if $\lambda_t = 0$ (frictionless case), and fully actuated and controllable with input (λ_n, λ_t) since the input matrix $\begin{pmatrix} \sin(\theta_2) & \cos(\theta_2) \\ -\cos(\theta_2) & \sin(\theta_2) \end{pmatrix}$ has full rank 2, and the robot is fully actuated and controllable with τ . What does it become if friction is negligible ($\mu \ll 1$)? Results in [153] [109, Proposition 3.1, Corollary 3.1] indicate accessibility and local controllability of similar objects. Another topic concerns robustness when μ is uncertain parameter. The robot in (39) (b) is controllable with τ , the object in (39) (a) is controllable with $\lambda_{n,1}$. In (41) the object is controllable (for almost all θ_2) with input $(\lambda_{n,1}, \lambda_{n,2})$, and the robot is fully actuated and controllable with τ .

However in all cases, one has to analyse (at least) two important facts: 1) what happens with these “unconstrained” controllability properties when the constraints are taken into account? 2) what is the role played by the contact/impact problem which intervenes in-between the object and the robot's dynamics, so that the multipliers can be assigned desired values? As a subquestion of 2): examine the difference between friction-induced “controllers” λ_t , and unilateral contact induced “controllers” λ_n , as illustrated by the systems in Fig. 3 (c), and in Fig. 4. For instance, despite the objects in (40) and in (41) seem to possess similar control properties, they may differ significantly (a wedge-billiard or wedge-juggler possesses a much richer set of object's trajectories than a plate-like juggler [154]). Assume that O_3 in Fig. 4 (a) is attained by the puck so that both multipliers (or

their magnitude as Dirac measures if the impact are instantaneous) are positive. It is well-known [6] that such a 2-impact yields discontinuity with respect to the initial data if $\alpha > \frac{\pi}{4}$, while solutions are usually continuous in the initial data if $\alpha \leq \frac{\pi}{4}$. In the latter case there also exist general conditions such that the puck may be trapped in the wedge, or rejected from it [6, sect. 6.1.4] [102, Appendix A]. Therefore depending on α it may be much more difficult to reorient the puck using a wedge tool, than using frictional effects. On the contrary the wedge may be a convenient way to realize catching, if the angle and the CoRs are suitable. As shown in [1], the controllability of the system may be considerably improved if m increases.

Another important comment is about the equivalence between the particle impact in a planar wedge, and the impact between three aligned beads [102, Appendix A]. Thus strategies for trapping, may be used for the controlled chain of three beads ($N = 3$ in (38)). Consider now (39). The major control design is to control the robot to assign some desired value to the multiplier $\lambda_{n,1}$ at impacts. The only solution if impacts are assumed to be sequential, is to strike bead 1 with some velocity $\dot{q}_2(t_k^-)$, let collisions propagate, and compute \dot{q}_{cm} . At this stage one faces a major issue: the multiple impact model to be chosen for control. The above juggling systems, which have a 2-dimensional operating space, can be upgraded to sophisticated tasks in 3-dimensional space, incorporating complex patterns [155], juggling with sticks [9, 10]. Another extension, which can be seen as a complexification of all the above systems, is the manipulation of granular matter [156, 148], two simple examples of which are in Fig. 3 (a) and Fig. 4 (b). Consider the controlled billiard in Fig. 4 (b). Two main cases exist: either the box is insensitive to impacts, either it is not. In the first case, $S(t) = \{q_1 \in \mathbb{R}^{n_1} \mid h(q_1, q_2) = h(q_1, t) \geq 0\}$ can be arbitrarily controlled with $\tau \in \mathbb{R}^2$, and the dynamics lends itself to modeling with the Moreau's second order sweeping process (SOSwP [52, 6]):

$$\begin{cases} (a) M_1 \ddot{q}_1(t) \in -\mathcal{N}_{V(q_1(t))} \left(\frac{\dot{q}_1(t^+) + e_n \dot{q}_1(t^+)}{1 + e_n} \right) \\ (b) M_2 \ddot{q}_2 = \tau, \end{cases} \quad (42)$$

$e_n \in [0, 1]$, where $V(q_1, t) \subseteq \mathbb{R}^{n_1}$ is defined as $V(q_1, t) = \{v_1 \in \mathbb{R}^{n_1} \mid \nabla h(q_1, t)^\top v_1 + \frac{\partial h}{\partial t}(q_1, t) \geq 0\}$ (this is an extension of the linearization cone tangent cone [52]), and $\mathcal{N}_{V(q_1(t))}(\dot{q}_1(t^+))$ is the normal cone to $V(q_1)$ calculated at the right-velocity $\dot{q}_1(t^+)$. The evolution of the set $S(t)$ depends on $q_2(t)$ and $\dot{q}_2(t)$, which are controlled by τ (hence from the point of view of the object this is a time-varying, exogenous variation reflected in the gap function as $h(q_1, q_2) = h(q_1, t)$). From (42) (a), $q_1(0) \in S(0) \Rightarrow q_1(t) \in S(t)$ for all $t \geq 0$. It also encapsulates a kinematic impact law for both single and multiple impacts:

$$\begin{aligned} M_1(\dot{q}_1(t^+) - \dot{q}_1(t^-)) &\in -\mathcal{N}_{V(q_1(t))} \left(\frac{\dot{q}_1(t^+) + e_n \dot{q}_1(t^+)}{1 + e_n} \right) \\ &\Updownarrow \\ \dot{q}_1(t^+) &= -e_n \dot{q}_1(t^+) + (1 + e_n) \text{proj}_{M_1}[V(q_1(t)); \dot{q}_1(t^-)], \end{aligned} \quad (43)$$

which can be rewritten as a LCP [106]. In the case of a single impact, this boils down to the classical Newton's kinematic law. In the second case $S(t)$ depends on the pre-impact velocities. Clearly the controllability properties are simpler in the first case, where the boundedness of $S(t)$ can be obtained trivially. A notable difference with other systems is that ballistic trajectories between impacts, are straightlines which can be travelled across in an arbitrary time, while those subject to gravity cannot. The presence of friction, and the used impact model, may influence also a lot the billiard controllability [109].

In the above we have considered tasks for which the primarily goal is to control the object. Few other tasks may involve the object as a kind of perturbation, while the goal is to control the robot which has to collide with the object (like landing aircrafts –helicopters, quadrotors– on a moving target platform [157, 158]). A simplified model is (28) where $m_1 g$ is replaced by an external excitation $p_1(t, \dot{q}_1, q_1)$ in (28) (a), and (28) (b) is $m_2 \ddot{q}_2 = -\lambda_n + \tau$: the goal is a kind of reversed catching task (section 3.1.3) where the robot has to stabilize on the object. In some applications it is legitimate to assume $m_1 \gg m_2$, hence the object is not affected by impacts (just the contrary of what is commonly assumed for jugglers). The most common approach in the literature is to synchronize the robot's motion and that of the object [158] to achieve landing without impacts.

Finally the dribbling system in Fig. 3 is a variant of the juggling system with one ball in (28). The main difference is the presence of a second multiplier for the wall/ball contact, and the fact that impacts occur successively with both constraints (excepted if a double-impact occurs). Consequently the counterpart of (29) involves more steps. The similarity between juggling and dribbling is pointed out in [159].

3.2 Controlled Frictional Oscillators (Sliding Task)

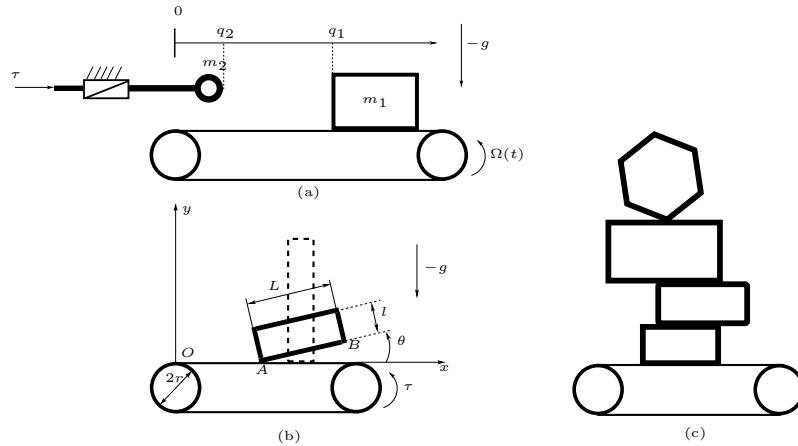


Figure 5: Frictional oscillator: (a) sliding block, (b) rocking block, (c) stacked blocks.

Let us consider the system in Fig. 5 (a), which consists of a prismatic arm with mass m_2 and a mass m_1 in stick/slip motion on a moving belt (it is assumed that the mass m_1 never detaches from the belt, *i.e.*, a one-dof system). The two pulleys have radius $r > 0$ and rotate with angular velocity $\Omega(t) > 0$, which is assumed to be arbitrary and independent of the interaction with the mass. Its dynamics is given as:

$$\begin{cases} m_1 \ddot{q}_1 = \lambda_n + \lambda_t \\ m_2 \ddot{q}_2 = -\lambda_n + \tau \\ 0 \leq \lambda_n \perp h(q) = q_1 - q_2 \geq 0 \\ (\dot{q}_1 - \dot{q}_2)(t_k^+) = -e_n(\dot{q}_1 - \dot{q}_2)(t_k^-) \text{ if } q_1(t_k) = q_2(t_k) \text{ and } (\dot{q}_1 - \dot{q}_2)(t_k^-) \leq 0 \\ \lambda_t \in -\mu m_1 g \operatorname{sgn}(\dot{q}_1 - r\Omega(t)), \end{cases} \quad (44)$$

It is noteworthy that the set-valued signum function can be written (as any piecewise linear function) in a complementarity framework [6, p.309][160], hence recasting (44) into (1):

$$\begin{cases} m_1 \ddot{q}_1 = \lambda_n + 1 - 2\lambda^a \\ m_2 \ddot{q}_2 = -\lambda_n + \tau \\ 0 \leq \lambda_n \perp h(q) = q_1 - q_2 \geq 0 \\ (\dot{q}_1 - \dot{q}_2)(t_k^+) = -e_n(\dot{q}_1 - \dot{q}_2)(t_k^-) \text{ if } q_1(t_k) = q_2(t_k) \text{ and } (\dot{q}_1 - \dot{q}_2)(t_k^-) \leq 0 \\ 0 \leq \lambda^a \perp -\dot{q}_1 + r\Omega(t) + \lambda^b \geq 0 \\ 0 \leq \lambda^b \perp 1 - \lambda^a \geq 0. \end{cases} \quad (45)$$

where λ^a and λ^b are two multipliers. The major difference between (45) and (28) is that the gravity is replaced by friction in the object's dynamics. Clearly the analysis of (44) is more complex than that of (28) since set-valued friction involves stick/slip tangential modes. Using basic Convex Analysis, the dynamics (44) is equivalently rewritten as the differential inclusion (outside impacts):

$$\begin{cases} m_1 \ddot{q}_1 \in -\mathcal{N}_{C_1(q_2)}(q_1) - \mu m_1 g \operatorname{sgn}(\dot{q}_1 - r\Omega(t)) \\ m_2 \ddot{q}_2 - \tau \in -\mathcal{N}_{C_2(q_1)}(q_2), \end{cases} \quad (46)$$

which is a system made of two subsystems interconnected through the normal cones sets $C_1(q_2) = \{q_1 \mid q_1 \in \mathbb{R}_+ + x_2\}$ and $C_2(q_1) = \{q_2 \mid q_2 \in q_1 + \mathbb{R}_-\}$ (the normal cones derive from a nonsmooth potential function, see section 1, and in (46) the friction force also derives from a nonsmooth potential). Another model could be chosen for the same system. Assume that the mass m_2 is attached to the wall with a spring of stiffness $k > 0$, and that the control input is the velocity Ω . The controlled dynamics becomes:

$$\begin{cases} (a) & m_2 \ddot{q}_2 = -kq_2 - \lambda_n \\ (b) & m_1 \ddot{q}_1 \in \lambda_n - \mu m_1 g \operatorname{sgn}(\dot{q}_1 - r\Omega(t)) \\ & 0 \leq \lambda_n \perp h(q) = q_1 - q_2 \geq 0 \\ & (\dot{q}_1 - \dot{q}_2)(t_k^+) = -e_n(\dot{q}_1 - \dot{q}_2)(t_k^-) \text{ if } q_1(t_k) = q_2(t_k) \text{ and } (\dot{q}_1 - \dot{q}_2)(t_k^-) \leq 0 \end{cases} \quad (47)$$

The controlled dynamics in (47) is recast into (1), where the roles played by the object in (a) and the robot in (b) are reversed compared with (44), and the input acts through the signum multifunction. Writing again the sign function in a complementarity framework, allows us to see that the controller Ω enters the complementarity constraints. We will encounter this in other systems, see section 3.12. Let us now analyse the oscillator in Fig. 5 (b). The block's coordinate vector is $(x, y, \theta)^\top$, Coulomb's friction acts between the block's corners and the moving belt. In Fig. 5 (b) two types of blocks are depicted: a slender block (dashed lines), and a flat block (solid lines). It is expected that their respective motions, for a given belt velocity profile and friction coefficient, may be quite different: the slender block may easily rock and even overturn, while the flat block could easily slide on the belt. The control goals will certainly be different depending on the slenderness, which is measured by the kinetic angle [6, p.403] between the two constraints (the role of the constraints' angle is recovered as in section 3.1.8). The dynamics of this system is:

$$\begin{cases} (a) & m\ddot{x} = \lambda_{t,1} + \lambda_{t,2} \\ (b) & m\ddot{y} = \lambda_{n,1} + \lambda_{n,2} - mg \\ (c) & I_G \ddot{\theta} = \frac{\partial h}{\partial \theta} \lambda_n + \left(\frac{l}{2} \cos(\theta) - \frac{l}{2} \sin(\theta)\right) \lambda_{t,1} + \left(\frac{l}{2} \cos(\theta) + \frac{l}{2} \sin(\theta)\right) \lambda_{t,2} \\ (d) & I_b \dot{\Omega} = r(\lambda_{t,1} + \lambda_{t,2}) + \tau \\ & 0 \leq \lambda_{n,1} \perp h_1(q(t)) = y - \frac{l}{2} \cos(\theta) + \frac{l}{2} \sin(\theta) \geq 0 \\ & 0 \leq \lambda_{n,2} \perp h_2(q(t)) = y - \frac{l}{2} \cos(\theta) - \frac{l}{2} \sin(\theta) \geq 0 \\ & \lambda_{t,i} \in -\mu_i \lambda_{n,i} \operatorname{sgn}(v_{t,i} - r\Omega(t)), i = 1, 2 \\ & v_{t,1} = \dot{x} + \left(\frac{l}{2} \cos(\theta) - \frac{l}{2} \sin(\theta)\right) \dot{\theta} \text{ at } B \\ & v_{t,2} = \dot{x} + \left(\frac{l}{2} \cos(\theta) + \frac{l}{2} \sin(\theta)\right) \dot{\theta} \text{ at } A. \end{cases} \quad (48)$$

In (48), $q_1 = (x, y, \theta)^\top$, $q_2 = \omega$, $\dot{\omega} = \Omega$, I_G is the moment of inertia of the block with respect to its center of mass, I_b is the pulley's moment of inertia. As alluded to above, the dynamical properties of this system certainly strongly depend on the block's aspect ratio, *i.e.*, whether it is slender or not. An impact model has to be added to (48). The case with slender block (dashed lines) is similar to an inverted pendulum on a cart, where the joint between the pendulum and the cart is replaced by frictional contact with the basis.

Comments The dynamical behaviour of frictional oscillators has been thoroughly studied in the Bifurcation and Chaos literature when a linear spring/dashpot links the mass to a fixed wall [161, 162, 163]. The systems in (44) (or (45)) and (48) possess different control properties. The object in (44) is controllable with input (λ_n, λ_t) , the object in (48) (a) (b) (c) is controllable with input $(\lambda_{n,1}, \lambda_{n,2}, \lambda_{t,1}, \lambda_{t,2})$ for $\theta \in (0, \frac{\pi}{2})$. The robot in (44) is controllable with τ , the robot in (48) (d) is controllable with input τ . The pulleys' dynamics is introduced in (48), while it is neglected in (45) so that the controller enters the complementarity constraints. The system in Fig. 5 (c) may model a simplified building structure (the interface law between the blocks can be chosen so as to comply with experimental setups). Similarly to the systems in Fig. 3 (a) and 4 (b), the underactuation degree of this system is large. Its dynamics is similar to (48), with augmented object's dynamics in (48) (a) (b) (c). The feedback control in such frictional oscillators, may be to stabilize in a robots way peculiar motions

like sticking of the blocks in Fig. 44 (c), or on the contrary almost-always-sliding motions for the system in Fig. (48) (a): this depends on the application in mind. Frictional oscillators can be seen as a simplified case of more complex systems like split-belt rimless wheels [164], which in addition involve impacts. In such systems it is the belt speed difference that may be considered as the control input.

3.3 Jumping, Hopping, Running and Walking Robot

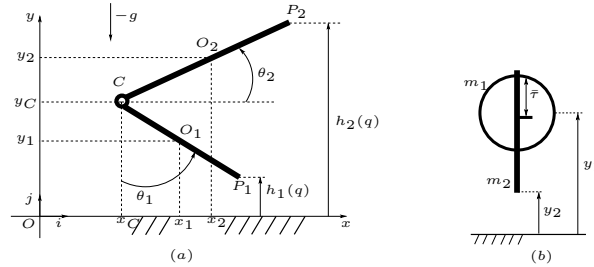


Figure 6: Jumping/running/walking robots.

Let us consider the jumping robot in Fig. 6 (a), sometimes referred to as the simplest walking model [165].

3.3.1 The Dynamics

It is assumed that the links' masses m_1 and m_2 are lumped at O_1 and O_2 , respectively. The center of mass G has coordinates (x, y) in the Galilean frame (O, i, j) . Both tips P_1 and P_2 are potential contact/impact points, with associated gap functions $h_1(q)$ and $h_2(q)$, and Coulomb's friction. The system has four degrees of freedom (when airborne), the torque applied at the joint C is τ , and the generalized coordinate vector is chosen as $q = (x, y, \theta_1, \theta_2)^\top$. Notations are: $\|CO_1\| = l_1$, $\|CO_2\| = l_2$, $\|O_1P_1\| = l_3$, $\|O_2P_2\| = l_4$. The dynamics is given as:

$$\left\{ \begin{array}{l} (m_1 + m_2)\ddot{x} = \lambda_{t,1} + \lambda_{t,2}, \\ (m_1 + m_2)\ddot{y} = \lambda_{n,1} + \lambda_{n,2} - (m_1 + m_2)g, \\ \frac{m_1 m_2}{m_1 + m_2} (l_1^2 \ddot{\theta}_1 + l_1 l_2 \sin(\theta_2 - \theta_1) \ddot{\theta}_2 + l_1 l_2 \cos(\theta_2 - \theta_1) \dot{\theta}_2^2) = \frac{\partial h}{\partial \theta_1} \lambda_n + \tau + \left(l_1 + l_3 - \frac{m_1 l_1}{m_1 + m_2} \right) \cos(\theta_1) \lambda_{t,1} \\ \quad - \frac{m_1 l_1}{m_1 + m_2} \cos(\theta_1) \lambda_{t,2}, \\ \frac{m_1 m_2}{m_1 + m_2} (l_1 l_2 \sin(\theta_2 - \theta_1) \ddot{\theta}_1 + l_2^2 \ddot{\theta}_2 - l_1 l_2 \cos(\theta_2 - \theta_1) \dot{\theta}_1^2) = \frac{\partial h}{\partial \theta_2} \lambda_n - \tau + \frac{m_2 l_2}{m_1 + m_2} \sin(\theta_2) \lambda_{t,1} \\ \quad - \left(l_2 + l_4 - \frac{m_2 l_2}{m_1 + m_2} \right) \sin(\theta_2) \lambda_{t,2}, \\ 0 \leq \lambda_{n,1} \perp h_1(q) \geq 0, \quad 0 \leq \lambda_{n,2} \perp h_2(q) \geq 0, \\ h_1(q) = \frac{m_2}{m_1 + m_2} (-l_1 \cos(\theta_1) - l_2 \sin(\theta_2)) - l_3 \cos(\theta_1) + y \\ h_2(q) = \frac{m_1 l_1}{m_1 + m_2} \cos(\theta_1) + \left(l_2 + l_4 - \frac{m_2 l_2}{m_1 + m_2} \right) \sin(\theta_2) + y \\ \lambda_{t,i} \in -\mu_i \lambda_{n,i} \operatorname{sgn}(\dot{x}_{P_i}), \quad i = 1, 2. \end{array} \right. \quad (49)$$

The matrix $M(q) \in \mathbb{R}^{4 \times 4}$ is singular at $\theta_2 - \theta_1 = \pm \frac{\pi}{2}$, when the system is completely stretched or completely folded. Let $m(t) = \frac{m_1 m_2}{m_1 + m_2} \left(l_1^2 \dot{\theta}_1 + l_2^2 \dot{\theta}_2 + l_1 l_2 (\dot{\theta}_1 + \dot{\theta}_2) \sin(\theta_2 - \theta_1) \right)$. When the robot is airborne ($h_1(q) > 0$ and $h_2(q) > 0$), then adding the third and fourth lines of the dynamics yields $\dot{m}(t) = 0$ hence $m(t) = m(0)$ for all $t \geq 0$, which corresponds to the conservation of the system's angular momentum with respect to the center

of mass (the control torque τ is an internal torque which works on $\delta\theta_1 - \delta\theta_2$). In the general case:

$$\begin{aligned} \dot{m}(t) = & \left(\frac{\partial h}{\partial \theta_1} + \frac{\partial h}{\partial \theta_2} \right) \lambda_n + \left(\left(l_1 + l_3 - \frac{m_1 l_1}{m_1 + m_2} \right) \cos(\theta_1) + \frac{m_2 l_2}{m_1 + m_2} \sin(\theta_2) \right) \lambda_{t,1} \\ & - \left(\left(l_2 + l_4 - \frac{m_2 l_2}{m_1 + m_2} \right) \sin(\theta_2) - \frac{m_1 l_1}{m_1 + m_2} \cos(\theta_1) \right) \lambda_{t,2} \end{aligned} \quad (50)$$

Therefore the angular momentum can change only through the normal and tangential multipliers action (in particular at impacts, but persistent contact also influences it). Doing the analogy with (1): $q_1 = (x, y)^\top$, and $q_2 = (\theta_1, \theta_2)^\top$, where the robot's dynamics is underactuated (the momentum conservation indicates that the airborne system has reduced controllability [166], since the state can be controlled only on the submanifold $m(\theta_1, \theta_2, \dot{\theta}_1, \dot{\theta}_2) = m(0)$). One may also choose $q_1 = (x, y, m)^\top$ as the object's uncontrolled coordinate, with a robot's dynamics involving $F_2(\theta_1, \theta_2, \dot{\theta}_1, \dot{\theta}_2)$. This does not exactly fit with (1), but the angular momentum control may (or may not) be an objective [167, 23].

3.3.2 Comments

The dynamics in (49), with impact and friction models, can be used for modelling jumping (vertical motion of the center of mass G with contact/impact at P_1 , or using both feet as human beings do), running (succession of bounces at P_1 and P_2 , horizontal and vertical motion of G , airborne system between impacts) or walking (succession of steps with at least one tip P_1 or P_2 in persistent contact during a step, see [24, 23, 25, 26] for surveys of walking bipeds dynamics and control). Though the two-link jumper is a simplified model, the above global properties hold for more complex kinematic chains, where the center of mass' dynamics is subject only to external forces like gravity and thus plays the role of the object in (1), while the total angular momentum with respect to the center of mass is conserved when the system is airborne (as a consequence of the Fundamental Principle of Dynamics, see, *e.g.*, [7, sect. 3.2.3], a fact noticed at least since [168] in the biped and quadruped robots literature, yielding the *centroidal dynamics* [27, 169, 170] [29, Equation (11)] [30, Equation (3)] [171, section III.A] [172]). The angular momentum preservation is also present in monopods with rotating nody and one leg [173, 174, 175]: a leg rotation necessarily produces a body rotation. The dynamics of a space structure as in [176, Equation (3)] fit with (1) when there are no forces acting at the satellite base, the object corresponds to the ODE of the structure's angular momentum, similarly to (50).

How to control the robot's dynamics with input τ , in order to shape the multipliers to control the object, the multipliers being calculated using the contact problem (see section 2.1)? The control properties may change significantly depending on the system's topology and placement of the actuators, however. Certainly walking with only one actuator at C (the so-called *compass gait* [23]), is quite different from walking with ankles' actuators at P_1 and P_2 , though in both cases friction plays a crucial role. In the first case, the jumper with sticking foot P_1 is an acrobot [177], with reduced controllability properties. In the acrobot case the robot's dynamics (1) (b) is underactuated until the next impact at P_2 . Using the same angles θ_1 and θ_2 , the reduced-order dynamics with totally-sticking P_1 and unilateral contact due to P_2 can be deduced from (49) (the controller has to verify constraints so that sticking persists, see section 2.1.2). The same developments hold, of course, when P_2 is in persistent contact and P_1 is airborne. It is often preferred in the Biped Locomotion scientific community, to derive the angular momentum of the system with respect to its center of mass $H_{S/G}$ [23, 178], and to combine it with the Newton dynamics at G . Whether or not, and how, the angular momentum could be controlled, is still discussed. The transformation based on (12) (see section 2.3) can be applied when P_1 and/or P_2 are sticking.

3.3.3 Hoppers and Jugglers

Consider (28), and choose $z_1 = q_1$, $z_2 = q_1 - q_2$. Let $m = \frac{m_1}{m_2}$, $\bar{m}_1 = \frac{1}{m_1}$, $\bar{m}_2 = \frac{1}{m_2}$, $\tau = m_2g + \bar{\tau}$. Then (28) becomes:

$$\begin{cases} \ddot{z}_1 + g = \bar{m}_1 \lambda_n \\ \ddot{z}_2 = -(1+m)\bar{m}_1 \lambda_n + \bar{m}_2 \bar{\tau} \\ 0 \leq \lambda_n \perp h(q) = q_1 - q_2 \geq 0 \\ \dot{z}_2(t_k^+) = -e_n \dot{z}_2(t_k^-) \text{ if } z_2(t_k) = 0 \text{ and } \dot{z}_2(t_k^-) \leq 0. \end{cases} \quad (51)$$

Consider now the one-dof hopper in Fig. 6 (b). Its dynamics in the coordinates (z_1, z_2) with $z_2 = y_2$ and $z_1 = \frac{m_1}{m_1+m_2}y_1 + \frac{m_2}{m_1+m_2}y_2$, $\bar{m}_1 = \frac{1}{m_1+m_2}$, is the same as that of the one-dof juggler in (28) [13, Remark 1]. This is a motivation to transfer the results obtained for the one-dof juggler as in section 3.1 and [145], to the hopper, and *vice-versa* as alluded to above, this analogy is extended in [68] to bipedal locomotion and juggling systems, with a common control strategy). More complex jumping robots with 6 degrees of freedom and nonlinear dynamics can be recast directly into (1), see [179, Equations (4)-(10)]. The analogy between running bipeds and juggling systems, which both consist of controlling the ‘‘object’’ apex height [180], is clear. Hoppers and jugglers relationships are pointed out in [181, 13]. Hoppers can be inertially actuated using springs which store potential energy and release it quickly [182, 183] and thus recast in section 3.5. Various types of internal mechanisms for creating hopping motions have been designed [183, Table I]. Passive hoppers and jugglers (with same dynamics) are studied in [184].

3.4 The Ringing Bell

Let us consider the ringing bell in Fig. 7. Its dynamics is given by:

$$\begin{cases} (m_1 l_1^2 + m_2 l_3^2) \ddot{\theta}_1 + m_2 l_2 l_3 \cos(\theta_1 - \theta_2) \ddot{\theta}_2 + m_2 l_2 l_3 \sin(\theta_1 - \theta_2) \dot{\theta}_2^2 + m_1 l_1 g \sin(\theta_1) \\ \quad = \tau_1 + \tau_2 + \frac{\partial h_1}{\partial \theta_1} \lambda_{n,1} + \frac{\partial h_2}{\partial \theta_1} \lambda_{n,2} \\ m_2 l_2 l_3 \cos(\theta_1 - \theta_2) \ddot{\theta}_1 + m_2 l_2^2 \ddot{\theta}_2 - m_2 l_2 l_3 \sin(\theta_1 - \theta_2) \dot{\theta}_1^2 + m_2 (l_1 \sin(\theta_1) + l_2 \sin(\theta_2)) g \\ \quad = -\tau_2 + \frac{\partial h_1}{\partial \theta_2} \lambda_{n,1} + \frac{\partial h_2}{\partial \theta_2} \lambda_{n,2} \\ 0 \leq \lambda_{n,1} \perp h_1(q) = l_4 + l_2 \sin(\theta_1 - \theta_2) \geq 0 \\ 0 \leq \lambda_{n,2} \perp h_2(q) = l_4 + l_2 \sin(\theta_2 - \theta_1) \geq 0, \end{cases} \quad (52)$$

Let $\|OC\| = l_3$, $\|CG_2\| = l_2$, $\|OG_1\| = l_1$, G_1 is the bell’s body center of mass, G_2 is the clapper’s center of mass (its mass is supposed to be concentrated at G_2). The torque τ_2 is an internal action. The system’s angular momentum with respect to the joint O is denoted $H_{S/O}$. It satisfies:

$$\frac{d}{dt} H_O = \tau_1 - m_1 l_1 g \sin(\theta_1) - m_2 (l_1 \sin(\theta_1) + l_2 \sin(\theta_2)) g. \quad (53)$$

It does not depend on the contact/impact forces which are internal actions. Let now $\tau_2 = 0$. If the body and the clapper have the same attachment point, *i.e.*, $C = O$ and $l_3 = 0$, then the bell’s dynamics is (see [185] for a more complete model):

$$\begin{cases} (a) m_1 l_1 (l_1 \ddot{\theta}_1 + g \sin(\theta_1)) = \tau_1 + \left(\frac{\partial h_1}{\partial \theta_1}, \frac{\partial h_2}{\partial \theta_1} \right) \lambda_n \\ (b) \dot{H}_{S/O} = \tau_1 - m_1 l_1 g \sin(\theta_1) - m_2 (l_1 \sin(\theta_1) + l_2 \sin(\theta_2)) g \\ (c) m_2 l_2^2 \ddot{\theta}_2 + m_2 (l_1 \sin(\theta_1) + l_2 \sin(\theta_2)) g = \left(\frac{\partial h_1}{\partial \theta_2}, \frac{\partial h_2}{\partial \theta_2} \right) \lambda_n \\ 0 \leq \lambda_{n,1} \perp h_1(q) = l_4 + l_2 \sin(\theta_1 - \theta_2) \geq 0 \\ 0 \leq \lambda_{n,2} \perp h_2(q) = l_4 + l_2 \sin(\theta_2 - \theta_1) \geq 0 \end{cases} \quad (54)$$

It is inferred that (54) (a) (b) is an underactuated controlled dynamics, while (54) (c) is uncontrolled. Though this is not the canonical form (1), this may be named a *pseudo robot-object system*, see section 3.9 for another example.

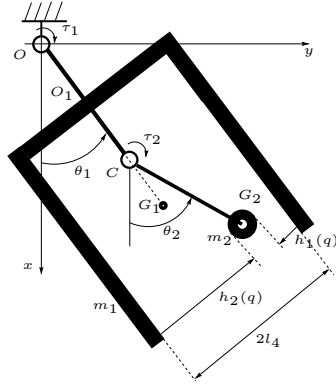


Figure 7: The ringing bell.

3.5 Inertially Driven Machines

Inertially driven machines are robots equipped with internal mechanisms which modify their inertial properties in order to produce motion thanks to the constraints, hence their gravity center is unactuated (they can be seen as extensions of underactuated robots like the acrobot and pendubot, see (91)). Contrarily to self-propelled capsules (section 3.8) the internal mechanisms are not vibro-impact systems, they aim at modifying the configuration in a cat-like way, *i.e.*, controlling (1) (b) when $\lambda_n = 0$, $\lambda_t = 0$, while (1) (a) evolves freely, while some quantities are conserved, like the momentum for (49) (50) (hence significantly different from the robot part of (55) or (65), for instance). They may also be used in persistent contact with friction: the internal mechanism is meant to act on some velocities in order to produce suitable inertial forces (Coriolis or centripetal) which in turn act on the remaining coordinates so that motion is controlled. They have received some attention in the literature [186, 187, 188, 179, 189, 190, 191, 192, 193, 194, 182, 195] [195, Table I], and it is recognized that they also can be used in biped locomotion during flight phases to improve the stability [196]. The fact that they belong to robot-object systems was already noticed in [2, section 8.7.1]. The one-dof hopper in Fig. 6 (b) belongs to this class, and we have seen in section 3.3.3 that it can be recast into the one-dof juggling system after a suitable transformation. The hopper+spinners dynamics in [179, equations (4)–(10)] fit with (1) (a) (b) in airborne mode ($\lambda_n = 0$ and $\lambda_t = 0$).

Once the dynamics as (1) is obtained, the fact that the control τ actuates an additional mechanism that is meant to produce inertial effects (and is thus not *per se* part of the main system itself, like added spinners in [179]), or that it actuates joints (like in a biped robot), may not be a fundamental issue. All that one has to pay attention to, are the controllability properties of the resulting robot dynamics (1) (b). The interesting question, is whether or not the controllability properties (taken here in a broad sense) are better with joint actuators or with added inertial mechanisms.

The case of spherical robots (also named Chaplygin's spheres) has received attention in [197, 198, 199, 200, 201]. They are inertially driven machines whose goal is to roll without slipping in all directions. The dynamics of a spherical robot with internal omniwheel action in [197, Equation (4.1)] exactly fits with (1). It is shown in [201, Equations (2.21) (2.22)] that the sticking dynamics can be reduced, eliminating contact multipliers and using angular momentum conservation, to (1) (a) (b) without contact forces: $\ddot{q}_1 = 0$, $\ddot{q}_2 = \tau$. It is assumed that the frictional contact is always sticking (creating a nonholonomic bilateral constraint as in (12)), and this makes the major difference between these studies and the ones just above, as well as with self-propelled capsules in section 3.8. Hence it is the dynamics (17) which is analyzed. Many different internal mechanisms have been imagined [79].

Further examples are presented in C, see Fig. 19 (b) (c) (d).

3.6 Manipulation Systems

Manipulation of objects can be dexterous, prehensile, nonprehensile, grasping, *etc*, depending on the objectives of the task and on the type of controlled robot.

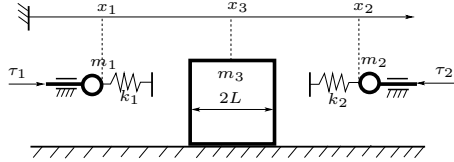


Figure 8: Manipulation with collisions.

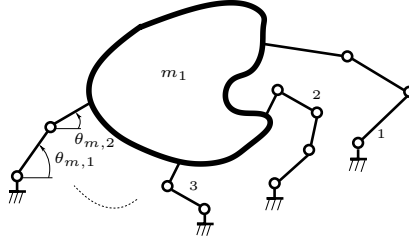


Figure 9: Prehensile manipulation.

3.6.1 Manipulation through Collisions

Let us consider the manipulation system in Fig. 8, which is a simple example of impulsive manipulation [202, 109, 108] (the systems in Fig. 3 (b) and 5 can also be used on that purpose). The contacts are modeled by linear springs instead of unilateral constraints. The springs have lengths l_1 and l_2 at rest. Friction acts between mass m_3 and the ground, with coefficient $\mu_3 \geq 0$. The dynamics is given by the LCS:

$$\begin{cases} m_1 \ddot{x}_1 = \lambda_{n,1} + \tau_1 \\ m_2 \ddot{x}_2 = -\lambda_{n,2} + \tau_2 \\ m_3 \ddot{x}_3 = -\lambda_{n,1} + \lambda_{n,2} + \lambda_{t,3} \\ 0 \leq \lambda_{n,1} \perp \lambda_{n,1} - k_1(x_1 + l_1 - x_3 + L) \geq 0 \\ 0 \leq \lambda_{n,2} \perp \lambda_{n,2} - k_2(x_3 + L - x_2 + l_2) \geq 0 \\ \lambda_{t,3} \in -\mu_3 m_3 g \operatorname{sgn}(\dot{x}_3). \end{cases} \quad (55)$$

Defining $q_1 = x_3$, $q_2 = (x_2, x_3)^\top$ allows to recast the dynamics into (1). Using Convex Analysis (see (3) and (4)), it follows that (55) is equivalently rewritten as

$$\begin{cases} m_1 \ddot{x}_1 = \operatorname{proj}[\mathbb{R}_+; k_1(x_1 + l_1 - x_3 + L)] + \tau_1 \\ m_2 \ddot{x}_2 = -\operatorname{proj}[\mathbb{R}_+; k_2(x_3 + L - x_2 + l_2)] + \tau_2 \\ m_3 \ddot{x}_3 = -\operatorname{proj}[\mathbb{R}_+; k_1(x_1 + l_1 - x_3 + L)] + \operatorname{proj}[\mathbb{R}_+; k_2(x_3 + L - x_2 + l_2)] + \lambda_{t,3} \\ \lambda_{t,3} \in -\mu_3 m_3 g \operatorname{sgn}(\dot{x}_3). \end{cases} \quad (56)$$

which is a standard Filippov's DI with a Lipschitz continuous single-valued right-hand side. Actually (56) is the counterpart of (6).

Remark 5 *This example and the self-propelled capsule in Fig. 12 (b) illustrate the fact that complementarity systems encompass also compliant contact/impact [6, Chapter 2][5, 203]. Then the complementarity conditions in (1) have to be modified with $h(q_1, q_2, \lambda_n)$. Hence (1) can be used for modeling the manipulation of deformable objects [204] (as long as the basic assumptions for complementarity hold [6, sect. 5.4]). Hopping machines have most of the time been modeled with compliant spring-dashpot models [60, 171, 205, 182] (named spring-loaded inverted pendulum SLIP). Encapsulating it into a complementarity framework is doable. Moreover considering a rigid contact yields a nonsmooth potential function (an indicator function), and may pave the way towards the extension of energy and power-based modeling [206] in a nonsmooth framework.*

Let us assume now that $m_1 = m_2 = 0$, massless springs, and the springs' positions are imposed as $x_i(t) = u_i(t)$, $i = 1, 2$. The dynamics is given by:

$$\begin{aligned} m_2 \ddot{x}_3 &= -\lambda_{n,1} + \lambda_{n,2} + \lambda_{t,3} \\ 0 &\leq \lambda_{n,1} \perp \lambda_{n,1} - k_1(u_1(t) + l_1 - x_3 + L) \geq 0 \\ 0 &\leq \lambda_{n,2} \perp \lambda_{n,2} - k_2(x_3 + L - u_2(t) + l_2) \geq 0 \\ \lambda_{t,3} &\in -\mu_3 m_3 g \operatorname{sgn}(\dot{x}_3). \end{aligned} \tag{57}$$

This system has no robot's dynamics (1) (b), and the controllers $u_1(\cdot)$ and $u_2(\cdot)$ enter the complementarity variable $h(q, \lambda_n, u(t))$. Using again the equivalence between (3) and (4), it appears that the system in (57) is nonsmooth nonlinear (PWL) in the input, equivalently rewritten as:

$$m_2 \ddot{x}_3 \in -\max(0, -k_1(u_1(t) + l_1 - x_3 + L) + \max(0, -k_2(x_3 + L - u_2(t) + l_2) - \mu_3 m_3 g \operatorname{sgn}(\dot{x}_3)). \tag{58}$$

Comments We have seen in the introduction that complementarity conditions are associated with a nonsmooth potential function (the indicator of the admissible domain of the configuration space). This means that $\lambda_n \in -\partial U_{\text{unil}}(q) = -\mathcal{N}_{\Phi}(q)$. In case of the above compliant unilateral contact, we have $\lambda_n \in -(I_m + \partial \Psi_{\mathbb{R}_+^m}^{-1})^{-1}(h(q))$. The mapping $(I_m + \partial \Psi_{\mathbb{R}_+^m}^{-1})^{-1}(\cdot)$ is single-valued maximal monotone, hence its inverse $(I_m + \partial \Psi_{\mathbb{R}_+^m}^{-1})(\cdot)$ is maximal monotone as well, and set-valued. The inverse is the sum of two maximal monotone operators, which are the subdifferential of proper, convex, lower semicontinuous functions. From [207, Theorem 23.8], the sum is itself the subdifferential of a proper, convex and lower semicontinuous function $g(\cdot)$. Hence $(I_m + \partial \Psi_{\mathbb{R}_+^m}^{-1})^{-1}(\cdot) = (\partial g)^{-1}(\cdot) = \partial g^*(\cdot)$, where $g^*(\cdot)$ is the conjugate function of $g(\cdot)$. Therefore $\nabla h(q) \lambda_n \in -\nabla h(q) \partial g^*(h(q)) = \partial(g^* \circ h)(q)$, which defines the nonsmooth potential from which the contact force derives. The dribbling system in Fig. 3 (c) is another variant of (55).

3.6.2 Prehensile Manipulation

Let us consider the simple manipulation system in Fig. 9, with $m \geq 1$ fingers. When m is large enough, grasping yields specific notions like form closure ($\mu_i = 0$ and $\operatorname{rank} \frac{\partial h}{\partial q_1} = n_1 \leq m - 1$ [208, sect. 12.1], to insure $F_1(q_1, 0, t) = \frac{\partial h}{\partial q_1} \lambda_n$ for any $F_1(q_1, 0, t)$, and $\lambda_n \geq 0$), force closure ($\mu_i > 0$, $1 \leq i \leq m$ [208, sect. 12.2.3]), and caging [14, 209]. The dynamics perfectly fits within (1), where the object is itself ($n_1 = 3$ for 2D objects, $n_1 = 6$ for 3D objects), and the robot gathers all the "fingers". We see that one difference between (49) (50) and manipulation, lies in the object's state definition.

3.6.3 Nonprehensile Manipulation by Friction

Objects can be manipulated in a nonprehensile way using impacts with a robot (see section 3.6.1), but also using only friction as in Fig. 10 (b) (just as for the system in Fig. 5 (b)) [153], as in rolling manipulation [210, 94]. In such applications, sticking and slipping modes have to be carefully modeled, yielding necessarily set-valued friction (friction cone). The case of the juggler in Fig. 10 (a) with periodic trajectories with impacts

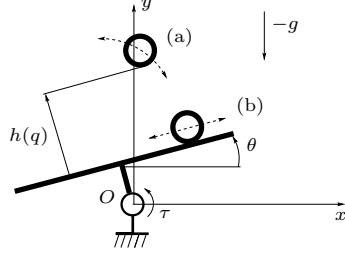


Figure 10: Nonprehensile manipulation: (a) juggling, (b) sticking/slipping/rolling.

has been studied, *e.g.*, in [211]. The nonprehensile control system studied in [212] is a 3D version of Fig. 10. It typically belongs to (1) with persistent contact, *i.e.*, it is assumed that $\lambda_n(t) > 0$ for all $t \geq 0$.

Dynamics it is given by:

$$\begin{cases} (a) m_1 \ddot{x} = -\sin(\theta)\lambda_n - \cos(\theta)\lambda_t \\ (b) m_1 \ddot{y} = \cos(\theta)\lambda_n - \sin(\theta)\lambda_t - m_1 g \\ (c) I \ddot{\theta} = (-x \cos(\theta) - y \sin(\theta))\lambda_n - m_1 g \cos(\theta)(x \cos(\theta) + y \sin(\theta)) + \tau \\ 0 \leq \lambda_n \perp h(q) = -x \sin(\theta) + y \cos(\theta) \geq 0 \\ \lambda_t \in -\mu \lambda_n \operatorname{sgn}(v_t), \quad v_t = -\dot{x} \cos(\theta) - \dot{y} \sin(\theta), \end{cases} \quad (59)$$

where I is the table's moment of inertia.

All-sticking conditions Let $h(q(0)) = 0$, $\dot{h}(q(0), \dot{q}(0)) = 0$, $v_t = 0$. Persistent contact holds if $\lambda_n > 0$, which implies using the CP (see section 2.1):

$$\begin{aligned} 0 \leq \lambda_n \perp \ddot{h}(q) &= \left(\frac{1}{m_1} + \frac{1}{I}(x \cos(\theta) + y \sin(\theta))^2 \right) \lambda_n \\ &+ g(-\cos(\theta) + \frac{m_1}{I}(x \cos(\theta) + y \sin(\theta))^2 \cos(\theta)) \\ &- \frac{1}{I}(x \cos(\theta) + y \sin(\theta))\tau \geq 0 \end{aligned} \quad (60)$$

This contact LCP always has a unique solution λ_n , and it provides the constraint to be verified by τ so that persistent contact holds (this is an extension of the constraint derived in section 3.1.2):

$$g(-\cos(\theta) + \frac{m_1}{I}(x \cos(\theta) + y \sin(\theta))^2 \cos(\theta)) - \frac{1}{I}(x \cos(\theta) + y \sin(\theta))\tau < 0. \quad (61)$$

Tangential sticking persists if and only if $\dot{v}_t = 0$, *i.e.*:

$$\dot{v}_t = \frac{1}{m_1}\lambda_t + g \sin(\theta) + \dot{x}\dot{\theta} \sin(\theta) - \dot{y}\dot{\theta} \cos(\theta) = 0. \quad (62)$$

Normal sticking holds if and only if (5) holds, where $G(q, \dot{q}, t) + \tilde{\tau} = g(-\cos(\theta) + \frac{m_1}{I}(x \cos(\theta) + y \sin(\theta))^2 \cos(\theta)) - \frac{1}{I}(x \cos(\theta) + y \sin(\theta))\tau = f(q) - g(q)\tau$. Hence the inclusion $\lambda_t \in [-\mu\lambda_n, \mu\lambda_n]$ and (62) furnish a second constraint to be fulfilled by τ :

$$d(q) \triangleq m_1(g \sin(\theta) + \dot{x}\dot{\theta} \sin(\theta) - \dot{y}\dot{\theta} \cos(\theta)) \in \mu D_{nn}(q)^{-1}(f(q) - g(q)\tau) [-1, 1], \quad (63)$$

which yields if $g(q) > 0$ (this holds if the puck is in the first quadrant and $\theta \in [0, \frac{\pi}{2}]$):

$$\tau < \frac{f(q)}{g(q)} - \frac{1}{\mu} D_{nn}(q) \frac{|d(q)|}{g(q)}. \quad (64)$$

The inequalities in (61) and (64) are the two constraints to be verified by the robot's input τ so that total sticking of the object on the table holds. See section 2.1.2 for general derivations.

Comments The object in (59) (a) (b) is controllable with input (λ_n, λ_t) since the “input” matrix has full rank 1. The robot in (59) (c) is controllable with input τ . However controllability may not hold due to input constraints, and *contact controllability* [3] is a better notion. The control design may be tackled with a backstepping approach as alluded to above: 1) design desired multipliers, 2) use the contact problem to deduce the controller τ , 3) check the constraints. This is the design approach in [212]. The prehensile manipulation in Fig. 9 certainly allows for more all-sticking object’s motions, since m is larger (the object is over-controllable with the multipliers) as well as n_2 . Interestingly, the cable-driven rocking block studied in [213] may be situated in-between frictional oscillators (section 3.2) and nonprehensile manipulation. The cables are actuated (robot) while the block (object) is subjected to ground interaction and interaction with the cables. As discussed in [6, Example 1.6, Remark 8.7], nonextensible cables can be modeled with complementarity and the control problem is specific. The manipulation system analysed in [214] belongs to the same class.

3.7 Dimer (vibration-driven) Locomotion

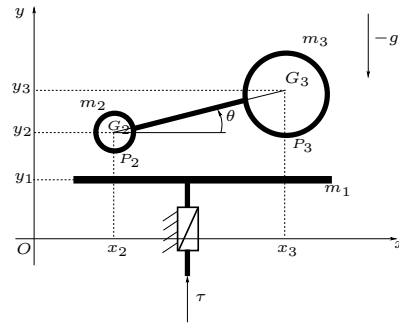


Figure 11: A 2-dimensional dimer.

Let us consider the dimer bouncing on a vibrating table, with Coulomb’s friction at contacts. This is another extension of the one dof juggler in Fig. 3 (a). Several studies have been led which prove that under sinusoidal $y_1(t)$, the dimer can have different trajectories: jumping vertically, jumping in forward or in backward horizontal motion [215, 216, 99, 217]. The two balls with radii r_2 and r_3 are related by a massless rigid rod, $\|G_2G_3\| = l$, $q = (x, y, \theta, y_1)^\top$, x and y are the dimer’s center of mass coordinates. Its dynamics is given by:

$$\left\{ \begin{array}{l} (a) \quad (m_2 + m_3)\ddot{x} = \lambda_{t,2} + \lambda_{t,3} \\ (b) \quad (m_2 + m_3)\ddot{y} = -(m_2 + m_3)g + \lambda_{n,2} + \lambda_{n,3} \\ (c) \quad m_2m_3l^2\ddot{\theta} = -m_3l \cos(\theta)\lambda_{n,2} + m_2l \cos(\theta)\lambda_{n,3} + m_3l \sin(\theta)\lambda_{t,2} - m_2l \sin(\theta)\lambda_{t,3} \\ (d) \quad m_1\ddot{y}_1 = -m_1g + \tau - \lambda_{n,2} - \lambda_{n,3} \\ 0 \leq \lambda_{n,2} \perp h_2(q) = y - y_1 - \frac{m_3}{m_2+m_3}l \sin(\theta) \geq 0 \\ 0 \leq \lambda_{n,3} \perp h_3(q) = y - y_1 + \frac{m_2}{m_2+m_3}l \sin(\theta) \geq 0 \\ v_{t,2} = \dot{x} + \frac{m_3}{m_2+m_3}l\dot{\theta} \sin(\theta), v_{t,3} = \dot{x} - \frac{m_2}{m_2+m_3}l\dot{\theta} \sin(\theta) \\ \lambda_{t,i} \in -\mu_i \lambda_{n,i} \operatorname{sgn}(v_{t,i}), \quad i = 2, 3 \end{array} \right. \quad (65)$$

where $y_{P_2} - y_1 = h_2(q)$, $y_{P_3} - y_1 = h_3(q)$, $q_1 = (x, y, \theta)^\top$. If the dimer impacts sequentially at P_2 and P_3 , the percussions $p_{n,2}(t_k)$ and $p_{n,3}(t_k)$ can be considered as independent inputs, which act in both normal and tangential directions due to friction. Then the object in (65) (a)–(c) has two independent inputs. When both contacts are persistent, then $\theta = \arcsin(\frac{r_3-r_2}{l})$, $\dot{\theta} = 0$ and $v_{t,2} = v_{t,3} = \dot{x}$, and $\ddot{\theta} = 0$ so that $-m_3 \cos(\theta)\lambda_{n,2} + m_2 \cos(\theta)\lambda_{n,3} + m_3 \sin(\theta)\lambda_{t,2} - m_2 \sin(\theta)\lambda_{t,3} = 0$. Assume that both contacts slide, hence $\lambda_{t,2} = -\mu_2 \lambda_{n,2} \xi$, $\lambda_{t,3} = -\mu_3 \lambda_{n,3} \xi$, $\xi = \operatorname{sgn}(\dot{x})$. Thus $-m_3(\cos(\theta) + \mu_2 \sin(\theta))\lambda_{n,2} + m_2(\cos(\theta) + \mu_3 \sin(\theta))\lambda_{n,3} = 0$. Assume

$\cos(\theta) + \mu_2 \sin(\theta) \neq 0$, then $\lambda_{n,2} = \frac{m_2(\cos(\theta) + \mu_3 \sin(\theta))}{m_3(\cos(\theta) + \mu_2 \sin(\theta))} \lambda_{n,3}$. Also persistent contact at both contact points implies $\dot{y} = 0$ and $\ddot{y} = 0$ so that $(m_2 + m_3)g = \lambda_{n,2} + \lambda_{n,3} = \left(\frac{m_2(\cos(\theta) + \mu_3 \sin(\theta))}{m_3(\cos(\theta) + \mu_2 \sin(\theta))} + 1 \right) \lambda_{n,3}$. Hence $\lambda_{n,3}$ is positive constant, so is $\lambda_{n,2}$, and $\lambda_{t,2} + \lambda_{t,3}$ is proportional to $\text{sgn}(\dot{x})$: if $\dot{x}(0) \neq 0$, the system converges in a finite time to $\dot{x} = 0$.

This simple analysis shows that the contact problem (see section 2.1) can modify significantly the object's controllability from the multipliers. The rigid dimer is not suitable for control without impacts, it is to be considered as a vibro-impact system.

3.8 Crawling machines with internal control action

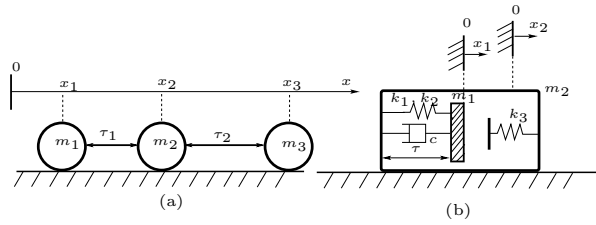


Figure 12: (a) A simple crawling machine and (b) a self-propelled capsule.

Some devices are designed such that they can achieve locomotion through internal forces or torques, where the primary effect that allows for the object's motion is friction. As such they belong to inertially driven robots (section 3.5), but only frictional effects act between the robot and the object. Snake robots, self-propelled capsules belong to this class of robot-object systems [218, 219, 33, 220, 221, 222, 101, 100, 35, 117, 223], which are able to be controlled in stationary, forward and/or backward motions. A simplified crawling robot is depicted in Fig. 12 (a). Assume to simplify that the contact is persistent. The center of mass coordinate is $q_1 = \frac{m_1 x_1 + m_2 x_2 + m_3 x_3}{m_1 + m_2 + m_3}$. Letting $q_2 = (x_2, x_3)$, the dynamics is:

$$\begin{cases} (m_1 + m_2 + m_3) \ddot{q}_1 = (1, 1, 1) \lambda_t \\ \begin{pmatrix} m_2 & 0 \\ 0 & m_3 \end{pmatrix} \ddot{q}_2 = \begin{pmatrix} -1 & -1 \\ 0 & 1 \end{pmatrix} \tau + \begin{pmatrix} 0 & 1 & 0 \\ 0 & 0 & 1 \end{pmatrix} \lambda_t \\ \lambda_{t,1} \in -\mu_1 m_1 g \text{sgn}((m_1 + m_2 + m_3) \dot{q}_1 - (m_2, m_3) \dot{q}_2) \\ \lambda_{t,i} \in -\mu_i m_i g \text{sgn}(\dot{x}_i), \quad i = 2, 3, \end{cases} \quad (66)$$

with $\lambda_t = (\lambda_{t,1}, \lambda_{t,2}, \lambda_{t,3})^\top$. Plastic impacts representing minimum and maximum extensions with masses swapping can be introduced [220]. The dynamics of a self-propelled capsule with internal control action τ [219] depicted in Fig. 12 (b) is given after transformations by:

$$\begin{cases} m_1 \ddot{x}_1 + m_2 \ddot{x}_2 = -\lambda_t \\ m_2 \ddot{x}_2 = \tau + k_1(x_1 - x_2) + k_2(x_1 - x_2)^3 + c(\dot{x}_1 - \dot{x}_2) + \lambda_n - \lambda_t \\ \lambda_t \in -\mu(m_1 + m_2)g \text{sgn}(\dot{x}_2) \\ 0 \leq \lambda_n \perp \lambda_n - k_3(x_1 - x_2 - l) \geq 0 \end{cases} \quad (67)$$

where x_1 and x_2 are the coordinates of the internal mass m_1 and of the frame body with mass m_2 , in a Cartesian frame, $l > 0$ is the gap when springs are at rest, $\mu > 0$ is the friction coefficient between the frame body and the ground, $k_1 > 0$, $k_2 > 0$ accounts for nonlinear spring. Here we may choose $q_1 = \frac{m_1 x_1 + m_2 x_2}{m_1 + m_2}$, $q_2 = x_2$ to fit with (1), getting the object's dynamics $(m_1 + m_2) \ddot{q}_1 = -\lambda_t$. Some rotating unbalanced devices can be designed so that the capsule could also detach from the ground, hence impacts between the body and

the ground should be modelled as well. In such a case, the system's angular momentum with respect to its centre of mass is conserved during airborne phases of motion, similarly to (49). In microrobots the input τ in (67) is implemented with wireless resonant magnetic microactuators [100].

Remark 6 *For the systems in both sections 3.7 and 3.8, it is emphasized in relevant literature that anisotropic Coulomb's friction is a crucial property for locomotion. This is also the case for snake robots [224, 225].*

Comments Let us compare (65) with (66) or (67). While horizontal motion in persistent contact is possible for (66) or (67) (the robot's state enters friction), this is not possible for (65) if both contacts are in the all-sticking mode. Indeed let persistent contact hold, then \dot{x} vanishes in finite time for any $\dot{x}(0)$ (see section 3.7). On the contrary in (66) or (67) the robot's state enters the friction force. It does also in (48) with Ω , but it does not in (44): the state of the mass can be controlled only through λ_n . Consider the system in (49), we have $\dot{x}_{P_1} = \dot{x} + (l_1 + l_3 - \frac{m_1 l_1}{m_1 + m_2})\dot{\theta}_1 \cos(\theta_1) + \frac{m_2 l_2}{m_1 + m_2}\dot{\theta}_2 \sin(\theta_2)$. Hence the robot's state enters friction force during all-sticking phases (but the robot itself is underactuated). This short analysis indicates very different behaviours, depending on $H_t^2(q)$ in (12). Let us notice also a big difference between (65) and (67): while the former can move backward, forward or be stationary under sinusoidal excitation [215, 99] (depending on the kinetic angle between the two unilateral constraints), the latter can only move forward or stay stationary [101]. Is this due to impacts, or to the friction model (same or different static and sliding coefficients of friction) ?

3.9 Climbing Machines

There are basically two types of climbing robots that can be recast in (1): primate-like (which use some interlock strategy very close to form closure in manipulation) [226], and snake-like (which use bark furrows to stick) [32, 64, 65]. A 4-leg planar primate-like robot is depicted in Fig. 13 (a), where the legs are clamped to the central body. Let $q_1 = (X, Y)^\top$ be the system's center of mass coordinates, $q_2 = (x, y, \theta_0, \theta_{ij})^\top \in \mathbb{R}^{14}$, with arms' angles θ_{ij} , $1 \leq i \leq 4$, θ_0 is the body's angle, (x, y) are the body's CoM coordinates, $\tau \in \mathbb{R}^{11}$ are the joints' torques, $X = \mathcal{X}(q_2)$, $Y = \mathcal{Y}(q_2)$, the signed distances are $h_i(q_2)$, $1 \leq i \leq 4$. The dynamics is given by:

$$\begin{cases} (a) M_1 \ddot{q}_1 = \begin{pmatrix} 0 \\ -Mg \end{pmatrix} + \frac{\partial h}{\partial q_1}^\top \lambda_n + H_t^1(q) \lambda_t \\ (b) M_2(q_2) \ddot{q}_2 + F_2(q_2, \dot{q}_2) = E\tau + \frac{\partial h}{\partial q_2}^\top \lambda_n + H_t^2(q_2) \lambda_t \\ 0 \leq h_i(q_2) \perp \lambda_{n,i} \geq 0, \quad 1 \leq i \leq 4, \\ \lambda_{t,i} \in -\mu_i \lambda_{n,i} \operatorname{sgn}(v_{t,i}), \quad 1 \leq i \leq 4. \end{cases} \quad (68)$$

The CoM dynamics is in (68) (a). The matrix E is nontrivial and reflects the fact that the control torques τ_i work on $\theta_{i1} - \theta_0$. Notice that (68) (b), which is the system's total Lagrange dynamics with minimal set of coordinates q_2 , contains, in addition to the CoM's dynamics (expressed in the q_2 coordinates), the dynamics of the system's angular momentum with respect to its center of mass, which is conserved if no contact is active, and could also be part of the object's dynamics, hence obtaining a pseudo robot-object system (similarly to the robot in Fig. 6 (a), section 3.3.1). The robot in Fig. 13 (b) is simpler, since the x motion is fixed by a prismatic joint on the main body. Let G be the system's CoM. The object's dynamics is $(m_0 + m_1 + m_2)\ddot{y}_G = -(m_0 + m_1 + m_2)g + H_t^y(q_2)\lambda_t$. The robot's dynamics has the coordinate $q_2 = (\theta_1, \theta_2)^\top$, $E\tau = (0, \tau_1, \tau_2)^\top$.

Comments The dynamics in (68) is redundant since the CoM dynamics in (a) can also be deduced from (b) by differentiating $\mathcal{X}(q_2)$ and $Y = \mathcal{Y}(q_2)$ twice. This does not *a priori* prevents the application of the backstepping algorithm to control (68) (a) through the multipliers. It is a general fact that the set of coordinates (q_1, q_2) in (1) needs not be minimal. Such a climbing robot is a kind of quadruped, with a specific morphology and a specific dynamics (it falls down indefinitely if less than two antagonist contacts are activated). What are the differences and common features between climbers and manipulation systems (sections 3.6.2 and 3.6.3)?

In which case do notions like force and form closure apply to (68) (clearly form closure does not apply to the system in Fig. 13 where friction is necessary to avoid falling down) ? Is such a climbing robot closer to a running/walking quadruped, or to a prehensile manipulation system ? The robot in Fig. 13 (b) is not an inertially driven system (see section 3.5), because the motion of the limbs does not influence, when contacts are deactivated, the CoM's vertical motion. The robot's dynamics is fully actuated, as it is for several systems presented above (see (28), (40), (41), (48), (59)). Can the robot in Fig. 13 (b) climb ? Or can it just go downwards ? Does this depend on the initial angles of the limbs ? Should we consider telescopic limbs with varying lengths ? The similarity between this climbing robot and the crawling machine in (66) is obvious. It would be interesting to analyse all these simple systems more closely to determine accurately which are their discrepancies/common features.

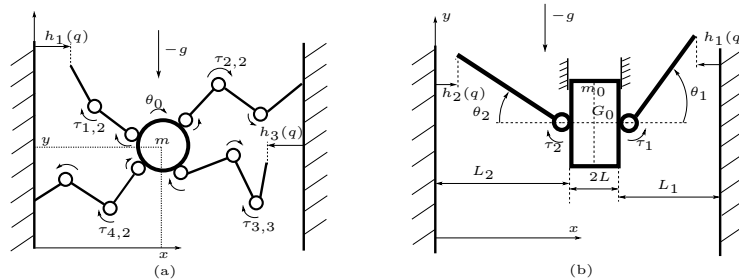


Figure 13: Climbing robots.

3.10 Joint Clearance (Dynamic Backlash)

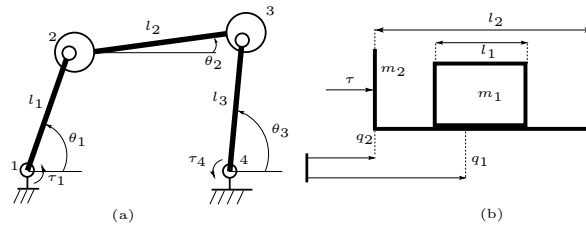


Figure 14: (a) 4-bar mechanism with joint clearance in two revolute joints. (b) Typical clearance in machine tools (impacting pair, impact damper, vibro-impact energy sink).

The dynamics and control of kinematic chains and of machine tools with joint clearance has received considerable attention in the Nonlinear Dynamics, Mechanical Engineering and the Automatic Control scientific communities, see [227, 3, 76, 37, 36, 38, 39, 40, 41, 42, 43, 75] to cite a few. The impacting pair in Fig. 14 (b) has long been recognized as the basic “element” for modelling mechanical play [39], and it can well model clearances in machine tools with translational elements [228, 229] (the presence of clearances has long been known as a performance limitation in machines tools [37, 36]). It is also used in juggling/catching tasks to improve the system’s robustness [134]. The impacting pair encapsulates similar dynamical effects as the drive-train systems [227, 3, 76], and it has also been used for energy sink and damping applications in the Nonlinear

Dynamics scientific community, see [6, section 7.3]. Its dynamics is easily cast into (1):

$$\begin{cases} m_1 \ddot{q}_1 = \lambda_{n,1} - \lambda_{n,2} \\ m_2 \ddot{q}_2 = -\lambda_{n,1} + \lambda_{n,2} + \tau \\ 0 \leq \lambda_{n,1} \perp h_1(q) = q_1 - q_2 \geq 0 \\ 0 \leq \lambda_{n,2} \perp h_2(q) = q_2 + l_2 - q_1 - l_1 \geq 0 \\ (\dot{q}_1 - \dot{q}_2)(t_k^+) = -e_{n,1}(\dot{q}_1 - \dot{q}_2)(t_k^-) \text{ if } h_1(q(t_k)) = 0 \text{ and } (\dot{q}_1 - \dot{q}_2)(t_k^-) \leq 0 \\ (\dot{q}_2 - \dot{q}_1)(t_k^+) = -e_{n,2}(\dot{q}_2 - \dot{q}_1)(t_k^-) \text{ if } h_2(q(t_k)) = 0 \text{ and } (\dot{q}_2 - \dot{q}_1)(t_k^-) \leq 0, \end{cases} \quad (69)$$

with $e_{n,1}$ and $e_{n,2} \in [0, 1]$. Once again, considering compliant contact as in [227, Equations (1)–(4), (8)–(10)] is doable without modifying the system’s structure. To illustrate further, let us consider the 4-bar mechanism in Fig. 14 (a). Without clearance at joints 2 and 3 this mechanism has one DoF. The mechanical plays at joints 2 and 3 makes it a 5-DoF system. The object and robot splitting depends on the actuated joints: if only J_1 is actuated, the object’s dynamics has the coordinate $(\theta_2, \theta_3, x_2, y_2)$ and the robot θ_1 . If both J_1 and J_4 are actuated the object has the coordinate (x_2, y_2, θ_2) and the robot (θ_1, θ_3) , where (x_2, y_2) are the Cartesian coordinates of body 2’s center of mass. The dynamics of the 4-bar mechanism with clearance at joints 2 and 3 is given in [230]. Its structure is easily recast into (1).

Comments While it seems natural to design controllers which guarantee persistent contact and non-trivial trajectories for system in Fig. 14 (a) (a topic largely studied in the literature [3]), clearances as in Fig. 14 (b) have to be “compensated for” in a different way, since both constraints cannot be activated simultaneously. In both cases persistent contact modes follow the developments in sections 2.1.1 or 2.1.2 with specific controller constraints (see also [3]). This adds to the tasks where persistent contact is a goal, as in sections 3.1.2, 3.6.2, biped locomotion with stance phases, or catching tasks. Due to the specific nature of the admissible domain in chains with revolute joints and clearance, small clearances’ effects can be treated as “nonsmooth dynamical disturbances” [230]. The 4-bar system in Fig. 14 (a) shares features with the prehensile manipulation system in Fig. 9, since in both cases persistent contact is desired. One difference is that manipulation usually involves sticking contacts, while contact inside the revolute joints stick and slip.

3.11 Aircraft with Cable-Suspended Load (Aerocrane)

Let us consider the system depicted in Fig. 15, which is a planar aircraft with two inputs $\tau = (\tau_x, \tau_y)^\top$, carrying a load suspended by a massless, non-extensible cable, whose length when taut is equal to L . Such aerocrane systems are designed in aerospace sciences [231, Fig. 32] [232, Fig. 15]. The dynamics is given by (we do not incorporate aerodynamics effects):

$$\begin{cases} m_1 \ddot{x}_1 = \lambda_n \sin(\theta) \\ m_1 \ddot{y}_1 = -\lambda_n \cos(\theta) - m_1 g \\ m_2 \ddot{x}_2 = \tau_x + \lambda_n \sin(\theta) \\ m_2 \ddot{y}_2 = -\lambda_n \cos(\theta) + \tau_y - m_2 g \\ 0 \leq \lambda_n \perp L - \sqrt{(x_2 - x_1)^2 + (y_2 - y_1)^2} \geq 0, \end{cases} \quad (70)$$

where λ_n is the cable’s tension, $(x_2, y_2)^\top$ are the aircraft’s center of mass coordinates, $(x_1, y_1)^\top$ are the payload’s center of mass coordinates, $\theta = \arctan(\frac{x_2 - x_1}{y_1 - y_2})$ is the angle made by the taut cable with respect to the vertical axis (for simplicity we assume that the aircraft’s center of mass and the cable’s attachment point are the same). The complementarity constraint manages the taut/slack state of the cable (cables can pull, not push), and the model is complete if an impact model is added to (70) (inelastic collisions are usually chosen [233, 234]). The same approach can be used to model tethered satellites, cable-driven robotic systems in crane configuration [46, 47, 235, 236, 237], helicopters or quadrotors with cable-suspended loads [233, 238, 239, 240, 241], manipulation

of objects with cables [213, 214], gantry cranes with liquid-sloshing payloads [242, 243] (then the object has a complex dynamics, which can be approximated with multibody dynamics models [244, Chapter 5]). As explained in [6, Example 1.6], the cables can also be controlled with a force exerted at one tip, or with one of the tip's position (*e.g.*, the attachment point on the aircraft example). A variation is therefore the control of a floating object, linked to a robot system by cables, with a winch device mounted on the robot which produces a control action on the cables (the cable's tension). The cable-suspended yoyo dynamics in [245, Equation (2)] fits also with (1), however without robot's dynamics (1) (b), and the input τ is the cable's upper tip position which enters the complementarity constraint: $0 \leq \lambda \perp h(q_1) + \tau \geq 0$. Another aerocrane configuration is with a controlled payload, while the airship floats in the air [231, 232]. Then the roles of the robot and the object are reversed compared to (70). It is also possible to add complementarity constraints of the form $0 \leq \lambda_{n,2} \perp x_1 - l \geq 0$, which models the ground inpenetrability [233], or more to model possible obstacles that the payload may collide with. The peculiarity of the latter is that they do not involve directly q_2 .

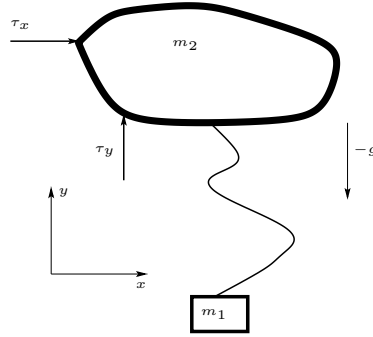


Figure 15: Aircraft with a cable-suspended load.

Remark 7 *A peculiarity of cable's models with slack/taut modes, is that they do not involve friction. Thus they yield frictionless unilateral constraints. This places robot-object systems with flexible cables in a specific subclass of (1). The manipulation of ropes or cables [246] where the cable/rope plays the role of the object, is different from the above tasks. If the cable is considered massless inextensible, then (1) (a) vanishes and the cable produces a complementarity constraint.*

3.12 Further Robot-Object Systems

As seen above some systems do not exactly fit with (1), but are very close to it and should consequently share many properties with it. Some analyses assume that the robot's mass is much larger than the object's mass, *e.g.*, [211, 247, 57], so that the robot is unaffected by the contact force (even at impacts). In this case, (1) (b) reduces to $M(q_2)\ddot{q}_2 + F_2(q_2, \dot{q}_2, t) = E(q_2)\tau$. The underactuated systems with friction studied in [248, 249] can also be recast into pseudo robot-object systems. Indeed after a simple change of state variable, [249, Equation (1)] becomes:

$$\begin{cases} \ddot{z}_1 + g(a_1 z_1 + b_1 z_2) = C_1(a_1 \dot{z}_1 + b_1 \dot{z}_2)\lambda_{t,1} \\ \ddot{z}_2 = C_2(a_2 \dot{z}_1 + b_2 \dot{z}_2)\lambda_{t,2} + \tau \\ \lambda_{t,1} \in -\text{sgn}(a_1 \dot{z}_1 + b_1 \dot{z}_2), \quad \lambda_{t,2} \in -\text{sgn}(a_2 \dot{z}_1 + b_2 \dot{z}_2), \end{cases} \quad (71)$$

for some constants a_i and b_i depending on inertial parameters, and $C_i(\cdot)$ are smooth functions representing Stribeck frictional effects, and $g(\cdot)$ derives from a smooth potential. Apart from mechanical systems, electrical circuits with ideal diodes may also be recast into robot-object dynamics. Let us consider the circuit depicted

in Figure 16. Its dynamics is given by:

$$\begin{cases} \dot{x}_1 = \frac{1}{\mathbf{C}}x_2 \\ \dot{x}_2 = \frac{-\mathbf{R}_3}{\mathbf{L}_2}x_2 - \frac{1}{\mathbf{L}_2}x_1 + \frac{1}{\mathbf{L}_2}(\lambda_1 + \lambda_2) \\ \dot{x}_3 = \frac{-\mathbf{R}_2}{\mathbf{L}_1}x_3 - \frac{1}{\mathbf{L}_1}\lambda_1 + \frac{1}{\mathbf{L}_1}\tau \\ 0 \leq \lambda_1 \perp x_2 - x_3 \geq 0, \quad 0 \leq \lambda_2 \perp x_2 \geq 0, \end{cases} \quad (72)$$

where $\tau = u$ the voltage source, $x_1 = u_c(t)$, u_c is the voltage across the capacitor, $x_2 = i_1$ is the current through the diode, $x_3 = i_2$ is the current through the inductor \mathbf{L}_1 , λ_1 and λ_2 are the voltages across the diodes, τ is a voltage source. The dynamics (72) possesses a similar structure as (1) with $q_1 = (x_1, x_2)^\top$, $q_2 = x_3$, $h(q) = \begin{pmatrix} x_2 - x_3 \\ x_2 \end{pmatrix}$. The equivalent of the mass matrix is $\text{diag}(\mathbf{C}, \mathbf{L}_2, \mathbf{L}_1)$. The object dynamics is controllable with input $\lambda_1 + \lambda_2$, the robot dynamics is controllable with input τ . Solutions of (72) are absolutely continuous, excepted initially if the unilateral constraints are violated [52, 250, 251]. The system in (72) is an LCS, which can be equivalently rewritten as a differential inclusion of the form: $\dot{x} + Ax + B\tau \in -\mathcal{N}_S(x)$, for some A and B , where S is a closed convex polyhedral set, $\mathcal{N}_S(x)$ is the normal cone to S at x [52, 250]. The controllability of LCS has been studied [252, 253], but it applies to LCS with a complementarity P-matrix (it is null in (72), contrarily to (55) (56) (57) and (67)). The control of (72) necessarily implies contact phases during which the multipliers are solutions of the contact CP, constructed as in section 2.1, but with only one differentiation. For instance when $h(x) = 0$ (persistent contact with both constraints) we obtain:

$$0 \leq \lambda \perp \begin{pmatrix} \frac{-1}{L_2} & \frac{-R_3}{L_3} & \frac{R_2}{L_1} \\ \frac{-1}{L_2} & \frac{-R_3}{L_3} & 0 \end{pmatrix} x + \begin{pmatrix} \frac{-1}{L_1} \\ 0 \end{pmatrix} \tau + \begin{pmatrix} \frac{1}{L_1} + \frac{1}{L_2} & \frac{1}{L_2} \\ \frac{1}{L_2} & \frac{1}{L_2} \end{pmatrix} \lambda \geq 0. \quad (73)$$

This contact CP is similar to the CP in (3), and it always has a unique solution $\lambda(x, \tau) \geq 0$ with $\lambda(x, \tau) = M_1x + M_2\tau$ for some matrices M_1 and M_2 [7, Theorem B.3] [253] since its matrix is positive definite. The same can be done when $h_1(x) = 0$ and $h_2(x) > 0$, and when $h_1(x) > 0$ and $h_2(x) = 0$. This gives rise to three constrained linear invariant systems (similarly to (6)) whose controllability properties can be studied. The switching between these four subsystems obeys the complementarity constraints, and (73) is a controlled LCP as (3). Extensions of the results in [254] are needed. Let us end this section with the circuit depicted in Fig.

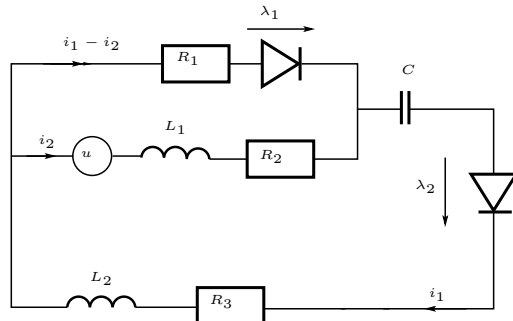


Figure 16: RLC circuit with two ideal diodes.

17. Its dynamics is given by:

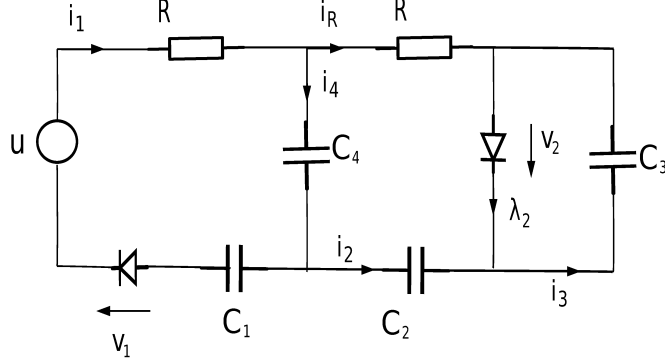


Figure 17: RLC circuit with two ideal diodes.

$$\begin{pmatrix} \dot{x}_1 \\ \dot{x}_2 \\ \dot{x}_3 \\ \dot{x}_4 \end{pmatrix} = \begin{pmatrix} 0 & 0 & 0 & 0 \\ 0 & -\frac{1}{RC} & -\frac{1}{RC} & -\frac{1}{RC} \\ 0 & -\frac{1}{RC} & -\frac{1}{RC} & -\frac{1}{RC} \\ 0 & -\frac{1}{RC} & -\frac{1}{RC} & -\frac{1}{RC} \end{pmatrix} \begin{pmatrix} x_1 \\ x_2 \\ x_3 \\ x_4 \end{pmatrix} + \begin{pmatrix} \frac{1}{C} & 0 \\ 0 & 0 \\ 0 & \frac{1}{C} \\ \frac{1}{C} & 0 \end{pmatrix} \begin{pmatrix} \lambda_1 \\ \lambda_2 \end{pmatrix} \quad (74)$$

$$0 \leq \begin{pmatrix} \lambda_1 \\ \lambda_2 \end{pmatrix} \perp \begin{pmatrix} w_1 \\ w_2 \end{pmatrix} = \begin{pmatrix} 1 & 0 & 0 & 1 \\ 0 & 0 & 1 & 0 \end{pmatrix} \begin{pmatrix} x_1 \\ x_2 \\ x_3 \\ x_4 \end{pmatrix} + \begin{pmatrix} R & 0 \\ 0 & 0 \end{pmatrix} \begin{pmatrix} \lambda_1 \\ \lambda_2 \end{pmatrix} + \begin{pmatrix} -1 \\ 0 \end{pmatrix} \tau \geq 0$$

with $\tau = u$ the voltage source, x_1, x_2, x_3 and x_4 the voltages across the capacitors, $\lambda_1 = i_1$ (thus $w_1 = v_1$), λ_2 is the current through diode 2 (thus $w_2 = v_2$). We see that the input enters only the complementarity constraints, similarly to (57) and to (47) (if the sign function is expressed as in (45)). Doing the analogy with (1) we are tempted to state that (74) has no robot dynamics (it shares this feature with the yoyo dynamics in [245, Equation (2)] where the control also enters the complementarity constraint). Following [255], the dynamics in (74) can also be rewritten equivalently as:

$$\begin{cases} (a) \dot{x}_1 = \frac{1}{C} \max(0, \frac{-1}{R}(x_1 + x_4 - \tau)) \\ (b) \dot{x}_2 = \frac{-1}{RC}(x_2 + x_3 + x_4) \\ (c) \dot{x}_3 = \frac{-1}{RC}(x_2 + x_3 + x_4) + \frac{1}{C} \lambda_2 \\ (d) \dot{x}_4 = \frac{-1}{RC}(x_2 + x_3 + x_4) + \frac{1}{C} \max(0, \frac{-1}{R}(x_1 + x_4 - \tau)) \\ (e) 0 \leq \lambda_2 \perp w_2 = x_3 \geq 0. \end{cases} \quad (75)$$

Going a step further, the contact LCP is: $0 \leq \lambda_2 \perp \dot{x}_3 = \frac{-1}{RC}(x_2 + x_3 + x_4) + \frac{1}{C} \lambda_2 \geq 0$. Inserting the unique solution of the LCP into (75), we obtain contact dynamics which is the counterpart of (6) and of (56). Contrarily to (73), the input does not enter the contact CP. It appears clearly from (75) that the controller acts only in the region $\{(\tau, x) \in \mathbb{R}^5 \mid \tau > x_1 + x_4\}$.

Remark 8 *The analogy between hydraulic and electrical circuits is well-known [256], where the ideal diodes are replaced by check valves. Hence nonsmooth circuits encompass nonsmooth hydraulic circuits. The mechanical systems studied in [126] can be recast into (1) without robot's dynamics (b). It could be of interest to study how their behaviour is influenced by the addition of a controlled robot (applied, e.g., to the pole in the woodpecker system).*

4 Analysis for Control

As announced in the introduction, this section and section 5 do not aim at doing a complete survey of the related literature, since this would lead to consider too many references. Therefore we content ourselves with relevant references which serve the purpose of this article. Several survey articles have been cited in Remark 2 to which the interested readers are referred.

4.1 Stability Notions

Apart from the well-known general stability concepts (Lyapunov, Lagrange stabilities, asymptotic, local, global, exponential, practical, finite-time, *etc*), which can be applied to any dynamical system (possibly after suitable transformations to an error dynamics in case of a controlled system, or to a Poincaré mapping associated with all or one part of (1)), robot-object systems (1) possess particular features. Consider a biped robot, or simply the jumper in Fig. 6. Stability may merely mean that the system is standing and does not fall down (during walking or running tasks). It may mean that in addition the robot’s gravity center tracks some desired trajectory (position and velocity and acceleration), or that it reaches some apex height at each step. Specific stability measures have been developed to cope with this, the most well-known one in biped locomotion being the ZMP measure [23, 97], also used in the context of manipulation [138]. More generic analyses on stability of complementarity Lagrangian systems [257] have been applied to biped robots [54]. It can also incorporate the walking speed, or the gait’s length (see [258] for a survey on stability of walking machines). It may incorporate that the contact foot (or contact feet) never slips nor rebounds, or on the contrary that it is allowed to slip. Painlevé paradoxes [6] (which are some kind of singularities) can occur for small friction coefficients in sliding mechanisms [259] and this requires specific stability notions [260, 116]. Stability may refer to a specific subtask of a global task, as in [134] where catching is stabilized using extension of Lyapunov stability proposed in [261]. Force and form closures in object’s manipulation are a kind of stability notion, as well as balancing a biped: stability may just mean that both feet stick to the ground and the biped’s center of mass remains in a bounded region, when bounded disturbances act on the biped (this is quite similar, if not identical, to form closure in manipulation), and that the system stays in a neighborhood of this “equilibrium” if it leaves it. In case of tasks involving repeated impacts, stability may be that of the Poincaré mapping [179].

4.2 Controllability

It is clear that the dynamics (1) differ significantly from the underactuated dynamics considered in [166], for instance (which fits with the robot’s dynamics in (49) with conserved momentum in (50)). Hence tailored controllability must be defined for (1). Different notions of controllability can be defined for systems (1), depending on which dynamics and input are considered. The first step may be to analyse the object’s controllability (1) (a), considering λ_n and λ_t as independent inputs, then introduce sign constraints on λ_n , then introduce the dependence of these multipliers on the system’s dynamics *via* the impact laws or *via* the contact CP (see section 2.1).

- Object’s controllability with input (λ_n, λ_t) : depending on $\frac{\partial h}{\partial q_1}^\top \in \mathbb{R}^{m \times n_1}$ and H_t^1 , which reflect the constraints complexity and play the role of input matrices, this first step may or may not be trivial. It involves impulsive multipliers (p_n, p_t) considered as arbitrary inputs (impulsive controllability [109]), or bounded multipliers which are functions of time (solutions of the CP in (3) or (9) or (15)). In reality both are signed nonnegative inputs due to complementarity, see also (29), consequently tools for signed inputs should be used [3]. Notions of controllable twists and wrenches are introduced for manipulation grasping [14], where ranges and null space of $H_1(q)$ and $H_2(q)$ are the basic analysis tools. Many other notions (redundancy, indeterminacy, graspability, defectivity, hyperstaticity [14, Definitions 38.1–38-5]) which all involve properties of kernels and ranges of $H_i(q)$, $i = 1, 2$, are related, though not equivalent, to controllability. For instance, $\text{rank}(H_1) = n_1$ implies that the object is controllable (it is a fully actuated Lagrange system) from the multipliers (it is also a

necessary condition to have all object's twists achievable by \dot{q}_2 [14, sect. 38.2.3]). But object's controllability from the multipliers when $\text{rank}(H_1) < n_1$ can be analysed using general tools [166, 262, 263]. Clearly, if the object is not controllable from (λ_n, λ_t) , then the overall system is not controllable. The same holds for reachable subsets. Thus this controllability (in the broad sense) notion is important for (1).

- Object's controllability through the impacts, see [1, 264, 109, 211]: $(q_2(t), \dot{q}_2(t^-))$ is the input as in (29) (a) (b), several successive impacts may be considered (the number of visited constraint boundaries is part of the problem), and the impact dynamics (19) is incorporated. An adapted accessibility definition is proposed in [264, Definitions 1 and 2], and the reachable sets can be computed by solving sets of nonlinear equations with inequalities [264, Equation (36)]. How much does controllability depend on the impact dynamics (classes **i**, **ii**, **a**, **b**, **c**, section 2.2)? Preliminary answers are given in [109, 264]. Impact Poincaré mappings' controllability (mappings seen as a discrete-time system), is of interest as well. This obviously relies on the basic assumption that there exists a controller τ such that the Poincaré mapping exists, *i.e.*, the Poincaré section is visited at arbitrary impact times. The construction of the Poincaré mapping may require calculations [9, 10]. It is noteworthy that the flight-times (the duration between two successive impacts) can be considered as an input in a first step in some cases [211, 265]. Linear n -dimensional juggling systems are analysed in [266]. It is shown that impacts can improve the controllability of a system, by rendering an uncontrollable system, controllable. This means that the impacts are able to enlarge the reachable sets, something undoable if impacts are absent. This shows the fundamental influence of the interaction force in the overall control problem. This problem is close to impulsive or release manipulation tasks [202, 108].

- Compliant contact yields LCS with a positive definite complementarity matrix (see (55) (57) (67) [203, 6, 5]), whose controllability is analysed in [252, 253]. What about the use of directed graphs [267]? However other robot-object systems yield LCS with null or positive semidefinite complementarity matrix (see (72) and (74)), closer to the planar system studied in [254]. As alluded to in section 3.12, when the complementarity matrix is not a P-matrix, then it may be necessary to analyse the controllability of each constrained subsystem. This may be named a kind of *complementarity stratified controllability* (see an item below), where the switchings between the subsystems are activated by the complementarity conditions (hence they are state-dependent in a specific way).

- Controllability of the robot (1) (b) with τ . Examples: the robot in (49) is uncontrollable, the robot in (28) is controllable. But, how is the robot's controllability when seen as an unconstrained system, transformed for (1) (b) (c) ? In other words, if the dynamics $M_2(q_2)\ddot{q}_2 + F_2(q_2, \dot{q}_2, t) = E(q_2)\tau$ is controllable, does this mean that it is still controllable in the interior of the admissible domain $h(q_1, q_2) > 0$? Results in [254] tend to prove that this may not be true.

- Stratified controllability [48]: it extends the notion of controllability for nonlinear smooth systems (basing on differential geometry arguments), to systems which switch between subspaces with different codimensions. Impact phenomena (*i.e.*, velocity jumps) are neglected, and the complementarity constraints which rule the switchings are not incorporated (*i.e.*, it is assumed that arbitrary switching sequences can be imposed). It may be that the invertibility of the impact mapping (*i.e.*, is the mapping $(q(t), \dot{q}(t^-)) \mapsto (q(t), \dot{q}(t^+))$ defined from (19), bijective, or at least surjective?) plays a significant role. Plastic impacts yield noninvertible mappings, impacts with friction can also yield some kind of tangially plastic impacts (with sticking post-impact mode). The results in the previous item, prove the prominent role that impacts may play. It is also interesting to notice that there is a combinatorial aspect in several of these controllability criteria, as in [48] and [264], each time $m \geq 2$.

- Controllability with impulsive inputs τ , using local controllability criteria (small-time local controllability STLC) for nonlinear systems [268]. Such inputs can (in theory) compensate for kinetic energy loss at impacts, hence creating a sort of instantaneously controlled impacts which allows one to render the system STLC. Notice that impulsive inputs are quite different from impacts since they do not obey any collision model.

The global controllability from τ involves a complex switching system with varying dimensions and impacts

(see section 2.6). This is solved in [266] when the robot and the object's dynamics are linear invariant, with a tailored controllability notion [266, Definition 1]. The controllability of hybrid dynamical systems has received some attention, see [269] and references therein. The analysis that seems the closest to what is needed for (1) seen as a switching system, is in [267]. However it applies only to vibro-impact systems, without control constraints. Some comments arise:

- Some juggling systems (with robot's post-impact velocity and time interval between two impacts considered as the input) are not small-time locally controllable [48, Definition 3.1], but are globally controllable [211]. This is due to the ballistic motion of the object.

- Controllability is influenced by the number of contact/impact points (single *vs.* multiple impacts) [1]. The difference between sequences of single impacts (like in the impact oscillator in Fig. 14 (b) and (69) where constraints cannot be active at the same time), and multiple impacts where several (≥ 2) constraints can be activated simultaneously, should be investigated.

- In some systems and tasks, frictional effects play a prominent role (frictional oscillator, impulsive manipulation tasks with long portions of motion subjected to friction). Then the friction model is a crucial step of the design, both at and outside impacts. This may be quite different from tasks where sticking is the prominent effect to model (think of a walking machine).

- Controllability in persistent contact with input τ (contact controllability [3, Definition 1]), that applies to dynamics as in (6), (10) or (17). Examples are given in sections 3.1.2, 3.2, 3.8. This applies to the control of bipeds in stance phase with one foot or two feet in total sticking contact with the ground [4, 23], to the active compensation of joint clearance [3], to the grasping manipulation [153] (when is a manipulated object controllable? Are form and force closure at all times necessary, sufficient?), to nonprehensile manipulation [153], to aerocranes with taut cables (section 3.11). See the derivations in section 3.6.3 for the all-sticking mode: this is a very constrained control problem. Accessibility of an inertially driven crawling system is studied in [186], where friction is shown to be necessary for controllability (such a conclusion is obvious in simpler systems like frictional oscillators, where no friction merely means total decoupling between (1) (a) and (b)). In a more general setting (see section 2.6), persistent contact phases are low-dimensional controlled dynamics with control constraints. Is the general framework proposed in [3] (relying on specific transformations and on controllability with signed inputs) for kinematic chains with clearance, applicable to other tasks like manipulation, balancing bipeds, climbing ?

- Controlled contact LCPs: this is directly related to the foregoing item. How to control the deactivation of some previously persistent contacts, while keeping others activated ? In other words, how to design an input τ such that the modes of the contact CP in (6), (9) or (15) can be selected (mode selection *via* the input) ? This is related to the analysis of LCPs solutions as a function of the parameters. Complementarity cones [84, Chapter 6] could be used (this yields an enumerative method, practical only if the number of contacts is small). Controlled contact LCPs have been used in [142] for trajectory tracking in fully actuated complementarity Lagrange systems. The frictionless contact CP controllability (perhaps a better name is *solvability from the control*, or *controlled mode selection*) in (2) (3) depends on the input matrix $\tilde{E}(q) \triangleq \frac{\partial h}{\partial q_2} M_2^{-1}(q_2) E(q_2)$ and on the Delassus' matrix $D_{nn}(q)$. By the fundamental Theorem of Complementarity [84, 6], the frictionless contact CP has a unique solution for any $G(q, \dot{q}, t) + \tilde{\tau}$, if and only if the activated constraints are independent $\Leftrightarrow D_{nn}(q) \succ 0$. If $m > n$, then $D_{nn}(q) \succcurlyeq 0$, and the set of solutions is less easy to characterize [6, section 5.4.2]. If the contact CP has several solutions, then the switching to the next motion mode is less easy to analyze (perhaps a notion of *weak solvability from the control*, or *weak controlled mode selection* should be introduced), and this influences the controllability of the whole nonsmooth system. An important feature is that $D_{nn}(q) = D_{nn}(q)^\top$, hence any two solutions satisfy $\lambda_n^1 - \lambda_n^2 \in \text{Ker}(D_n(q)) = \text{Ker}(\nabla h(q)) = \text{Ker}(\frac{\partial h}{\partial q_1}^\top) \cap \text{Ker}(\frac{\partial h}{\partial q_2}^\top)$ [84, Theorem 3.1.7] and [270, Fact 2.11.3, Theorems 2.4.3, 2.6.1, Proposition 2.6.3]. We see in passing that this exactly corresponds to the hyperstatic criterion [14, Definition 38.5] for grasping. In other words, $\text{rank}(D_{nn}(q))$ is determined by the hyperstaticity degree (as noted in [6, section 5.5.7] the analogy with hyperstaticity is limited to the frictionless

case, however). When friction is present, we have to analyze the contact CP in (9) and (15), and nonexistence or nonuniqueness may arise for different reasons. The contact CP controllability and the controllability of the systems (6), (10) and (17) (which are dynamical systems living on submanifolds, with input constraints) are closely linked since $\tilde{E}(q)$ appears in the input matrices of these dynamics. For instance in (6) if $D_{\text{nn}}(q) \succ 0$, we have $E_1^{\text{con}} = -\frac{\partial h}{\partial q_1}^\top D_{\text{nn}}^{-1}(q) \frac{\partial h}{\partial q_2} M_2^{-1}(q_2) E(q_2)$ and $E_2^{\text{con}} + E(q_2) = (-\frac{\partial h}{\partial q_2}^\top D_{\text{nn}}^{-1}(q) \frac{\partial h}{\partial q_2} M_2^{-1}(q_2) + I_{n_2}) E(q_2)$. Thus the matrix $D_{\text{nn}}^{12}(q) \triangleq \frac{\partial h}{\partial q_1}^\top D_{\text{nn}}^{-1}(q) \frac{\partial h}{\partial q_2}$ plays a crucial role in the object's control in (6) (a): it reflects some kinetic angles in the metric defined by $D_{\text{nn}}(q)$. The same analysis has to be led to study E_1^s and E_1^{st} in (10) and (17). The controllability of each subsystem (6), (10) and (17) along various contact modes may serve as a basis for an extended notion of stratified controllability, as alluded to above. Sometimes the coordinate reduction of (6), (10) and (17) is easy with the choice of a new, minimal set of generalized coordinates (like for bipeds). In general constrained mechanics, it is not, and one has to analyze these systems with bilateral constraints and input constraints. Tactile feedback (*i.e.*, measurement of λ_n and/or of λ_t) also plays a crucial role, since it allows the designer to modify the Delassus' matrix.

- During noncontact (airborne, flight) phases: in some systems the cat-like strategy can be used to change the configuration and velocities while the invariant variable (like the angular momentum) is kept. This is used to modify the configuration of systems during flight-phases in order to improve their agility [191, 271]. Cat-like strategy can be seen as one kind of inertially-driven systems (section 3.5): for instance the systems in [190] and in [191] certainly share many common features.

- What kind of controllability concept may be useful for a specific task ? For instance biped locomotion does not need (care?) about the whole system being controllable, but merely about the existence of a walking trajectory and then its stability (not “falling down”), similarly for the dimer in Fig. 11 in forward or backward motions. This is often the case for systems (1). For biped robots one may consider so-called *capturable* states [23, sect. 48.3.4] [178], a sufficient criterion for walking tasks. Contact controllability [3] for tasks with persistent contact, *controllability through impacts* [1, 264] for vibro-impact tasks are other concepts. For manipulation grasping task, tailored properties have been introduced [14, Definitions 38.1–38-5]. However as alluded to at several places in this article, complex tasks mix different objectives and more sophisticated criteria may be needed. Systems with high degree-of-freedom objects (like granular matter) may require new controllability notions, relating to the global motion of the granular [148]. For instance one goal may be to control the center of mass of the object, using impacts and friction of the robot with some particles.

4.3 Observability, State Observers

Observers have been derived for general complementarity Lagrangian systems [272, 273, 274], where the measured output is q , and impacts are shown not to perturb the stability of the observer error dynamics. Different approaches are proposed in [110, 275], which instead use impacts to improve the observability, and in [276] where a dead-beat discrete-time observer is designed for the time-discretized complementarity dynamics (the time-discretization is obtained with an event-capturing time-stepping scheme [7]). In [68] a finite-time state observer is included in the closed-loop design, and applied to a 2-dof juggler (made of two tapping robots as in Fig. 3 (b)). A related subject is the choice of the output for feedback, especially for the object (1) (a). Depending on the system and the task, various choices are possible (a peculiar position during free-flight, like the trajectory apex in jugglers), $\dot{q}_1(t^-)$ or $\dot{q}_1(t^+)$, flight duration, *etc.* Measurements (or calculations) are then subjected to uncertainties that need to be analyzed.

4.4 The Peaking Phenomenon

This phenomenon is present each time one wants to measure the distance between two functions which do not jump at the same time, but whose discontinuity-times are separated (hence it can also be named the *jump-times mismatch* [6]): the graphs of the two functions may be arbitrarily close one to each other, but the

“vertical” distance between them remains large in a neighborhood of the jump time. This has been long well-known in the analysis of ODE with state jumps [6, sections 1.3.2.3, 7.1.1] [277] (the concept of quasi-stability ignores infinitesimal time-intervals around impact times, and is used in [149]). More recently it has been recognized as an important phenomenon in complementarity Lagrangian systems, where different solutions have been proposed to cope with this issue, some of them inspired by [278]. The peaking phenomenon occurs in trajectory tracking problems when impacts are disturbances [149, 151, 140, 1, 279, 142, 8, 280, 281, 282], and in observer error dynamics. In robot-object systems the occurrence of the jump-mismatch may not be so common (see the item on trajectory tracking in section 5).

4.5 Relative Degree

Some of the above systems possess a vector relative degree $r = (2, \dots, 2)^\top$, others have $r = (0, \dots, 0)^\top$, or $r = (1, \dots, 1)^\top$, or $r = (r_1, \dots, r_s)^\top$ with $r_i = 0$, $r_i = 1$ or $r_i = 2$ (when both unilateral constraints and unilateral springs are present [6, Example 5.14] [184], then $r_i = 0$ or 2). The relative degree is calculated between λ (seen as the input) and w (seen as the output). The relative degree is known to play a significant role in complementarity dynamical systems for the class of solutions. It also plays a significant role on the control, since impacts are absent from systems with relative degree zero (the CP is therefore quite different). The Delassus’ matrix is a kind of decoupling matrix in the input/output linearization theory [52, section 4.2.1]. See [283] for extensions with different outputs with calculation of the Byrnes-Isidori canonical form. Passivity implies stable zero-dynamics [93], hence the canonical form obtained with the pair $(\lambda_n, h(q_1, q_2))$ has stable zero-dynamics.

4.6 Passivity

Let us examine the passivity properties of (1), outside impact times. One has to be careful about which operator is considered. In a first stage we may consider all “inputs” λ_n , λ_t and τ on an equal footing without further considerations. Let $F_1(q_1, \dot{q}_1) = C_1(q_1, \dot{q}_1)\dot{q}_1 + g_1(q_1)$ and $F_2(q_2, \dot{q}_2) = C_2(q_2, \dot{q}_2)\dot{q}_2 + g_2(q_2)$ using usual notations for inertial and potential torques [93]. Then the operator $\nabla h(q)\lambda_n + H_t(q)\lambda_t + \begin{pmatrix} 0 \\ E(q)\tau \end{pmatrix} \mapsto \dot{q}$ is passive (and this applies to each subsystem (1) (a) and (b) separately with the operators $\frac{\partial h^\top}{\partial q_1}\lambda_n + H_t^1(q_1, q_2)\lambda_t \mapsto \dot{q}_1$ and $\frac{\partial h^\top}{\partial q_2}\lambda_n + H_t^2(q_1, q_2)\lambda_t + E(q_2)\tau \mapsto \dot{q}_2$). As a consequence, taking $\tau = 0$ and $\lambda_t = 0$, the operator $\lambda_n \mapsto \nabla h(q)^\top \dot{q}$ is passive. This follows from classical arguments about Lagrangian dynamics [93], independently of the contact/impact model.

In a second stage we may incorporate the complementarity conditions in (1) (c) and planar friction, following [6, section 5.5.2]. Then passivity is a consequence of the maximal monotonicity and the Chain Rule of Convex Analysis, and of the Principle of Virtual Work (or Power Principle of Coordinate Invariance) [6, section 5.5.2]. In this setting (1) is seen as a set-valued Lur’e dynamical system [284, 52]. However the constraints introduce couplings between the robot and the object. Indeed we have the following:

$$\begin{cases} \langle \dot{q}_1, \frac{\partial h}{\partial q_1}^\top \lambda_n \rangle = \int_0^t \dot{q}_1^\top (M_1(q_1)\ddot{q}_1 + C_1(q_1, \dot{q}_1)\dot{q}_1 + g_1(q_1))dt - \int_0^t \dot{q}_1^\top H_t^1(q_1, q_2)\lambda_t dt \\ \langle \dot{q}_2, \frac{\partial h}{\partial q_2}^\top \lambda_n + \tau \rangle = \int_0^t \dot{q}_2^\top (M_2(q_2)\ddot{q}_2 + C_2(q_2, \dot{q}_2)\dot{q}_2 + g_2(q_2))dt - \int_0^t \dot{q}_2^\top H_t^2(q_1, q_2)\lambda_t dt \end{cases} \quad (76)$$

Consider for simplicity the planar case for friction: $\lambda_t \in -[\mu][|\lambda_n|]\text{Sgn}(v_t)$, with $v_t = H_t^\top \dot{q} = H_t^{1,\top} \dot{q}_1 + H_t^{2,\top} \dot{q}_2$ (see section 1). We have $-\int_0^t v_t^\top \lambda_t dt = \int_0^t v_t^\top [\mu][|\lambda_n|]\text{Sgn}(v_t) \geq 0$ from the maximal monotonicity of $v_t \mapsto [\mu][|\lambda_n|]\text{Sgn}(v_t)$. Using $\langle \dot{q}, \frac{\partial h}{\partial q}^\top \lambda_n \rangle = \langle \dot{q}_1, \frac{\partial h}{\partial q_1}^\top \lambda_n \rangle + \langle \dot{q}_2, \frac{\partial h}{\partial q_2}^\top \lambda_n \rangle$, it follows that $\dot{q} \mapsto \frac{\partial h}{\partial q}^\top \lambda_n + \tau$ is passive. But each suboperator $\frac{\partial h}{\partial q_1}^\top \lambda_n \mapsto \dot{q}_1$ and $\frac{\partial h}{\partial q_2}^\top \lambda_n + \tau \mapsto \dot{q}_2$ is not. The same holds in the frictionless case. *This short analysis shows the difficulties which appear when passing from the analysis of each subsystem (1) (a) and (b), to the analysis of the whole dynamics (1).*

The map (19) should also verify passivity properties (called the energetical consistency in the Impact Mechanics literature [6, 8]). It is possible to define a generalized supply rate which incorporates impacts with possible accumulations of impact times (in the framework of velocities of local bounded variations) [6, section 7.5.3] [285, section 7.2.3] [93, section 7.2.4.1]. The notion of flow-and-jump passivity is proposed in [286], it applies to vibro-impact systems (also named flows with collisions [6, section 1.3.2]). The classical passivity/detectability results [93, section 5.3] are extended.

Notice that the circuits in section 3.12 are passive as operators $\lambda \mapsto w$ (or $w \mapsto \lambda$), and that they can also undergo passive state jumps [251, 250]. A central question is: does passivity help for control design, or not? For instance impacts dissipate energy, but this is not necessarily useful. It is conceivable that a walking machine, would be harder to control if feet/ground impacts created energy (actually, few articles explicitly use energy dissipation at impacts in the closed-loop stability analysis). However consider the juggler in (28): dissipation plays no particular role, it may even have a negative effect on the control energy (to compensate for the collisional energy loss).

4.7 Peculiar Contact Mechanics Features

Left accumulation of impact times (a kind of Zeno behaviour) and Painlevé paradoxes, are two important dynamical features of mechanical systems with unilateral constraints, impact and friction. Zeno trajectories have to be incorporated into stability analyses [260, 116, 261]. Painlevé paradoxes, which are a kind of dynamical singularity, are less encountered but do exist. They are now well understood [287, 288, 289, 260, 290, 291, 292]. They can occur in systems like those in Fig. 6 (a), Fig. 5, Fig. 19 (c), even for small coefficients of friction [287].

4.8 Other Notions and Tools

The important concept of zero-dynamics has been extended to biped robots evolving along specific trajectories [120]. In some applications (walking machines, frictional and impact oscillators, jugglers), the generation and stabilization of limit cycles is central to the control task. The impact Poincaré mappings controllability (the mere existence of a Poincaré mapping, implies that the system possesses a certain degree of controllability, *i.e.*, an input τ such that the Poincaré surface can be attained exists) is studied in [1, 293, 294]. Lexicographical inequalities are ubiquitous as an analytical tool in all dynamical systems subject to unilateral constraints. For instance, the detachment from a constraint occurs if and only if $(h_i(q), \frac{d}{dt}h_i(q) = \nabla h_i(q)^\top \dot{q}, \dots, \frac{d^k}{dt^k}h_i(q), \dots) \succ 0$ (the sequence is not equal to zero, and the first nonzero element is positive).

5 Review of Control Strategies

Due to their common structure, controllers for systems (1) have to verify some properties. During flight phases, trajectories must stay in an admissible domain to avoid unwanted collisions which may sometimes occur (*e.g.*, robot legs do not have to collide each other during steps [271, 170], cables must not collide other objects in cable-driven manipulators [295, 296]). This was named *viability* in [1]. During persistent contact, controllers must verify some constraints, which are dictated by the contact problem (section 2.1). Flight phases can be used to shape the configuration and the pre-impact velocity, to prepare for desired post-impact velocity. As announced earlier in this article, the control of (1) obeys a general strategy that belongs to the backstepping approach: design “intermediate” controllers λ_n and λ_t to control the object, then design pre-impact velocities which guarantee that these inputs are realized, then design the true controller τ to control the robot. As shown in section 3.1, it is also possible to decouple the control design into subtasks which correspond to these steps: for instance analyse the control (or controllability) of the object when the multipliers are thought as inputs.

Various approaches and assumptions have been proposed in the literature to design the robot’s input τ in a dynamical setting, which we summarize now¹.

- Dead-beat control τ of the robot, in order to assure a desired robot’s state $(q_2(t), \dot{q}_2(t^-))$ is reached in a desired finite time t [11, 12, 297, 247, 298, 180, 9, 10, 205, 299, 300, 205, 298, 301, 171]. Robustness is studied numerically in [11, 12, 300]. Sliding-mode control may be an alternative to bring the robot’s state towards a desired surface in a finite time [189]. It is also worth analysing and testing controllers which guarantee trajectory tracking (feedback linearization, passivity-based, *etc*) when available. However the asymptotic (or exponential) convergence may induce errors, the propagation of which on long term impacting trajectories has to be analysed. Such an approach has been chosen in [302, 230] for systems with joint clearance.

- Control/stabilization of the impact Poincaré mapping for limit cycles with impacts: runners, hoppers, jugglers possess such trajectories. This is done assuming that the Poincaré mapping exists (*i.e.*, a suitable input τ is applied so that the Poincaré surface is guaranteed to be reached, as in [179] where different suitable controllers are used in each mode). Usually the stability analyses are local.

- The OGY control strategy has been applied to impact oscillators with or without friction, and to friction oscillators [303, section 3.3], and to hoppers [304]. The algorithm can be applied to a variety of systems, the prerequisite being that the system is chaotic. The stability is usually local.

- Quite related to the previous item (in the sense that similar tools are used), is the control of bifurcations and chaos in “simple” (*i.e.*, with few dof) systems. The goal is to use the frequency and magnitude of a sinusoidal excitation, as feedback controllers, see, *e.g.*, [305]. The literature on this topic is huge [306, 307]. It departs from classical control (most of the works are published in the chaos and bifurcation literature), and is sometimes named *control through operating conditions* [303]. It can be useful in applications where periodic trajectories with a certain number of impacts *per* period are required (hammer-like tasks). Stability is usually local.

- The mirror law for jugglers: this has been proposed in [294], applied in [247, 57]. The principle is to track the object’s motion and to design a mirror-like motion of the object’s motion for the robot, and regulating the object at impacts. Similarly to the OGY method, this seems to mainly apply to juggling systems which satisfy $M_2(q) \gg M_1(q)$ (hence \dot{q}_2 remains continuous at impacts, an assumption that is widely spread in juggling systems analysis [308, 154, 247, 57, 153, 211, 136, 309, 68, 265, 310, 135]). The dead-beat controller designed in [11, 12] is shown to reduce to a mirror algorithm when this assumption holds.

- As announced in the introduction, a generic procedure (backstepping-like) applies naturally to (1). This yields noncollocated control τ , see sections 3.1.1 and 3.1.2. It has been advocated for juggling task design in [1, sect. III.B and III.C] (extension of material in section 3.1). This is used also in [3, section 4] [212], or [266], or [56, section II.C] . In fact, many algorithms proposed in the literature, solve one step of the backstepping algorithm (*e.g.*, the control of the object with the multipliers as inputs [9, 10]).

- Systems with joint clearance (dynamical model): the goal may be to compensate for the mechanical play using passive mechanisms (guaranteeing contact inside the joints), or using active control to guarantee persistent contact (backlash-free control) [3, 311, 312], including control constraints (5). Control redundancy plays a significant role in these approaches. The analysis robustness properties of no-clearance controllers is studied for PD control [302], and passivity-based control [230, 3]. Most models used in Automatic Control literature use a compliant linear spring-dashpot contact model [75] (sometimes because they lack of a suitable simulation tool), or completely neglect the dynamical effects (impacts).

- Algorithmically-designed controllers (Tedrake-Posa’s approach [313, 314]): propose a way to calculate closed-loop’s Lyapunov function for LCS solving BMIs. A priori, applies to compliant contacts as in section 3.6 (hence complementarity systems with AC solutions, or even continuously differentiable in certain cases). Stabilization is treated but tracking has not yet been tackled. Notice that similarly to [276], the problem is formulated in an event-capturing time-stepping discrete-time framework in [315, 313]. A similar approach is

¹The goal in this section is not to provide an exhaustive review of control schemes, but only to survey the main approaches.

chosen in [170] who relax complementarity constraints with a Baumgarte’s stabilization process, and formulate an optimal control problem comprising all constraints. In this setting the relaxation introduced in [316] could be tried. MPC is applied to a discretized version of a juggling system in [310].

- Control *via* switching coordinates (a strategy largely employed for walking robots): the switchings occur between bilaterally constrained dynamics with reduced (independent) coordinates. Many different control approaches exist to guarantee “stability” (roughly, the robot does not fall if its gravity center or its zero-moment-point lies in a certain location), and input constraints as a result of one sticking foot during a step. Model-predictive-control has become a popular control strategy because of its intrinsic ability to verify constraints (sliding-mode could be an alternative choice, from this point of view, as proposed in [317]). The control of the angular momentum and/or the center of mass through the reaction forces at each foot is tackled [167].

- Impulsive control: this boils down to design τ as a Dirac measure, or an approximation of it [293] (thus it is not to be confused with impulsive manipulation which consists of striking objects to send them at a desired position/orientation [108, 202, 109]). It shares with sliding-mode control and dead-beat control some finite-time properties. This has been applied in [293] to a hopping machine, and in [268] to several systems (a dimer as in section 3.7, and a compass gait as in section 3.3). Lyapunov functions are designed. Impulsive combined with continuous-time controllers are designed for various tasks (hopping, tapping, crawling, walking) in [268]. It is noteworthy that the impulsive controllers considered in [9, 10], are of a different kind. Indeed in [9, 10] the impulsive controllers correspond to λ_n and λ_t considered as inputs at impact times, not to τ being impulsive.

- Hopping robots: most of the studies are based on compliant contact [318, 319, 179, 320], hence can be recast into a complementarity framework, see section 3.6.1. In view of the material in the foregoing sections, would it be possible to use of the stability results in [145] for a bouncing ball with moving base, and of the equivalence between the one degree-of-freedom juggler and the vertical hopper, to design a controller for the hopper based on internal sinusoidal excitation ? The preparation for the airborne phase for a 3-link planar biped is studied in [321, 322]. Models with an actuated foot are analyzed in [323]. Hopping robots may be inertially driven [179]. Mirror controllers [294, 247, 57, 154] apply to jugglers, thus also to hoppers as long as their dynamics are the identical (see section 3.3.3).

- Running robots: this is quite similar to hopping, excepted that the system has a forward motion with “steps” and a forward velocity. Airborne-phase control can be used to prepare for the next mode (configuration and velocity pre-impact shaping) [121]. The trajectory’s apex during airborne phases is an important control objective. Also as mentioned above the cat-like strategy can be used for systems with conserved quantities.

- Adaptive control: this may concern “classical” on-line estimation of the robot’s inertial parameters (*e.g.*, during flight phases, or persistent contact phases), or, more specifically for our systems, the on-line estimation of other parameters like the coefficient of restitution [13]. The on-line estimation of all inertial parameters (robot and object) has apparently not been tackled yet.

- Trajectory tracking control: it occupies a specific place in the control of nonsmooth systems with state jumps, and can be tackled from different point of views, depending on whether or not the impacts are considered as disturbances [149, 151, 140, 1, 279, 142, 8, 280, 281, 282] (in which case the peaking or mismatch phenomenon is present, see section 4.4), or not [3, 302, 324, 150, 152, 149, 230]. Two main classes emerge: fully-actuated systems [149, 151, 140, 1, 279, 142, 8, 280, 281, 282], and underactuated robot-object systems. Dead-beat controllers can be used to define and stabilize desired trajectories in jugglers, in conjunction with a specific definition of desired trajectories fitted to a juggling system [297, Algorithm 1]. The object’s desired trajectory is defined at impact times in [11, 12]. The stabilization of existing trajectories when a sinusoidal excitation is applied (*e.g.*, bouncing dimer’s characteristic motions, or impact oscillators) could be performed using simple inputs, yielding at least local stability. In general, a desired trajectory has to verify the system’s constraints, and the invariants (energy, momentum). It may not be easy to define a desired trajectory in some complementarity Lagrangian systems [140, 4, 142]. For systems with joint clearances, trajectories can be designed for the nonsmooth system [302], but also for the smooth system (without clearances). Then a robustness study with respect to impacts has to be led [302, 230]. The peaking phenomenon (see section 4.4) may then be a major

issue for the stability of the tracking error dynamics. Tracking for systems in billiards has been tackled in [151, 150, 152]. In all these works a great deal of effort is put on the desired trajectory definition to cope with the peaking phenomenon one way or another (this was apparently first advocated in [140]). Interestingly enough, the controlled dynamics plus the desired trajectory dynamics in [149, Equations (13) and (19)] [151, Equations (16)] [152, Equations (2) and (4)], possess a robot-object vibro-impact structure (no persistent contact).

- **Optimal control:** this can *a priori* be applied to any “classical” system with inputs and sufficient reachability (should it be continuous or discrete-time like a Poincaré mapping). The optimal control of linear complementarity systems, which has been tackled in [325, 326], applies to both dynamics in (55) and (57), and to all robot-object systems with compliant contact. It also applies to the circuits in (72) and (74).

- **Control for manipulation [17]:** Notice that the strategy : 1) guarantee force or form closure (with model-based, analytic, or data-driven approaches [327]), 2) design of feedback τ , follows again a backstepping approach. “Classical” control algorithms τ may be used [17, sect. 4].

- **Contact force feedback (tactile control):** recently this has been recognized as an important capability in some robotic tasks [203, 328, 329]. Which contact force models should be chosen, rigid or compliant ([203] extends a procedure outlined in [93, section 5.5.3] and using Lyapunov functions as in [330]) ? As seen above, only tactile feedback may change the structure of the CP. Problems with measurement delays specific to contact tasks are studied in [331, 332]. From a technological point of view, sensors able to detect slippage, vibrations, deformations, pressure, *etc.* are needed to implement such feedback inputs. Tactile control is certainly needed for some complex tasks.

- **Robustness:** as is well-known [333], the most-difficult-to-deal-with source of uncertainties may be the contact geometry, through $\frac{\partial h}{\partial q}$ and H_t . This propagates in all the developments in sections 2.1, 2.2, 2.3, through the matrices $D_{nn}(q)$, $D_{nt}(q)$, $G(q, \dot{q}, t)$, $H_c(q, \dot{q}, \tau, t)$, *etc.* Let $h(q) = h_o(q) + \Delta h(q)$. The (frictionless) CP in (3) becomes $0 \leq \lambda_n \perp (\nabla h_o^\top M^{-1} \nabla h_o + \Delta D_{nn}) \lambda_n + G + \Delta G + \tilde{\tau} + \Delta \tilde{\tau} \geq 0$, with $\Delta D_{nn} \triangleq \nabla \Delta h^\top M^{-1} \nabla \Delta h + \nabla h_o^\top M^{-1} \nabla \Delta h + (\nabla h_o^\top M^{-1} \nabla \Delta h)^\top$, $\Delta G \triangleq -\nabla \Delta h^\top M^{-1} F + \frac{d}{dt}(\nabla \Delta h^\top) \dot{q}$. Thus, uncertainties gradients and their time-derivative should not be too large just to guarantee the CP’s well-posedness: *CP’s ill-posedness main sources are friction and uncertain contact geometry.* In manipulation uncertainties mainly stem from object’s geometry, in biped robots from ground’s geometry. Tools from Complementarity Theory (LCP stability, Aubin’s calmness) are at the core of this topic.

- In some important cases (balancing bipeds [29, 30], object grasping [14, 15, 16, 17, 18], kinematic chains with joint clearance [3]) it is desired to impose persistent contact, hence impacts are absent from the design. The contact framework is therefore that of section 2.1: [30] use (4) assuming that (5) holds true, hence $\lambda_n = -D_{nn}(q)^{-1}(G(q, \dot{q}, t) + \tilde{\tau})$. The algorithm in [30, P1-P6] follows a backstepping strategy.

- The control design is sometimes done assuming that the system remains all the time in a persistent contact mode, see *e.g.* [240, 239, 334], which means that the input constraint (5) is always satisfied. This may be justified in some cases (if the payload of a crane system is very large so that the slackness mode is likely to never be activated and the cable remains taut). Clearly in general robot-object systems this is a bold assumption. The persistent contact dynamics is used in [334, Equations (3)–(12)] to transform the dynamics in a way similar to (20), where the multipliers no longer appear. Then further equalities are used to obtain the dynamics at the object’s level, as usually done in grasping (see section 2.3). The obtained transformed system has the required triangular form and is controlled with a backstepping scheme.

- **Switching-DAE model and control:** basically, complementarity systems can be seen as systems that switch between differential-algebraic equations, where the equality constraints are given by the CP modes. The switching-DAE approach has been widely used in biped locomotion control [28]. In a broader context, each equality-constrained subsystem can be controlled using techniques derived for DAE [122, 335]. However, one should not forget the fact that the switching rule is given by the CP (which is a controlled LCP), secondly switchings which involve an increase in the system’s dimensions (in other words, the number of active constraints

is augmented) are necessarily accompanied, in the case of (1), *i.e.*, of relative degree 2 systems, by impacts (this is sometimes neglected [336]), thirdly it is not always easy to get an independent set of generalized coordinates that is valid globally for each DAE (this is easy for biped robots). Finally the number of DAE systems to be taken into account, increases exponentially fast with the number of unilateral constraints m (and friction adds more modes due to stick and slip phases): this may be a strong obstacle in many cases which are not “toy systems” (as most of those presented in this article, and which are just meant to illustrate the purpose).

- **Switching controller:** robot-object systems have intrinsic switching dynamics, see section 2.6. Therefore designing switching inputs comes as a natural idea. In the framework of fully actuated complementarity Lagrangian systems, switching passivity-based inputs have been analyzed in [140, 141, 142, 279]. Consider the simple example in sections 3.1.1, 3.1.2 and 3.1.3: a general task involves juggling (section 3.1.1), catching (section 3.1.3), persistent contact (section 3.1.2). Therefore switching between three “basic” controllers may be one solution. In the bipedal robots control, switching coordinates yield switching inputs at each step. But the switching can also stem from multicontact sole/ground model, which implies that (6) or (10) or (17) are changing along the foot/ground contact process: heel, flat, toes successively activate/deactivate unilateral constraints (the index set $\alpha(t)$ in (26) increases and then decreases). The passivity-based (IDA-PBC) controllers designed in [337, 338] switch along such foot/ground contact evolution (since the Delassus matrix changes), but the input constraints and the collisions are not incorporated in the study. Switching controllers seem mandatory for some clearance systems as in Figure 14 (b) [302].

- **Open-loop control:** this has been applied mainly to juggling systems, with so-called blind jugglers [339, 154, 247, 340]. Perturbation analyses [339] show that it may possess some local stability/robustness properties (that depend a lot on contact geometry).

6 Conclusions and Perspectives

The objective of this article is mainly to show that the robot-object class of nonsmooth mechanical systems, gathers many different robotic systems which share the same global structure. These systems have the peculiar feature that contacts, impacts and/or friction are necessary to achieve their control: they are contact/impact-aware systems. Firstly we present the main analytical tools which are mandatory using for the understanding of their dynamics, as well as some modeling ingredients which are well-suited to such multibody dynamical systems. Secondly a list of various robotic (and non-robotic) systems is provided which all can be recast into the robot-object class. Most of the examples are mechanical systems, but it is shown that some circuits (electrical or hydraulics) can also be recast into robot-object systems. In each case the dynamics is written in details and some comments are made. Thirdly the main contributions in the Automatic Control and the Robotics literatures concerning robot-object systems’ control are summarized. It appears clearly that in spite of the fact that several subclasses of robot-object systems have been studied thoroughly in a separate way, a deep reflection about how to use their similarities (when they exist) for their control is still largely lacking. A first direction of research could consist of analyzing each one of the above examples in details. Let us provide an attempt about possible future investigations:

1. **Modeling:** in Automatic Control modeling is at the root of everything. The most sensitive aspect in robot-object systems may be impact modeling (with or without friction). Indeed collision mappings determinate the operator (19), which allows to compute post-impact velocities as a function of pre-impact ones, which in turn are a fundamental step in the control design (*via* the backstepping algorithm). As alluded to through several examples, compliant contact yields different complementarity contact problems (that can be interpreted as a change of relative degree). It is therefore of utmost importance to use more complex and realistic impact models in order to tackle the control of complex robotic tasks. In this setting the use of “traditional” modeling *vs.* data-driven methods, needs to be investigated.

2. Moreau’s second order sweeping process (SOSwP) [6, section 5.2] [52, 106]: this is a very interesting, compact formulation of complementarity Lagrangian systems, which encapsulates a particular impact law that is an extension of Newton’s kinematic law. It has been used in [272] for observer design, in [142] for tracking control design. We saw in (42) that it can fit very well with some robot-object dynamics. One advantage is that it can be very efficiently discretized [7]. Its impact law is not always realistic [106], but it is if geometrical effects and kinetic angles prevail in the multiple impact, as for rocking blocks. Moreover as pointed out earlier in this article, it may not be worse than many impact laws which have been used in the literature. The SOSwP is formulated as:

$$M(q(t))dv + C(q(t), v(t^+))v(t^+) + g(q(t)) \in -\mathcal{N}_{\mathcal{T}_{\Phi}^h(q)} \left(\frac{v(t^+) + e_n v(t^-)}{1 + e_n} \right). \quad (77)$$

where $e_n \in [0, 1]$ is a global kinematic CoR. The left-hand side in (77) is the Lagrange dynamics written with measures, where the acceleration $\ddot{q}(t)$, which is a singular measure at impact times, is replaced by its so-called differential measure dv (roughly speaking, and in spite of the fact that this is mathematically not exact, $dv = \ddot{q}(t)dt + \sum_{k \geq 0} (v(t_k^+) - v(t_k^-))\delta_{t_k}$, where dt is the Lebesgue measure, t_k are the impact times, δ_t is the Dirac measure at t). The normal cone to the tangent cone in the right-hand side of (77) is a compact way to encapsulate complementarity constraints, as well as lexicographical inequalities that rule constraints activation/deactivation. It is called Moreau’s set. More details on Moreau’s set are given in [6] [52, section 4.2.1]. As pointed out in section 2.2, in the frictionless case the SOSwP yields at an impact time an impact law which can be formulated equivalently as an LCP whose unknowns are the local velocities $v_{n,i}$. The case with friction can be formulated as a cone LCP in the 3-dimensional case using De Saxcé’s transformation [7, 6], or as a specific nonlinear CP in the planar case, using the equivalent form of the set-valued sign function [160, 6, 7].

3. Multirobot-multiobject (MR-MO) systems: a biped robot which juggles with balls with one hand, opens a door with the other hand, and walks on a granular matter, may be understood as a robot-object composed of four subsystems: the biped (with a robot and an object parts), the balls, the door and the granular (three objects). Manipulation with quadrupeds and cables [214] typically falls into this class: quadrupeds (each comprising a robot and an object part), the manipulated object (subject to friction), and the cables (creating a complementarity constraint). A cable-driven parallel robot [236] where the frame to which cables and winches are bound, is itself floating (in addition to the internal moving platform), also has an MR-MO structure. Such complex tasks are challenging for control [133], and they show that the robot-object class (1) can be made more and more complex. The case of dynamical objects also requires attention (a “robot” may juggle with a dynamical “inertially driven object” [181]). Then a further decomposition of the dynamics is necessary to recast the overall system into (1), see Fig. 18.
4. Discrete-time implementations: what is the influence on stability? Could the implicit method, which has proved to be successful in numerical simulation (see next item) and in sliding-mode control and differentiators [341], be applied for implementation of robot-object systems? Consider the frictionless case, then the Euler implicit discretization of (1) yields the LCP at time t_{k+1} and if $h(q_k) \leq 0$ (contact mode):

$$0 \leq \mu_{n,k+1} \perp D_{nn}(q_k)\mu_{n,k+1} + G(q_k, \dot{q}_k, t_k) + \tilde{\tau}_k \geq 0, \quad (78)$$

which is the discretized version of (3). The solution $\mu_{n,k+1}(q_k, \dot{q}_k, t_k, \tilde{\tau}_k)$ to the LCP (78) is piecewise linear in $\tilde{\tau}_k$ and it can be inserted in a discretized version of (1) (for instance an explicit Euler discretization for the smooth terms), to get a piecewise continuous discrete-time system. For (1) the Euler discretization

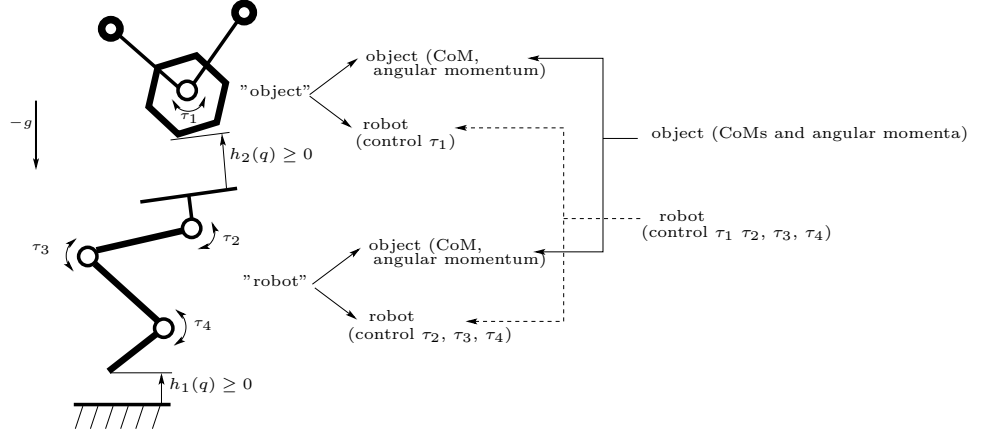


Figure 18: A robot juggling with a dynamic inertially-driven object.

reads as:

$$\begin{cases} M_1(q_{1,k})\dot{q}_{1,k+1} = M_1(q_{1,k})\dot{q}_{1,k} - hF_1(q_{1,k}, \dot{q}_{1,k}, t_k) + \frac{\partial h}{\partial q_1}^\top(q_{1,k})\mu_{n,k+1}(q_k, \dot{q}_k, t_k, \tilde{\tau}_k) \\ M_2(q_{1,k})\dot{q}_{2,k+1} = M_2(q_{1,k})\dot{q}_{2,k} - hF_2(q_{2,k}, \dot{q}_{2,k}, t_k) + \frac{\partial h}{\partial q_2}^\top(q_{2,k})\mu_{n,k+1}(q_k, \dot{q}_k, t_k, \tilde{\tau}_k) + E(q_{2,k})\tau_k \\ 0 \leq \mu_{n,k+1} \perp h(q_{1,k+1}, q_{2,k+1}) \geq 0 \\ \text{Impact and friction models,} \end{cases} \quad (79)$$

where $h > 0$ is the timestep (or sampling period), and (79) is the discrete-time counterpart of (3). The advantage is that one can formulate discrete-time problems for control design (optimal control or else), which can be solved with efficient numerical solvers. Most importantly, *this discretization encompasses impact times, because the primary variable in the Moreau-Jean algorithm is $\mu_{n,k+1} = h\lambda_{n,k+1}(q_k, \dot{q}_k, t_k, \tilde{\tau}_k)$ [7], which is always bounded.* The control of the discrete-time system (78) (79), PWL in τ_k , can be studied for each $h > 0$. The application of the discrete-time controller to the continuous-time system (1), then deserves close attention: how does the stability in the discrete setting evolve when $h > 0$? Is the closed-loop system well-behaved when $h > 0$ becomes small? Also the discrete-time system (79) can be used in a dynamic programming environment to compute some optimal trajectories. The presence of complementarity constraints yields a particular class of optimization problems, named MPLCC (mathematical program with linear complementarity constraints) or MPEC (mathematical program with equilibrium constraints). At this stage a discussion about (79) and its relationship with (77) is mandatory. In essence, (79) is an event-driven method [7], *i.e.*, one needs to apply some event-detection algorithm to detect impacts and stick/slip transitions. Another, powerful approach consists in discretizing (77) with an event-capturing time-stepping scheme (named the catching-up algorithm by J.J. Moreau):

$$\begin{cases} M(q_k)(v_{k+1} - v_k) + hC(q_k, v_{k+1})v_{k+1} + hg(q_k) \in -\mathcal{N}_{\mathcal{T}_\Phi^h(q_k)}\left(\frac{v_{k+1} + e_n v_k}{1 + e_n}\right) \\ q_{k+1} = q_k + hv_{k+1} \end{cases} \quad (80)$$

which is the same scheme as (78) (79), with a specific impact model. A great deal of work has been published about (80) and its variants, see [7]. Especially the Moreau-Jean event-capturing algorithm allows to solve numerically generalized equations as (19), with frictional contact.

5. Numerical simulation (implicit *vs.* explicit Euler event-capturing time-stepping methods): the Moreau-Jean algorithm and its variants (like the Stewart-Trinkle algorithm[342]) prove to be very efficient for systems with unilateral contact, impacts and set-valued friction [7, 343]. To the best of the author's

knowledge, commercial software toolboxes do not incorporate such time-stepping schemes (or, they are based on regularized friction, that is to be avoided to take sticking modes into account). The open-source INRIA library SICONOS [343]² is dedicated to nonsmooth systems (mechanical or circuits). Some Robotics simulators incorporate rigid contact models [119]. It is possible that other types of contact/impact models have to be used to simulate some systems, like those pertaining to class **b**) in section 2.2.

6. A better understanding of common features of the subclasses of robot-object systems presented in this article is needed: as we saw, in spite of the fact that they all share the same global structure that lends itself naturally to a backstepping strategy, it remains unclear whether or not they could be recast into a small number of subclasses sharing same control properties. This has been done in some cases (*e.g.*, jugglers \approx hoppers) but a more systematic analysis is still lacking.
7. Notions and parameters that can be used for several subclasses and tasks:
 - (a) form or force closure for all robotic tasks which involve sticking contacts (balancing bipeds, manipulation, climbing machines): in all cases the challenge is to determine conditions under which contacts are kept and can counteract disturbances. This involves the sticking contact problems detailed in section 2.1. An underlying question concerns the similarities/differences between the climbing robot in Fig. 13, and the prehensile manipulation robot in Fig. 9. It has also long been understood that stability notions developed primarily for manipulation systems [344, 257, 345] also apply to biped robots stability analysis [54].
 - (b) kinetic angles between the unilateral constraints [6, p.403]: kinetic angles encapsulate both geometrical and inertial effects, hence their great usefulness as a parameter for (1) (the Delassus' matrix $D_{nn}(q)$ in (2) is the matrix of kinetic angles: it is diagonal if all constraints are mutually orthogonal in the kinetic metric). Their influence is obvious in certain cases (stability: slenderness of rocking blocks, gait length in a walking biped robot for a given masses distribution; catching task with obtuse or acute angle), where the (dis)continuity with respect to initial data is an important property. They also play a role in impact controllability [264, 1]). Their role is important but less evident in other applications (dimers on a plate have the ability to move forward/backward because of their kinetic angle and friction). This is sometimes called the aspect ratio (in the rocking block literature). A new kind of kinetic angles, defined from the Delassus' matrix, is introduced in section 4.2. This seems to play a crucial role in the object's controllability from τ during persistent contact modes.
 - (c) number of constraints m : multiple unilateral constraints can be used in a sequential way (sequential impacts, contact-switching between various surfaces with constraints activation or deactivation), or in a simultaneous way (multiple impacts, or persistent contact with several surfaces). It is clear that m plays a major role in legged locomotion (a quadruped is usually easier to stabilize than a biped), object manipulation (the more fingers the more manipulability). But, kinetic angles also may play a significant role (see the previous item). In some applications m can be very large (*e.g.*, a biped's foot with detailed sole modeling).
 - (d) Poincaré mappings: find applications in all systems with repeated-impact trajectories (vibro-impact systems, jugglers, running bipeds) or with repeated stick-slip transitions. The Poincaré surfaces are usually chosen from (26) and (27).
8. Unified control frameworks:
 - (a) As we pointed out at in the foregoing sections, backstepping furnishes a generic three-step framework for the control design of (1), no matter the control objective may be (impacting trajectories,

²<https://nonsmooth.gricad-pages.univ-grenoble-alpes.fr/siconos/index.html>

persistent contact trajectories, or both). This is intimately linked with the interaction potential function between the robot and the object (see section 1). How do the particular features of robotic tasks influence the control design at each step of the backstepping algorithm ? This is certainly a complex problem, and only partial answers have been given so far.

- (b) As we saw in the foregoing sections, several robot-object systems are equivalent (jugglers and hoppers, three-ball and particle hitting an angle, *etc*). Control strategies which apply to several subclasses of (1) have been proposed in [1] (recursive backstepping strategy, impacting trajectories, dead-beat control of the robot), [13] (similar, with adaptive control for the restitution, one-dof hoppers and jugglers), [3] (persistent-contact control and impacting trajectories, kinematic chains with clearance), [68] (use the analogy between bipedal locomotion and some manipulation mechanisms), [29] (persistent-contact in biped balancing and grasping tasks), [268] (combined impulsive and continuous-time inputs to stabilize hopping, tapping, crawling, walking simple systems), [189] (stabilization of various gaits -tapping, galloping, hopping- for an inertially driven system). Is there a unique control strategy that could be designed for (1), encompassing all possible robotic tasks ? Or is this just out of reach, so that we should better look for subclasses (as large as possible) of (1) which enjoy sufficient common features to be embedded in a single control strategy (itself embedded in a backstepping algorithm) ? Or should we look for both subclasses of (1) and associated specific tasks (bipeds which run, or which walk; machines which juggle, or which hold firmly objects) ? As alluded to above, future robotic tasks may be more and more complex, so that robots may have to perform tasks which involve all phases of motion, so that classifying them into subclasses may lose its usefulness and meaning: a legged machine will have to walk, to run, to hop, to stay balanced, with sticking or slipping feet, while taking and putting different objects with the hands. Even if switching between several low-level feedback controllers may be planned, the overall behaviour of (1) under such nonsmooth controllers has to be studied. Due to the switching nature of (1), controllers which enjoy finite-time convergence properties and which accomodate with inequality constraints (sliding-mode and model-predictive controllers -MPC- have long been known to be suitable in this respect), seem to be good candidates. MPC has been applied to bipedal robots [23] and to juggling systems [310].
- (c) Underactuated robots: the robot in (1) (b) can be underactuated while the control objectives are still attained, see [225] for the case of a snake robot, [346, 136] for juggling systems. It could be of interest to determine the role of the robot-object interactions in the ability of the system to bear a higher degree of underactuation. For instance, anisotropic friction seems to be quite useful to improve the set of possible trajectories. The control of systems with very high underactuation degree $n_1 + n_2 - p$ (*i.e.*, $n_1 \gg 1$) as in Fig. Fig. 3 (a), 4 (b) and 5 (c), remains largely open. This certainly implies to consider new controllability notions and new control targets.
- (d) As recalled above, the dynamics (1) is efficiently time-discretized with event-capturing time-stepping schemes. Could the control design be analyzed in discrete-time from these schemes (which have the advantage of using constant time-steps (or sampling periods in a control-oriented language), and including all phases of motion, including impacts and dimension changes) ? Preliminary promising results are in [276, 315, 313].

9. State observers could be developed for (1) with output (q_2, \dot{q}_2) , to estimate (q_1, \dot{q}_1) . Here it seems that two main strategies could be planned: observability through impacts [110, 275], and observability with persistent contact (then a specific input has to be applied to keep the contact, see section 2.1). Due to the (usually) finite duration of modes, finite-time observers and differentiators could be quite useful (then it is crucial that their digital implementation be realized correctly, see [347, 348]).

10. As alluded to in section 2.3, realistic applications often involve unilateral and bilateral constraints. Control

design should take this level of generality into account. Let us consider the system (inspired from [123, 6]) in Fig. 19 (a). The mass m_1 slides horizontally and the mass m_2 slides vertically, $q = (x_1, y_2)^\top$. The dynamics is given by:

$$\begin{cases} m_1 \ddot{x}_1 = -\sin(\alpha)\lambda_n^b - \cos(\alpha)\lambda_t^b + \tau \\ m_2 \ddot{y}_2 = \cos(\alpha)\lambda_n^b - \sin(\alpha)\lambda_t^b - \lambda_n \\ 0 \leq \lambda_n \perp L - y_2 \geq 0 \\ f(q) = \cos(\alpha)y_2 - \sin(\alpha)x_1 + \beta = 0 \\ \lambda_t^b \in -\mu|\lambda_n^b|\text{sgn}(v_t^b), v_t^b = -\cos(\alpha)\dot{x}_1 - \sin(\alpha)\dot{y}_2 \\ -\dot{y}_2(t_k^+) = e_n \dot{y}_2(t_k^-) \text{ if } \dot{y}_2(t_k^-) > 0 \text{ and } L - y_2(t_k) = 0, \end{cases} \quad (81)$$

where β is a constant, $\alpha \in [0, \frac{\pi}{2}]$ ($f(q)$ stems from the fact that if the mass m_1 moves horizontally by $\dot{x}_1 \delta t$, a contact point on the contact surface moves in the normal direction by $\dot{x}_1 \sin(\alpha) \delta t$, while the same contact point of the mass m_2 moves in the contact surface normal direction by $\dot{y}_2 \cos(\alpha) \delta t$, hence $\dot{x}_1 \sin(\alpha) = \dot{y}_2 \cos(\alpha)$). Thus $q_1 = y_2$ (object), $q_2 = x_1$ (robot). Using $\nabla f(q)^\top \dot{q} = 0$ easily yields $\cos(\alpha)\dot{y}_2 = \sin(\alpha)\dot{x}_1 \Leftrightarrow \dot{y}_2 = \tan(\alpha)\dot{x}_1 \Leftrightarrow \ddot{y}_2 = \tan(\alpha)\ddot{x}_1$ (equivalence holds because of initial conditions). Few manipulations yield, using $f(q) = \dot{f}(\dot{q}) = \ddot{f}(\ddot{q}) = 0$:

$$\begin{cases} \frac{m_1 \cos^2(\alpha) + m_2 \sin^2(\alpha)}{\sin(\alpha)} \ddot{y}_2 \in -\sin(\alpha)\lambda_n + \cos(\alpha)\tau + \mu|\lambda_n^b|\text{sgn}\left(\frac{\dot{y}_2}{\sin(\alpha)}\right) \\ (m_1 - m_2) \cos(\alpha) \ddot{y}_2 = \sin(\alpha)\tau + \cos(\alpha)\lambda_n - \lambda_n^b. \end{cases} \quad (82)$$

Therefore the first equation in (82) is

$$\frac{m_1 \cos^2(\alpha) + m_2 \sin^2(\alpha)}{\sin(\alpha)} \ddot{y}_2 \in -\sin(\alpha)\lambda_n + \cos(\alpha)\tau + \mu|(m_1 - m_2) \cos(\alpha) \ddot{y}_2 - \sin(\alpha)\tau - \cos(\alpha)\lambda_n| \text{sgn}\left(\frac{\dot{y}_2}{\sin(\alpha)}\right) \quad (83)$$

If $\mu = 0$, this is a simple complementarity system, but if $\mu > 0$ this is a nonsmooth nonlinear system. *For control design it is unclear whether or not it is better to use the robot-object formalism in (81), or the reduced-order form in (83).*

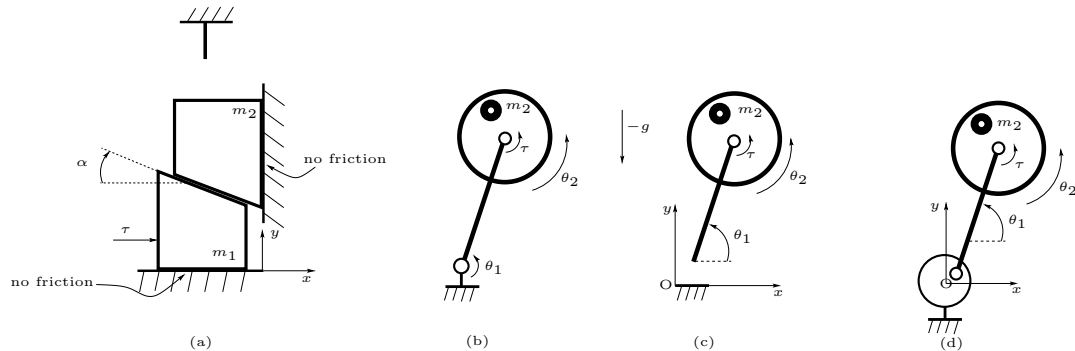


Figure 19: Systems with bilateral and unilateral constraints: (a) gear transmission, (b) inverted pendulum, (c) hopper, (d) inverted pendulum with joint clearance.

The systems in Fig. 19 (b) (c) (d) are inertially driven (see section 3.5). The mass m_2 attached to the homogenous disk creates an unbalance exciter. There is a unique control torque τ at the disk revolute joint. The dynamics are detailed in C. The system in (91) is an inertially driven underactuated system (just as acrobots and pendubots are), where the unbalance exciter couples both dynamics (they are decoupled if $r_2 = 0$).

11. Dynamics transformations: the example in Fig. 19 (b) (c) is a good motivation to show that a class of systems can be transformed in a systematic way to robot-object systems. Indeed all the examples in this article stem from mechanical principles, not from generalized coordinate (or state) transformations. Consider the system:

$$\begin{cases} M_{11}(z)\ddot{z}_1 + M_{12}(z)\ddot{z}_2 + F_{z_1}(z_1, z_2, \dot{z}_1, \dot{z}_2) = \frac{\partial h}{\partial z_1} \lambda_n \\ M_{12}^\top(z)\ddot{z}_1 + M_{22}(z)\ddot{z}_2 + F_{z_2}(z_1, z_2, \dot{z}_1, \dot{z}_2) = \frac{\partial h}{\partial z_2} \lambda_n + \tau \\ 0 \leq \lambda_n \perp h(z_1, z_2) \geq 0, \end{cases} \quad (84)$$

with $\begin{pmatrix} M_{11}(z) & M_{12}(z) \\ M_{12}^\top(z) & M_{22}(z) \end{pmatrix} \succ 0$. Assume that $M_{11}(z)\ddot{z}_1 + M_{12}(z)\ddot{z}_2 + F_{z_1}(z_1, z_2, \dot{z}_1, \dot{z}_2) = M_1(q_1)\ddot{q}_1 + F_1(q_1, \dot{q}_1)$ for some $q_1(z_1, z_2)$, $M_1(q_1) \succ 0$ and $F_1(q_1, \dot{q}_1)$ (see Lemma 1 in C). Then (84) can be rewritten as:

$$\begin{cases} (a) M_1(q_1)\ddot{q}_1 + F_1(q_1, \dot{q}_1) = \frac{\partial h}{\partial z_1} \lambda_n \\ (b) (M_{22}(z) - M_{12}^\top(z)M_{11}^{-1}(z)M_{12}(z))\ddot{z}_2 + F_{z_2}(z, \dot{z}) + M_{21}(z)M_{11}^{-1}(z)F_{z_1}(z, \dot{z}) \\ = \left(\frac{\partial h}{\partial z_2} - M_{21}(z)M_{11}^{-1}(z)\frac{\partial h}{\partial z_1} \right) \lambda_n + \tau \\ (c) 0 \leq \lambda_n \perp h(z_1, z_2) \geq 0. \end{cases} \quad (85)$$

where $M_{22}(z) - M_{21}(z)M_{11}^{-1}(z)M_{12}(z) \succ 0$ from the Schur complement theorem [93, Theorem A.65]. The dynamics (85) does not exactly fit with (1) without further assumptions, see the example in C. Other transformations certainly exist. The generalized coordinate change from a Lagrangian model of bipedal robots, to its centroidal dynamics with block-diagonal mass matrix (as in (1)) is studied in [349] [350, Section 3.9].

12. Data-driven (empirical, machine learning, AI techniques, big data) approaches: from a general viewpoint, it is known that Automatic Control with “classical” modelling and Machine-Learning are complementary one each other [351, 352]. Data-driven methods have been applied in manipulation and grasping [327, 73, 156, 353, 328, 138], biped walking machines [354, 355, 356], hoppers [356], quadruped machines [129], juggling systems [357, 358, 359, 360]. They may be model-free methods, or incorporate some modeling (like the restitution model [357], Lagrangian dynamics [359]), with or without feedback (reward functions are a feedback action which uses the error between the actual and the desired trajectories [357]). As noted in [357], applying reinforcement learning to a system as simple as a ping-pong robot player (similar to the juggling system in Fig. 3 (b)), would require millions of exploring and failing tasks, which is impossible. Thus in general training a robot for all possible scenarii is just out of reach due to necessary experimental time, and high cost [356]. Consequently it is likely that these approaches do not apply uniformly to all systems (1), depending on parameters n , m , \bar{m} , CP uncertainties, *etc.*, on the control objective and task complexity. One solution is the use of good, reliable simulators to replace the experiments [356]. Complementarity and input constraints usually play significant roles in nonsmooth systems, hence incorporating good contact models is of utmost importance. As noted above, very few (open-source or commercial) software packages are dedicated to the simulation of nonsmooth mechanical systems [7, 343]. Though these methods intrinsically possess some universal (model-free) properties, our nonsmooth systems still pose interesting challenges [361]. Friction models can be derived from data-driven algorithms [98]. An important point is to determine to which accuracy data-driven methods approximate the complex dynamics (1) so that it does not deteriorate too much the performance, to which type of task they apply ([362] points out serious difficulties with too stiff contact, [359] incorporate unilateral constraints in their model-based reinforcement learning algorithm), and how much effort is necessary to implement them (data-driven methods being far from some kind of universal solution to all problems [351]). Koopman operators method, which consists of linearizing a finite-dimensional system by replacing it with an infinite-dimensional operator [363, 364] has been applied to some hybrid systems [364, 365].

It remains to be proved that it applies to complementarity systems, using for instance the discrete-time event-capturing schemes introduced above.

13. Deformable bodies: the manipulation of deformable objects with rigid-body robots [366, 367, 204, 246], of rigid objects with flexible arms (grasping with beams) [368], of rigid objects with sheets or clothe-like robots [74], flexible inchworm systems [369], require models that stem from continuum mechanics. There certainly still exist many open challenges for their control as robot-object systems modeled with coupled ODE and PDE, especially when impacts and friction are involved.
14. Landing aircrafts on moving platforms: as recalled in section 3.1.8 most of the results do not consider possible impacts, hence may lack of robustness. Consider Fig. 3 (c), an interesting issue is the stabilization of m_2 on m_1 when m_1 is connected to the wall with a linear or nonlinear spring-dashpot system [6, chapter 2].

A Lagrange Dynamics of the Jumping Robot in (49)

The coordinates of O_1 and O_2 in (O, i, j) are (x_1, y_1) and (x_2, y_2) , respectively. The kinetic energy is $T = \frac{1}{2}m_1(\dot{x}_1^2 + \dot{y}_1^2) + \frac{1}{2}m_2(\dot{x}_2^2 + \dot{y}_2^2)$. The following relations hold:

$$\begin{aligned}
x_1 &= x_c + l_1 \sin(\theta_1), \quad y_1 = y_c - l_1 \cos(\theta_1), \quad x_2 = x_c + l_2 \cos(\theta_2), \quad y_2 = y_c + l_2 \sin(\theta_2), \\
x &= \frac{1}{m_1+m_2}(m_1x_1 + m_2x_2), \quad y = \frac{1}{m_1+m_2}(m_1y_1 + m_2y_2), \\
x_1 &= x + \frac{m_2}{m_1+m_2}(l_1 \sin(\theta_1) - l_2 \cos(\theta_2)), \quad y_1 = y + \frac{m_2}{m_1+m_2}(-l_1 \cos(\theta_1) - l_2 \sin(\theta_2)), \\
x_2 &= x + \frac{m_1}{m_1+m_2}(-l_1 \sin(\theta_1) + l_2 \cos(\theta_2)), \quad y_2 = y + \frac{m_1}{m_1+m_2}(l_1 \cos(\theta_1) + l_2 \sin(\theta_2)), \\
\dot{x}_1 &= \dot{x} + \frac{m_2}{m_1+m_2}(l_1\dot{\theta}_1 \cos(\theta_1) + l_2\dot{\theta}_2 \sin(\theta_2)), \quad \dot{y}_1 = \dot{y} + \frac{m_2}{m_1+m_2}(l_1\dot{\theta}_1 \sin(\theta_1) - l_2\dot{\theta}_2 \cos(\theta_2)), \\
\dot{x}_2 &= \dot{x} + \frac{m_1}{m_1+m_2}(-l_1\dot{\theta}_1 \cos(\theta_1) - l_2\dot{\theta}_2 \sin(\theta_2)), \quad \dot{y}_2 = \dot{y} + \frac{m_1}{m_1+m_2}(-l_1\dot{\theta}_1 \sin(\theta_1) + l_2\dot{\theta}_2 \cos(\theta_2)).
\end{aligned} \tag{86}$$

The kinetic energy in the coordinate $q = (x, y, \theta_1, \theta_2)^\top$ is equal to:

$$T = \frac{1}{2}(m_1 + m_2)(\dot{x}^2 + \dot{y}^2) + \frac{1}{2} \frac{m_1 m_2}{m_1 + m_2} (l_1^2 \dot{\theta}_1^2 + l_2^2 \dot{\theta}_2^2 + l_1 l_2 \dot{\theta}_1 \dot{\theta}_2 \sin(\theta_2 - \theta_1)). \tag{87}$$

The potential energy is equal to:

$$U = -m_1 g y_1 - m_2 g y_2 = -(m_1 + m_2) y. \tag{88}$$

The Lagrange dynamics $\frac{d}{dt} \frac{\partial(T-U)}{\partial \dot{q}} - \frac{\partial(T-U)}{\partial q} = Q$ furnish the mass matrix

$$M(q) = \begin{pmatrix} m_1 + m_2 & 0 & 0 & 0 \\ 0 & m_1 + m_2 & 0 & 0 \\ 0 & 0 & \frac{m_1 m_2 l_1^2}{m_1 + m_2} & \frac{m_1 m_2 l_1 l_2 \sin(\theta_2 - \theta_1)}{m_1 + m_2} \\ 0 & 0 & \frac{m_1 m_2 l_1 l_2 \sin(\theta_2 - \theta_1)}{m_1 + m_2} & \frac{m_1 m_2 l_2^2}{m_1 + m_2} \end{pmatrix}$$

and the centrifugal/Coriolis generalised forces equal to $C(q, \dot{q})\dot{q}$, where

$$C(q, \dot{q}) = \begin{pmatrix} 0 & 0 & 0 & 0 \\ 0 & 0 & 0 & 0 \\ 0 & 0 & 0 & \frac{m_1 m_2 l_1 l_2 \cos(\theta_2 - \theta_1)}{m_1 + m_2} \dot{\theta}_2 \\ 0 & 0 & -\frac{m_1 m_2 l_1 l_2 \cos(\theta_2 - \theta_1)}{m_1 + m_2} \dot{\theta}_1 & 0 \end{pmatrix}$$

so that $\dot{M}(q, \dot{q}) - 2C(q, \dot{q})$ is skew-symmetric [93, Lemma 6.17]. The angular momenta of links 1 and 2 with respect to G in the frame (O, i, j) are $H_{O_1/G} = GO_1 \times m_1 \frac{d}{dt} GO_1$ and $H_{O_2/G} = GO_2 + m_2 \frac{d}{dt} GO_2$. Calculations

using $GO_i = \begin{pmatrix} x_i - x \\ y_i - y \\ 0 \end{pmatrix}$ and the relations in (86) yield $H_{O_1/G} = \frac{m_1 m_2^2}{(m_1 + m_2)^2} (l_1^2 \dot{\theta}_1 + l_2^2 \dot{\theta}_2 + l_1 l_2 (\dot{\theta}_1 + \dot{\theta}_2) \sin(\theta_2 - \theta_1))$

and $H_{O_2/G} = \frac{m_1^2 m_2}{(m_1 + m_2)^2} (l_1^2 \dot{\theta}_1 + l_2^2 \dot{\theta}_2 + l_1 l_2 (\dot{\theta}_1 + \dot{\theta}_2) \sin(\theta_2 - \theta_1))$. Hence $m(t) = H_{O_1/G}(t) + H_{O_2/G}(t)$.

The matrices $H_1(q)$ and $H_2(q)$ in (1) are calculated noticing that $\lambda_{t,1}$ performs work on δx_{P_1} , and $\lambda_{t,2}$ performs work on δx_{P_2} , with $\dot{x}_{P_1} = \dot{x} + (l_1 + l_3 - \frac{m_1 l_1}{m_1 + m_2}) \dot{\theta}_1 \cos(\theta_1) + \frac{m_2 l_2}{m_1 + m_2} \dot{\theta}_2 \sin(\theta_2)$, $\dot{x}_{P_2} = \dot{x} - \frac{m_1 l_1}{m_1 + m_2} \dot{\theta}_1 \cos(\theta_1) - (l_2 + l_4 - \frac{m_2 l_2}{m_1 + m_2}) \dot{\theta}_2 \sin(\theta_2)$. It is possible to add a torsional elasticity $k_{tor} > 0$ and viscous Rayleigh dissipation with coefficient $c > 0$ at the joint C . They take the form of torques in the third and fourth lines of (49) whose left-hand sides take the form:

$$\begin{cases} \frac{m_1 m_2 l_1^2}{m_1 + m_2} \ddot{\theta}_1 + \frac{m_1 m_2 l_1 l_2}{m_1 + m_2} \sin(\theta_2 - \theta_1) \ddot{\theta}_2 + \frac{m_1 m_2 l_1 l_2}{m_1 + m_2} \cos(\theta_2 - \theta_1) \dot{\theta}_2^2 + k_{tor}(\theta_1 - \theta_2) + c(\dot{\theta}_1 - \dot{\theta}_2) \\ \frac{m_1 m_2 l_1 l_2}{m_1 + m_2} \sin(\theta_2 - \theta_1) \ddot{\theta}_1 + \frac{m_1 m_2 l_2^2}{m_1 + m_2} \ddot{\theta}_2 - \frac{m_1 m_2 l_1 l_2}{m_1 + m_2} \cos(\theta_2 - \theta_1) \dot{\theta}_1^2 + k_{tor}(\theta_2 - \theta_1) + c(\dot{\theta}_2 - \dot{\theta}_1). \end{cases} \quad (89)$$

These are internal torques which do not influence the angular momentum $m(t)$ conservation.

B Lagrange Dynamics of the Ringing Bell in (52)

The kinetic energy is $T = \frac{1}{2} m_1 V_{G_1}^\top V_{G_1} + \frac{1}{2} m_2 V_{G_2}^\top V_{G_2}$, where velocities are expressed in the Galilean frame (O, i, j) . Using $OG_1 = \begin{pmatrix} l_1 \cos(\theta_1) \\ l_1 \sin(\theta_1) \end{pmatrix}$, and $OG_2 = \begin{pmatrix} l_3 \cos(\theta_1) + l_2 \cos(\theta_2) \\ l_3 \sin(\theta_1) + l_2 \sin(\theta_2) \end{pmatrix}$, it follows that:

$$T(\theta_1, \theta_2, \dot{\theta}_1, \dot{\theta}_2) = \frac{1}{2} (m_1 l_1^2 + m_2 l_3^2) \dot{\theta}_1^2 + \frac{1}{2} m_2 l_2^2 \dot{\theta}_2^2 + m_2 l_2 l_3 \dot{\theta}_1 \dot{\theta}_2 \cos(\theta_1 - \theta_2). \quad (90)$$

The gravity potential energy is $U(q) = -m_1 l_1 \cos(\theta_1) g - m_2 (l_1 \cos(\theta_1) + l_2 \cos(\theta_2)) g$. The torque τ_1 works on $\delta \theta_1$, while τ_2 works on $\delta(\theta_1 - \theta_2)$. The gap function $h_1(q)$ may be obtained by solving $\min_l \|PG_2\|^2$, where l denotes the distance between the bodie's upright corner and a point P lying on the bodie's right face. Denoting $\|OO_1\| = l_5$, one finds the optimal $l = l_3 - l_5 + l_2 \cos(\theta_1 - \theta_2)$. Then $h_1(q) = (PG_2)^\top \mathbf{n}$ [6, section 4.1.3], where $\mathbf{n} = \begin{pmatrix} \sin(\theta_1) \\ -\cos(\theta_1) \end{pmatrix}$ is the inwards normal vector to the right face. The same procedure is employed to compute $h_2(q)$. The angular momentum of the ringing bell with respect to O , $H_{S/O} = H_{S_1/O} + H_{S_2/O} = m_1 OG_1 \times \frac{d}{dt}(OG_1) + m_2 OG_2 \times \frac{d}{dt}(OG_2) = (m_1 l_1^2 + m_2 l_3^2) \dot{\theta}_1 + m_2 l_2^2 \dot{\theta}_2 + m_2 l_2 l_3 (\dot{\theta}_1 + \dot{\theta}_2) \cos(\theta_1 - \theta_2)$.

C Lagrange Dynamics of the Systems in Fig. 19 (b) and (c)

Consider the system in Fig. 19 (b). The moment of inertia of the ‘‘body’’ is I_1 , that of the disk is I_2 , the radius at which the mass m_2 is placed is r_2 , the mass of the disk is m_3 , the mass of the ‘‘body’’ is m_1 , the ‘‘body’’'s length is l_1 , its center of mass G_1 is placed at distance r_1 from the bottom revolute joint. The kinetic energy is $T(q, \dot{q}) = \frac{1}{2} I_1 \dot{\theta}_1^2 + \frac{1}{2} I_2 \dot{\theta}_2^2 + \frac{1}{2} m_2 (l_1^2 \dot{\theta}_1^2 + r_2^2 \dot{\theta}_2^2 + l_1 r_2 \cos(\theta_1 - \theta_2) \dot{\theta}_1 \dot{\theta}_2)$. The gravity potential energy is $U(q) = r_1 \sin(\theta_1) m_1 g + l_1 \sin(\theta_1) m_3 g + m_2 (l_1 \sin(\theta_1) + r_2 \sin(\theta_2)) g$. In the minimal coordinate $q = (\theta_1, \theta_2)^\top$, the dynamics is:

$$\begin{cases} (a) (I_1 + l_1^2 m_2) \ddot{\theta}_1 + m_2 l_1 r_2 \cos(\theta_1 - \theta_2) \ddot{\theta}_2 + m_2 l_1 r_2 \sin(\theta_1 - \theta_2) \dot{\theta}_2^2 + (r_1 m_1 + l_1 m_3 + m_2 l_1) g \cos(\theta_1) = 0 \\ (b) I_2 \ddot{\theta}_2 + m_2 l_1 r_2 \cos(\theta_1 - \theta_2) \ddot{\theta}_1 - m_2 l_1 r_2 \sin(\theta_1 - \theta_2) \dot{\theta}_1^2 + m_2 r_2 g \cos(\theta_2) = \tau, \end{cases} \quad (91)$$

where $I'_2 = I_2 + (m_2 + m_3)l_1^2 + m_2r_2^2$. Clearly $r_2 = 0$ suppresses all couplings between (91) (a) and (b), making it uncontrollable. The approach in [166] can be applied to (91), and we will see below that an extension can also apply to the nonminimal system with multipliers. Let us now pass to the system in Fig. 19 (c). We denote $OG_1 = (x_1, y_1)^\top$. The controller τ works on $\delta\theta_2 - \delta\theta_1$. The dynamics with coordinate $q = (\theta_1, \theta_2, x_1, y_1)^\top$ is given by:

$$\left\{ \begin{array}{l} \text{(a)} (I_1 + (m_2 + m_3)(l_1 - r_1)^2)\ddot{\theta}_1 - (m_2 + m_3)(l_1 - r_1) \sin(\theta_1)\ddot{x}_1 + (m_2 + m_3)(l_1 - r_1) \cos(\theta_1)\ddot{y}_1 \\ \quad + m_2r_2(l_1 - r_1) \cos(\theta_1 - \theta_2)\ddot{\theta}_2 + m_2r_2(l_1 - r_1) \sin(\theta_1 - \theta_2)\dot{\theta}_2^2 + ((m_2 + m_3)g(l_1 - r_1) \cos(\theta_1) \\ \quad = -\tau - r_1 \cos(\theta_1)\lambda_{n,1} + r_1 \sin(\theta_1)\lambda_t, \\ \text{(b)} (I_2 + m_2r_2^2)\ddot{\theta}_2 - m_2r_2 \sin(\theta_2)\ddot{x}_1 + m_2r_2 \cos(\theta_2)\ddot{y}_1 + m_2r_2(l_1 - r_1) \cos(\theta_1 - \theta_2)\ddot{\theta}_1 \\ \quad - m_2r_2(l_1 - r_1) \sin(\theta_1 - \theta_2)\dot{\theta}_1^2 + m_2r_2g \sin(\theta_2) = \tau, \\ \text{(c)} (m_1 + m_2 + m_3)\ddot{x}_1 - (m_2 + m_3)(l_1 - r_1) \sin(\theta_1)\ddot{\theta}_1 - m_2r_2 \sin(\theta_2)\ddot{\theta}_2 \\ \quad - (m_2 + m_3)(l_1 - r_1) \cos(\theta_1)\dot{\theta}_1^2 - m_2r_2 \cos(\theta_2)\dot{\theta}_2^2 = \lambda_t, \\ \text{(d)} (m_1 + m_2 + m_3)\ddot{y}_1 + (m_2 + m_3)(l_1 - r_1) \cos(\theta_1)\ddot{\theta}_1 + m_2r_2 \cos(\theta_2)\ddot{\theta}_2 - (m_2 + m_3)(l_1 - r_1) \sin(\theta_1)\dot{\theta}_1^2 \\ \quad - m_2r_2 \sin(\theta_2)\dot{\theta}_2^2 + (m_1 + m_2 + m_3)g = \lambda_n, \\ \text{(e)} 0 \leq \lambda_n \perp y_1 - r_1 \sin(\theta_1) \geq 0, \\ \text{(f)} \lambda_t \in -\mu\lambda_n \text{sgn}(v_t), \quad v_t = \dot{x}_1 + r_1 \sin(\theta_1)\dot{\theta}_1 \\ \text{(g)} \text{Impact model.} \end{array} \right. \quad (92)$$

The dynamics in (92) (c) (d) is not an object dynamics, though it does not depend on τ . The center of mass G dynamics is obtained from (92) (c) (d):

$$\left\{ \begin{array}{l} (m_1 + m_2 + m_3)\ddot{x}_G = \lambda_t \\ (m_1 + m_2 + m_3)\ddot{y}_G = -(m_1 + m_2 + m_3)g + \lambda_n, \end{array} \right. \quad (93)$$

noting that $x_G = (m_1 + m_2 + m_3)x_1 + (m_2 + m_3)(l_1 - r_1) \cos(\theta_1) + m_2r_2 \cos(\theta_1)$ and $y_G = (m_1 + m_2 + m_3)y_1 + (m_2 + m_3)(l_1 - r_1) \sin(\theta_1) + m_2r_2 \sin(\theta_1)$. Replacing \ddot{x}_1 and \ddot{y}_1 in (92) (a) (b) by their expressions obtained from (92) (c) and (d), allows one to recast (92) into (1): the object dynamics is (93) with $q_1 = (x_G, y_G)^\top$, the underactuated robot's dynamics is the transformed (92) (a) (b) with $q_2 = (\theta_1, \theta_2)^\top$. The obtained robot's dynamics is not a Lagrangian system, however. Recasting it within (84), we have $M_{11} = M_1(q_1) = \text{diag}(m_1 + m_2 + m_3)$, M_{12} , M_{22} , F_{z_1} , F_{z_2} depend only on z_2 , \dot{z}_2 , F_1 is constant. Hence the system in (85) (b) is a robot's dynamics. It is noteworthy that such a transformation is similar to the one proposed in [166]. Let us note also that the obtained dynamics shares several common features with (49) (like robot's dynamics underactuation), and it would be interesting to analyze them more deeply. Let us come back to the system in Fig. 19 (b). The revolute joint at the bottom tip creates the bilateral constraints $f_1(q) = y_1 - r_1 \sin(\theta_1) = 0$ and $f_2(q) = x_1 - r_1 \cos(\theta_1) = 0$. This gives the dynamics:

$$\left\{ \begin{array}{l} \text{(a)} (I_1 + (m_2 + m_3)(l_1 - r_1)^2)\ddot{\theta}_1 - (m_2 + m_3)(l_1 - r_1) \sin(\theta_1)\ddot{x}_1 + (m_2 + m_3)(l_1 - r_1) \cos(\theta_1)\ddot{y}_1 \\ \quad + m_2r_2(l_1 - r_1) \cos(\theta_1 - \theta_2)\ddot{\theta}_2 + m_2r_2(l_1 - r_1) \sin(\theta_1 - \theta_2)\dot{\theta}_2^2 + ((m_2 + m_3)g(l_1 - r_1) \cos(\theta_1) \\ \quad = -\tau - r_1 \cos(\theta_1)\lambda_{n,1}^b + r_1 \sin(\theta_1)\lambda_{n,2}^b, \\ \text{(b)} (I_2 + m_2r_2^2)\ddot{\theta}_2 - m_2r_2 \sin(\theta_2)\ddot{x}_1 + m_2r_2 \cos(\theta_2)\ddot{y}_1 + m_2r_2(l_1 - r_1) \cos(\theta_1 - \theta_2)\ddot{\theta}_1 \\ \quad - m_2r_2(l_1 - r_1) \sin(\theta_1 - \theta_2)\dot{\theta}_1^2 + m_2r_2g \sin(\theta_2) = \tau, \\ \text{(c)} (m_1 + m_2 + m_3)\ddot{x}_G = \lambda_{n,2}^b, \\ \text{(d)} (m_1 + m_2 + m_3)\ddot{y}_G = -(m_1 + m_2 + m_3)g + \lambda_{n,1}^b, \\ \text{(e)} f_1(q) = y_1 - r_1 \sin(\theta_1) = 0, \quad f_2(q) = x_1 - r_1 \cos(\theta_1) = 0. \end{array} \right. \quad (94)$$

This is equivalent (with admissible initial conditions) to (91). Similarly we can replace both \ddot{x}_1 and \ddot{y}_1 in (94) (a) (b) by their expressions obtained from (94) (c) (d), and we obtain transformed (94) (a) (b) as second-order dynamics of θ_1 and θ_2 with multipliers and τ .

These developments show that (1) is an extension of systems with bilateral holonomic constraints, compare (92) and (94): the only thing which changes is the way the multipliers are calculated, and the constraints associated with them. In this particular case, it may be easier to use the reduced dynamics (91). However eliminating coordinates is not always trivial. If the goal is to control the center of mass, then (94) (c) (d) can be used to design $\lambda_{n,1}^b$ and $\lambda_{n,2}^b$ (both multipliers can be calculated [88] [6, section 5.1.1] as functions of the state and τ), then inject this in the transformed (94) (a) (b) which provide the evolution of $(\theta_1, \theta_2, \dot{\theta}_1, \dot{\theta}_2)$ (this is similar to the developments in section 3.1.2, however here no sign constraints exist).

Let us examine conditions upon which the transformation (85) relies.

Lemma 1 *Let $q_1(z_1, z_2)$ be a differentiable function. Assume that $\frac{\partial q_1}{\partial z_1}$ and $\frac{\partial q_1}{\partial z_2}$ are invertible. Then $M_{11}(z)\ddot{z}_1 + M_{12}(z)\ddot{z}_2 + F_{z_1}(z_1, z_2, \dot{z}_1, \dot{z}_2) = M_1(q_1)\ddot{q}_1 + F_1(q_1, \dot{q}_1)$ is fulfilled with $M_1(q_1) \succ 0$ only if $\left(\frac{\partial q_1}{\partial z_1}\right)^{-1} M_{11}(z) = \left(\frac{\partial q_1}{\partial z_2}\right)^{-1} M_{12}(z) \succ 0$.*

Proof: assume that the equality holds. Then calculations yield $M_{11}(z) = M_1(q_1(z))\frac{\partial q_1}{\partial z_1}$ and $M_{12}(z) = M_1(q_1(z))\frac{\partial q_1}{\partial z_2}$. The result follows. \square

State space transformations that yield humanoids' centroidal dynamics are analyzed in [349, 350].

References

- [1] B. Brogliato, A. Zavala-Rio, On the control of complementary-slackness juggling mechanical systems, IEEE Trans. on Automatic Control 45 (2) (2000) 235–245.
- [2] B. Brogliato, Nonsmooth Mechanics. Models, Dynamics and Control, 2nd Edition, Communications and Control Eng., Springer-Verlag, London, 1999.
- [3] B. Brogliato, Feedback control of multibody systems with joint clearance and dynamic backlash: a tutorial, Multibody Syst. Dynamics 43 (2) (2018) 283–315, <https://hal.inria.fr/hal-01499581/>.
- [4] Y. Hurmuzlu, F. Génot, B. Brogliato, Modeling, stability and control of biped robots – a general framework, Automatica 40 (2004) 1647–1664.
- [5] B. Brogliato, Some perspectives on the analysis and control of complementarity systems, IEEE Trans. on Automatic Control 48 (6) (2003) 918–935.
- [6] B. Brogliato, Nonsmooth Mechanics. Models, Dynamics and Control, 3rd Edition, Communications and Control Eng., Springer International Publishing Switzerland, 2016.
- [7] V. Acary, B. Brogliato, Numerical Methods for Nonsmooth Dynamical Systems. Applications in Mechanics and Electronics, Vol. 35 of LNACM, Springer-Verlag, Berlin, 2008.
- [8] R. Leine, N. van de Wouw, Stability and Convergence of Mechanical Systems with Unilateral Constraints, Vol. 36 of LNACM, Springer-Verlag, Berlin, 2008.
- [9] N. Kant, R. Mukherjee, Juggling a devil-stick: Hybrid orbit stabilization using the impulse controlled Poincaré map, IEEE Control Systems Letters 6 (2022) 1304 – 1309.
- [10] N. Kant, R. Mukherjee, Non-prehensile manipulation of a devil-stick: planar symmetric juggling using impulsive forces, Nonlinear Dynamics 103 (2021) 2409–2420.
- [11] A. Zavala-Rio, B. Brogliato, On the control of a one degree-of-freedom juggling robot, Dynamics and Control 9 (1999) 67–91.
- [12] A. Zavala-Rio, B. Brogliato, Hybrid feedback strategies for the control of juggling robots, in: Proc. Workshop Modelling and Control of Mechanical Systems, World Scientific, London, UK, 1997, pp. 235–251.
- [13] A. Zavala-Rio, B. Brogliato, Direct adaptive control design for one-degree-of-freedom complementary-slackness jugglers, Automatica 37 (2001) 1117–1123.
- [14] D. Prattichizzo, J. Trinkle, Springer Handbook of Robotics (Siciliano B. and Khatib O., Eds.), Springer Handbooks, Springer, Cham, 2016, Ch. Grasping, pp. 955–988.

- [15] Q. Marwan, S. Chua, L. Kwek, Comprehensive review on reaching and grasping of objects in robotics, *Robotica* <https://doi.org/10.1017/S0263574721000023>.
- [16] M. Mason, *Mechanics of Robotic Manipulation*, MIT Press, Cambridge, Massachusetts; London, England, 2001.
- [17] R. Ozawa, K. Tahara, Grasp and dexterous manipulation of multi-fingered robotic hands: a review from a control view point, *Advanced Robotics* 31 (19-20) (2017) 1030–1050.
- [18] A. Billard, D. Kragic, Trends and challenges in robot manipulation, *Science* 364 (2019) eaat8414.
- [19] A. Caldas, M. Grossard, M. Makarov, P. Rodriguez-Ayerbe, Task-level dexterous manipulation with multifingered hand using modeling uncertainties, *ASME Journal of Dynamic Systems, Measurement, and Control* 144 (2022) 031001.
- [20] X. Zheng, R. Nakashima, T. Yoshikawa, On dynamic control of finger sliding and object motion in manipulation with multifinger hands, *IEEE Trans. on Rob. and Aut.* 16 (5) (2000) 469–481.
- [21] R. Murray, Z. Li, S. Sastry, *A Mathematical Introduction to Robotic Manipulation*, CRC Press, 1994.
- [22] F. Ruggiero, V. Lippiello, B. Siciliano, Nonprehensile dynamic manipulation: A survey, *IEEE Robotics Automation Letters* 3 (3) (2018) 1711–1718.
- [23] P. Wieber, R. Tredake, S. Kuindersma, *Springer Handbook of Robotics*, Springer Handbooks, Springer, Cham, 2016, Ch. Modeling and Control of Legged Robots, pp. 1203–1234, b. Siciliano B. and O. Khatib (Eds).
- [24] P. Holmes, R. Full, D. Koditshek, J. Guckenheimer, The dynamics of legged locomotion: Models, analyses, and challenges, *SIAM Review* 48 (2) (2006) 207–304.
- [25] T. Sugihara, M. Morisawa, A survey: Dynamics of humanoid robots, *Advanced Robotics* 34 (21-22) (2020) 1338–1352.
- [26] S. Gupta, A. Kumar, A brief review of dynamics and control of underactuated biped robots, *Advanced Robotics* 31 (12) (2017) 607–623.
- [27] K. Yamamoto, T. Kamioka, T. Sugihara, Survey on model-based biped motion control for humanoid robots, *Advanced Robotics* 34 (21-22) (2020) 1353–1369.
- [28] J. Grizzle, C. Chevallereau, R. Sinnet, A. Ames, Models, feedback control and open problems of 3D bipedal robotic walking, *Automatica* 50 (2014) 1955–1988.
- [29] B. Henze, M. Roa, C. Ott, Passivity-based whole-body balancing for torque-controlled humanoid robots in multi-contact scenarios, *International Journal of Robotics Research* 35 (12) (2016) 1522–1543.
- [30] S. Hyon, J. Hale, G. Cheng, Full-body compliant human-humanoid interaction: Balancing in the presence of unknown external forces, *IEEE Transactions on Robotics* 23 (5) (2007) 884–898.
- [31] A. Sayyad, B. Seth, P. Seshu, Single-legged hopping robotics research – a review, *Robotica* 25 (2007) 587–613.
- [32] T. Lam, Y. Xu, *Tree Climbing Robots*, Vol. 78 of STAR, Springer-Verlag, Berlin Heidelberg, 2012.
- [33] A. Transeth, R. Leine, C. Glocker, K. Pettersen, P. Liljebäck, Snake robot obstacle-aided locomotion: modeling, simulations, and experiments, *IEEE Trans. on Robotics* 24 (1) (2008) 88–104.
- [34] A. Transeth, K. Pettersen, P. Liljebäck, A survey on snake robot modeling and locomotion, *Robotica* 27 (2009) 999–1015.
- [35] B. Gamus, Y. Or, Understanding legged crawling for soft-robotics, *IEEE Robotics and Automation Letters* 5 (2) (2020) 1397–1404.
- [36] A. Cowley, Some performance limiting features of a machine tool control system, *Int. J. Mach. Tool Des. Res.* 2 (1962) 379–392.
- [37] E. Frost-Smith, Research on machine tools and automation in an industrial research laboratory, *Int. J. Mach. Tool Des. Res.* 1 (1961) 173–186.
- [38] S. Grant, J. Fawcett, Control of clearance effects in mechanisms, *ASME J. of Mechanical Design* 100 (1978) 728–731.
- [39] S. Dubowsky, F. Freudenstein, Dynamic analysis of mechanical systems with clearances. part 1: Formation of dynamic model, *ASME J. of Eng. for Industry* (1971) 305–309.
- [40] S. Dubowsky, F. Freudenstein, Dynamic analysis of mechanical systems with clearances. part 2: Dynamic response, *ASME J. of Eng. for Industry* (1971) 310–316.
- [41] S. Dubowsky, On predicting the dynamic effects of clearances in one-dimensional closed loop systems, *ASME J. of Eng. for Industry* (1974) 324–329.
- [42] S. Dubowsky, On predicting the dynamic effects of clearances in planar mechanisms, *ASME J. of Eng. for Industry* (1974) 317–323.

- [43] S. Dubowsky, T. Gardner, Design and analysis of multilink flexible mechanisms with multiple clearance connections, *ASME J. of Eng. for Industry* (1977) 88–96.
- [44] X. Tang, An overview of the development for cable-driven parallel manipulator, *Advances in Mechanical Engineering* (2014) 23028 <http://dx.doi.org/10.1155/2014/823028>.
- [45] S. Qian, B. Zi, W. Shang, Q. Xu, A review on cable-driven parallel robots, *Chinese Journal of Mechanical Engineering* 31 (66), <https://doi.org/10.1186/s10033-018-0267-9>.
- [46] M. Carricato, J. Merlet, Stability analysis of underconstrained cable-driven parallel robots, *IEEE Transactions on Robotics* 29 (1) (2013) 288–296.
- [47] M. Carricato, Direct geometrico-static problem of underconstrained cable-driven parallel robots with three cables, *ASME Journal of Mechanisms and Robotics* 5 (3) (2013) 031008.
- [48] B. Goodwine, J. Burdick, Controllability of kinematic control systems on stratified configuration spaces, *IEEE Transactions on Automatic Control* 46 (3) (2001) 358–368.
- [49] R. Lozano, B. Brogliato, Adaptive control of robot manipulators with flexible joints, *IEEE Trans. Automatic Control* 37 (2) (1992) 174–181.
- [50] B. Brogliato, R. Ortega, R. Lozano, Global tracking controllers for flexible-joint manipulators: a comparative study, *Automatica* 31 (7) (1995) 941–956.
- [51] V. Acary, O. Bonnefon, B. Brogliato, Nonsmooth Modeling and Simulation for Switched Circuits, no. 69 in *Lecture Notes in Electrical Engineering*, Springer Science+Business Media B.V., 2011.
- [52] B. Brogliato, A. Tanwani, Dynamical systems coupled with monotone set-valued operators: formalisms, applications, well-posedness, and stability, *SIAM Review* 62 (1) (2020) 3–129.
- [53] J. Moreau, *Nonsmooth Mechanics and Applications*, Vol. 302 of *CISM Courses and Lectures*, Springer Verlag, International Center for Mechanical Sciences Udine, Italy, 1988, Ch. Unilateral contact and dry friction in finite freedom dynamics, pp. 1–82.
- [54] H. Hirukawa, S. Hattori, K. Harada, S. Kajita, K. Kaneko, F. Kanehiro, K. Fujiwara, M. Morisawa, A universal stability criterion of the foot contact of legged robots - adios ZMP, in: *Proceedings 2006 IEEE International Conference on Robotics and Automation*, 2006. ICRA 2006., 2006, pp. 1976–1983.
- [55] Y. Zheng, S. Liao, K. Yamane, Humanoid locomotion control and generation based on contact wrench cones, *Int. Journal of Humanoid Robotics* 16 (5) (2019) 1950021–1–43.
- [56] J. Carpentier, N. Mansard, Multicontact locomotion of legged robots, *IEEE Transactions on Robotics* 34 (6) (2018) 1441–1460.
- [57] R. Ronsse, P. Lefèvre, R. Sepulchre, Robotics and neuroscience: A rhythmic interaction, *Neural Networks* 21 (2008) 577–583.
- [58] J. Flanagan, M. Bowman, R. Johansson, Control strategies in object manipulation tasks, *Current Opinion in Neurobiology* 16 (2006) 650–659.
- [59] R. Nickl, M. Ankarali, N. Cowan, Complementary spatial and timing control in rhythmic arm movements, *J. Neurophysiol.* 121 (2019) 1543–1560.
- [60] R. Blickhan, The spring-mass model for running and hopping, *J. of Biomechanics* 22 (11/12) (1989) 1217–1227.
- [61] R. Blickhan, R. Full, Similarity in multilegged locomotion: bouncing like a monopode, *J. of Comparative Physiology A: Neuroethology, Sensory, Neural, and Behavioral Physiology* 173 (5) (1993) 509–517.
- [62] L. Liu, S. Towfighian, A. Hila, A review of locomotion systems for capsule endoscopy, *IEEE Reviews in Biomedical Eng.* 8 (2015) 138–151.
- [63] M. Rehan, I. Al-Bahadly, D. Thomas, E. Avci, Development of a robotic capsule for in vivo sampling of gut microbia, *IEEE Robotics and Automation Letters* 7 (4) (2022) 9517–9524.
- [64] M. Cartmill, The volar skin of primates: Its frictional characteristics and their functional significance, *Am. J. Phys. Anthrop.* 50 (1979) 497–510.
- [65] M. Cartmill, Climbing, in: M. Hildebrand, D. Bramble, K. Liem, D. Wake (Eds.), *Functional Vertebrate Morphology*, Harvard Univ. Press, Cambridge, 1985, pp. 73–88.
- [66] D. Sternad, Juggling and bouncing balls: Parallels and differences in dynamic concepts and tools, *International Journal of Sport Psychology* 30 (4) (1999) 462–489.

- [67] M. Halm, M. Posa, Algorithmic Foundations of Robotics XIII. WAFR 2018 (Morales M., Tapia L., Sánchez-Ante G., Hutchinson S. (eds)), Vol. 14 of Springer Proc. in Advanced Robotics, Springer, Cham, 2020, Ch. A Quasi-static Model and Simulation Approach for Pushing, Grasping, and Jamming, pp. 491–507.
- [68] Y. Farid, B. Siciliano, F. Ruggiero, Review and descriptive investigation of the connection between bipedal locomotion and non-prehensile manipulation, *Annual Reviews in Control* 53 (2022) 51–69.
- [69] T. Mikolajczyk, E. Mikolajewska, H. Al-Shuka, T. Malimowski, A. Klodowski, D. Pimenov, T. Paczkowski, F. Hu, K. Giasin, D. Mikolajewski, M. Macko, Recent advances in bipedal walking robots: Review of gait, drive, sensors and control systems, *Sensors* 22 (2022) 4440.
- [70] J. Carpentier, P. Wieber, Recent progress in legged robots locomotion control, *Current Robotics Reports* 2 (2021) 231–238.
- [71] H. Khamseh, F. Janabi-Sharifi, A. Abdessameud, Aerial manipulation-A literature survey, *Robotics and Autonomous Systems* 107 (2018) 221–235.
- [72] M. Mason, Toward robotic manipulation, *Annual Review of Control, Robotics, and Autonomous Systems* 1 (19) (2018) 1–19.
- [73] K. Kleeberger, R. Bormann, W. Kraus, M. Huber, A survey on learning-based robotic grasping, *Current Robotics Reports* 1 (2020) 239–249.
- [74] F. Nadon, A. Valencia, P. Payeur, Multi-modal sensing and robotic manipulation of non-rigid objects: A survey, *Robotics* 7 (74) (2018) 7040074.
- [75] M. Nordin, P. Gutman, Controlling mechanical systems with backlash-a survey, *Automatica* 38 (10) (2002) 1633–1649.
- [76] A. Lagerberg, A literature survey on control of automotive powertrains with backlash, Tech. Rep. R013/2001, School of Engineering, Jönköping University, JTH, Computer and Electrical Engineering (2001).
- [77] P. Biswal, P. Mohanty, Development of quadruped walking robots: A review, *Ain Shams Engineering Journal* 12 (2021) 2017–2031.
- [78] Y. Zhong, R. Wang, H. Feng, Y. Chen, Analysis and research of quadruped robot’s leg: A comprehensive review, *International Journal of Advanced Robotic Systems* (2019) 1–15.
- [79] R. Chase, A. Pandya, A review of active mechanical driving principles of spherical robots, *Robotics* 1 (2012) 3–23.
- [80] Z. Zhang, C. Suh, Underactuated mechanical systems–A review of control strategies, *Journal of Vibration Testing and System Dynamics* 6 (1) (2022) 21–51.
- [81] B. He, S. Wang, Y. Liu, Underactuated robotics: A review, *Intelligent Manufacturing and Robotics* 16 (4) (2019) 1–29.
- [82] Y. Liu, H. Yu, A survey of underactuated mechanical systems, *IET Control Theory Appl.* 7 (7) (2013) 921–935.
- [83] P. Liu, N. Huda, L. Sun, H. Yu, A survey on underactuated robotic systems: Bio-inspiration, trajectory planning and control, *Mechatronics* 72 (2020) 102443.
- [84] R. Cottle, J. Pang, R. Stone, *The Linear Complementarity Problem*, Academic Press, 1992.
- [85] J.-J. Moreau, Les liaisons unilatérales et le principe de Gauss, *C.R. Acad. Sciences Paris* 256 (1963) 871–874.
- [86] B. Brogliato, Inertial couplings between unilateral and bilateral holonomic constraints in frictionless Lagrangian systems, *Multibody Syst. Dynamics* 29 (2013) 289–325.
- [87] F. Génot, Contributions à la modélisation et à la commande des systèmes mécaniques de corps rigides avec contraintes unilatérales, Ph.D. thesis, Inst. National Polytechnique de Grenoble, Grenoble, France, <https://tel.archives-ouvertes.fr/tel-00732959/document> (January 1998).
- [88] A. Blumentals, B. Brogliato, F. Bertails-Descoubes, The contact problem in Lagrangian systems subject to bilateral and unilateral constraints, with or without sliding Coulomb’s friction: A tutorial, *Multibody Syst. Dynamics* 38 (1) (2016) 43–76.
- [89] B. Brogliato, J. Kovecses, V. Acary, The contact problem in Lagrangian systems with redundant frictional bilateral and unilateral constraints and singular mass matrix. the all-sticking contacts problem, *Multibody Syst. Dynamics* 48 (2020) 151–192.
- [90] J. Moreau, Application of convex analysis to some problems of dry friction, in: H. Zorski (Ed.), *Trends in Applications of Pure Math. to Mechanics*, Vol. 2, Pitman, London, 1979, pp. 99–121.
- [91] C. Glocker, *Set-Valued Force Laws: Dynamics of Non-Smooth Systems*, Vol. 1 of LNACM, Springer-Verlag, Heidelberg, 2001.
- [92] J. Pang, J. Trinkle, Complementarity formulations and existence of solutions of dynamic multi-rigid-body contact problems with Coulomb friction, *Mathematical Programming* 73 (1996) 199–226.

- [93] B. Brogliato, R. Lozano, B. Maschke, O. Egeland, *Dissipative Systems Analysis and Control*, 3rd Edition, Communications and Control Engineering, Springer Nature Switz. AG, 2020.
- [94] J. Woodruff, K. Lynch, Robotic contact juggling, *archiv:2102.10421v1* (2021).
- [95] Y. Seo, Y. Yoon, Design of a robust dynamic gait of the biped using the concept of dynamic stability margin, *Robotica* 13 (5) (1995) 461–468.
- [96] Y. Hurmuzlu, F. Génot, B. Brogliato, Modeling, stability and control of biped robots. a general framework, INRIA Research Report RR-4290, <https://hal.inria.fr/inria-00072297> (October 2001).
- [97] P. Wieber, On the stability of walking systems, in: *Proc. of Int. Workshop on Humanoid and Human Friendly Robotics*, Tsukuba, Japan, 2002.
- [98] H. Peng, N. Song, F. Li, S. Tang, A mechanistic-based data-driven approach for general friction modeling in complex mechanical system, *ASME Journal of Applied Mechanics* 89 (2022) 071005.
- [99] Z. Zhao, C. Liu, B. Brogliato, Planar dynamics of a rigid body system with frictional impacts. II. qualitative analysis and numerical simulations, *Proceedings of the Royal Society A: Mathematical, Physical and Engineering Sciences* 465 (2107) (2009) 2267–2292.
- [100] Z. Nagy, R. Leine, D. Frutiger, C. Glocker, B. Nelson, Modeling the motion of microrobots on surfaces using nonsmooth multibody dynamics, *IEEE Transactions on Robotics* 28 (5) (2012) 1058–1068.
- [101] B. Guo, J. Chavez, Y. Liu, C. Liu, Discontinuity-induced bifurcations in a piecewise-smooth capsule system with bidirectional drifts, *Commun. Nonlinear Sci. Numer. Simulat.* 102 (2021) 105909.
- [102] N. Nguyen, B. Brogliato, *Multiple Impacts in Dissipative Granular Chains*, Vol. 72 of LNACM, Springer-Verlag, Berlin Heidelberg, 2014.
- [103] C. Liu, Z. Zhao, B. Brogliato, Frictionless multiple impacts in multibody systems. I. Theoretical framework, *Proceedings of the Royal Society A: Mathematical, Physical and Engineering Sciences* 464 (2100) (2008) 3193–3211.
- [104] C. Liu, Z. Zhao, B. Brogliato, Frictionless multiple impacts in multibody systems. II. numerical algorithm and simulation results, *Proceedings of the Royal Society A: Mathematical, Physical and Engineering Sciences* 465 (2101) (2009) 1–23.
- [105] B. Brogliato, Kinetic quasi velocities in unilaterally constrained Lagrangian mechanics with impacts and friction, *Multibody Syst. Dynamics* 32 (2) (2014) 175–216.
- [106] N. Nguyen, B. Brogliato, *Advanced Topics in Nonsmooth Dynamics*, Transactions of the European Network for Nonsmooth Dynamics, Springer Int. Publishing AG, 2018, Ch. Comparisons of multiple-impact laws for multibody systems: Moreau’s law, binary impacts, and the LZB approach, pp. 1–45.
- [107] F. Pfeiffer, C. Glocker, *Multibody Dynamics with Unilateral Contacts*, Wiley, New York, 1996.
- [108] W. Huang, M. Mason, Mechanics, planning, and control for tapping, *The International Journal of Robotics Research* 19 (10) (2000) 883–894.
- [109] M. Spong, Impact controllability of an air hockey puck, *Systems and Control Letters* 42 (5) (2001) 333–345.
- [110] M. Baumann, R. Leine, A synchronization-based state observer for impact oscillators using only collision time information, *International Journal of Robust and Nonlinear Control* 26 (2016) 2542–2563.
- [111] J. Wu, X. Sun, A. Zeng, S. Song, S. Rusinkiewicz, T. Funkhouser, Learning pneumatic non-prehensile manipulation with a mobile blower, *IEEE Robotics and Automation Letters* DoI: 10.1109/LRA.2022.3187833.
- [112] H. Jiang, E. Hawkes, C. Fuller, M. Estrada, S. Suresh, N. Abcouwer, A. Han, S. Wang, C. Ploch, A. Parness, M. Cutkosky, A robotic device using gecko-inspired adhesives can grasp and manipulate large objects in microgravity, *Science Robotics* 2 (7).
- [113] W. Ruotolo, D. Brouwer, M. Cutkosky, From grasping to manipulation with gecko-inspired adhesives on a multifinger gripper, *Science Robotics* 6 (61).
- [114] B. Gamus, Y. Or, Dynamic bipedal walking under stick-slip transitions, *SIAM Journal on Applied Dynamical Systems* 14 (2) (2015) 609–642.
- [115] M. Shahbazi, R. Babuska, A. Lopes, Unified modeling and control of walking and running on the spring-loaded inverted pendulum, *IEEE Transactions on Robotics* 32 (5) (2016) 1178–1195.
- [116] Y. Or, P. Varkonyi, Experimental verification of stability theory for a planar rigid body with two unilateral frictional contacts, *IEEE Trans. on Robotics* 37 (5) (2021) 1634–1648.
- [117] B. Gamus, A. Gat, Y. Or, Dynamic inchworm crawling: Performance analysis and optimization of a three-link robot, *IEEE Robotics and Automation Letters* 6 (1) (2020) 111–118.

- [118] L. Saraiva, M. R. da Silva, F. Marques, M. T. da Silva, P. Flores, A review on foot-ground contact modeling strategies for human motion analysis, *Mechanism and Machine Theory* 177 (2022) 105046.
- [119] B. Acosta, W. Yang, M. Posa, Validating robotics simulators on real-world impacts, *IEEE Robotics and Automation Letters* 7 (3) (2022) 6471–6478.
- [120] E. Westervelt, J. Grizzle, D. Koditschek, Hybrid zero dynamics of planar biped walkers, *IEEE Trans. on Automatic Control* 48 (1) (2003) 42–56.
- [121] C. Chevallereau, E. Westervelt, J. Grizzle, Asymptotically stable running for a five-link, four-actuator, planar bipedal robot, *The Int. Journal of Robotics Research* 24 (6) (2005) 431–464.
- [122] N. McClamroch, D. Wang, Feedback stabilization and tracking of constrained robots, *IEEE Trans. on Automatic Control* 33 (5) (1988) 419–426.
- [123] R. Kikuuwe, Dynamics modeling of gear transmissions with asymmetric load-dependent friction, Tech. rep., Machinery Dynamics Laboratory, Graduate School of Advanced Science and Engineering, Hiroshima University, Hiroshima, Japan, https://www.techrxiv.org/articles/preprint/Dynamics_Modeling_of_Gear_Transmissions_with_Asymmetric_Load-Dependent_Friction/18583775 (2022).
- [124] R. Rockafellar, R. Wets, *Variational Analysis*, Vol. 317 of *Comprehensive Studies in Mathematics*, Springer, Berlin, 1998.
- [125] F. Facchinei, J. Pang, *Finite-Dimensional Variational Inequalities and Complementarity Problems*, vol.I, Operations Res., Springer-Verlag, New York, 2003.
- [126] R. Leine, D. van Campen, C. Glocker, Nonlinear dynamics and modeling of various wooden toys with impact and friction, *Journal of Vibration and Control* 9 (2003) 25–78.
- [127] L. Paoli, Vibro-impact problems with dry friction—part I: Existence result, *SIAM J. on Math. Anal.* 47 (5) (2015) 3285–3313.
- [128] L. Paoli, Vibro-impact problems with dry friction—Part II: Tangential contacts and frictional catastrophes, *SIAM Journal on Mathematical Analysis* 48 (2) (2016) 1272–1296.
- [129] Q. Shi, J. Gao, S. Wang, X. Quan, G. Jia, Q. Huang, T. Fukuda, Development of a small-sized quadruped robotic rat capable of multimodal motions, *IEEE Transactions on Robotics* DoI: 10.1109/TRO.2022.3159188.
- [130] K. Kim, P. Spieler, E. Lupu, A. Ramezani, S. Chung, A bipedal walking robot that can fly, slackline, and skateboard, *Science Robotics* 6 (2021) eabf8136.
- [131] K. Mombaur, H. Bock, J. Schlöder, R. Longman, Self-stabilizing somersaults, *IEEE Transactions on Robotics* 21 (6) (2005) 1148–1157.
- [132] A. Zeng, S. Song, S. Welker, J. Lee, A. Rodriguez, T. Funkhouser, Learning synergies between pushing and grasping with self-supervised deep reinforcement learning, in: *IEEE/RSJ Int. Conf. Int. Rob. Syst.*, Spain, 2018, pp. 4238–4245.
- [133] K. Poggensee, A. Li, D. Sotsaikich, B. Zhang, P. Kotaru, M. Mueller, K. Sreenath, Ball juggling on the bipedal robot cassie, in: *Proc. European Control Conference*, St Petersburg, Ru, 2020, pp. 875–880.
- [134] M. Schill, M. Buss, Robust ballistic catching: A hybrid system stabilization problem, *IEEE Transactions on Robotics* 34 (6) (2018) 1502–1517.
- [135] A. Akbarimadj, Optimal motion planning of juggling by 3-DOF manipulators using adaptive PSO algorithm, *Robotica* 32 (2013) 967–984.
- [136] M. Müller, S. Lupashin, R. D’Andrea, Quadropter ball juggling, in: *Proc. IEEE/RSJ Int. Conference on Intelligent Robots and Systems*, San Francisco, USA, 2011, pp. 5113–5120.
- [137] R. Ritz, M. Müller, M. Hehn, R. D’Andrea, Cooperative quadropter ball throwing and catching, in: *Proc. IEEE/RSJ Int. Conference on Intelligent Robots and Systems*, Vilamoura, Portugal, 2012, pp. 4972–4978.
- [138] J. Song, I. Sharf, Stability-constrained mobile manipulation planning on rough terrain, *Robotica* DoI: 10.1017/S0263574722000777.
- [139] J. Shi, J. Woodruff, P. Umbanhowar, K. Lynch, Dynamic in-hand sliding manipulation, *IEEE Trans. on Robotics* 33 (4) (2017) 778–795.
- [140] B. Brogliato, P. Orhant, S. Niculescu, On the control of finite-dimensional mechanical systems with unilateral constraints, *IEEE Trans. on Aut. Control* 42 (2) (1997) 200–215.
- [141] B. Brogliato, S. Niculescu, M. Marques, On tracking control of a class of complementary-slackness hybrid mechanical systems, *Systems and Control Letters* 39 (4) (2000) 255–266.
- [142] I. Morarescu, B. Brogliato, Trajectory tracking control of multiconstraint complementarity lagrangian systems, *IEEE Trans. on Automatic Control* 55 (6) (2010) 1300–1313.

- [143] S. Suzuki, K. Furuta, S. Shiratori, Adaptive impact shot control by pendulum-like juggling systems, *JSME International Journal series C* 46 (3) (2003) 973–981.
- [144] K. Ploeger, J. Peters, Controlling the cascade: Kinematic planning for n -ball toss juggling, in: *Proc. IEEE/RSJ International Conference on Intelligent Robots and Systems*, Kyoto, Japan, 2022.
- [145] R. Leine, T. Heimsch, Global uniform asymptotic attractive stability of the non-autonomous bouncing ball system, *Physica D* 241 (2012) 2029–2041.
- [146] H. Oza, Y. Orlov, S. Spurgeon, Finite time stabilization of a perturbed double integrator with unilateral constraints, *Mathematics and Computers in Simulation* 95 (2014) 200–212.
- [147] H. Oza, Y. Orlov, Control of systems with time varying unilateral constraints using robust and optimal controllers: A homogeneity framework, *Int. J. of Robust and Nonlinear Control* 31 (9) (2021) 3499–3512.
- [148] A. Schmidt, V. Baez, A. Becker, S. Fekete, Coordinated particle relocation using finite static friction with boundary walls, *IEEE Robotics and Automation Letters* 5 (2) (2020) 985–992.
- [149] S. Galeani, L. Menini, A. Potini, A. Tornambé, Trajectory tracking for a particle in elliptical billiards, *Int. J. of Control* 81 (2) (2008) 189–213.
- [150] L. Menini, C. Possieri, A. Tornambé, Trajectory tracking of a bouncing ball in a triangular billiard by unfolding and folding the billiard table, *International Journal of Control* DoI: <https://doi.org/10.1080/00207179.2021.1923807>.
- [151] F. Forni, A. Teel, L. Zaccarian, Follow the bouncing ball: global results on tracking and state estimation with impacts, *IEEE Transactions on Automatic Control* 58 (6) (2013) 1470–1485.
- [152] L. Menini, C. Possieri, A. Tornambé, Tracking of a bouncing ball in a planar billiard through continuous-time approximations, *ASME Journal on Computational and Nonlinear Dynamics* 13 (6) (2018) 061006.
- [153] K. Lynch, M. Mason, Dynamic nonprehensile manipulation: controllability, planning, and experiments, *The Int. Journal of Robotics Research* 18 (1) (1999) 64–92.
- [154] R. Ronsse, P. Lefèvre, R. Sépulchre, Sensorless stabilization of bounce juggling, *IEEE Transactions on Robotics* 22 (1) (2006) 147–159.
- [155] B. Polster, *The Mathematics of Juggling*, Springer-Verlag, 2003.
- [156] N. Tuomainen, D. Blanco-Mulero, V. Kyrki, Manipulation of granular materials by learning particle interactions, *IEEE Robotics and Automation Letters* DoI: [10.1109/LRA.2022.3158382](https://doi.org/10.1109/LRA.2022.3158382).
- [157] J. Ghommam, M. Saad, Autonomous landing of a quadrotor on a moving platform, *IEEE Transactions on Aerospace and Electronic Systems* 53 (3) (2017) 1504–1519.
- [158] K. Xia, M. Shin, W. Chung, M. Kim, S. Lee, H. Son, Landing a quadrotor UAV on a moving platform with sway motion using robust control, *Control Engineering Practice* 128 (2022) 105288.
- [159] G. Bätz, M. Sobotka, D. Wollherr, M. Buss, *Advances in Robotics Research: Theory, Implementation, Application*, Springer Berlin Heidelberg, Berlin, Heidelberg, 2009, Ch. Robot basketball: Ball dribbling — A modified juggling task, pp. 323–334.
- [160] K. Camlibel, Complementarity methods in the analysis of piecewise linear dynamical systems, Ph.D. thesis, Center for Economic Research, Tilburg University, Tilburg, NL (May 2001).
- [161] R. Leine, D. van Campen, A. de Kraker, L. van dem Steen, Stick-slip vibrations induced by alternate friction models, *Nonlinear Dynamics* 16 (1998) 41–54.
- [162] R. Leine, B. Brogliato, H. Nijmeijer, Periodic motion and bifurcations induced by the Painlevé paradox, *European Journal of Mechanics A/Solids* 21 (2002) 869–896.
- [163] M. di Bernardo, C. Budd, A. Champneys, Kowalczyk, *Piecewise-smooth Dynamical Systems*, Vol. 163 of Applied Math. Sciences, Springer-Verlag London, 2008.
- [164] J. Butterfield, S. Simha, J. Donelan, S. Collins, The split-belt rimless wheel, *International Journal of Robotics Research* DoI: [10.1177/02783649221110260](https://doi.org/10.1177/02783649221110260).
- [165] M. Garcia, A. Chatterjee, A. Ruina, M. Coleman, The simplest walking model: stability, complexity, and scaling, *ASME J. of Biomedical Eng.* 120 (1998) 281–288.
- [166] M. Reyhanoglu, A. van der Schaft, N. McClamroch, I. Kolmanovsky, Dynamics and control of a class of underactuated mechanical systems, *IEEE Trans. on Automatic Control* 44 (9) (1999) 1663–1671.

- [167] S. Lee, A. Goswami, Ground reaction force control at each foot: A momentum-based humanoid balance controller for non-level and non-stationary ground, in: IEEE/RSJ Int. Conf. Int. Robots Syst., Taiwan, 2010, pp. 3157–3162.
- [168] F. Miyazaki, F. Arimoto, A control theoretic study on dynamical biped locomotion, ASME J. on Dyn. Syst. Meas. and Control 102 (1980) 233–239.
- [169] D. Orin, A. Goswami, S. Lee, Centroidal dynamics of a humanoid robot, Autonomous Robots 35 (2013) 161–176.
- [170] S. Daffarra, G. Romualdi, D. Pucci, Dynamic complementarity conditions and whole-body trajectory optimization for humanoid robot locomotion, IEEE Transactions on Robotics DoI: 10.1109/TRO.2022.3183785.
- [171] G. Secer, U. Saranlı, Control of planar spring-mass running through virtual tuning of radial leg damping, IEEE Transactions on Robotics 34 (5) (2018) 1370–1383.
- [172] Z. Zhou, B. Wingo, N. Boyd, S. Hutchinson, Y. Zhao, Momentum-aware trajectory optimization and control for agile quadrupedal locomotion, IEEE Robotics and Automation Letters 7 (3) (2022) 7755–7762.
- [173] M. Ahmadi, M. Buehler, Stable control of a simulated one-legged running robot with hip and leg compliance, IEEE Transactions on Robotics and Automation 13 (1) (1997) 96–104.
- [174] M. Ahmadi, M. Buehler, Controlled passive dynamic running experiments with the ARL-monopod II, IEEE Transactions on Robotics 22 (5) (2006) 974–986.
- [175] P. Gregorio, M. Ahmadi, M. Buehler, Design, control, and energetics of an electrically actuated legged robot, IEEE Transactions on Systems, Man and Cybernetics–Part B: Cybernetics 27 (4) (1997) 626–634.
- [176] D. Nenchev, K. Yoshida, Impact analysis and post-impact motion control issues of a free-floating space robot subject to a force impulse, IEEE Transactions on Robotics and Automation 15 (3) (1999) 548–557.
- [177] M. Spong, The swingup control problem for the acrobot, IEEE Control Syst. Magazine 15 (1) (1995) 49–55.
- [178] J. Pratt, R. Tedrake, Velocity-based stability margins for fast bipedal walking, in: D. M., M. K. (Eds.), Fast Motions in Biomechanics and Robotics, Vol. 340 of LNCIS, Springer, Berlin, 2005, pp. 299–324.
- [179] P. Razzaghi, E. Khatib, Y. Hurmuzlu, Nonlinear dynamics and control of an inertially actuated jumper robot, Nonlinear Dynamics 97 (2019) 161–176.
- [180] J. Engelsberger, P. Kozłowski, C. Ott, A. Albu-Schäffer, Biologically inspired deadbeat control for running: from human analysis to humanoid control and back, IEEE Trans. on Robotics 32 (4) (2016) 854–876.
- [181] A. Akbarimajd, M. Ahmadabadi, A. Ijspeert, Analogy between juggling and hopping: Active object manipulation approach, Advanced Robotics 25 (2011) 1793–1816.
- [182] W. Shin, W. Stewart, M. Estrada, A. Ijspeert, D. Floreano, Elastic-actuation mechanism for repetitive hopping based on power modulation and cyclic trajectory generation, IEEE Transactions on Robotics DoI: 10.1109/TRO.2022.3189249.
- [183] S. Chae, S. Baek, J. Lee, K. Cho, Agile and energy-efficient jumping-crawling robot through rapid transition of locomotion and enhanced jumping height adjustment, IEEE/ASME Transactions on Mechatronics DoI: 10.1109/TMECH.2022.3190673.
- [184] A. Chatterjee, R. Pratap, C. Reddy, A. Ruina, Persistent passive hopping and juggling is possible even with plastic collisions, The Int. Journal of Robotics Research 21 (7) (2002) 621–634.
- [185] J. Woodhouse, J. Rene, C. Hall, L. Smith, F. King, J. McClenahan, The dynamics of a ringing bell, Advances in Acoustics and Vibration 2012 (2012) ID681787.
- [186] M. Kashki, Y. Hurmuzlu, Pivot walking of an inertially actuated robot, IEEE Trans. on Robotics 32 (5) (2016) 1152–1162.
- [187] M. Kashki, J. Zoghoghzy, Y. Hurmuzlu, Adaptive control of inertially actuated bouncing robot, IEEE/ASME Trans. on Mechatronics 22 (5) (2017) 2196–2206.
- [188] J. Zoghoghzy, J. Zhao, Y. Hurmuzlu, Modeling, design, and implementation of a baton robot with double-action inertial actuation, Mechatronics 29 (2015) 1–12.
- [189] J. Zoghoghzy, Y. Hurmuzlu, Dynamics, stability, and experimental results for a baton robot with double-action inertial actuation, Int. J. of Dynamics and Control 6 (2018) 739–757.
- [190] G. He, X. Tan, X. Zhang, Z. Lu, Modeling, motion planning, and control of one-legged hopping robot actuated by two arms, Mechanism and Machine Theory 43 (2008) 33–49.
- [191] J. An, X. Ma, C. Lo, W. Ng, X. Chu, K. Au, Design and experimental validation of a monopod robot with 3-DoF morphable inertial tail for somersault, IEEE/ASME Transactions on Mechatronics DoI: 10.1109/TMECH.2022.3167990.

- [192] M. Dosaev, M. Samsonov, A. Holub, Plane-parallel motion of a friction-powered robot moving along a rough horizontal plane, in: IFToMM World Congress on Mechanism and Machine Science, Advances in Mechanism and Machine Science, Vol. 73 of Mechanisms and Machine Science, Springer Cham, 2019, pp. 2559–2565.
- [193] M. Dosaev, V. Samsonov, S. Hwang, Construction of control algorithm in the problem of the planar motion of a friction-powered robot with a flywheel and an eccentric weigh, *Applied Mathematical Modelling* 89 (2021) 1517–1527.
- [194] M. Dosaev, Algorithm for controlling an inertioid robot with a flywheel and an unbalance in conditions of restrictions on the angular acceleration of the unbalance, *Applied Mathematical Modelling* 109 (2022) 797–807.
- [195] Y. Zhang, R. Zhu, J. Wu, H. Wang, SimoBot: an underactuated miniature robot driven by a single motor, *IEEE/ASME Transactions on Mechatronics* DOI: 10.1109/TMECH.2022.3189218.
- [196] A. Otani, K. Hashimoto, T. Isomichi, A. Natsuhara, M. Sakaguchi, Y. Kawakami, H. Lim, A. Takanishi, Trunk motion control during the flight phase while hopping considering angular momentum of a humanoid, *Advanced Robotics* 32 (22) (2018) 1197–1206.
- [197] Y. Karavaev, A. Kilin, The dynamics and control of a spherical robot with an internal omniwheel platform, *Regular and Chaotic Dynamics* 20 (2) (2015) 134–152.
- [198] A. Borisov, A. Kilin, I. Mamaev, How to control the Chaplygin 's sphere using rotors, *Regular and Chaotic Dynamics* 17 (3-4) (2012) 258–272.
- [199] A. Borisov, A. Kilin, I. Mamaev, How to control the Chaplygin ball using rotors II, *Regular and Chaotic Dynamics* 18 (1-2) (2013) 144–158.
- [200] E. Kayacan, Z. Bayraktaroglu, W. Saeys, Modeling and control of a spherical rolling robot: a decoupled dynamics approach, *Robotica* 30 (2011) 671–680.
- [201] M. Svinin, A. Morinaga, M. Yamamoto, On the dynamic model and motion planning for a spherical rolling robot actuated by orthogonal internal rotors, *Regular and Chaotic Dynamics* 18 (1-2) (2013) 126–143.
- [202] C. Zhu, Y. Aiyama, T. Arai, A. Kawamura, Frictional sliding motion in releasing manipulation, *Advanced Robotics* 19 (2) (2005) 141–168.
- [203] A. Aydinoglu, P. Sieg, V. Preciado, M. Posa, Stabilization of complementarity systems via contact-aware controllers, *IEEE Trans. on Robotics* DOI: 10.1109/TRO.2021.3120931.
- [204] J. Sanchez, J. Corrales, B. Bouzgarrou, Y. Mezouar, Robotic manipulation and sensing of deformable objects in domestic and industrial applications: a survey, *The Int. J. of Rob. Res.* 37 (7) (2018) 688–716.
- [205] I. Uyanik, U. Saranlı, O. Morgul, Adaptive control of a spring-mass hopper, in: *Proc. IEEE Int. Conf. on Robotics and Automation*, Shanghai Int. Conf. Center, 2011, pp. 2138–2143.
- [206] D. Jeltsema, J. Scherpen, Multidomain modeling of nonlinear networks and systems, *IEEE Control Systems Magazine* 29 (4) (2009) 28–59.
- [207] R. Rockafellar, *Convex Analysis*, Princeton Landmarks in Mathematics, Princeton University Press, New Jersey, 1970.
- [208] K. Lynch, F. Park, *Modern Robotics. Mechanics, Planning, and Control*, Cambridge Univ. Press, 2017.
- [209] S. Makita, W. Wan, A survey of robotic caging and its applications, *Advanced Robotics* 31 (19-20) (2017) 1071–1085.
- [210] J. Ryu, K. Lynch, Contact juggling of a disk with a disk-shaped manipulator, *IEEE Access* 6 (2018) 60286–60293.
- [211] K. Lynch, C. Black, Recurrence, controllability and stabilization of juggling, *IEEE Trans. on Rob. and Automation* 17 (2) (2001) 113–124.
- [212] M. Selvaggio, J. Cacace, C. Pacchierotti, F. Ruggiero, P. Giordano, A shared-control teleoperation architecture for nonprehensile object transportation, *IEEE Trans. on Robotics*.
- [213] A. Nazir, P. Xu, J. Seo, Rock-and-walk manipulation: Object locomotion by passive rolling dynamics and periodic active control, *IEEE Trans. on Robotics* DOI: 10.1109/TRO.2021.3140147.
- [214] C. Yang, G. Sue, Z. Li, L. Yang, H. Shen, Y. Chi, A. Rai, J. Zeng, K. Sreenath, Collaborative navigation and manipulation of a cable-towed load by multiple quadrupedal robots, *IEEE Robotics and Automation Letters* 7 (4) (2022) 10041–10048.
- [215] S. Dorbolo, D. Volfson, S. Tsimring Lev, A. Kudrolli, Dynamics of a bouncing dimer, *Phys. Rev. Lett.* (2005) 044101.
- [216] C. Liu, Z. Zhao, B. Brogliato, Variable structure dynamics in a bouncing dimer, RR-6718, INRIA, <https://hal.inria.fr/inria-00337482> (November 2008).

- [217] G. Ruhela, A. DasGupta, Planar dynamics of a dimer on a wave, *Nonlinear Dynamics* <https://doi.org/10.1007/s1171-021-06849-7>.
- [218] Y. Yan, Y. Liu, J. Chavez, F. Zonta, A. Yusupov, Proof-of-concept prototype development of self-propelled capsule system for pipeline inspection, *Meccanica* 53 (2018) 1997–2012.
- [219] K. Nguyen, N. La, K. Ho, Q. Ngo, N. Chu, V. Nguyen, The effect of friction on the vibro-impact locomotion system: modelling and dynamic response, *Meccanica* 56 (2021) 2121–2137.
- [220] Z. Wu, D. Zhao, S. Revzen, Coulomb friction crawling model yields linear force-velocity profile, *ASME J. of Applied Mechanics* 86 (2019) 054501.
- [221] A. Ivanov, Vibroimpact mobile robot, *Russian J. of Nonlinear Dyn.* 17 (4) (2021) 429–436.
- [222] Y. Liu, E. Pavlovskaja, M. Wiercigroch, Z. Peng, Forward and backward motion control of a vibro-impact capsule system, *Int. J. of Non-Linear Mechanics* 70 (2015) 30–46.
- [223] B. Gamus, L. Salem, A. Gat, Y. Or, Understanding inchworm crawling for soft-robotics, *IEEE Robotics and Automation Letters* 5 (2) (2020) 1397–1404.
- [224] A. Sibilska-Mroziewicz, J. Mozaryn, A. Hameed, M. Fernandez, A. Ordys, Framework for simulation-based control design evaluation for a snake robot s an example of a multibody robotic system, *Multibody System Dynamics* [DoI: 10.1007/s11044-022-09830-3](https://doi.org/10.1007/s11044-022-09830-3).
- [225] T. Dear, S. Kelly, M. Travers, H. Choset, Locomotive analysis of a single-input three-link snake robot, in: *IEEE 55th Conference on Decision and Control*, Las Vegas, NV, USA, 2016, pp. 7542–7547, [doi: 10.1109/CDC.2016.7799434](https://doi.org/10.1109/CDC.2016.7799434).
- [226] Y. Liu, Y. Yu, D. Wang, S. Yang, J. Liu, Mechatronics design of self-adaptive under-actuated climbing robot for pole climbing and ground moving, *Robotica* [DoI: https://doi.org/10.1017/S0263574721001636](https://doi.org/10.1017/S0263574721001636).
- [227] D. Papageorgiou, M. Blanke, H. Niemann, Robust backlash estimation for industrial drive-train systems – theory and validation, *IEEE Transactions on Control Systems Technology* 27 (5) (2019) 1847–1861.
- [228] J. Kao, Z. Yeh, Y. Tarng, Y. Lin, A study of backlash on the motion accuracy of CNC lathes, *Int. J. of Machine Tools and Manufacture* 36 (5) (1996) 539–550.
- [229] S. Shi, J. Lin, X. Wang, X. Xu, Analysis of the transient backlash error in CNC machine tools with closed loops, *Int. J. of Machine Tools and Manufacture* 93 (2015) 49–60.
- [230] N. Akhadkar, V. Acary, B. Brogliato, Analysis of collocated feedback controllers for four-bar planar mechanisms with joint clearances, *Multibody Syst. Dynamics* 38 (2) (2016) 101–136.
- [231] M. Manikandan, S. Rajkumar, Research and advancements in hybrid airships—a review, *Progress in Aerospace Sciences* 127 (2021) 100741.
- [232] L. Liao, I. Pasternak, A review of airship structural research and development, *Progress in Aerospace Sciences* 45 (2009) 83–96.
- [233] P. Cruz, M. Oishi, R. Fierro, Lift of a cable-suspended load by a quadrotor: A hybrid system approach, in: *Proc. American Control Conference*, Chicago, USA, 2015, pp. 1887–1892.
- [234] M. Bisgaard, J. Bendtsen, A. Cour-Harbo, Modeling of generic slung load system, *Journal of Guidance, Control, and Dynamics* 32 (2) (2009) 573–585.
- [235] J. Merlet, Simulation of discrete-time controlled cable-driven parallel robots on a trajectory, *IEEE Transactions on Robotics* 33 (3) (2017) 675–688.
- [236] E. Picard, F. Plestan, E. Tahoumi, F. Claveau, S. Caro, Control strategies for a cable-driven parallel robot with varying payload, *Mechatronics* 79 (2021) 102648.
- [237] H. Hussein, J. Santos, J. Izard, M. Gouttefarde, Smallest maximum cable tension determination for cable-driven parallel robots, *IEEE Transactions on Robotics* 37 (4) (2021) 1186–1205.
- [238] S. Oh, J. Ryu, S. Agrawal, Dynamics and control of a helicopter carrying a payload using a cable-suspended robot, *ASME Journal of Mechanical Design* 128 (5) (2006) 1113–1121.
- [239] D. Cabecinhas, R. Cunha, C. Silvestre, A trajectory tracking control law for a quadrotor with slung load, *Automatica* 106 (2019) 384–389.
- [240] L. Sun, K. Wang, A. Hossein, A. Mishamandani, G. Zhao, H. Huang, X. Zhao, B. Zhang, A novel tension-based controller design for the quadrotor-load system, *Control Engineering Practice* 112 (2021) 104818.
- [241] A. Brandao, D. Smrcka, E. Pairet, T. Nascimento, M. Saska, Side-pull maneuver: a novel control strategy for dragging a cable-tethered load of unknown weight using a UAV, *IEEE Robotics and Automation Letters* 7 (4) (2022) 9159–9166.

- [242] G. Li, X. Ma, Z. Li, Y. Li, Optimal trajectory planning strategy for underactuated overhead crane with pendulum-sloshing dynamics and full-state constraints, *Nonlinear Dynamics* 109 (2022) 815–835.
- [243] B. Xing, J. Huang, Control of pendulum-sloshing dynamics in suspended liquid containers, *IEEE Transactions on Industrial Electronics* 68 (6) (2021) 5146–5154.
- [244] R. Ibrahim, *Liquid Sloshing Dynamics. Theory and Applications*, Cambridge University Press, 2005.
- [245] H. Jin, M. Zackenhouse, Yoyo dynamics: sequence of collisions captured by a restitution effect, *ASME Journal of Dynamic Systems, Measurement, and Control* 124 (2002) 390–397.
- [246] A. Papacharalampopoulos, P. Aivaliotis, S. Makris, Simulating robotic manipulation of cabling and interaction with surroundings, *The International Journal of Advanced Manufacturing Technology* 96 (2018) 2183–2193.
- [247] R. Ronsse, P. Lefèvre, R. Sepulchre, Rhythmic feedback control of a blind planar juggler, *IEEE Transactions on Robotics* 23 (4) (2007) 790–802.
- [248] R. Martinez, J. Alvarez, A controller for 2-DOF underactuated mechanical systems with discontinuous friction, *Nonlinear Dynamics* 53 (2008) 191–200.
- [249] R. Martinez, J. Alvarez, Y. Orlov, Hybrid sliding-mode-based control of underactuated systems with dry friction, *IEEE Transactions on Industrial Electronics* 55 (11) (2008) 3998–4003.
- [250] B. Brogliato, L. Thibault, Existence and uniqueness of solutions for non-autonomous complementarity dynamical systems, *Journal of Convex Analysis* 17 (3-4) (2010) 961–990.
- [251] M. Camlibel, W. Heemels, J. Schumacher, On linear passive complementarity systems, *European Journal of Control* 8 (3) (2002) 220–237.
- [252] M. Camlibel, Popov-Belevitch-Hautus type tests for the controllability of linear complementarity systems, *Systems and Control Letters* 56 (5) (2007) 381–387.
- [253] M. Camlibel, W. Heemels, J. Schumacher, Algebraic necessary and sufficient conditions for the controllability of conewise linear systems, *IEEE Trans. on Automatic Control* 53 (3) (2008) 762–774.
- [254] B. Brogliato, Some results on the controllability of planar variational inequalities, *Systems and Control Letters* 54 (1) (2005) 65–71.
- [255] B. Brogliato, D. Goeleven, Well-posedness, stability and invariance results for a class of multivalued Lur’e dynamical systems, *Nonlinear Analysis, Theory, Methods and Applications* 74 (1) (2011) 195–212.
- [256] R. Kikuuwe, T. Okada, H. Hoshihara, T. Doi, T. Nanjo, K. Yamashita, A nonsmooth quasi-static modeling approach for hydraulic actuators, *ASME Journal of Dynamic Systems, Measurement, and Control* 143 (2021) 121002.
- [257] J. Pang, J. Trinkle, Stability characterizations of rigid body contact problems with Coulomb friction, *Zeitschrift für Angewandte Mathematik und Mechanik* 80 (10) (2000) 643–663.
- [258] E. Garcia, J. Estremera, P. G. de Santos, A comparative study of stability margins for walking machines, *Robotica* 20 (2002) 595–606.
- [259] Y. Or, E. Rimon, Investigation of Painlevé’s paradox and dynamic jamming during mechanism sliding motion, *Nonlinear Dynamics* 67 (2012) 1647–1668.
- [260] P. Varkonyi, Y. Or, Lyapunov stability of a rigid body with two frictional contacts, *Nonlinear Dynamics* 88 (1) (2017) 363–393.
- [261] Y. Or, A. Teel, Zero stability of the set-valued bouncing ball, *IEEE Transactions on Automatic Control* 56 (2) (2011) 447–452.
- [262] F. Bullo, N. Leonard, A. Lewis, Controllability and motion algorithms for underactuated Lagrangian systems on Lie groups, *IEEE Trans. on Automatic Control* 45 (8) (2000) 1437–1454.
- [263] A. Lewis, R. Murray, Configuration controllability of simple mechanical control systems, *SIAM J. on Control and Opt.* 35 (3) (1997) 766–790.
- [264] B. Brogliato, M. Mabrouk, A. Z. Rio, On the controllability of linear juggling mechanical systems, *Systems and Control Letters* 55 (2006) 350–367.
- [265] M. Bühler, D. Koditschek, P. Kindlmann, A family of robot control strategies for intermittent dynamical environments, *IEEE Control Systems Magazine* 10 (2) (1990) 16–22.
- [266] L. Menini, A. Tornambè, Control of (otherwise) uncontrollable linear mechanical systems through non-smooth impacts, *Systems and Control Letters* 49 (2003) 311–322.
- [267] M. B. Linan, J. Cortès, D. M. de Diego, S. Martinez, Global controllability tests for geometric hybrid control, *Nonlinear Analysis: Hybrid Systems* 38 (2020) 100935.

- [268] A. Tavakoli, Y. Hurmuzlu, Robotic locomotion of three generations of a family tree of dynamical systems. part ii: Impulsive control of gait patterns, *Nonlinear Dynamics* 73 (2013) 1991–2012.
- [269] Z. Yang, M. Blanke, A unified approach to controllability analysis for hybrid control systems, *Nonlinear Analysis: Hybrid Systems* 1 (2007) 212–222.
- [270] D. Bernstein, *Matrix Mathematics. Theory, Facts and Formulas*, Princeton University Press, 2009.
- [271] N. Rudin, H. Kolvenbach, V. Tsounis, M. Hutter, Cat-like jumping and landing of legged robots in low gravity using deep reinforcement learning, *IEEE Trans. on Robotics* DOI: 10.1109/TRO.2021.3084374.
- [272] A. Tanwani, B. Brogliato, C. Prieur, Observer design for unilaterally constrained mechanical systems: A passivity-based approach, *IEEE Transactions on Automatic Control* 61 (9) (2016) 2386–2401.
- [273] L. Menini, A. Tornambé, Velocity observers for linear mechanical systems subject to single non-smooth impacts, *Systems and Control Letters* 43 (3) (2001) 193–202.
- [274] L. Menini, A. Tornambé, Velocity observers for non-linear mechanical systems subject to non-smooth impacts, *Automatica* 38 (12) (2002) 2169–2175.
- [275] F. Martinelli, L. Menini, A. Tornambé, Observability, reconstructibility and observer design for linear mechanical systems unobservable in absence of impacts, *Journal of Dynamic Systems, Measurement, and Control* 125 (4) (2004) 549–562.
- [276] P. Preiswerk, R. Leine, State observers for the time discretization of a class of impulsive mechanical systems, *International Journal of Robust and Nonlinear Control* <https://doi.org/10.1002/rnc.6168>.
- [277] D. Bainov, P. Simeonov, *Systems with Impulse Effects: Stability Theory and Applications*, Ellis Horwood series in Mathematics and its Applications, Wiley, 1989.
- [278] M. Schatzman, Uniqueness and continuous dependence on data for one-dimensional impact problem, *Math. Comput. Modell.* 28 (4-8) (1998) 1–18.
- [279] J. Bourgeot, B. Brogliato, Tracking control of complementarity Lagrangian systems, *International Journal of Bifurcation and Chaos* 15 (6) (2005) 1839–1866.
- [280] D. Heck, A. Saccon, N. van de Wouw, H. Nijmeijer, Guaranteeing stable tracking of hybrid position-force trajectories for a robot manipulator interacting with a stiff environment, *Automatica* 63 (2016) 235–247.
- [281] M. Rijnen, A. Saccon, H. Nijmeijer, Reference spreading: Tracking performance for impact trajectories of a 1DoF setup, *IEEE Transactions on Control Systems Technology* 23 (8) (2019) 1124–1131.
- [282] M. Rijnen, J. Biemond, N. van de Wouw, A. Saccon, H. Nijmeijer, Hybrid systems with state-triggered jumps: Sensitivity-based stability analysis with application to trajectory tracking, *IEEE Transactions on Automatic Control* 65 (11) (2019) 4568–4583.
- [283] L. Lanza, Internal dynamics of multibody systems, *Systems and Control Letters* 152 (2021) 104931.
- [284] B. Brogliato, Absolute stability and the Lagrange–Dirichlet theorem with monotone multivalued mappings, *Systems and Control Letters* 51 (5) (2004) 343–353.
- [285] B. Brogliato, R. Lozano, B. Maschke, O. Egeland, *Dissipative Systems Analysis and Control*, 2nd Edition, Communications and Control Engineering, Springer Verlag, London, UK, 2007.
- [286] R. Naldi, R. Sanfelice, Passivity-based control for hybrid systems with applications to mechanical systems exhibiting impacts, *Automatica* 49 (2013) 1104–1116.
- [287] F. Génot, B. Brogliato, New results on Painlevé paradoxes, *European Journal of Mechanics A/Solids* 18 (4) (1999) 653–677.
- [288] A. Champneys, P. Varkonyi, The Painlevé paradox in contact mechanics, *IMA Journal of Applied Mathematics* 81 (3) (2016) 538–588.
- [289] A. Nordmark, P. Varkonyi, A. Champneys, Dynamics beyond dynamic jam; unfolding the Painlevé paradox singularity, *SIAM Journal on Applied Dynamical Systems* 17 (2) (2018) 1267–1309.
- [290] P. Varkonyi, Transitions and singularities during slip motion of rigid bodies, *European Journal of Applied Mathematics* 29 (5) (2018) 778–804.
- [291] N. Cheesman, S. Hogan, K. Kristiansen, The geometry of the Painlevé paradox, *SIAM Journal on Applied Dynamical Systems* 21 (3) (2022) 1798–1831.
- [292] Z. Zhao, C. Liu, B. Chen, B. Brogliato, Asymptotic analysis of Painlevé’s paradox, *Multibody System Dynamics* 35 (3) (2015) 299–319.

- [293] C. Francois, C. Samson, A new approach to the control of the planar one-legged hopper, *International Journal of Robotics Research* 17 (11) (1998) 1150–1166.
- [294] M. Buehler, D. Koditschek, P. Kindlmann, Planning and control of robotic juggling and catching tasks, *International Journal of Robotics Research* 13 (12) (1994) 101–118.
- [295] J. Merlet, D. Daney, Legs interference checking of parallel robots over a given workspace or trajectory, in: *Proceedings 2006 IEEE International Conference on Robotics and Automation, Orlando, USA, 2006*, pp. 757–762.
- [296] D. Q. Nguyen, M. Gouttefarde, *Cable-Driven Parallel Robots*, Vol. 32 of *Mechanisms and Machine Science*, Springer, Cham, CH, 2015, Ch. On the Improvement of Cable Collision Detection Algorithms, pp. 29–40.
- [297] L. Menini, C. Possieri, A. Tornambè, Dead-beat regulation of mechanical juggling systems, *Asian Journal of Control* 20 (2) (2018) 1–11.
- [298] U. Saranlı, W. Schwind, D. Koditschek, Toward the control of a multi-jointed, monoped runner, in: *Proc. IEEE Int. Conf. on Rob. and Automation, Leuven, B, 1998*, pp. 2676–2682.
- [299] U. Saranlı, O. Arslan, M. Ankarah, O. Morgul, Approximate analytic solutions to non-symmetric stance trajectories of the passive spring-loaded inverted pendulum with damping, *Nonlinear Dynamics* 62 (2010) 729–742.
- [300] A. Wu, H. Geyer, The 3-D spring-mass model reveals a time-based deadbeat control for highly robots running and steering in uncertain environments, *IEEE Transactions on Robotics* 29 (5) (2013) 1114–1124.
- [301] S. Schaal, C. Atkeson, Robot juggling: Implementation of memory-based learning, *IEEE Control Systems* 14 (1) (1994) 57–71.
- [302] M. M. Jimenez, B. Brogliato, Analysis of proportional-derivative and nonlinear control of mechanical systems with dynamic backlash, *J. of Vibration and Control* 9 (2003) 199–155.
- [303] G. Rega, S. Lenci, J. Thompson, *Nonlinear Dynamics and Chaos: Advances and Perspectives*, Springer, Berlin, Heidelberg, 2010, Ch. Controlling chaos: The OGY method, its use in mechanics, and an alternative unified framework for control of non-regular dynamics, pp. 211–269.
- [304] F. Mathis, R. Mukherjee, Apex height control of a two-mass robot hopping on a rigid foundation, *Mechanism and Machine Theory* 105 (2016) 44–57.
- [305] G. Luo, X. Lv, Controlling bifurcation and chaos of a plastic impact oscillator, *Nonlinear Analysis: Real World Applications* 10 (4) (2009) 2047–2061.
- [306] M. di Bernardo, C. Budd, A. Champneys, P. Kowalczyk, *Piecewise-smooth Dynamical Systems: Theory and Applications*, Vol. 163 of *Applied Mathematical Sciences*, Springer-Verlag, London, 2008.
- [307] R. Leine, H. Nijmeijer, *Dynamics and Bifurcations of Non-Smooth Mechanical Systems*, *Lecture Notes in Applied and Computational Mechanics*, Springer-Verlag, Berlin Heidelberg New York, 2004.
- [308] A. Nakashima, D. Maki, T. Sasayama, N. Sakamoto, A control design for paddle juggling based on discrete system with racket tracking errors, in: *Proc. IEEE/ASME International Conference on Advanced Intelligent Mechatronics, Sapporo, Japan, 2022*, pp. 664–669.
- [309] D. Serra, F. Ruggiero, V. Lippiello, B. Siciliano, A nonlinear least squares approach for nonprehensile dual-hand robotic ball juggling, in: *IFAC PapersOnLine, 20th IFAC World Congress, Vol. 50, 2017*, pp. 11485–11490.
- [310] H. Nguyen, S. Oлару, Hybrid modelling and constrained control of juggling systems, *Int. Journal of Systems Science* 44 (2) (2013) 306–320.
- [311] A. Muller, Internal preload control of redundantly actuated parallel manipulators – its application to backlash avoiding control, *IEEE Trans. on Robotics* 21 (4) (2005) 668–677.
- [312] A. Muller, Consequences of geometric imperfections for the control of redundantly actuated parallel manipulators, *IEEE Trans. on Robotics* 26 (1) (2010) 21–31.
- [313] M. Posa, C. Cantu, R. Tedrake, A direct method for trajectory optimization of rigid bodies through contact, *The Int. J. of Rob. Res.* 33 (1) (2014) 69–81.
- [314] M. Posa, M. Tobenkin, R. Tedrake, Stability analysis and control of rigid-body systems with impacts and friction, *IEEE Trans. on Automatic Control* 61 (6) (2016) 1423–1437.
- [315] M. Fazeli, R. Kolbert, R. Tedrake, A. Rodriguez, Parameter and contact force estimation of planar rigid-bodies undergoing frictional contact, *The International Journal of Robotics Research* 36 (13-14) (2017) 1437–1454.
- [316] R. Kikuuwe, B. Brogliato, A new representation of systems with frictional unilateral constraints and its baumgarte-like relaxation, *Multibody System Dynamics* 39 (3) (2017) 267–290.

- [317] T. Chang, Y. Hurmuzlu, Sliding control without reaching phase and its application to bipedal locomotion, *ASME Journal of Dynamic Systems, Measurement, and Control* 115 (3) (1993) 447–455.
- [318] A. Cox, P. Razzaghi, Y. Hurmuzlu, Feedback linearization of inertially actuated jumping robots, *Actuators* 10 (6) (2021) 114, <https://doi.org/10.3390/act10060114>.
- [319] A. Prakash, G. Meena, Observer design for apex height and vertical velocity of a single-leg hopping robot during stance phase, *Robotica* DoI: 10.1017/S02635747210011429.
- [320] M. Yeatman, R. Gregg, Using energy shaping and regulation for limit cycle stabilization, generation, and transition in simple locomotive systems, *ASME Journal of Computational and Nonlinear Dynamics* 16 (2021) 091005–1–10.
- [321] Y. Aoustin, A. Formalskii, Modeling, control and simulation of upward jump in a biped, *Multibody Systems Dynamics* 29 (2013) 425–445.
- [322] R. Sato, S. Hiasa, I. Wang, H. Liu, F. Meng, Q. Huang, A. Ming, Vertical jumping by a legged robot with upper and lower leg bi-articular muscle-tendon complexes, *IEEE Robotics and Automation Letters* 6 (4) (2021) 7572–7579.
- [323] A. Komarsofla, E. Yazdi, M. Eghtesad, Dynamic modeling and control of a novel one-legged hopping robot, *Robotics* 39 (2021) 1692–1710.
- [324] L. Menini, C. Possieri, A. Tornambé, On the computation of the continuous-time reference trajectory for mechanical juggling systems, in: *IEEE 54th Conf. on Decision and Control*, Osaka, Japan, 2015, pp. 145–150.
- [325] A. Vieira, B. Brogliato, C. Prieur, Quadratic optimal control of linear complementarity systems: First order necessary conditions and numerical analysis, *IEEE Trans. on Automatic Control* 65 (6) (2020) 743–2750, report at <https://hal.inria.fr/hal-01690400v3/document>.
- [326] A. Vieira, B. Brogliato, C. Prieur, Optimality conditions for the minimal time problem for complementarity systems, *IFAC-PapersOnLine* 52 (16) (2019) 239–244, 11th IFAC Symposium on Nonlinear Control Systems, September 2019, Wien, Austria.
- [327] J. Bohg, A. Morales, T. Asfour, D. Kragic, Data-driven grasp synthesis – a survey, *IEEE Transactions on Robotics* 30 (2) (2014) 289–309.
- [328] Y. Zheng, F. Veiga, J. Peters, V. Santos, Autonomous learning of page flipping movements via tactile feedback, *IEEE Transactions on Robotics* DoI: 10.1109/TRO.2022.3168731.
- [329] P. Lynch, M. Cullinan, C. McGinn, Adaptive grasping of moving objects through tactile sensing, *Sensors* 21 (24) (2021) 8339.
- [330] M. Camlibel, J. Pang, J. Shen, Lyapunov stability of complementarity and extended systems, *SIAM J. on Optimization* 17 (4) (2006) 1056–1101.
- [331] S. Niculescu, B. Brogliato, Force measurement time-delays and contact instability phenomenon, *European Journal of Control* 5 (2-4) (1999) 279–289.
- [332] A. Tornambé, Discussion on: "Force measurement time-delays and contact instability phenomenon" by S.-I. Niculescu and B. Brogliato, *European Journal of Control* 5 (2-4) (1999) 290–292.
- [333] T. Yoshikawa, A. Sudou, Dynamic hybrid position/force control of robot manipulators-on-line estimation of unknown constraint, *IEEE Trans. on Robotics* 9 (2) (1993) 220–226.
- [334] G. Yu, D. Cabecinhas, R. Cunha, C. Silvestre, Nonlinear backstepping control of a quadrotor-slung load system, *IEEE/ASME Transactions on Mechatronics* 24 (5) (2019) 2304–2315.
- [335] Y. Chen, S. Trenn, W. Respondek, Normal forms and internal regularization of nonlinear differential-algebraic control systems, *Int. Journal of Robust and Nonlinear Control* 31 (2021) 6562–6584.
- [336] L. Marton, B. Lantos, Control of mechanical systems with Stribeck friction and backlash, *Systems and Control Letters* 58 (2009) 141–147.
- [337] J. Lin, N. Divekar, G. Lv, R. Cregg, Optimal task-invariant energetic control for a knee-ankle exoskeleton, *IEEE Control Systems Letters* 5 (5) (2021) 1711–1716.
- [338] J. Lin, N. Divekar, G. Thomas, R. Cregg, Optimally biomimetic passivity-based control of a lower-limb exoskeleton over the primary activities of daily life, *IEEE Open Journal of Control Systems* 1 (2022) 15–28.
- [339] P. Reist, R. D’Andrea, Design and analysis of a blind juggling robot, *IEEE Transactions on Robotics* 28 (6) (2012) 1228–1243.
- [340] D. Sternad, M. Duarte, H. Katsumata, S. Schaal, Dynamics of a bouncing ball in human performance, *Physical Review E* 63 (2000) 011902–1–8.
- [341] B. Brogliato, A. Polyakov, Digital implementation of sliding-mode control via the implicit method: A tutorial, *International Journal of Robust and Nonlinear Control* 31 (9) (2021) 3528–3586.

- [342] D. Stewart, J. Trinkle, An implicit time-stepping scheme for rigid body dynamics with inelastic collisions and Coulomb friction, *Int. J. Numerical Methods in Engineering* 39 (15) (1996) 2673–2691.
- [343] V. Acary, O. Bonnefon, M. Brémont, O. Huber, F. Pérignon, S. Sinclair, An introduction to *SICONOS*, Tech. rep., INRIA Grenoble, University Grenoble Alpes, Grenoble, France, <https://hal.inria.fr/inria-00162911v3/document> (2019).
- [344] D. Balkcom, J. Trinkle, Computing wrench cones for planar rigid body contact tasks, *Int. J. Robotics Research* 21 (12) (2002) 1053–1066.
- [345] J. Trinkle, J. Pang, S. Sudarsky, G. Lo, On dynamic multi-rigid-body contact problems with Coulomb friction, *Zeitschrift für Angewandte Mathematik und Mechanik* 77 (4) (1997) 267–279.
- [346] W. Dong, G. Gu, Y. Ding, X. Zhu, H. Ding, Ball juggling with an underactuated flying robot, in: *IEEE/RSJ Int. Conf. on Intelligent Robots and Systems*, Hamburg, Germany, 2015, pp. 68–73.
- [347] M. R. Mojallizadeh, B. Brogliato, V. Acary, Time-discretizations of differentiators: Design of implicit algorithms and comparative analysis, *International Journal of Robust and Nonlinear Control* 31 (16) (2021) 7679–7723.
- [348] J. E. Carvajal-Rubio, J. D. Sánchez-Torres, M. Defoort, M. Djemai, A. G. Loukianov, Implicit and explicit discrete-time realizations of homogeneous differentiators, *International Journal of Robust and Nonlinear Control* 31 (9) (2021) 3606–3630.
- [349] S. Traversaro, D. Pucci, F. Nori, A unified view of the equations of motion used for control design of humanoid robots. The role of the base frame in free-floating mechanical systems and its connection to centroidal dynamics, available on-line (2017).
- [350] S. Traversaro, Modelling, estimation and identification of humanoid robots dynamics, Ph.D. thesis, Fondazione Istituto Italiano di Tecnologia, Genova, Italia, <https://zenodo.org/record/3564797#.YwzGnmHP1H4> (2017).
- [351] M. Alamir, Learning against uncertainty in control engineering, *Annual Reviews in Control* 53 (2022) 19–29.
- [352] T. Lillicrap, J. Hunt, A. Pritzel, N. Hees, T. Erez, Y. Tassa, D. Silver, D. Wierstra, Continuous control with deep reinforcement learning, in: *6th Int. Conf. Learning Representations*, Puerto Rico, 2016, pp. 1–14, <https://arxiv.org/pdf/1509.02971.pdf>.
- [353] G. Yan, A. Schmitz, S. Funabashi, S. Somlor, T. Tomo, S. Sugano, A robotic grasping state perception framework with multi-phase tactile information and ensemble learning, *IEEE Transactions on Robotics* DoI: 10.1109/LRA.2022.3151260.
- [354] A. Xi, C. Chen, Walking control of a biped robot on static and rotating platforms based on hybrid reinforcement learning, *IEEE Access* 8 (2020) 148411–148423.
- [355] C. Gil, H. Calvo, H. Sossa, Learning an efficient gait cycle of a biped robot based on reinforcement learning and artificial neural networks, *Applied Sciences* 9 (2019) 502.
- [356] S. Ada, E. Ugur, H. Akin, Generalization in transfer learning: robust control of robot locomotion, *Robotica* DoI: 10.1017/S0263574722000625.
- [357] D. Büchler, S. Guist, R. Calandra, V. Berenz, B. Schölkopf, J. Peters, Learning to play table tennis from scratch using muscular robots, *IEEE Transactions on Robotics* DoI: 10.1109/TRO.2022.3176207.
- [358] K. Tanaka, M. Hamaya, D. Joshi, F. von Drigalski, R. Yonetani, T. Matsubara, Y. Ijiri, Learning robotic contact juggling, in: *IEEE/RSJ Int. Conf. on Intelligent Robots and Systems*, Prague, Czech Rep., 2021, pp. 958–964.
- [359] M. Lutter, J. Silberbauer, J. Watson, J. Peters, Differentiable physics models for real-world offline model-based reinforcement learning, in: *IEEE Int. Conf. on Robotics and Automation*, 2021, pp. 4163–4170.
- [360] K. Ploeger, M. Lutter, J. Peters, High acceleration reinforcement learning for real-world juggling with binary rewards, in: *4th Conference on Robot Learning*, Vol. 155 of *Proc. of Machine Learning Research*, Cambridge, MA, USA, 2020, pp. 642–653.
- [361] Y. Duan, X. Chen, R. Houthoofd, J. Schulman, P. Abbeel, Benchmarking deep reinforcement learning for continuous control, in: *PMLR*, Vol. 48, New York, 2016, pp. 1329–1338.
- [362] M. Parmar, M. Halm, M. Posa, Fundamental challenges in deep learning for stiff contact dynamics, in: *Proc. IEEE/RSJ International Conference on Intelligent Robots and Systems (IROS)*, Prague, Czech Republic, 2021, pp. 5181–5188.
- [363] S. L. Brunton, M. Budišić, E. Kaiser, J. N. Kutz, Modern Koopman theory for dynamical systems, *SIAM Review* 64 (2) (2022) 229–340.
- [364] A. Mauroy, M. I. Y. Susuki (Eds.), *The Koopman Operator in Systems and Control. Concepts, Methodologies, and Applications*, Vol. 484 of *Lecture Notes in Control and Information Sciences*, Springer Cham, 2020.
- [365] N. Govindarajan, H. Arbabi, L. van Blargian, T. Matchen, E. Tegling, I. Mezic, An operator-theoretic viewpoint to non-smooth dynamical systems: Koopman analysis of a hybrid pendulum, in: *Proc. IEEE 55th Conference on Decision and Control*, Las Vegas, NV, USA, 2016, pp. 6477–6484.

- [366] F. Ruggiero, A. Petit, D. Serra, A. Satici, J. Cacace, A. Donaire, F. Ficuciello, L. Buonocore, G. Fontanelli, V. Lipiello, L. Villani, B. Siciliano, Nonprehensile manipulation of deformable objects, *IEEE Robotics and Automation Magazine* 25 (3) (2018) 83–92.
- [367] P. Song, J. Ramon, Y. Mezouar, Dynamic evaluation of deformable object grasping, *IEEE Robotics and Automation Letters* 7 (2) (2022) 4392–4399.
- [368] T. Endo, N. Shiratani, K. Yamaguchi, F. Matsuno, Grasp and orientation control of an object by two Euler-Bernoulli arms with rolling constraints, *ASME J. Dyn. Sys., Meas., Control.* 141 (12) (2019) 121010.
- [369] W. Huang, W. Shang, Y. Huang, H. Long, X. Wu, Insect-scale SMAW-based soft robot with crawling, jumping, and loading locomotion, *IEEE Robotics and Automation Letters* 7 (4) (2022) 9287–9293.