



**HAL**  
open science

## Device-Independent Quantification of Quantum Resources

Alastair A. Abbott, Nicolas Brunner, Ivan Šupić, Roope Uola

► **To cite this version:**

Alastair A. Abbott, Nicolas Brunner, Ivan Šupić, Roope Uola. Device-Independent Quantification of Quantum Resources. Vienna Quantum Foundations Conference, Sep 2021, Vienna, Austria. <hal-03588309>

**HAL Id: hal-03588309**

**<https://inria.hal.science/hal-03588309v1>**

Submitted on 24 Feb 2022

HAL is a multi-disciplinary open access archive for the deposit and dissemination of scientific research documents, whether they are published or not. The documents may come from teaching and research institutions in France or abroad, or from public or private research centers.

L'archive ouverte pluridisciplinaire HAL, est destinée au dépôt et à la diffusion de documents scientifiques de niveau recherche, publiés ou non, émanant des établissements d'enseignement et de recherche français ou étrangers, des laboratoires publics ou privés.



HAL Authorization

# Device-Independent Quantification of Quantum Resources



Alastair A. Abbott<sup>1,2</sup>, Nicolas Brunner<sup>2</sup>, Ivan Šupić<sup>2,3</sup>, and Roope Uola<sup>2</sup>

<sup>1</sup>Univ. Grenoble Alpes, Inria, 38000 Grenoble, France

<sup>2</sup>Département de Physique Appliquée, Université de Genève, 1211 Genève, Switzerland

<sup>3</sup>CNRS, LIP6, Sorbonne Université, 4 Place Jussieu, 75005 Paris, France



## Motivation and Goals

- Quantum resources (states, measurements, channels, ...) provide advantages that can be operationally quantified
- Quantifying a given resource typically requires well characterised states and/or measurements to probe the resource
- What resources can be characterised in a **device independent** way?
- Goal:** use techniques from self-testing to **certify and quantify any resourceful object** in a black-box setting

## Quantum Resources

We consider resources with convex free sets:

- States:** entanglement, steerability, non-Gaussianity, magic, ...
- Measurements:** incompatibility, non-projective-simulability, ...
- Channels:** non-entanglement-breaking and non-incompatibility-breaking channels, thermal operations, ...

We focus on **channel resources**

- The resourcefulness of  $\Lambda$  w.r.t. a free set  $F$  can be quantified with the **generalised robustness**:

$$R_F(\Lambda) = \min_{\tilde{\Lambda}} \left\{ t \geq 0 \mid \frac{\Lambda + t\tilde{\Lambda}}{1+t} \in F \right\}$$

## Resource Quantification with Input-Output Games [2]

- $R_F(\Lambda)$  related to operational advantage in an input-output game  $\mathcal{G} = (\mathcal{E}, \mathcal{M}, \Omega)$ :

$$\begin{aligned} \mathcal{E} &= \{p(x)\rho_x\}_x && \text{(input state ensemble)} \\ \mathcal{M} &= \{M_d\}_d && \text{(a POVM)} \\ \Omega &= \{w_{x,d}\}_{x,d} && \text{(score)} \end{aligned}$$



$$P(\Lambda, \mathcal{G}) = \sum_{x,d} p(x) \omega_{x,d} \text{tr}[\Lambda(\rho_x)M_d] \quad \text{(payout)}$$

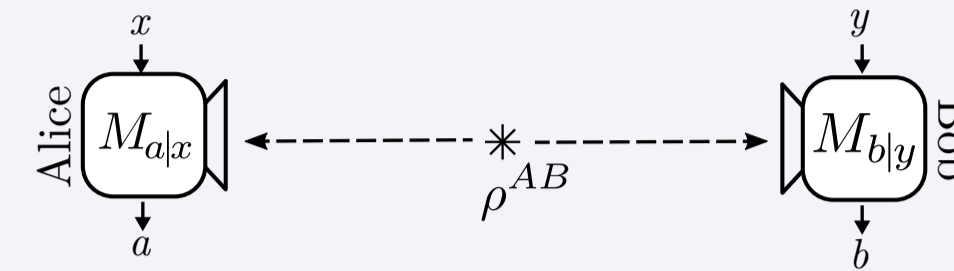
- For well-normalised input-output games, payout a resource can give is directly related to its robustness:

$$1 + \mathcal{R}_F(\Lambda) = \max_{\mathcal{G}} P(\Lambda, \mathcal{G})$$

- Device dependent: Must trust  $\mathcal{E}$  and  $\mathcal{M}$ !**

## Self-testing [3]

Certify exact form of a state and measurements from correlations  $p(a, b|x, y)$

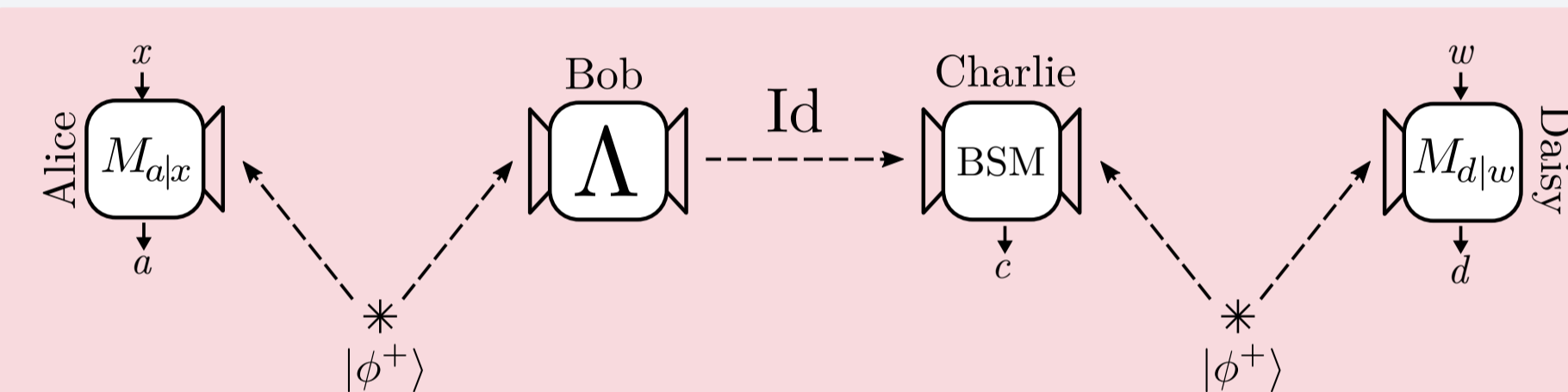


- E.g.: maximal violation of a Bell inequality can certify:
  - $\rho \simeq |\phi^+\rangle\langle\phi^+|$ , Alice and Bob measure Pauli  $X, Y, Z$
- Certification up to local isometries and complex conjugate

## Reference Scenario & Protocol

Use self-testing to characterise, device-independently:

- remote preparation of pure states  $\{\rho_x\}_x$
- arbitrary measurement  $\{M_d\}_d$



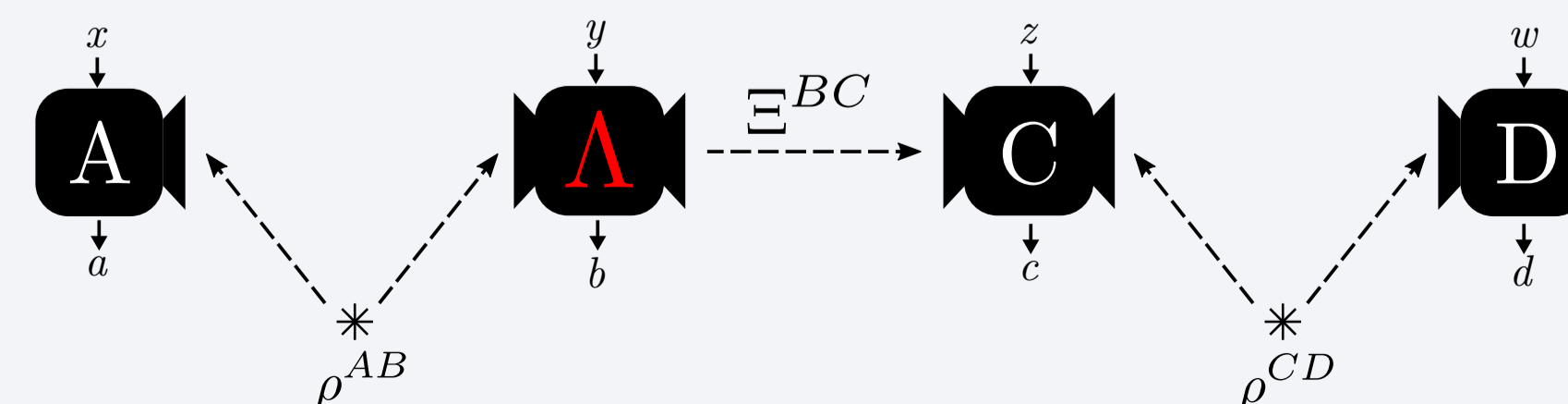
- On input  $x$ , Alice remotely prepares  $\rho_x$  for Bob by performing a suitable measurement on her share of  $|\phi^+\rangle^{AB}$ .
- Bob applies  $\Lambda$  to  $\rho_x$  and sends  $\Lambda(\rho_x)$  to Charlie via the identity channel  $\text{Id}$ .
- Charlie performs a Bell-state measurement (BSM) on  $\Lambda(\rho_x)$  and his share of  $|\phi^+\rangle^{CD}$ , teleporting to Daisy the state  $\sigma_c \Lambda(\rho_x) \sigma_c^\dagger$ .
- Daisy measures  $\{M_{d|w}\}_d = \{\sigma_w M_d \sigma_w^\dagger\}_d$  on the teleported state; for  $w = c$  this is equivalent to measuring  $\{M_d\}_d$  on  $\Lambda(\rho_x)$ .

$$P(\Lambda, \mathcal{G}) = \sum_{x,d} p(x) \omega_{x,d} \sum_{c,w} \frac{1}{p(0|x)} p(0, c, d|x, w) \delta_{c,w}$$

## Device-independent Quantification Protocol

Add extra inputs to self-test (up to local isometries):

- Maximally entangled states  $\rho^{AB}$  and  $\rho^{CD}$
- Pauli  $X, Y, Z$  measurements for Alice and Daisy
- Identity channel  $\Xi^{BC}$
- Bell-state measurement for Charlie



## Quantification Statement

- The statistics on “quantification rounds” give the payoff  $P(\Lambda^{\text{ext}}, \mathcal{G})$  of an **effective (extractable) channel**

$$\Lambda^{\text{ext}} = h_{00}\Lambda_{00}^{\text{ext}} + h_{11}\tilde{\Lambda}_{11}^{\text{ext}}$$

- $\tilde{\Lambda}_{11}^{\text{ext}}(\rho) = \Lambda_{11}^{\text{ext}}(\rho^*)^*$  (conjugate channel)
- $\Lambda_{ii}^{\text{ext}}$  can be extracted with local isometries from the physical effective channel  $\mathcal{T}^{C \rightarrow D} \circ \Xi^{BC} \circ \Lambda$  from Bob to Daisy and takes into account “junk states”  $\xi_{ii}$  arising during extraction
- $\Lambda_{00}$  and  $\Lambda_{11}$  differ in junk states arising from self-testing (indistinguishability of correlated Alice-Daisy conjugation)
- DI certification that we can extract a channel with payout  $P(\Lambda^{\text{ext}}, \mathcal{G})$  on  $\mathcal{G}$

## Relation to Physical Channel

For “well-behaved” resources:

- Resource certification:** If  $\Lambda$  is resourceless, so is  $\Lambda^{\text{ext}}$
- Quantification bound:**  $P(\Lambda^{\text{ext}}, \mathcal{G}) \leq \max_{\mathcal{G}'} P(\Lambda, \mathcal{G}')$ 
  - i.e.,  $R_F(\Lambda^{\text{ext}}) \leq R_F(\Lambda)$

Resource must satisfy certain preconditions:

- Can't be increased by local unitaries
- Insensitive to channel conjugation
- Unaffected by attaching extra DOFs that measurements are trivial on

## Examples

- Non-entanglement-breaking and non-incompatibility-breaking channels are faithfully quantified in this way
- Can be significantly simplified for state or measurement resources
  - E.g., input-output games  $\rightarrow$  state-discrimination games
  - Complements known DI certification of all entangled states [4]
- We likewise obtain a fully black-box certification of any sets of incompatible measurements

## Conclusions and Open Questions

- DI **certification** of any\* resourceful channel
- Correlations **quantify** the resourcefulness of implemented channel
- Causal network structure of protocol important to its success
- Full characterisation of which resources can be quantified in this way?

## References

- A. A. Abbott, N. Brunner, I. Šupić, and R. Uola, in preparation (2021).
- R. Uola, T. Kraft, and A. A. Abbott, Phys. Rev. A **101**, 052306 (2019).
- I. Šupić and J. Bowles, Quantum **4**, 337 (2020).
- J. Bowles, I. Šupić, D. Cavalcanti, and A. Acín, Phys. Rev. Lett. **121**, 180503 (2018).