



HAL
open science

Hierarchy Builder: algebraic hierarchies made easy in Coq with Elpi

Cyril Cohen, Kazuhiko Sakaguchi, Enrico Tassi

► **To cite this version:**

Cyril Cohen, Kazuhiko Sakaguchi, Enrico Tassi. Hierarchy Builder: algebraic hierarchies made easy in Coq with Elpi. 2020. hal-02478907v1

HAL Id: hal-02478907

<https://inria.hal.science/hal-02478907v1>

Preprint submitted on 14 Feb 2020 (v1), last revised 23 Sep 2022 (v6)

HAL is a multi-disciplinary open access archive for the deposit and dissemination of scientific research documents, whether they are published or not. The documents may come from teaching and research institutions in France or abroad, or from public or private research centers.

L'archive ouverte pluridisciplinaire **HAL**, est destinée au dépôt et à la diffusion de documents scientifiques de niveau recherche, publiés ou non, émanant des établissements d'enseignement et de recherche français ou étrangers, des laboratoires publics ou privés.

1 Hierarchy Builder: algebraic hierarchies made easy 2 in Coq with Elpi

3 Cyril Cohen

4 Inria, Université Côte d’Azur, France

5 Cyril.Cohen@inria.fr

6 Kazuhiko Sakaguchi

7 University of Tsukuba, Japan

8 sakaguchi@logic.cs.tsukuba.ac.jp

9 Enrico Tassi

10 Inria, Université Côte d’Azur, France

11 Enrico.Tassi@inria.fr

12 — Abstract —

13 It is nowadays customary to organize libraries of machine checked proofs around hierarchies of
14 algebraic structures [2, 6, 8, 16, 18, 23, 27]. One influential example is the Mathematical Components
15 library on top of which the long and intricate proof of the Odd Order Theorem could be fully
16 formalized [14].

17 Still, building algebraic hierarchies in a proof assistant such as Coq [9] requires a lot of manual
18 labor and often a deep expertise in the internals of the prover [13, 17]. Moreover, according to our
19 experience [26], making a hierarchy evolve without causing breakage in client code is equally tricky:
20 even a simple refactoring such as splitting a structure into two simpler ones is hard to get right.

21 In this paper we describe *HB*, a high level language to *build* hierarchies of algebraic structures
22 and to make these hierarchies *evolve* without breaking user code. The key concepts are the ones
23 of *factory*, *builder* and *abbreviation* that let the hierarchy developer describe an actual interface
24 for their library. Behind that interface the developer can provide appropriate code to ensure retro
25 compatibility. We implement the *HB* language in the `hierarchy-builder` addon for the Coq system
26 using the Elpi [11, 28] extension language.

27 **2012 ACM Subject Classification** General and reference → General literature; General and reference

28 **Keywords and phrases** Algebraic Hierarchy, Packed Classes, Coq, Elpi, Metaprogramming, λProlog

29 **Digital Object Identifier** 10.4230/LIPIcs.CVIT.2016.23

30 **1** Introduction

31 Modern libraries of machine checked proofs are organized around hierarchies of algebraic
32 structures [2, 6, 8, 16, 18, 23, 27]. For example the Mathematical Components library for
33 the Coq system [9] provides a very rich, ever growing, hierarchy of structures such as group,
34 ring, module, algebra, field, partial order, order, lattice. . . The hierarchy does not only serve
35 the purpose of organizing knowledge, but also to make it easy to exploit it. Indeed the
36 interactive prover can take advantage of the structure of the library and the relation between
37 its concepts to infer part of information usually left implicit by the user, a capability that
38 turned out to be key to tame the complexity and size of the formal proof of the Odd Order
39 Theorem [14].

40 The hierarchy of the Mathematical Components library is implemented following the
41 discipline of Packed Classes initially introduced in [13] and later also adopted in [2] and
42 [6]. We call Packed Classes a discipline, and not a language, because, in spite of its many
43 virtues, it is unwieldy to use. In particular it leaks to the user many of the technical details
44 of the Coq system. As a result, one needs to be a Coq expert in order to build or modify a
45 hierarchy, and even experts make mistakes as shown in [26]. Another inconvenience of the



© Cyril Cohen and Kazuhiko Sakaguchi and Enrico Tassi;
licensed under Creative Commons License CC-BY

42nd Conference on Very Important Topics (CVIT 2016).

Editors: John Q. Open and Joan R. Access; Article No. 23; pp. 23:1–23:18

Leibniz International Proceedings in Informatics



LIPICs Schloss Dagstuhl – Leibniz-Zentrum für Informatik, Dagstuhl Publishing, Germany

46 Packed Classes discipline is that even simple changes to the hierarchy, such as splitting a
47 structure into two simpler ones, break user code.

48 In this paper we describe \mathcal{HB} , a high level language to *build* hierarchies of algebraic
49 structures and to make these hierarchies *evolve* without breaking user code. The key concepts
50 are the ones of *factory* and *abbreviation* that let the hierarchy developer describe an actual
51 interface for their library. Behind that interface the developer can provide appropriate code
52 to ensure retro compatibility. We implement the \mathcal{HB} language by compiling it to a variant
53 of the Packed Classes discipline, that we call *flat*, in the `hierarchy-builder` addon for Coq.
54 We write this addon using the Elpi [11, 28] extension language.

55

56 To sum up, the main contributions of the paper are:

- 57 ■ the design of the \mathcal{HB} language,
- 58 ■ the compilation of \mathcal{HB} to the (flat) Packed Classes discipline, and
- 59 ■ the implementation of \mathcal{HB} in the `hierarchy-builder` addon for Coq.

60 The paper is organized as follows. Via an example we introduce \mathcal{HB} and its key ideas. We
61 then describe the discipline of Packed Classes and we show how \mathcal{HB} can be compiled to it.
62 We then discuss the implementation of the Coq addon via the Elpi extension language and
63 we position \mathcal{HB} in the literature.

64 2 \mathcal{HB} by examples: building and evolving a hierarchy

65 The first version of our hierarchy (that we name V1) features only two structures: `Monoid`
66 and `Ring`.

```

1  Elpi hb.mixin Monoid_of_Type A.
2  Record axioms := {
3    zero : A;
4    add : A -> A -> A;
5    addrA : associative add;           (* `add` is associative.           *)
6    addr0r : left_id zero add;       (* `zero` is the left and right neutral *)
7    addr0 : right_id zero add;      (* element with respect to `add`.    *)
8  }.
9  Elpi hb.end.
10 Elpi hb.structure Monoid Monoid_of_Type.axioms.
11
12 Elpi hb.mixin Ring_of_Monoid A Monoid.axioms.
13 Record axioms := {
14   one : A;
15   opp : A -> A;
16   mul : A -> A -> A;
17   addNr : left_inverse zero opp add; (* `opp x` is the left and right additive *)
18   addrN : right_inverse zero opp add; (* inverse of `x`.                       *)
19   mulrA : associative mul;           (* `mul` is associative.                 *)
20   mulr1 : left_id one mul;          (* `one` is the left and right neutral  *)
21   mulr1 : right_id one mul;         (* element with respect to `mul`.       *)
22   mulrDl : left_distributive mul add; (* `mul` is left and right distributive *)
23   mulrDr : right_distributive mul add; (* over `add`.                          *)
24 }.
25 Elpi hb.end.
26 Elpi hb.structure Ring Monoid.axioms Ring_of_Monoid.axioms.

```

67 In order to build a structure we need to declare some factories and later assemble them.
68 One kind of factory supported by \mathcal{HB} , the simplest one, is called *mixin* and is embodied by
69 a record, by convention named `axioms`, that gathers operations and properties.

70 Mixins are declared via the `Elpi hb.mixin` command that takes a module name, a type
71 variable name and a possibly empty list of factories for that type. The code between lines 1

72 and 9 declares a mixin that can turn a naked type `A` into a monoid, hence we chose the
73 module name to be `Monoid_of_Type`.

74 The `Elpi hb.structure` command takes in input a name `S` and a possibly empty list of
75 factories. It registers a structure `S` in the hierarchy placing any definition specific to that
76 structure inside a Coq module named `S`. Line 10 hence forges the `Monoid` structure.

77 Line 12 declares a second mixin collecting the operations and properties that are needed
78 in order to enrich a monoid to a ring, hence the name `Ring_of_Monoid`. Indeed this time
79 the type variable `A` is followed by `Monoid.axioms` that enriches `A` with the operations and
80 properties of monoids. As a consequence `add` and `zero` can be used to express the new
81 properties.

82 The last line declares the `Ring` structure to hold all the axioms declared so far. We can
83 now inspect the contents of the hierarchy and then proceed to build a theory about abstract
84 rings, register examples (instances) of ring structures and finally use the abstract theory on
85 these examples.

```

1 Print Monoid.type. (* Monoid.type := { sort : Type; ... } *)
2 Check @add. (* add : forall M : Monoid.type, M -> M -> M *)
3 Check @addNr. (* addNr : forall R : Ring.type, left_inverse zero opp add *)
4
5 Lemma addrC : forall R : Ring.type, commutative (@add R).
6 Proof. (* Proof by Hankel 1867, omitted for brevity *) Qed.
7
8 Definition Z_Monoid_axioms : Monoid_of_Type.axioms Z :=
9   Monoid_of_Type.Axioms Z 0 Z.add Z.add_assoc Z.add_0_l Z.add_0_r.
10
11 Elpi hb.instance Z Z_Monoid_axioms.
12
13 Definition Z_Ring_axioms : Ring_of_Monoid.axioms Z _ :=
14   Ring_of_Monoid.Axioms Z 1 Z.opp Z.mul
15     Z.add_opp_diag_l Z.add_opp_diag_r Z.mul_assoc Z.mul_1_l Z.mul_1_r
16     Z.mul_add_distr_r Z.mul_add_distr_l.
17
18 Elpi hb.instance Z Z_Ring_axioms.
19
20 Lemma exercise (m n : Z) : (n + m) - n * 1 = m.
21 Proof. by rewrite mulr1 (addrC n) -(addrA m) addrN addr0. Qed.

```

86 We can print the type for monoids as forged by *HB* (line 1). It packs a carrier, called `sort`,
87 and the collection of operation and properties that we omit for brevity. We can also look
88 at the type of two constants synthesized by *HB* out of the hierarchy declaration. Remark
89 that while the names of the constants come from the names of mixin fields, their types differ.
90 In particular they are quantified over a `Monoid.type` or `Ring.type`, and not a simple type `A`
91 as in the mixins. Moreover we evince that the `sort` projection is declared as an implicit
92 coercion [24] and is automatically inserted in order to make `M -> M -> M` a meaningful type
93 for binary operations on the carrier of `M`. Last, we see that properties are quantified on (hence
94 apply to) the structure they belong to but use, in their statements, operations belonging to
95 simpler structures. For example `addNr` is a property of a ring but its statement mentions `add`,
96 the operation of the underlying monoid.

97 We then follow the proof of Hankel [5] to show that ring axioms imply the commutativity
98 of the underlying monoid (line 5). This simple example shows we can populate the theory of
99 abstract rings with new results.

100 We use the `Monoid_of_Type.Axioms abbreviation` (line 8) in order to build an instance
101 of the `Monoid` structure for binary integers `Z`. We then register that monoid instance as
102 the canonical one on `Z` (line 11) via the command `hb.canonical`. We can similarly declare
103 that `Z` forms a ring by using the `Ring_of_Monoid.Axioms abbreviation` (lines 13 and 18).

23:4 Hierarchy Builder

104 Note that the `Ring_of_Monoid.Axioms` abbreviation is not a plain record constructor for
105 `Ring_of_Monoid.axioms`, since that would require more arguments, namely the monoid ones
106 (see the `_` at line 13). The abbreviation synthesized by *HB* infers them automatically (as
107 in [17, Section 7]) thanks to the `hb.canonical` declaration given just above.

108 From now on the axioms as well as the abstract theory of rings apply to integers, as shown
109 in lemma `exercise`. The details of the proof do not matter here, what is worth pointing out
110 is that in a single statement we mix monoid (e.g. `+`) and ring (e.g. `-`) operations and in the
111 proof we use monoid axioms (e.g. `addrA`), ring axioms (e.g. `addrN`) and ring lemmas (e.g.
112 `addrC`), all seamlessly.

113 2.1 Evolution of the hierarchy

114 We proceed by accommodating the intermediate structure of Abelian groups.

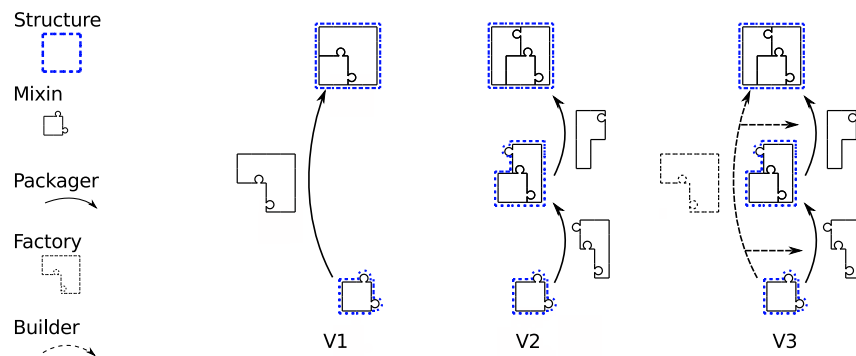
```
1  Elpi hb.mixin Monoid_of_Type A.  
2  Record axioms := { ... (* unchanged *) ... }.  
3  Elpi hb.end.  
4  Elpi hb.structure Monoid Monoid_of_Type.axioms.  
5  
6  Elpi hb.mixin AbelianGroup_of_Monoid A Monoid.axioms.  
7  Record axioms := {  
8    opp : A -> A;  
9    addrC : commutative (add : A -> A -> A);  
10   addrNr : left_inverse zero opp add;  
11  }.  
12 Elpi hb.end.  
13 Elpi hb.structure AbelianGroup Monoid.axioms AbelianGroup_of_Monoid.axioms.  
14  
15 Elpi hb.mixin Ring_of_AbelianGroup A AbelianGroup.axioms.  
16 Record axioms := {  
17   one : A;  
18   mul : A -> A -> A;  
19   mulrA : associative mul;  
20   mulr1 : left_id one mul;           mulr1 : right_id one mul;  
21   mulrDl : left_distributive mul add; mulrDr : right_distributive mul add;  
22  }.  
23 Elpi hb.end.  
24 Elpi hb.structure Ring AbelianGroup.axioms Ring_of_AbelianGroup.axioms.  
25  
26 Lemma addrN {R : AbelianGroup.type} : right_inverse zero opp add.  
27 Proof. by move=>x; rewrite addrC addrNr. Qed.
```

115 Some operations and properties were moved from the old mixin for rings into a newborn
116 mixin `AbelianGroup_of_Monoid` that gathers the axioms needed to turn a monoid into an
117 Abelian group. Consequently the mixin for rings is now called `Ring_of_AbelianGroup` (instead
118 of `Ring_of_Monoid`) since it expects the type `A` to be already an Abelian group and hence
119 gathers fewer axioms.

120 While operations moved from one structure to another, some properties undergo a deep
121 change in their status. The lemma `addrC` part of the abstract theory of rings is now an axiom
122 of Abelian groups, while `addrN` is no more an axiom of rings, but rather a theorem of the
123 abstract theory of Abelian groups.

124 With this new version of the hierarchy, that we name `V2`, code written for version `V1`
125 breaks. For example the declaration of the canonical ring over the integers fails, if only
126 because we do not have a `Ring_of_Monoid.Axioms` abbreviation anymore.

127 Our objective is to obtain a version of the hierarchy, that we name `V3`, that does not
128 only feature Abelian groups but that is also backward compatible with `V1`.

129 **2.2 The missing puzzle piece**

■ **Figure 1** The evolution of the hierarchy. V3 is backward compatible with V1, while V2 is not.

130 The key to make a hierarchy evolve without breaking user code is the full fledged notion
 131 of *factory* (the mixins seen so far are degenerate, trivial, factories). Factories, like mixins,
 132 are packages for operations and properties but are not directly used in the definition of
 133 structures. Instead a factory is equipped with *builders*: user provided pieces of code that
 134 extract from the factory the contents of mixins, so that existing abbreviations can be used.

135 As depicted in figure 1 we change again the hierarchy by declaring a `Ring_of_Monoid` factory,
 136 that, from the user point of view, will look indistinguishable from the old `Ring_of_Monoid`
 137 mixin and hence grant backward compatibility between version V3 and version V1.

```

1 Elpi hb.factory Ring_of_Monoid A Monoid.axioms.
2   Record axioms := { ... (* unchanged, see page 2 line 13 *) ... }.
3
4   Variable f : axioms.
5
6   Lemma addrC : commutative add. Proof. (* The same proof as before *) Qed.
7
8   Definition to_AbelianGroup_of_Monoid :=
9     AbelianGroup_of_Monoid.Axioms A (opp f) addrC (addNr f). (* addrN unused *)
10  Elpi hb.instance A to_AbelianGroup_of_Monoid.
11
12  Definition to_Ring_of_AbelianGroup :=
13    Ring_of_AbelianGroup.Axioms A (one f) (mul f)
14    (mulrA f) (mulr1 f) (mulrD1 f) (mulrDr f).
15  Elpi hb.instance A to_Ring_of_AbelianGroup.
16
17  Elpi hb.end.

```

138 The record `Ring_of_Monoid.axioms` is the same we declared as a mixin in version V1.
 139 In order to make a factory out of it we equip it with two definitions that embody the
 140 *builders*. The first is `to_AbelianGroup_of_Monoid` and explains how to build an `AbelianGroup`
 141 structure out of the factory `axioms` (named `f`, line 4). This construction is also registered
 142 as canonical for `A`, so that the next construction `to_Ring_of_AbelianGroup` can call the
 143 `Ring_of_AbelianGroup.Axioms` abbreviation that requires `A` to be an `AbelianGroup`. It is worth
 144 pointing out that the proof of `addrC` we had in V1 is now required in order to write the
 145 builder for Abelian groups, while the `addrN` field is not used (the same statement is already
 146 part of the theory of Abelian groups, see line 26 of the previous code snippet).

147 Thanks to this factory we can now declare `Z` to be an instance of a ring using the
 148 `Ring_of_Monoid.Axioms` abbreviation. The associated builders generate, behind the scenes,

149 instances of the `Ring_of_AbelianGroup.axioms` and `AbelianGroup_of_Monoid.axioms` mixins
 150 that in turn are used to build instances of the `AbelianGroup` and `Ring` structures. Indeed,
 151 when used in the context of the hierarchy version V3, the command `Elpi hb.instance`
 152 `Z Z_Ring_axioms` makes `Z` an instance of *both* structures, and not just the `Ring` one as in
 153 version V1. Thanks to that the proof of `example` can use the theory of both structures, for
 154 example `addrC` holds on Abelian groups, `addrA` holds on monoids, while `addr1` holds on rings.
 155 As a result the very same proof works on both version V1 and V3.

156 Last, it is worth pointing out that the new factory makes the following two lines equivalent
 157 (the former declares rings in V1) since they both describe the same set of mixins.

```
1 Elpi hb.structure Ring Monoid.axioms Ring_of_Monoid.axioms.
2 Elpi hb.structure Ring AbelianGroup.axioms Ring_of_AbelianGroup.axioms.
```

158 This is another example of client code that would not break: the client of the hierarchy
 159 is allowed to declare new structures on top of existing ones.

160 2.3 \mathcal{HB} in a nutshell

161 By using \mathcal{HB} the hierarchy designer has the following freedoms and advantages.

- 162 ■ Operations and properties (axioms) are made available to the user as soon as they are
 163 used in a structure. The hierarchy designer is free to move them from one to another and
 164 replace an axiom by a lemma and vice versa.
- 165 ■ Structures cannot disappear but the way they are built may change. The hierarchy
 166 designer is free to split structures into smaller ones in order to better factor and reuse
 167 parts of the hierarchy and the library that follows it.
- 168 ■ Mixins cannot disappear but can change considerably in their implementation. A mixin
 169 can become a full fledged factory equipped with builders to ensure retro compatibility.
- 170 ■ \mathcal{HB} high level commands compile to the discipline of Packed Classes (Coq modules, records,
 171 coercions, implicit arguments, canonical structure instances, notations, abbreviations).
 172 This process lifts a considerable burden from the shoulders of the hierarchy designer and
 173 the final user who are no longer required to master the details of Packed Classes.

174 3 \mathcal{HB} language

175 The Coq terms handled by \mathcal{HB} are subdivided in five categories, the mixins \mathcal{M} , the factor-
 176 ies \mathcal{F} , builders \mathcal{B} , the classes \mathcal{C} and the structures \mathcal{S} . Mixins, factories and instances are
 177 tagged by the user, through the commands `Elpi hb.mixin`, `Elpi hb.factory` and `Elpi`
 178 `hb.instance`, and the user may rely on their implementation. However structures and classes
 179 are generated with the command `Elpi hb.structure` and builders are generated when using
 180 `Elpi hb.instance` while declaring a factory, and the user may only refer to structure types,
 181 but should never rely on their implementation, neither should they rely on explicit builders.

182 3.1 \mathcal{HB} mixins, factories and instances

183 ► **Definition 1** (\mathcal{M} , mixins). *A mixin $m \in \mathcal{M}$ is a Coq record with one or more parameters.*
 184 *The first parameter must be a $(T : \text{Type})$, while the other parameters are mixins applied to T*
 185 *and possibly n other distinct mixins. I.e.*

```
1 Record m (T : Type)  $\overline{(p : m T p_\sigma)^n}$  : Type := { .. }.
```

186 where $\overline{(p : m \ T \ p_\sigma)}^n = \overline{(p_i : m_i \ T \ p_{\sigma(i,1)} \ \dots \ p_{\sigma(i,n_i)})}_{i \in \{1, \dots, n\}}$. For all $i \in \{1, \dots, n\}$ we
 187 have $m_i \in \mathcal{M}$ and its arguments consist in n_i of the previously quantified mixin parameters
 188 p_k , i.e. for all $k \in \{1, \dots, n_i\}$, we have $\sigma(i, k) \in \{1, \dots, i-1\}$.

189 ► **Definition 2** (*dep*, mixin dependencies). Given $m \in \mathcal{M}$, we define $\text{dep}(m) \in \wp(\mathcal{M})$ as the
 190 set of all mixins that occur as parameters of m , i.e. $\text{dep}(m) = \{m_1, \dots, m_n\}$.

191 ► **Remark 3.** For all $i \in \{1, \dots, n\}$, we have $\text{dep}(m_i) = \{m_{\sigma(i,1)}, \dots, m_{\sigma(i,m_i)}\}$.

192 ► **Definition 4.** If $f : \mathcal{X} \rightarrow \wp(\mathcal{Y})$, then $f^* : \wp(\mathcal{X}) \rightarrow \wp(\mathcal{Y})$ is defined as $f^*(X) = \bigcup_{x \in X} f(x)$.

193 ► **Proposition 5.** *dep* is transitively closed since records are well typed in the empty context
 194 and describes a DAG since Coq does not admit circular definitions: $\text{dep}^*(\text{dep}^*(M)) \subseteq$
 195 $\text{dep}^*(M)$

196 ► **Definition 6** (factories \mathcal{F} , builders \mathcal{B} and from). A builder $\mu \in \mathcal{B}$ is any function which para-
 197 meters are the carrier type ($T : \mathbf{Type}$), an arbitrary number of distinct mixins $\{m_1, \dots, m_n\}$
 198 and an additional argument f , which we call a factory, and which depends on the mixins. Its
 199 return type is a mixin $m_{n+1} \in \mathcal{M}$ i.e.

1 **Definition** $f (T : \mathbf{Type}) \overline{(p : m \ T \ p_\sigma)}^n : \mathbf{Type} := \dots$

2 **Definition** $\mu (T : \mathbf{Type}) \overline{(p : m \ T \ p_\sigma)}^n : f \ T \ p_1 \ \dots \ p_n \ \rightarrow m_{n+1} \ T \ p_{\sigma(n+1,1)} \ \dots \ p_{\sigma(n+1,n_i)} := \dots$

200 We define $\text{from}(f, m_{n+1}) = \mu$ to be the (unique) builder for m_{n+1} from the factory f .

201 ► **Definition 7** (*provides*, *requires*). We define the following functions

202 ■ $\text{requires}(f) = \{m_1, \dots, m_n\} \in \wp(\mathcal{M})$ is the set of mixins a factory $f \in \mathcal{F}$ depends on. As
 203 a consequence all the builders of a given factory have the same set of dependencies.

204 ■ $\text{provides}(f) = \{m \mid \text{from}(f, m) \text{ is defined}\} \in \wp(\mathcal{M})$ the set of mixins that a factory $f \in \mathcal{F}$
 205 provides, through its builders.

206 Moreover the following properties hold for all $f \in \mathcal{F}$:

207 1. $\text{dep}^*(\text{requires}(f)) \subseteq \text{requires}(f)$

208 2. $\text{requires}(f) \cap \text{provides}(f) = \emptyset$

209 3. $\forall m \in \text{provides}(f)$, $\text{from}(f, m)$ is defined

210 Mixins are declared by the user as the fundamental building blocks of a hierarchy. As
 211 the next proposition shows they shall not be distinguished from regular factories, since they
 212 are a special cases.

213 ► **Proposition 8** ($\mathcal{M} \subseteq \mathcal{F}$). For all $m \in \mathcal{M}$ we have $\text{requires}(m) = \text{dep}(m)$, $\text{provides}(m) =$
 214 $\{m\}$ and $\text{from}(m, m) = \left(\mathbf{fun} \ T \ \overline{(p : m \ T \ p_\sigma)}^n \ (x : m \ T \ p_1 \ \dots \ p_n) \ \Rightarrow x \right) \in \mathcal{B}$.

215 ► **Coq command** `to declare a new mixin:`

1 `Elpi hb.mixin M T f1 ... fn. Record axioms := { .. }. Elpi hb.end.`

216 Creates a module M with a record $M.\text{axioms}$, which depends on the mixins $\text{requires}(M.\text{axioms}) =$
 217 $\text{provides}^*(\{f_1, \dots, f_n\})$, and registers this new record both as a mixin and a factory. It also
 218 creates a abbreviation $M.\text{Axioms}$.

219 ► **Coq command** `to declare an instance: Elpi hb.instance X b1 ... bk`, synthesizes terms
 220 corresponding to all the mixins that can be built from the b_i . Indeed if $b_i : f_i \ T \ \dots$, then this
 221 command creates elements of type $\text{provides}^*(\{f_1, \dots, f_k\})$. This command also generates
 222 unification hints as described in Section 4.

223 ► **Coq command** to declare a new factory and generate new builders:

```

1 Elpi hb.factory M T f1 ... fn.
2   Record axioms := { .. }.
3   Variable (a : axioms _).
4
5   Definition bn+1 : fn+1 T .. := ...
6   Elpi hb.instance T bn+1.
7   ..
8   Definition bn+k : fn+k T .. := ...
9   Elpi hb.instance T bn+k.
10  Elpi hb.end.

```

224 Creates a module M with a record $M.$ axioms, which depends on the mixins $requires(M.$ axioms) =
225 $provides^*(\{f_1, \dots, f_n\})$ and registers this new record as a factory. We then use the fact-
226 ory instances b_{n+1}, \dots, b_{n+k} provided by the user and derive builders from them, so that
227 $provides(M.$ axioms) = $provides^*(\{f_{n+1}, \dots, f_{n+k}\})$.

228 It is thus necessary that $requires^*(\{f_{n+1}, \dots, f_{n+k}\}) \subseteq provides^*(\{f_1, \dots, f_n\})$.

229 Note that the b_i are not builders since their return types are not necessarily mixins, but
230 could be a factory. However, since all factories provide mixin through builders, we can obtain
231 builders out of each b_i by function composition.

232 3.2 \mathcal{HB} classes and structures

233 ► **Definition 9** (\mathcal{C} , class). A class $c \in \mathcal{C}$ is a Coq record with one parameter ($T : \mathbf{Type}$). The
234 type of each field is a mixin in \mathcal{M} applied to T and, if needed, any number of other fields:

```

1 Record c (T : Type) := { p1 : m1 T; .. ; pi : mi T pσ(i,1) ... pσ(i,ni); .. }.

```

235 ► **Definition 10** (*def*, class definition). We call $def(c) \in \mathcal{P}(\mathcal{M})$ the set of mixins mentioned
236 in the fields of the class, i.e. $\{m_1, \dots, m_n\}$. Given that class records are well typed in the
237 empty context the set of mixin records is closed transitively. The implementation enforces
238 that no two class records contains the same set of mixins (disregarding the order of the fields),
239 i.e. *def* is injective.

240 ► **Programming invariant for *def*** For all $f \in \mathcal{F}$:

- 241 1. $\exists c \in \mathcal{C}$, $def(c) = requires^*(f) \cup provides^*(f)$,
- 242 2. $\exists C \subseteq \mathcal{C}$, $def^*(C) = requires^*(f)$.

243 Classes could also be seen as factories.

244 ► **Proposition 11** ($\mathcal{C} \subseteq \mathcal{F}$). for all $m \in def(c)$ we have $from(c, m_i) = p_i$, and it follows that
245 $requires(c) = \emptyset$, $provides(c) = def(c)$.

246 However since classes are generated, their implementation may change, thus users should
247 not rely on constructors of classes. Hence the only way users may refer to a class is as an
248 argument of `Elpi hb.mixin`, `Elpi hb.factory` or `Elpi hb.structure`.

249 ► **Definition 12** (\mathcal{S} Structure). A structure $s \in \mathcal{S}$ is a dependent pair: a Coq record where
250 the value of the first field occurs in the type of the second. The first field is (*sort* : \mathbf{Type})
251 and the second field is (*class* : c *sort*) for some $c \in \mathcal{C}$. As a consequence structures are in
252 bijection with classes.

253 ► **Coq command** to declare a class and structure: `Elpi hb.structure M f1 ... fn` crafts a
254 class $M.$ class_of $\in \mathcal{C}$ where $def(c) = provides^*(\{f_1, \dots, f_n\})$ and the corresponding structure
255 $M.$ type $\in \mathcal{S}$, together with unification hints as described in Section 4.

256 ► **Definition 13** ($\leq \in \mathcal{C} \times \mathcal{C}$, subclass). $c_1 \leq c_2$ iff $def(c_2) \subseteq def(c_1)$

3.3 Automatic inference of mixins

257

258 Since mixins may change but factories stay the same, \mathcal{HB} commands must never rely on a
 259 particular set of mixins as arguments, and factory arguments must never be given explicitly
 260 by the user. As described in Sections 3.1 and 3.2, \mathcal{HB} commands take a list of factories as
 261 arguments, which they expand into lists of mixins behind the scene. However factory types
 262 and constructors have mixin arguments that must be inferred automatically when used. To
 263 this end, the commands `Elpi hb.mixin` and `Elpi hb.factory` generate abbreviations for
 264 the user to replace uses of constructors of factories. These commands first create a record
 265 f_{aux} with a constructor F_{aux} and then create abbreviations f and F that automatically
 266 fill the mixin arguments of f_{aux} and F_{aux} respectively. See [17, Section 7] for a detailed
 267 description of how to implement these abbreviations in Coq.

```

1 Record  $f_{aux}$  T  $(p : m\ T\ p\sigma)^n := F_{aux}\ \{\ \dots\ \}$ .
2 Notation  $f$  T := ( $f_{aux}$  T ... (*  $p_1 \dots p_n$  inferred when T is known *)).
3 Notation  $F$  T  $x_1 \dots x_k := (F_{aux}$  T ... (*  $p_1 \dots p_n$  inferred when T is known *)  $x_1 \dots x_k$ ).
4 Definition  $b$  :  $f$  T :=  $F$  T  $x_1 \dots x_n$ 

```

4 The target language: Coq with Packed, flat, Classes

268

269 The language of packed classes were introduced in [13] and used directly to describe the
 270 algebraic hierarchy of the Mathematical Components library. It is based on a disciplined use
 271 of records and projections and on the possibility of extending the elaborator of Coq via the
 272 declaration of Canonical Structures instances. In this section we describe the *flat* variant of
 273 Packed Classes, the target language of \mathcal{HB} .

4.1 Describing structures with records and projections

274

275 We describe mathematical structures with three kinds of dependent records: mixins, classes,
 276 and structures. As shown in section 2, a mixin gathers operators and axioms newly introduced
 277 by a structure. As in [13, section 2.4][26, section 2], a class record is parametrized by the
 278 carrier type ($T : \mathbf{Type}$) and gathers all the operators and axioms of a structure by assembling
 279 mixins, and a **Structure** type (a record) bundles a carrier and its class instance, as follows.

```

1 Module Monoid.
2 Record  $axioms$  (T : Type) : Type :=
3   Class {  $Monoid\_of\_Type\_mixin$  :  $Monoid\_of\_Type.axioms$  T; }.
4 Structure  $type$  : Type := Pack {  $sort$  : Type;  $class$  :  $axioms$   $sort$ ; }.
5 End Monoid.

```

280 The `Monoid` module plays the role of a name space and forces us to write qualified names such
 281 as `Monoid.type`; as a consequence we can reuse the same unqualified names for other structures,
 282 i.e., class and structure record can always be named as `axioms` and `type` respectively.

283 Mixins and classes are internal definitions to structures; in contrast, `Monoid.type` is part
 284 of the interface of the monoid structure. As seen in section 2, we declare `Monoid.sort` as
 285 an implicit coercion and lift monoid operators and axioms from projections for the monoid
 286 mixin to definitions and lemmas for `Monoid.type` as follows.

```

1 Coercion  $Monoid.sort$  :  $Monoid.type$  >->  $Sortclass$ .
2
3 Definition  $zero$  {T :  $Monoid.type$ } : T :=
4    $Monoid\_of\_Type.zero$  T ( $Monoid.Monoid\_of\_Type\_mixin$  T ( $Monoid.class$  T)).
5 Definition  $add$  {T :  $Monoid.type$ } : T -> T -> T :=
6    $Monoid\_of\_Type.add$  T ( $Monoid.Monoid\_of\_Type\_mixin$  T ( $Monoid.class$  T)).
7 Lemma  $addrA$  {T :  $Monoid.type$ } :  $associative$  (@ $add$  T).
8 (* Two monoid axioms `addOr` and `addr0` are omitted. *)

```

23:10 Hierarchy Builder

Next we define Abelian groups. Since the monoid structure is the bottom of this hierarchy its class record `Monoid.axioms` consists just one mixin. In contrast the class record of Abelian groups consists of two mixins where the second one depends on the former (since Abelian groups inherit from monoids).

```

1 Module AbelianGroup.
2 Record axioms (T : Type) : Type := Class {
3   Monoid_of_Type_mixin : Monoid_of_Type.axioms T;
4   AbelianGroup_of_Monoid_mixin : AbelianGroup_of_Monoid.axioms T Monoid_of_Type_mixin; }.
5 Structure type : Type := Pack { sort : Type; class : axioms sort }.
6 End AbelianGroup.

```

As in the monoid structure, we declare `AbelianGroup.sort` as an implicit coercion and lift additive inverse `opp` and Abelian group axioms. Since Abelian groups inherit from monoids, we also declare an implicit coercion from Abelian groups to monoids. A coercion between structures can be defined in two steps: first a coercion between the class record of the superclass to the class record of the subclass (line 2); and a coercion between structure records (line 4) relying on the first one.

```

1 Coercion AbelianGroup.sort : AbelianGroup.type >> Sortclass.
2 Coercion AbelianGroup_class_to_Monoid_class (T : Type) (c : AbelianGroup.axioms T) :
3   Monoid.axioms T := Monoid.Class T (AbelianGroup.Monoid_of_Type_mixin T c).
4 Coercion AbelianGroup_to_Monoid (T : AbelianGroup.type) : Monoid.type :=
5   Monoid.Pack (AbelianGroup.sort T) (AbelianGroup.class T).
6
7 Definition opp {T : AbelianGroup.type} : T -> T := ... .
8 (* Two Abelian group axioms `addrC` and `addNr` are omitted. *)

```

Generally, a coercion from a structure A to another structure B can (and should) have the following form, thanks to the corresponding coercion between classes `A_class_to_B_class`.

```

1 Coercion A_to_B (T : A.type) : B.type :=
2   B.Pack (A.sort T) ((* A_class_to_B_class _ *) (A.class T)).

```

4.2 Multiple inheritance

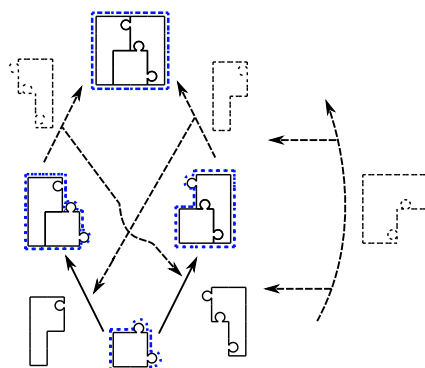
In order to introduce multiple inheritance, we extend the hierarchy described in section 2.2 with the structure of semirings as depicted in figure 2. Semirings introduce the binary multiplication operator `mul` and its identity element `one`.

```

1 Elpi hb.mixin SemiRing_of_Monoid A Monoid.axioms.
2 Record axioms := {
3   one : A;
4   mul : A -> A -> A;
5   (* 7 axioms are omitted. *)
6 }.
7 Elpi hb.end.
8
9 Elpi hb.factory Ring_of_AbelianGroup A
10 AbelianGroup.axioms.
11 Record axioms := {
12   (* 2 operators and 5 axioms are omitted. *)
13 }.
14 ..
15 Elpi hb.end.

```

Since semirings and Abelian groups do not inherit from each other, the definition of semirings and Abelian groups are quite similar:



■ **Figure 2** V4 introduces multiple inheritance. For brevity we omit the factories/builders for the upper arrows.

```

1 Module SemiRing.
2 Record axioms (T : Type) : Type := Class {
3   Monoid_of_Type_mixin : Monoid_of_Type.axioms T;
4   SemiRing_of_Monoid_mixin : SemiRing_of_Monoid.axioms T Monoid_of_Type_mixin; }.
5 Structure type : Type := Pack { sort : Type; class : axioms sort; }.
6 End SemiRing.

```

307 We define implicit coercions from the semiring structure to the carrier and the monoid
308 structure, and we lift semiring operators and axioms as follows:

```

1 Coercion SemiRing.sort : SemiRing.type >-> Sortclass.
2 Coercion SemiRing_to_Monoid : SemiRing.type >-> Monoid.type.
3
4 Definition one {T : SemiRing.type} : T := ... .
5 Definition mul {T : SemiRing.type} : T -> T -> T := ... .
6 (* 7 semiring axioms are omitted. *)

```

309 The class record is defined by gathering the monoid, Abelian group, and semiring mixins.
310 Since the rings inherit from monoids, semirings, and Abelian groups, we define implicit
311 coercions from the ring structure to those three structures.

```

1 Module Ring.
2 Record axioms (T : Type) : Type := Class {
3   Monoid_of_Type_mixin : Monoid_of_Type.axioms T;
4   SemiRing_of_Monoid_mixin : SemiRing_of_Monoid.axioms T Monoid_of_Type_mixin;
5   AbelianGroup_of_Monoid_mixin : AbelianGroup_of_Monoid.axioms T Monoid_of_Type_mixin; }.
6 Structure type : Type := Pack { sort : Type; class : axioms sort; }.
7 End Ring.
8
9 Coercion Ring.sort : Ring.type >-> Sortclass.
10 Coercion Ring_to_Monoid : Ring.type >-> Monoid.type.
11 Coercion Ring_to_SemiRing : Ring.type >-> SemiRing.type.
12 Coercion Ring_to_AbelianGroup : Ring.type >-> AbelianGroup.type.

```

312 4.3 Linking structures and instances via Canonical Structures

313 The mechanism of Canonical Structures [17, 25] lets the user extend the elaborator of Coq.
314 This software component takes in input a term as written by the user and has to infer all
315 the missing piece of information that is necessary in order to make the term well typed.

316 A first example of elaboration that requires canonical structures is $0 + 1$. After removing
317 all syntactic facilities, the underlying Coq term is `(add _ (zero _)) (one _)` where `_` stands
318 for an implicit piece of information to be inferred and the constants `add` and `zero` come from
319 the monoid structure while `one` comes from semirings. When the term is type checked each `_`
320 is replaced by a unification variable written `?v`. Respectively, the head and the argument of
321 the top application can be typed as follows:

```

1   add ?M (zero ?M) : Monoid.sort ?M -> Monoid.sort ?M
2   one ?SR : SemiRing.sort ?SR

```

322 where `?M : Monoid.type` and `?SR : SemiRing.type`. In order to type check the applica-
323 tion Coq has to unify `Monoid.sort ?M` with `SemiRing.sort ?SR`, which is not trivial: it
324 amounts at finding a structure that is both a monoid and a semiring, possibly the smal-
325 lest one [26, Sect. 4]. This piece of information can be inferred from the hierarchy and
326 its inheritance relation (Definition 13) and we can tell Coq to exploit it by declaring
327 `SemiRing_to_Monoid : SemiRing.type -> Monoid.type` as canonical. With that hint Coq will
328 pick `?M` to be `SemiRing_to_Monoid ?SR` as the canonical solution for this unification problem.
329 In general, all the coercions between structures must be declared as canonical.

330 Another relevant example of elaboration problem is -1 , which hides the term `(opp _) (one _)`.
331 Here `opp` and `one` are respectively from Abelian groups and semirings, which do not inherit

23:12 Hierarchy Builder

each other but whose smallest common substructure is rings; thus we have to extend the unifier to solve a unification problem `AbelianGroup.sort ?AbG = SemiRing.sort ?SR` by instantiating `?AbG` and `?SR` with `Ring_to_AbelianGroup ?R` and `Ring_to_SemiRing ?R` respectively where `?R` is a fresh unification variable of type `Ring.type`. This hint can be given as follows:

```
1 Canonical AbelianGroup_to_SemiRing (T : Ring.type) :=
2   SemiRing.Pack (AbelianGroup.sort (Ring_to_AbelianGroup T)) (Ring.class T).
```

Similarly, one can apply an algebraic theory to an instance (an example) of that structure, e.g., 2×3 where 2 and 3 have type \mathbb{Z} . The same mechanism of canonical structures let us extend the unifier to solve `SemiRing.type ? = \mathbb{Z}` .

5 The implementation in Coq-Elpi

The implementation is based on the Elpi extension language for Coq. In this section we introduce the features of the programming language that came in handy in the development of *HB* and comment a few code snippets.

Coq-Elpi [28] is a Coq plugin embedding Elpi and providing an extensive, high level, API to access and script the Coq system at the vernacular level. This API lives in the `coq` namespace and lets one easily declare records, coercions, canonical structures, modules, implicit arguments, etc. The most basic Coq data type exposed to Elpi is the one of references to global declarations:

```
1 kind gref type.           % The data type of references to global terms
2 type indt inductive -> gref. % eg: Coq.Init.Datatypes.nat
3 type indc constructor -> gref. % eg: Coq.Init.Datatypes.O
4 type const constant -> gref. % eg: Coq.Init.Peano.plus
```

The arguments of the three constructors are opaque to Elpi, that can only use values of these types via dedicated APIs. For example the API for declaring an inductive type will generate a value of type `inductive` that is printed as, for example, `<nat>`.

Elpi [11] is a dialect of λ Prolog [19], an higher order logic programming language that makes it easy to manipulate abstract syntax tree with binders. Coq-Elpi takes full advantage of this capability by representing Coq terms in Higher Order Abstract Syntax [20] style, reusing the binder of the programming language in order to represent Coq's ones. Here is an excerpt of the data type of Coq terms:

```
1 kind term type.           % The data type of Coq terms
2 type global gref -> term. % eg: nat, 0, S, plus, ...
3 type fun term -> (term -> term) -> term. % eg: fun x : t => b(x)
4 type app list term -> term. % eg: app [hd|args]
5 ... % all other term constructors are omitted for brevity
```

Note that the `fun` constructor holds a λ Prolog function. In this syntax the Coq term `(fun x : nat => x x)` becomes `(fun (global (indt <nat>)) x\ app[x, x])` where `x\` binds `x` in the body of the function. Substitution of a bound variable for a term can be computed by applying a term (of function type) to an argument.

Data types with binders are also used as input to high level APIs that build terms behind the scenes. For example a Coq record is just an inductive type and the API to declare one must allow the type of a field to depend on the fields that comes before it. Note that the `field` constructor takes a coercion flag, the name of the field, its type and binds a term in the remaining record declaration.

```

1 kind indt-decl type.           % The type of an inductive type declaration
2 type record      string -> term -> string -> record-decl -> indt-decl.
3 type field      bool -> string -> term -> (term -> record-decl) -> record-decl.
4 type end-record record-decl.
5 ... % constructors for non-record inductive types are omitted for brevity
6
7 external pred coq.env.add-indt i:indt-decl, o:inductive.
8 external pred coq.CS.canonical-projections i:inductive, o:list (option constant).

```

365 The `pred` keyword documents types and modes (input or output) of the arguments of
 366 a predicate, while `external` signals that the predicate is a builtin (in other words it is
 367 implemented in OCaml rather than λ Prolog).

368 We comment these two builtin predicates and the `indt-decl` type while looking at the
 369 code of `declare-structure` that is in charge of scripting the following Coq code:

```

1 Structure type : Type := Pack { sort : Type; class : axioms sort }.

```

370 The following Elpi code builds the declaration, type checks it, adds it to the Coq
 371 environment and finally returns the projections for the sort and the class fields.

```

1 pred declare-structure i:ref, o:term, o:term, o:term.
2
3 declare-structure ClassName Structure SortProjection ClassProjection :- std.do! [
4   StructureDeclaration =
5     record "type" {{ Type }} "Pack" (
6       field tt "sort" {{ Type }} s\
7       field ff "class" (app [global ClassName, s]) _\
8     end-record),
9   coq.typecheck-indt-decl StructureDeclaration,
10  coq.env.add-indt StructureDeclaration StructureName,
11  coq.CS.canonical-projections StructureName [some SortP, some ClassP],
12  Structure = global (indt StructureName),
13  SortProjection = global (const SortP),
14  ClassProjection = global (const ClassP),
15 ].

```

372 Note that the binder `s\` at line 6 lets one mention the first field in the type of the second.
 373 The syntax `{{ Type }}` is a quotation: it lets one use the syntax of Coq to write an Elpi
 374 expression of type `term`. The API `coq.CS.canonical-projections` lets us find the projections
 375 automatically generated by Coq for a given record. The last detail worth mentioning is that
 376 this program makes no use of backtracking: the `std.do!` combinator signals that.

377 In the simple case of the structure record, the number of fields, and hence the number of
 378 binders, is fixed. On the contrary the class record has one field per mixin and each of them
 379 can depend on the previous ones. In order to synthesize terms with binders in an inductive
 380 fashion (using a recursive predicate) λ Prolog lets one postulate fresh nominal constants using
 381 the `pi` operator and attach to the nominal some knowledge in the form of a clause via the `=>`
 382 operator. This process is called binder mobility: the binder is moved from the data (that we
 383 are building) to the program (the context of the current computation). This feature is key
 384 to the following code that synthesizes the declaration of the fields of the class record.

```

1 pred synthesize-fields.field-for-mixin i:mixinname, o:term.
2 pred synthesize-fields i:list mixinname, i:term, o:record-decl.
3
4 synthesize-fields [] _ Decl :- Decl = end-record.
5 synthesize-fields [M|ML] T Decl :- std.do! [
6   get-mixin-modname M ModName, Name is ModName ^ "_mixin",
7   dep1 M Deps,
8   std.map Deps synthesize-fields.field-for-mixin Args,
9   Type = app[ global M, T | Args ],

```

23:14 Hierarchy Builder

```
10 Decl = (field ff Name Type f\ Fields f),
11   pi m\
12     synthesize-fields.field-for-mixin M m =>
13     synthesize-fields ML T (Fields m)
14 ]).
```

385 The first predicate `synthesize-fields.field-for-mixin` is used to link a mixin to a
386 nominal that corresponds to the record field for that mixin. It has no clauses in the base
387 program but some clauses are added dynamically by `synthesize-fields`.

388 The second predicate proceeds by recursion on the (topologically sorted) list of mixins,
389 and terminates when the list is empty. If the list contains a mixin `M` then it crafts a `Name` for
390 it (line 6), fetches its dependencies (line 7) and finds the (previously declared) record fields
391 holding these mixins (line 8). The `(std.map L1 P L2)` predicate relates the two lists `L1` and
392 `L2` point wise using the predicate `P`.

393 Line 9 builds the type of the field: the mixin name applied to the type (sort) and all its
394 dependencies. Note that the `Fields` variable, representing the declaration of the next fields,
395 is under the binder for `f` (the current field). In order to make the recursive call under that
396 binder (line 13) and recursively process `ML` we postulate a nominal `m` (line 11) that is a term
397 satisfying any future dependency on the current mixin (line 12) and we replace `f` by `m` in
398 `Fields` by writing `(Fields m)`.

399 **6** Related work

400 The most closely related work is the one about Packed Classes [13] on which we build. The
401 main differences are that `HB` is a higher level language that is compiled down to (flat)
402 Packed Classes. The systematic use of factories makes the user interface of a hierarchy stable
403 under the insertion of structures, a property that Packed Classes lacks. Finally many of the
404 intricacies of Packed Classes are hidden to the user by the compilation step, in particular
405 creating all the necessary coercions and canonical structure declarations, especially in the case
406 of diamonds or when merging several libraries, which used to cause the need for *a posteriori*
407 validation of a hierarchy design [26]. It also opens the way to automatically detect and solve
408 problems tied to non judgmental commutative diagrams when forgetting structure [1].

409 In [7] Carette and O'Connor describe the language of Theory Presentation Combinators
410 that can be used to describe a hierarchy of algebraic structures. They focus on the categorical
411 semantics of the language that is built upon the category of context. They do not describe
412 any actual compilation to the language of a mainstream interactive prover, indeed they claim
413 their language to be mostly type theory independent. We know they considered targeting
414 type theory and the language of unification hints [4] (a super set of the one of Canonical
415 Structures), but we could not find any written trace of that. Language wise they provides
416 keywords such as `combine` and `over` to share (reuse) a property when defining a new structure.
417 For example in order to avoid restating the commutativity property when defining Abelian
418 groups they combine a commutative monoid and a group forcing the subjacent monoid
419 to coincide: `CommutativeGroup := combine CommutativeMonoid , Group over Monoid`.
420 In our language `HB` the same role is played by *mixins*. A mixin lets one write once and for
421 all a property and abstract it over types and operations so that it can be reused in all the
422 structures that need it. One operation `HB` allows for but that does not seem to be possible
423 in the setting of Presentation Combinators is the one of replacing an axioms with a lemma
424 and vice versa. As shown in subsection 2.1 `HB` supports that.

425 The MMT system [22] provides a framework to describe formal languages in a logical
426 framework, providing good support for binders and notations. It also provides an expressive

427 module system to organize theories and express relations among them in the form of functors.
428 At the time of writing it provides limited support for elaborating user input taking systematic
429 advantage of the contents of the theories. The elaborator can be extended by the user writing
430 Scala code, and in principle use the contents of the libraries to make sense of an incomplete
431 expressions, but no higher level language or mechanism is provided.

432 The library of the Mizar system features a hierarchy of algebraic structures [15]. In spite
433 of lacking dependent types, Mizar provides the concept of attributed types and adjectives
434 that can be used to describe the signature of structures as one would do with a dependently
435 typed record and their properties as one would define a conjunctive predicate. The Mizar
436 language also provides the notion of cluster that is used to link structures: by showing that
437 property P implies property Q one can inform automation that structures characterized by
438 P are instances of structures characterized by Q . The foundational theory of Mizar features
439 an extensional notion of equality that makes it easy to share the signature or the properties
440 of structures by just requiring a proof of their equivalence that is in turn used by automation
441 to treat equivalent structures as equal.

442 The concepts of factory and builder presented here is akin to the `AbstractFactory` and
443 `Builder` pattern from "the Gang Of Four" design patterns [12] in the sense that factories are
444 used to build an arbitrary number of objects (here mixin instances).

445 **7 Conclusion**

446 In this paper we design and implement \mathcal{HB} , a high level language to describe hierarchies of
447 algebraic structures. The implementation of \mathcal{HB} is based on the Elpi extension language for
448 the Coq system and is available at <https://github.com/math-comp/hierarchy-builder>.
449 The implementation amounts to approximately a thousand lines of (commented) Elpi code
450 and tree hundred lines of Coq vernacular. It took less than one month to implement \mathcal{HB}
451 while it took several years of attempts and fruitful discussions with the other developers of
452 the Mathematical Components library to design it, as well as Coq users and developers and
453 members of Dagstuhl seminar 18341. In particular, discussions with Georges Gonthier, Assia
454 Mahboubi and Florent Hivert were instrumental in coining the concepts formalized here.

455 The \mathcal{HB} language is only loosely tied to Coq or even Type Theory. We believe it could
456 be adopted with no major change to other tools. Indeed the properties and invariants that
457 link factories, mixins and classes are key to rule out meaningless or ambiguous sentences
458 and are not specific to our logic setting. Moreover most logics feature packing construction
459 similar to records.

460 The compilation scheme we present in section 4 is tied to dependent records, that are
461 available in Coq but also in other provers based on Type Theory such a Matita [3] and
462 Lean [10]. We chose the flat variant of Packed Classes as the target for \mathcal{HB} because the
463 Mathematical Components library uses Packed Classes as well: As of today Packed Classes
464 offer the best compromise between flexibility and performance [17, Section 8] in Coq. Of
465 course one could imagine a future were other approaches such as telescopes [21] or unbundled
466 classes [27] would offer equal or better performances in Coq, or in another system. It is a
467 virtue of our work to provide a user language that is separate from the implementation one.
468 We believe it would take a minor coding effort to retarget \mathcal{HB} to another bundling approach.

469 We leave to future work extending \mathcal{HB} to support structures parametrized by structures
470 such as the one of module over a ring. We also leave to future work the automatic synthesis
471 of the notion of morphism between structures of the hierarchy.

472 — References

- 473 1 Reynald Affeldt, Cyril Cohen, Marie Kerjean, Assia Mahboubi, Damien Rouhling, and
474 Kazuhiko Sakaguchi. Formalizing functional analysis structures in dependent type theory.
475 working paper or preprint, January 2020. URL: <https://hal.inria.fr/hal-02463336>.
- 476 2 Reynald Affeldt, David Nowak, and Takafumi Saikawa. A hierarchy of monadic effects for
477 program verification using equational reasoning. In *Mathematics of Program Construction -*
478 *13th International Conference, MPC 2019, Porto, Portugal, October 7-9, 2019, Proceedings*,
479 pages 226–254, 2019. URL: https://doi.org/10.1007/978-3-030-33636-3_9, doi:10.1007/
480 978-3-030-33636-3_9.
- 481 3 Andrea Asperti, Wilmer Ricciotti, Claudio Sacerdoti Coen, and Enrico Tassi. The mat-
482 ita interactive theorem prover. In *Automated Deduction - CADE-23 - 23rd Interna-*
483 *tional Conference on Automated Deduction, Wroclaw, Poland, July 31 - August 5, 2011.*
484 *Proceedings*, pages 64–69, 2011. URL: https://doi.org/10.1007/978-3-642-22438-6_7,
485 doi:10.1007/978-3-642-22438-6_7.
- 486 4 Andrea Asperti, Wilmer Ricciotti, Claudio Sacerdoti Coen, and Enrico Tassi. Hints in
487 unification. In Stefan Berghofer, Tobias Nipkow, Christian Urban, and Makarius Wenzel,
488 editors, *Theorem Proving in Higher Order Logics*, pages 84–98, Berlin, Heidelberg, 2009.
489 Springer Berlin Heidelberg.
- 490 5 Gerhard Betsch. On the beginnings and development of near-ring theory. In *Near-rings and*
491 *near-fields. Proceedings of the conference held in Fredericton, New Brunswick, July 18-24,*
492 *1993*, pages 1–11. Mathematics and its Applications, 336. Kluwer Academic Publishers Group,
493 Dordrecht, 1995.
- 494 6 Sylvie Boldo, Catherine Lelay, and Guillaume Melquiond. Coquelicot: A user-friendly library
495 of real analysis for Coq. *Mathematics in Computer Science*, 9(1):41–62, 2015. URL: <https://doi.org/10.1007/s11786-014-0181-1>, doi:10.1007/s11786-014-0181-1.
- 497 7 Jacques Carette and Russell O’Connor. Theory presentation combinators. In Johan Jeuring,
498 John A. Campbell, Jacques Carette, Gabriel Dos Reis, Petr Sojka, Makarius Wenzel, and
499 Volker Sorge, editors, *Intelligent Computer Mathematics*, pages 202–215, Berlin, Heidelberg,
500 2012. Springer Berlin Heidelberg.
- 501 8 Cyril Cohen. *Formalized algebraic numbers: construction and first-order theory*. PhD
502 thesis, Ecole Polytechnique X, 2012. URL: <https://pastel.archives-ouvertes.fr/pastel-00780446>.
- 504 9 The Coq Development Team. *The Coq Proof Assistant Reference Manual, version 8.11*,
505 October 2020. URL: <http://coq.inria.fr>.
- 506 10 Leonardo Mendonça de Moura, Soonho Kong, Jeremy Avigad, Floris van Doorn, and Jakob von
507 Raumer. The lean theorem prover (system description). In *Automated Deduction - CADE-25*
508 *- 25th International Conference on Automated Deduction, Berlin, Germany, August 1-7, 2015,*
509 *Proceedings*, pages 378–388, 2015. URL: https://doi.org/10.1007/978-3-319-21401-6_26,
510 doi:10.1007/978-3-319-21401-6_26.
- 511 11 Cvetan Dunchev, Ferruccio Guidi, Claudio Sacerdoti Coen, and Enrico Tassi. ELPI: fast,
512 embeddable, λ Prolog interpreter. In *Logic for Programming, Artificial Intelligence, and*
513 *Reasoning - 20th International Conference, LPAR-20 2015, Suva, Fiji, November 24-28, 2015,*
514 *Proceedings*, pages 460–468, 2015. URL: https://doi.org/10.1007/978-3-662-48899-7_32,
515 doi:10.1007/978-3-662-48899-7_32.
- 516 12 Erich Gamma. *Design patterns: elements of reusable object-oriented software*. Pearson
517 Education India, 1995.
- 518 13 François Garillot, Georges Gonthier, Assia Mahboubi, and Laurence Rideau. Packaging
519 mathematical structures. In *Theorem Proving in Higher Order Logics, 22nd International*
520 *Conference, TPHOLs 2009, Munich, Germany, August 17-20, 2009. Proceedings*, pages
521 327–342, 2009. URL: https://doi.org/10.1007/978-3-642-03359-9_23, doi:10.1007/
522 978-3-642-03359-9_23.

- 523 **14** Georges Gonthier, Andrea Asperti, Jeremy Avigad, Yves Bertot, Cyril Cohen, François Garillot,
524 Stéphane Le Roux, Assia Mahboubi, Russell O'Connor, Sidi Ould Biha, Ioana Pasca, Laurence
525 Rideau, Alexey Solovyev, Enrico Tassi, and Laurent Théry. A machine-checked proof of the
526 odd order theorem. In *Interactive Theorem Proving - 4th International Conference, ITP*
527 *2013, Rennes, France, July 22-26, 2013. Proceedings*, pages 163–179, 2013. URL: https://doi.org/10.1007/978-3-642-39634-2_14, doi:10.1007/978-3-642-39634-2_14.
- 529 **15** Adam Grabowski, Artur Kornilowicz, and Christoph Schwarzweiler. On algebraic hierarchies
530 in mathematical repository of Mizar. In *2016 Federated Conference on Computer Science and*
531 *Information Systems (FedCSIS)*, pages 363–371, Sep. 2016.
- 532 **16** Johannes Hölzl, Fabian Immler, and Brian Huffman. Type classes and filters for math-
533 ematical analysis in Isabelle/HOL. In *Interactive Theorem Proving - 4th International*
534 *Conference, ITP 2013, Rennes, France, July 22-26, 2013. Proceedings*, pages 279–294.
535 Springer, 2013. URL: https://doi.org/10.1007/978-3-642-39634-2_21, doi:10.1007/
536 978-3-642-39634-2_21.
- 537 **17** Assia Mahboubi and Enrico Tassi. Canonical structures for the working coq user. In *Interactive*
538 *Theorem Proving - 4th International Conference, ITP 2013, Rennes, France, July 22-26, 2013.*
539 *Proceedings*, pages 19–34, 2013. URL: https://doi.org/10.1007/978-3-642-39634-2_5,
540 doi:10.1007/978-3-642-39634-2_5.
- 541 **18** The mathlib Community. The Lean mathematical library. In *Proceedings of the 9th ACM*
542 *SIGPLAN International Conference on Certified Programs and Proofs, CPP 2020*, pages
543 367–381, New York, NY, USA, 2020. Association for Computing Machinery. URL: <https://doi.org/10.1145/3372885.3373824>, doi:10.1145/3372885.3373824.
- 545 **19** Dale Miller and Gopalan Nadathur. *Programming with Higher-Order Logic*. Cambridge
546 University Press, New York, NY, USA, 1st edition, 2012.
- 547 **20** Frank Pfenning and Conal Elliott. Higher-order abstract syntax. In *Proceedings of the ACM*
548 *SIGPLAN 1988 Conference on Programming Language Design and Implementation, PLDI*
549 *'88*, page 199–208, New York, NY, USA, 1988. Association for Computing Machinery. URL:
550 <https://doi.org/10.1145/53990.54010>, doi:10.1145/53990.54010.
- 551 **21** Robert Pollack. Dependently typed records in type theory. *Formal Aspects of Computing*,
552 13:386–402, 2002. doi:10.1007/s001650200018.
- 553 **22** Florian Rabe and Michael Kohlhase. A scalable module system. *Information and Com-*
554 *putation*, 230:1–54, 2013. URL: [http://www.sciencedirect.com/science/article/pii/](http://www.sciencedirect.com/science/article/pii/S0890540113000631)
555 [S0890540113000631](http://www.sciencedirect.com/science/article/pii/S0890540113000631), doi:<https://doi.org/10.1016/j.ic.2013.06.001>.
- 556 **23** Damien Rouhling. *Formalisation Tools for Classical Analysis – A Case Study in Control Theory*.
557 PhD thesis, Université Côte d’Azur, 2019. URL: <https://hal.inria.fr/tel-02333396>.
- 558 **24** Amokrane Saïbi. Typing algorithm in type theory with inheritance. In *24th ACM SIGPLAN-*
559 *SIGACT Symposium on Principles of Programming Languages (POPL 1997), Paris, France,*
560 *15–17 January 1997*, pages 292–301. ACM, 1997.
- 561 **25** Amokrane Saïbi. *Outils Génériques de Modélisation et de Démonstration pour la Formalisation*
562 *des Mathématiques en Théorie des Types. Application à la Théorie des Catégories. (Formal-*
563 *ization of Mathematics in Type Theory. Generic tools of Modelisation and Demonstration.*
564 *Application to Category Theory)*. PhD thesis, Pierre and Marie Curie University, Paris, France,
565 1999. URL: <https://tel.archives-ouvertes.fr/tel-00523810>.
- 566 **26** Kazuhiko Sakaguchi. Validating mathematical structures, 2020. [arXiv:2002.00620](https://arxiv.org/abs/2002.00620).
- 567 **27** Bas Spitters and Eelis van der Weegen. Type classes for mathematics in type theory. *Mathemat-*
568 *ical Structures in Computer Science*, 21(4):795–825, 2011. doi:10.1017/S0960129511000119.
- 569 **28** Enrico Tassi. Coq-Elpi, Coq plugin embedding Elpi. <https://github.com/LPCIC/coq-elpi>,
570 2020.

571 **A** Coq reference

```

1 Section OperationProperties.
2 Variable T : Type.
3 Variable e : T.
4 Variable inv : T -> T.
5 Variable op : T -> T -> T.
6 Variable add : T -> T -> T.
7
8 Definition left_id := forall x, op e x = x.
9 Definition right_id := forall x, op x e = x.
10
11 Definition left_inverse := forall x, op (inv x) x = e.
12
13 Definition commutative := forall x y, op x y = op y x.
14 Definition associative := forall x y z, op x (op y z) = op (op x y) z.
15
16 Definition left_distributive := forall x y z, op (add x y) z = add (op x z) (op y z).
17 Definition right_distributive := forall x y z, op x (add y z) = add (op x y) (op x z).

```

572 **B** Proof of addrC

```

1 Lemma addrC {R : Ring.type} : commutative (@add R).
2 Proof.
3 have innerC (a b : R) : (a + b) + (a + b) = (a + a) + (b + b).
4   by rewrite -[a+b]mul1r -mulrD1 mulrDr !mulrD1 !mul1r.
5 have addKl (a b c : R) : a + b = a + c -> b = c.
6   apply: can_inj (add a) (add (-a)) _ _ _ .
7   by move=> x; rewrite addrA addNr addOr.
8 have addKr (a b c : R) : b + a = c + a -> b = c.
9   apply: can_inj (add ^~ a) (add ^~ (-a)) _ _ _ .
10  by move=> x; rewrite /= -addrA addrN addrO.
11 move=> x y; apply: addKl (x) _ _ _; apply: addKr (y) _ _ _ .
12 by rewrite -!addrA [in RHS]addrA innerC !addrA.
13 Qed.

```