



HAL
open science

Harmony Search for Self-configuration of Fault-Tolerant and Intelligent Grids

Jerzy Balicki, Waldemar Korlub, Jacek Paluszak, Maciej Tyszka

► **To cite this version:**

Jerzy Balicki, Waldemar Korlub, Jacek Paluszak, Maciej Tyszka. Harmony Search for Self-configuration of Fault-Tolerant and Intelligent Grids. 15th IFIP International Conference on Computer Information Systems and Industrial Management (CISIM), Sep 2016, Vilnius, Lithuania. pp.566-576, 10.1007/978-3-319-45378-1_50 . hal-01637464

HAL Id: hal-01637464

<https://inria.hal.science/hal-01637464>

Submitted on 17 Nov 2017

HAL is a multi-disciplinary open access archive for the deposit and dissemination of scientific research documents, whether they are published or not. The documents may come from teaching and research institutions in France or abroad, or from public or private research centers.

L'archive ouverte pluridisciplinaire **HAL**, est destinée au dépôt et à la diffusion de documents scientifiques de niveau recherche, publiés ou non, émanant des établissements d'enseignement et de recherche français ou étrangers, des laboratoires publics ou privés.



Distributed under a Creative Commons Attribution 4.0 International License

Harmony search for self-configuration of fault-tolerant and intelligent grids

J. Balicki¹, W. Korłub², J. Paluszak², M. Tyszka²

¹Faculty of Mathematics and Information Science, Warsaw University of Technology,
Koszykowa St. 75, 00-662 Warsaw, Poland

²Faculty of Telecommunications, Electronics and Informatics, Gdańsk University of Technology,
Narutowicza St. 11/12, 80-233 Gdańsk, Poland,
balicki@eti.pg.gda.pl, waldemar.korlub@pg.gda.pl, jpaluszak@gmail.com,
tyszka.maciej@gmail.com

Abstract. In this paper, harmony search algorithms have been proposed to self-configuration of intelligent grids for big data processing. Self-configuration of computer grids lies in the fact that new computer nodes are automatically configured by software agents and then integrated into the grid. A base node works due to several configuration parameters that define some aspects of data communications and energy power consumption. We propose some optimization agents that are based on harmony search to find a suboptimal configuration of fault-tolerant grids processing big data. Criteria such as probability that all tasks meet their deadlines and also a reliability of grid are considered. Finally, some experimental results have been considered.

1 Introduction

An intelligent grid is supposed to manage its resources to meet the task requirements on the way to achieving the common objective. Self-configuration of computer grids lies in the fact that new computer nodes are automatically configured by software agents and then integrated into the grid. The whole process of self-configuration is similar to the "plug-and-play" rule for some operating systems. However, configuring agents launch connectivity and download some configuration parameters. If a new computer node is added to the middleware layer and powered on, it is instantly identified and registered by configuration agents.

A base node works due to several configuration parameters that define some aspects of data communications and energy power consumption. These parameters can be improved to change grid behavior, based on some administrator observations. Another way is to delegate this competences to optimization agents they find the most adjusted configuration to the workload and resource using. One of the most commonly used criterion of grid behavior is its reliability that should be maximized. The main dilemma is the fact that this problem is NP-hard and it is impossible to find an optimal configuration for hundreds of nodes.

In the presented model, we propose some optimization agents that are based on harmony search to find a suboptimal configuration of fault-tolerant grids processing big data. A fault-tolerant grid deals with failures of its nodes and software where each node has some duplicated servers associated with its [38]. One node is the primary, and some associated nodes are dedicated for backup [18]. Tasks are performed by primary and backup servers, concurrently. Another model of grid is based on assumption that there are no fault-tolerant nodes. A grid node cooperates with other nodes as backups. In case of a node failing, all tasks allocated to this server are re-allocated to one of its backups. Some algorithms of resource using take into account the failure/repair rates and the fault-tolerant overheads. These algorithms can improve the grid performance meaningfully, but the quality of configuration and delay for its founding are still under construction [20, 42].

In this paper, an outlook of harmony search metaheuristics is discussed in Section 2. Moreover, specific aspects for big data are presented in Section 3. Especially, *Map-Reduce* model for BD processing is studied in Section 4. Then, intelligent agents based on harmony search for improvement of fault-tolerant measure are described in Section 5. Moreover, some outcomes from numerical experiments are interpreted in Section 6.

2 Outlook of Harmony Search Metaheuristics

Harmony search can be applied for self-configuration support of some fault-tolerant grids. Harmony search metaheuristics HS models phenomena related to the process of playing on musical instruments [41]. An optimization process can be compared to a process of selection the best sound while improvising jazz musicians. Similarly, a conductor of orchestra searches the best harmony of several instruments or a composer creates the best melody for different music lanes [1]. The HM concept was suggested by Zong Woo Geem [15, 45]. Figure 1 shows a diagram of the basic version of the HS metaheuristics [2].

The HS algorithm determines a solution for one-criterion optimization problem with continuous decision variables that can be formulated, as follows [4]:

$$\min_{x \in X} f(x), \quad (1)$$

where:

$f(x)$ – a value of an objective function f for solution $x \in X$, $f: \mathbf{R}^{J_{max}} \rightarrow \mathbf{R}$;

x – a vector of decision variables, $x = [x_1, \dots, x_j, \dots, x_{J_{max}}]^T$ for $l_j \leq x_j \leq u_j$, $j = \overline{1, J_{max}}$;

J_{max} – a number of decision variables;

X – a set of decision variables.

The lower limit vector is $l = [l_1, \dots, l_j, \dots, l_{J_{max}}]^T$ and the upper limit vector is $u = [u_1, \dots, u_j, \dots, u_{J_{max}}]^T$, wherein $l_j \in \mathbf{R}$, $u_j \in \mathbf{R}$, $l_j \leq u_j$ for $j = \overline{1, J_{max}}$. An initialization the harmonic memory HM (Fig. 1) occurs after setting the following parameters:

- *HMS* - *Harmony Memory Size*;
- *HMCR* - *Harmony Memory Considering Rate* is the probability of a random event that the value of the decision variable during improvisation (constructing a solution) is drawn from the memory *HM*; an uniform distribution is assumed to draw;
- *PAR* - *Pitch Adjusting Rate* is the rate of the randomly selected decision variable;
- *NGmax* - *Number of Generations (Improvisations)*;
- *BW* - *Bandwidth of Generations* that is the width of the interval to modify the value of the decision variable that is randomly selected from memory; the new value of the decision variable is modified by adding the value from the range $[-BW, BW]$.

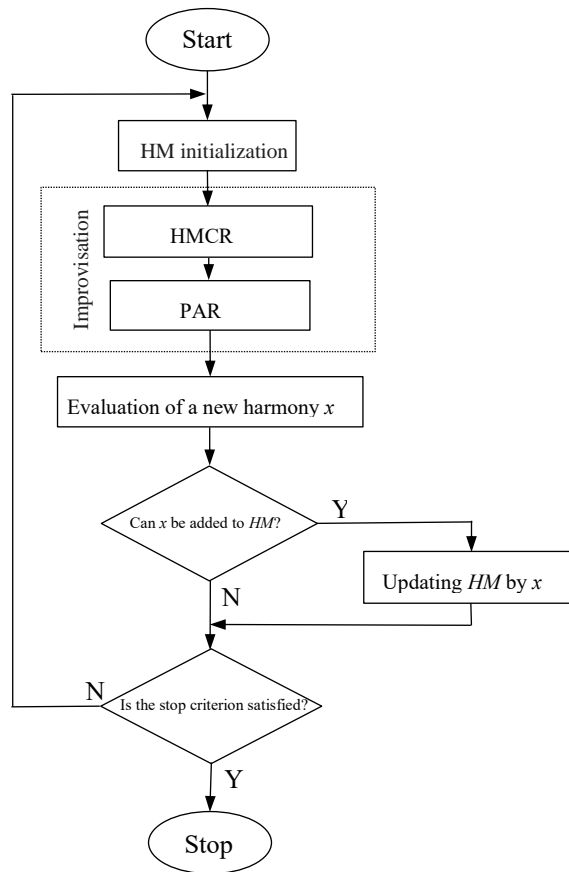


Fig. 1. A diagram of the harmony search algorithm [29]

In memory *HM*, there are stored *HMS* randomly generated solutions with J_{\max} coordinates and the corresponding fitness function values $fitness(x)$. If restrictions are imposed on the solution, its efficiency is reduced by the appropriate punishment in

case of violation of restrictions. The efficiency of each solution can be increased by an amount such that the accepted value of non-negative. The basic version of the harmony search algorithm has been repeatedly modified to adjust to solve some optimization problems [22].

3 Intelligent Agent Architecture for Big Data

Big data (an acronym BD) is related to databases with petabyte capacities 10^{15} B. 10 terabytes is a large capacity for a financial transaction system, but it is too small to test a web search engine. BD is uncooperative to work with using some relational database management systems like DB2, INGRES, Oracle, Sybase or SQL Server. Big data requires hundred thousand processors for data processing like supercomputers [36], grids [11] or clouds [8]. Especially, cloud architectures are preferred to BD processing because of commercial data centers with expensive information.

Tasks developed SQL-like queries to BD are massive parallel because the short time of a query performing is required. For instance, a query for multi-terabyte datasets at *BigQuery* service in *Google Cloud* is performed during few seconds. *BigQuery* service is scalable cloud like *IaaS Infrastructure as a Service*. Furthermore, this *RESTful* web service enables interactive analysis cooperating with *Google Storage* [16]. The most important tasks are related to analytics, capture, search, sharing, storage, and visualizing. Moreover, some BD mining tasks can be used to find predictions as well as some descriptive statistics tasks can be developed for business intelligence [23].

BD can be characterized by the 4Vs model due to high *volume*, extraordinary *velocity*, great data *variety*, and *veracity*. Data can be captured via Internet of Things from different sensors like smartphones, tablets, microphones, cameras, computers, radars, satellites, radio-telescopes and the other sensors. Moreover, data can be captured from social networks. A storage capacity can achieve many petabytes for one volume that is *high volume* [26]. *MongoDB* is one of perspective solutions for BD because the *NoSQL* database supports data stored to different nodes. Mongo DB can cooperate with massively parallel cluster with lots of CPUs, GPUs, RAM units and disks [27]. A crucial problem with BD is related to reading from a storage system to obtain the rapid answer on a complex query that is divided on some parallel operations acting on diverse data. Big data can be spread over some partitions that run on some separate nodes with own table spaces, logs, and configurations. In that case, a query is performed on all partitions concurrently [35, 44].

In an experimental grid called *Comcute*, two kinds of intelligent tasks have been considered to implement a middleware layer [13]. This grid is dedicated to parallel computing with using volunteer computing. Agents for data management send data from source databases to distribution agents. Then, distribution agents cooperate with web computers to calculate results and return them to management agents. Both types of agents can autonomously move from one host to another to improve quality of grid resource using. Moreover, the other agents based on harmony search have been introduced to optimize big data processing regarding some fault-tolerant aspects. These

harmony search schedulers can cooperate with distributors and managers to give them information about optimal workload in a grid [9, 10].

The lambda architecture is developed for real-time BD analysis [26]. The batch layer of this architecture supports offline data processing by *MapReduce* framework [39]. This layer produces batch views of data, which can be exposed to external applications (Fig. 2). The serving layer offers prepared views to clients. The speed layer is responsible for real-time processing of data streams. It analyses data that was not yet processed by the batch layer. Speed layer produces real-time views that can be coupled with batch views to create complete representation of the extracted knowledge [19].

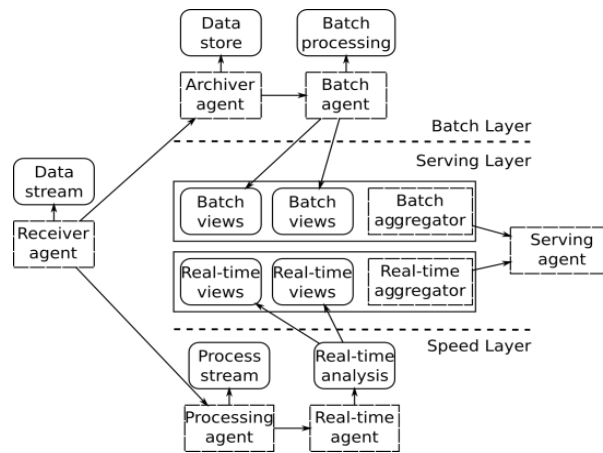


Fig. 2. Multi-agent real-time processing utilizing lambda architecture [37]

The lambda architecture can be defined in terms of a heterogeneous multiagent system [37]. An implementation requires integration of a few components: one for batch processing, another one for serving views, a different solution for real-time stream analysis and a component that merges real-time views with batch views [43].

The use of multiagent environment will provide a common way for information exchange between different component and a common execution model [40]. The differences between individual components of the lambda architecture lead to inherently heterogeneous realizations so the ability to handle diversity in agent systems in another motivation for this approach [22].

4 Map-Reduce Model for Fault-Tolerant Grid

Grid and volunteer computing systems are different from super-computing systems because inexpensive hardware commodities have been widely deployed, which is helpful to the scalability. But it also brings a large number of hardware failures. Moreover, many machines constantly restart to update systems, which cause huge software failures [14]. Similarly, the popular cloud computing model *MapReduce* also has to overcome the failures [5, 7].

When a job consists of thousands tasks, the possibility of a few failed tasks is very high. Several fault-tolerant applications can be executed in the platform, which can use the result despite of some failed tasks. To support such fault-tolerant computing, an open source implementation of *MapReduce* can be applied. *Hadoop* has already provided the interface, by which the job can tolerate a given percentage of failed tasks. It was observed that optimizing the availability of individual task is not an effective approach for ensuring the high availability of these multi-task jobs [30].

However, *Hadoop* implicitly assume the nodes are homogeneous, but it doesn't hold in practice. These motivate to propose an optimal multi-task allocation scheme towards heterogeneous environments, which can tolerate a given percentage of failures to total tasks [28]. In this case the *reduce* function's responsibility is to sum the each *key's values* [34].

MapReduce is applied to solve several problems like large-scale machine learning for the *Google News*. Moreover, an extraction of data is used to produce reports of popular queries and extraction of geographical locations from a large corpus of web pages for localized search. In 2004, *Google* changed an indexing system that produces data used for web search service to system that used *MapReduce*. The new indexing system takes input documents that have been retrieved from a crawling system store as a set of files, and then they are processed by from five to ten *MapReduce* operations. It is easier to operate because of automatic resolving problems like machine failures, slow machines and networking hiccups [17, 25].

5 Harmony Search Agents for Local Grid Self-configuration

Intelligent agents can optimize a grid resource management for tasks related to big data queries. An agent based on harmony search metaheuristics AHS can reconfigure a local part of a grid. The whole grid is divided on zones and the AHS is assigned to its grid zone to support self-optimization of a system. The main part of AHS is a multi-objective scheduler for tasks from a middleware layer. This scheduler optimizes a probability that all tasks meet their deadlines, and the grid reliability [12]. We assume that each computer and each link between them are assumed to fail independently with exponential rates. It is preferred to allocate modules to computers on which failures are least likely to occur during the execution of task modules [3]. The rationale assumption is that repair and recovery times are largely implementation-dependent. Moreover, repair and recovery routines usually introduce too high time overheads to be used on-line for time-critical applications [6].

The overhead performing time of the task T_v by the computer $\pi_j \in \Pi = \{\pi_1, \dots, \pi_j, \dots, \pi_J\}$ is represented by t_{vj} . Let the computer π_j be failed independently due to an exponential distribution with rate λ_j . Computers can be allocated to nodes and also tasks can be assigned to them in purpose to maximize the reliability function R , as below [21]:

$$R(x) = \prod_{v=1}^V \prod_{i=1}^I \prod_{j=1}^J \exp(-\lambda_j t_{vj} x_{vi}^m x_{ij}^\pi), \quad (1)$$

where

$$x_{ij}^{\pi} = \begin{cases} 1 & \text{if } \pi_j \text{ is assigned to the } w_i, \\ 0 & \text{in the other case.} \end{cases}$$

$$x_{vi}^m = \begin{cases} 1 & \text{if task } T_v \text{ is assigned to } w_i, \\ 0 & \text{in the other case,} \end{cases}$$

$$(x^m, x^{\pi}) = [x_{11}^m, \dots, x_{1I}^m, \dots, x_{v1}^m, \dots, x_{vI}^m, x_{11}^{\pi}, \dots, x_{1J}^{\pi}, \dots, x_{ij}^{\pi}, \dots, x_{I1}^{\pi}, \dots, x_{Ij}^{\pi}, \dots, x_{IJ}^{\pi}]^T.$$

Figure 3 shows the relation between the measure of system reliability R and time of using this system for the chosen two-computer system for $\lambda_1=0.001$ [TU⁻¹] and $\lambda_2=0.002$ [TU⁻¹].

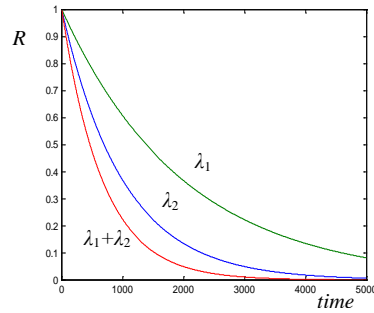


Fig. 3. The time-depended reliability of two-computer system

6 Task scheduling algorithm

Let the distributed application \mathcal{A}_n starts running after λ_n and complete it before δ_n [31]. Figure 4 shows an example of the task flow graph for two applications. Task m_2 is performed with the probability q in a sub-graph denoted as OR (Fig. 4) and task m_3 – with the probability $(1-q)$. Task may be performed at the most L_{\max} times in a sub-graph denoted as $Loop$, and each repetition of this module is performed with the probability p . The task flow graph is split on some instances to schedule tasks if the sub-graph OR appears. There are $2L_{\max}$ instances for the task graph from Figure 4. The instance, where task m_2 appears and task m_3 runs k times, occurs with the probability:

$$p_i = q(1-p)p^{k-1} \quad (2)$$

An allocation of modules to computers (x^m, x^{π}) creates possibility to schedule tasks for each computer. Times of task completions $(C_1, \dots, C_v, \dots, C_I)$ can be calculated for scheduled allocation modules to computers x . Let d_v represents the completion deadline for the v th task. If $C_v \leq d_v$, then the time constraint is satisfied what can be written as $\xi(d_v - C_v) = 1$. The state of deadline constraints regarding the i th instance of the flow graph with the set of tasks marked M_i is determined, as below [32]:

$$S_i = \prod_{m_v \in M_i} \xi(d_v - C_v(x)) \cdot \quad (3)$$

Probability that all tasks meet their deadlines for K instances of the flow graph is calculated, as follows [33]:

$$P_D(x) = \sum_{i=1}^K p_i \prod_{m_v \in M_i} \xi(d_v - C_v(x)) \cdot \quad (4)$$

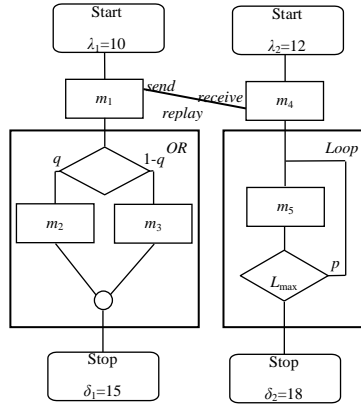


Fig. 4. A flow graph for two applications

Figure 5 shows an example of a compromise configuration for its middleware zone in the *Comcute* grid that was found by the agent based on the harmony search for its area consisted on 14 modules divided among 2 computers.

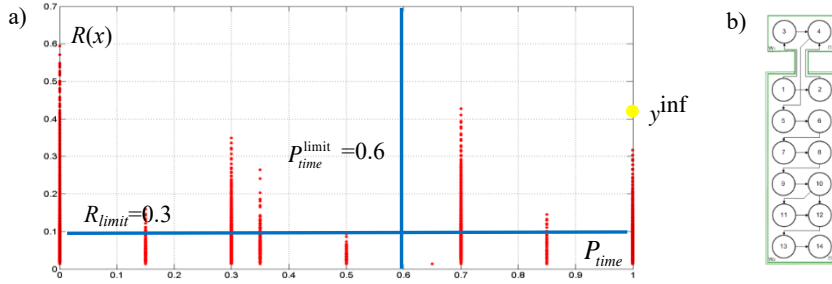


Fig. 5. A compromise configuration in the *Comcute* grid: a) criterion space b) a solution

7 Concluding Remarks and Future Work

Intelligent agents in the middleware of grid can significantly support efficiency of fault-tolerant self-configuration in grids. Agents based on harmony search can solve

NP-hard multi-objective optimization problem of grid resource using to improve the level of fault-tolerance.

Our future works will focus on testing the other AI algorithms to find fault-tolerant configurations. Moreover, quantum-inspired algorithm can support big data, too [7].

8 References

1. Afshari S, Aminshahidy B, Pishvaie MR (2011) *Application of an improved harmony search algorithm in well placement optimization using streamline simulation*. J. Petrol. Sci. Eng., 78:664–678
2. Ahmed AM, Bakar AA, Hamdan AR (2011) *Harmony search algorithm for optimal word size in symbolic time series representation*. Proc. Conf. on Data Mining and Optimization, Malaysia, pp. 57–62.
3. Ajith AP, Murthy CSR (1998) *Algorithms for reliability-oriented module allocation in distributed computing systems*. Journal of System Software, 40:125-138
4. Al-Betar MA, Khader AT, Zaman M (2012) *University course timetabling using a hybrid harmony search metaheuristic algorithm*. IEEE Trans. Syst. Man Cybern: Part C: Appl. Rev., 42:66–681
5. Apache Hadoop, <http://hadoop.apache.org/>, Accessed 15 March 2016
6. Balicki J (2006) *Negative selection with ranking procedure in tabu-based multi-criterion evolutionary algorithm for task assignment*. In: Alexandrov VN, VanAlbada GD; Sloot PMA, et al., Proc. the 6th Int. Conference on Computational Science, Reading, England, Lecture Notes in Computer Science, 3993:863-870
7. Balicki J (2009) *An Adaptive Quantum-based Multiobjective Evolutionary Algorithm for Efficient Task Assignment in Distributed Systems*. In: Mastorakis N. et al. (Eds.): Recent Advances in Computer Engineering. Proc. of the 13th WSEAS Int. Conf. on Computers, Rhodes, Greece, 417-422
8. Balicki J, Korlub W, Szymański J, Zakidalski M (2014) *Big data paradigm developed in volunteer grid system with genetic programming scheduler*. In: L. Rutkowski et al. (Eds.): Artificial Intelligence and Soft Computing. Lecture Notes in Computer Science, 8467, Proc. of the 13th Int. Conf. on Artificial Intelligence and Soft Computing ICAISC, Part II, Zakopane, Poland, June 1-5, 2014, 771-782
9. Balicki J, Kitowski Z (2001) *Multicriteria evolutionary algorithm with tabu search for task assignment*. In: Zitzler E, Deb K, Thiele L, et al., Proc. the 1st Int. Conference on Evolutionary Multi-Criterion Optimization, Zurich, Switzerland, Lecture Notes in Computer Science 1993: 373-384
10. Balicki J., Korlub W., Krawczyk H., et al. (2013): *Genetic programming with negative selection for volunteer computing system optimization*. In: Paja WA; Wilamowski BM: Proc. the 6th Int. Conference on Human System Interactions, Gdańsk, Poland, pp. 271-278
11. BOINC. <http://boinc.berkeley.edu/>. Accessed 15 March 2016
12. Cao L, Gorodetsky V, Mitkas PA (2009) *Agent Mining: The Synergy of Agents and Data Mining*. IEEE Intelligent Systems 24:64-72
13. Comcute. <http://comcute.eti.pg.gda.pl/>. Accessed 25 April 2016
14. Dean J, Ghemawat S (2008) MapReduce: Simplified Data Processing on Large Clusters. Communications of the ACM 51:1–13
15. Geem ZW, Kim JH, Loganathan GV (2001) *A new heuristic optimization algorithm: harmony search*. Simulation, 76:60–68
16. Gunarathne T. et al. (2010) Cloud computing paradigms for pleasingly parallel biomedical applications. Proc. Int. Symp. on High Performance Distributed Computing, Chicago, Illinois, pp. 460-469
17. Guojun L, Ming Z, Fei Y (2010) *Large-Scale Social Network Analysis Based on MapReduce*. Proc. Int. Conference on Computational Aspects of Social Networks, pp.487-490
18. Huang Z, Wang C, Liu L, Peng Y (2012) *Improve availability of fault-tolerant computing: Optimal multi-task allocation in MapReduce*. Proc. Int. Conf. on Computer Science&Education, 249-254
19. Jennings NR, Wooldridge M (1998) *Applications of intelligent agents*. In: Jennings NR, Wooldridge M: Intelligent agents, Springer-Verlag, New York, pp. 3-28
20. Kafil M. Ahmad I (1998) *Optimal Task Assignment in Heterogeneous Distributed Computing Systems*. IEEE Concurrency, 6:42-51
21. Kartik S, Murthy CSR (1997) *Task allocation algorithms for maximizing reliability of distributed computing systems*. IEEE Transactions on Computers, 46:719-724
22. Leyton-Brown K, Shoham Y (2008) *Multiagent Systems: Algorithmic, Game-Theoretic, and Logical Foundations*. Cambridge University Press

23. Li HX, Chosler R (2007) *Application of Multilayered Multi-Agent Data Mining Architecture to Bank Domain*. Proc. Int. Conf. on Wireless Communications, Networking and Mobile Comp., 6721-6724
24. Manjarres D. et al (2013) *A survey on applications of the harmony search algorithm*. Engineering Applications of Artificial Intelligence, 26:1818-1831
25. Mardani S, Akbari MK, Sharifian S (2014) Fraud detection in Process Aware Information systems using MapReduce. In: Proc. on *Information and Knowledge Technology*, pp.88-91
26. Marz N, Warren J (2014) Big data - Principles and best practices of scalable realtime data systems.
27. O'Leary DE (2013) Artificial Intelligence and Big Data. IEEE Intelligent Systems 28:96-99
28. Ostrowski DA (2014) MapReduce Design Patterns for Social Networking Analysis. In: Proc. Int. Conference on Semantic Computing, pp.316-319
29. Paluszak J (2015) Optimizing the use of resources in distributed systems with grid architecture. PhD Dissertation, Gdańsk University of Technology, Gdańsk 2015 (in Polish)
30. Qiu X et al. (2009) Using MapReduce Technologies in Bioinformatics and Medical Informatics. In: Proc. the Int. Conf. for High Performance Computing, Networking, Storage and Analysis, Portland
31. Sarvari H, Zamanifar K. (2010) *A self-adaptive harmony search algorithm for engineering and reliability problems*. Second Int. Conf. on Comp. Intelligence, Modelling and Simulation, pp. 59-64
32. Schneidewind N (2006) *Allocation and analysis of reliability: multiple levels: system, subsystem, and module*, Innovations in System and Software Engineering, Springer London, 2:121-136
33. Shatz SM, Wang JP (1989) Models & algorithms for reliability-oriented task-allocation in redundant distributed-computer systems. IEEE Transactions On Reliability, 38:16-27.
34. Shvachko K. et al. (2010) The Hadoop distributed file system. In: MSST, pp. 1-10
35. Snijders C, Matzat U, Reips U-D (2012) 'Big Data': Big gaps of knowledge in the field of Internet. International Journal of Internet Science 7:1-5
36. Shwe T, Win A (2008) A fault tolerant approach in cluster computing system. The 5th Int. Conf. on Electrical Engineering/Electronics, Computer, Telecom. and Information Technology, 1:149-152
37. Twardowski B, Ryzko D (2014) *Multi-agent Architecture for Real-Time Big Data Processing*. In: Proc. Int. Conference on Web Intelligence and Intelligent Agent Technologies, Vol.3, pp.333-337
38. Varvarigou T., Trotter J.: *Module replication for fault-tolerant real-time distributed systems*. IEEE Transaction on Reliability, Vol. 47, No. 1, 1998, pp. 8-18.
39. Vavilapalli VK (2013): *Apache hadoop yarn: Yet another resource negotiator*. In: Proc. of the 4th Annual Symposium on Cloud Computing, New York, USA: pp. 5:1-5:16
40. Verbrugge T, Dunin-Kępcicz B (2010) *Teamwork in Multi-Agent Systems*. A formal Approach. John Wiley & Sons
41. Wang L, Li LP (2012) *A coevolutionary differential evolution with harmony search for reliability-redundancy optimization*. Expert Syst. Appl., 39:5271-5278
42. Węglarz J, Błażewicz J, Kovalyov M (2006) *Preemptable malleable task scheduling problem*. IEEE Transactions on Computers 55:486-490
43. Wooldridge M (2002) *Introduction to MultiAgent Systems*. John Wiley & Sons
44. Zhou D et al. (2010) *Multi-Agent Distributed Data Mining Model Based on Algorithm Analysis and Task Prediction*. In: Proc. 2nd Int. Conf. on Information Engineering and Computer Science, pp.1-4
45. Zou D et al. (2010) *A novel global harmony search algorithm for reliability problems*. Comput. Ind. Eng., 58:307-316