



**HAL**  
open science

# Control Electronics Integration toward Endoscopic Capsule Robot Performing Legged Locomotion and Illumination

Oscar Alonso, Angel Diéguez

► **To cite this version:**

Oscar Alonso, Angel Diéguez. Control Electronics Integration toward Endoscopic Capsule Robot Performing Legged Locomotion and Illumination. 18th International Conference on Very Large Scale Integration (VLSISOC), Sep 2010, Madrid, Spain. pp.312-338, 10.1007/978-3-642-28566-0\_13 . hal-01515997

**HAL Id: hal-01515997**

**<https://inria.hal.science/hal-01515997>**

Submitted on 28 Apr 2017

**HAL** is a multi-disciplinary open access archive for the deposit and dissemination of scientific research documents, whether they are published or not. The documents may come from teaching and research institutions in France or abroad, or from public or private research centers.

L'archive ouverte pluridisciplinaire **HAL**, est destinée au dépôt et à la diffusion de documents scientifiques de niveau recherche, publiés ou non, émanant des établissements d'enseignement et de recherche français ou étrangers, des laboratoires publics ou privés.



Distributed under a Creative Commons Attribution 4.0 International License

# Control Electronics Integration toward Endoscopic Capsule Robot Performing Legged Locomotion and Illumination

Oscar Alonso<sup>1</sup>, Angel Diéguez<sup>1</sup>

<sup>1</sup> Electronics Department, Universitat de Barcelona, Martí i Franquès nº1, 08028 Barcelona, SPAIN  
oalonso@el.ub.es

**Abstract.** Miniaturization of sensors and actuators up to the point of active features in endoscopic capsules, such as locomotion or surgery, is a challenge. VECTOR endoscopic capsule has been designed to be the first endoscopic capsule with active locomotion. It is equipped with mini-legs driven by Brushless DC (BLDC) micro motors. In addition it can be also equipped with some other sensors and actuators, like a liquid lens, that permits to enable advanced functions. Those modules are managed by an Application Specific Integrated Circuit (ASIC) specifically designed for the VECTOR capsule. The ASIC is a complete System-On-Chip (SoC) and integrates all the electronics needed to enable the legged locomotion and the sensing and actuating functions of the capsule in a unique chip. The SoC also permits other functions for endoscopic capsules such as drug delivery and biopsy. The size of the SoC is 5.1 mm x 5.2 mm in a 0.35  $\mu$ m high voltage CMOS technology.

**Keywords:** Active capsular endoscopy, gastrointestinal exploration, Brushless motor, liquid lens, control ASIC, electronics.

## 1 Introduction

The gastro intestinal (GI) tract, like any other part of the human body may be affected by infections or diseases. Because of the length of the GI tract and its location inside the human body, the detection and diagnosis of these diseases is very complicated. The method used by doctors when analyzing the GI tract is endoscopy. Basically, the endoscopy consists in introducing, inside the GI tract, a thin tube with a video camera and light at the beginning. The basic function of this system is to show to doctors the GI tract without any need of surgery. The tube can be inserted both orally and rectally. Endoscopy in the digestive tract is named differently depending on the area under study and the applied techniques, the procedures most widely used are:

- Esofagogastruoduodenoscopy (EGD), which includes the study of the oesophagus, stomach and duodenum. This procedure is used to discover the reason for swallowing difficulties, nausea, vomiting, reflux, bleeding,

indigestion, abdominal pain, or chest pain. In particular, for this procedure the endoscope can be introduced through the nose or the mouth of the patients, who have been previously sedated in order to reduce the pain during the examination. In addition, the scope also blows air into the stomach in order to expand the folds of tissue and give the possibility of look through the folders.

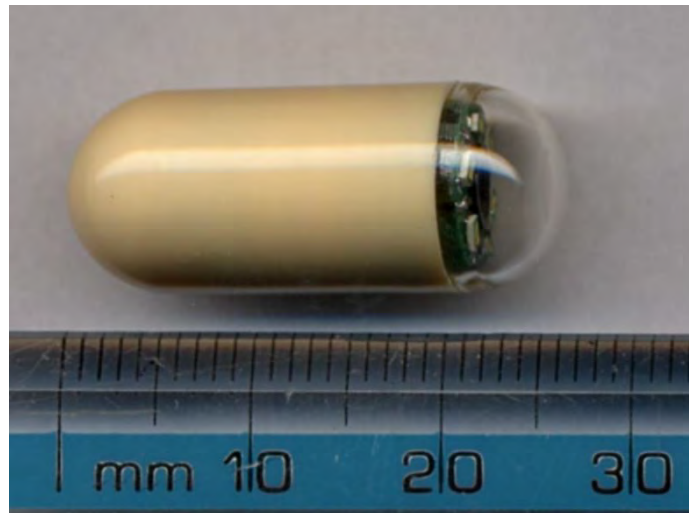
- Double Balloon Enteroscopy, which is used to study the small bowel. It is a newly developed endoscopic method which permits to explore the small bowel without any need of surgical intervention [1]. Using a simple push and pull method two balloons are used in this procedure to examine the small intestine in steps approximately 40 cm long. Double balloon endoscopy [2] is indicated in cases of unclear bleeding in the digestive tract, Chron's disease, unclear chronic diarrhoea, abdominal pain, intestinal polyposis, intestinal dysplasia and Celiac disease.
- Push Enteroscope, which is also used for the study of the small bowel. During this procedure, a long, narrow, flexible gastrointestinal endoscope, known as a push enteroscope, is advanced into the upper gastrointestinal tract to examine and evaluate the proximal section (first one third) of the small bowel [3]. This procedure is indicated when the doctors are not able to identify the cause of obscure bleeding or some other GI disorder.
- Colonoscopy, which is used to study the colon. The colonoscopy is the less invasive technique that uses a scope to examine the colon and the distal part of the small bowel. Colonoscopy has been available since the early 1970s and has become critical to the diagnosis and management of colorectal disorders [4]. Although colonoscopy is a safe procedure, complications can sometimes occur. These include perforation a puncture of the colon walls, which could require surgical repair. Sedation during the examination, post-procedural abdominal pain and irritable bowel syndrome are the main drawbacks. However, with this procedure biopsies can be taken of any abnormal areas at the same time as the screening or diagnostic test is being done. Any polyps found can be removed during this procedure [4-8].
- Flexible Sigmoidoscopy (FS), which is similar to the colonoscopy. However, this procedure only examines the region from the rectum to the colon (also known as sigmoid). This procedure is one of the screening modalities for colorectal cancer. From the point of view of screening, FS clearly cannot completely exclude the presence of colon cancer in all asymptomatic people. However, flexible sigmoidoscopy every 5 years with or without fecal occult blood test (FOBT) is one of the screening methods recommended by major professional organizations. It identifies 50 to 70% of the advanced neoplasms, if any discovery of a distal neoplasia is followed up with a total examination of the colon by colonoscopy [9-10].

Endoscopy allows us to examine the digestive tract. Nevertheless, it also has some disadvantages. For example, it is a painful treatment for the patient because requires the introduction of a tube inside the human body (the scope has a diameter of 7-8 mm, however the pain associated with the procedure is not caused by the insertion of the scope but from inflating of the colon in order to do the inspection). Furthermore, endoscopy can not access the entire GI tract. For example, doctors are only able to study a small part of the small intestine. Finally, endoscopy is not always effective, as the

conditions are so adverse in the GI tract (long extension, folds of tissue, poor lighting) that the doctor is not always able to detect diseases, requiring a second observation or some alternative method.

The need to improve the existing method and the fact that the number of people around the world that access to endoscopy is about 15 million [11] has led to the emergence of alternative methods like capsular endoscopy.

Capsular endoscopy is a minimally invasive procedure that permits to study the whole GI tract. Capsular endoscopy consists in a small capsule with the shape of a pill, which contains some electronic elements needed to perform the same task as the traditional endoscopy. In standard devices such electronic elements are basically a tiny camera, some LEDs for the illumination of the GI tract, a radiofrequency (RF) system needed to transmit the acquired images to the doctors and a battery (needed to supply the capsule)[12-13]. Figure 1 shows a picture of a capsular endoscope.



**Fig. 1.** Picture of a capsular endoscope.

The significant development in medical diagnostics and imaging has brought up a lot of new capsular endoscope products coming to the health care market. The capsular endoscopes have been able to minimize patient discomfort and pain during digestive tract screening with less risk of infection and harmless to body organs. This kind of medical procedure is less invasive and gives a great impact compared to the traditional method. As it occurs with classical endoscopes, capsular endoscopy also has some disadvantages. For example, being a portable device, the quality of the images and the frame rate is usually not the same as in traditional endoscopy. In addition, there is the possibility that the capsule suffers an obstruction in any part of the digestive system [14], and for this reason, capsule endoscopy is not recommended for those patients suspected of having a capsular obstruction, fistulas, motility disorders, patients with pacemakers or other implanted electro-medical devices, dysphagia, and pregnancy [15-16].

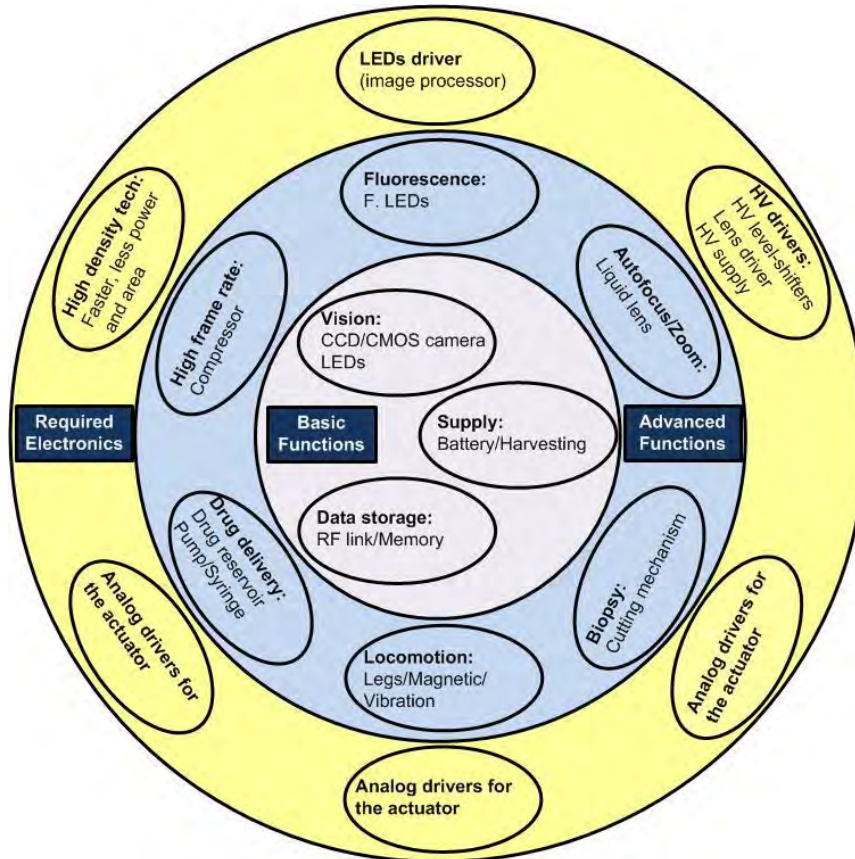
The capsular endoscopes are known by different names such as wireless capsule camera, video pill, PillCam [12,17], EndoCapsule [13] or Sayaka [18]. Their shape look similar to a pill or capsule and they are able to see areas, which traditional endoscopes are unable to see. Capsular endoscopes also gives extra convenience to the patient. After swallowing one of the aforementioned capsules, the patient may leave the hospital and return later after 8 hours. During this long period, the capsule captures images along the gastrointestinal (GI) tract while the patient is continuing the daily activity.

Although pill-shaped micro-cameras have existed for over 9 years by now, these systems are passive and are dependent to the peristaltic movement of the gastric wall to actively locomote. The camera takes thousands of pictures as it passes through the GI tract, but its position during this time cannot be controlled. Therefore, many research institutions around the world are exploring the possibility to have an active endoscopic device for medical inspection and therapy in the form of capsular robot [19].

Compared to traditional endoscopy, capsular endoscopy performs similar operations in a less invasive way. In order to functionally emulate a traditional endoscope, a capsule endoscope must be equipped with 3 basic functions. These functions are:

- Vision system, which is in charge of illuminating the GI tract and acquiring images. The vision system is composed by at least one camera and some LEDs.
- Communications system, which is in charge of sending the acquired images to the receiver placed outside the human body. It can be also in charge of receiving external orders.
- Supply system, which is in charge of supplying the whole capsule. The supply system can be composed by batteries or by other systems like wireless power supplier.

Although these basic functions are always needed, a capsule endoscope can be equipped with more functions (i.e. advanced functions) which will improve the diagnosis or add therapeutic possibilities. Figure 2 shows a scheme with the basic and advanced functions that can be added in a capsule endoscope and the components (sensors/actuators) required. Figure 2 describes also the electronics needed to enable each included function. The basic functions are those functions which are essential to build an operative capsular endoscope. Those functions have been described above. In addition, figure 2 also shows some of the most important advanced functions that can be added, as for example fluorescence, high frame rate, auto-focus/zoom, locomotion, drug delivery and biopsy. Basically, the fluorescent function permits a visible detection of early stage cancer by only adding some fluorescent LEDs to the capsule endoscope [20-21]. The high frame rate function permits to achieve more images of the GI tract and it also permits to perform the examination in real time. The autofocus/zoom functions requires the inclusion of a liquid lens (which is operated with high voltages), and it permits to acquire better images of the regions of interest. Finally, the drug delivery, biopsy and locomotion need special mechanism in order to perform their functions, for example it is needed a syringe or a pump for drug delivery, or a cutting mechanism for biopsy or some legs/vibration/magnetic system for active locomotion.



**Fig. 1.** Basic scheme of the functions that can be added in a capsule endoscope. It also resumes the required electronics needed to enable such functions

The inclusion of new functionalities is accompanied almost always with the incorporation of additional electronics in the capsule endoscope. Therefore, the space constraints imposed by the capsule endoscope plays an important role because they limit the electronics that can be added. In addition, the packaging of the electronics is also important. For example, enabling each function with off-the-shelf components requires so much more volume than designing an ASIC with specific drivers.

The aim of this chapter is to present the architecture of an advanced capsule endoscope designed in the framework of the “Versatile Endoscopic Capsule for Gastrointestinal Tumour Recognition and Therapy” (VECTOR) FP6-European project. Such capsule must include some advanced functions in order to enhance capsular diagnosis and to enable therapeutic functions. The requirements envisioned for the VECTOR capsule are:

- Improving image analysis. In order to improve the diagnosis the system has to be capable of performing NBI or fluorescence analysis. In the VECTOR

capsule these different analysis are achieved by using different LEDs in each case (e.g. for the Fluorescence function the capsule uses fluorescent LEDs).

- Improving the vision system by enabling the autofocus and zoom function. This is achieved by adding a liquid lens.
- High frame-rate: the state-of-the art capsules have a low frame rate. By increasing the frame rate the doctors are able to analyse more images. In order to achieve a high frame-rate it is necessary to implement a compressor between the camera and the transceiver.
- Active locomotion. It permits to create space, stop and move forward and backwards the capsule inside the GI tract. The movement can be achieved by adding some legs to the VECTOR capsule or by using magnets.
- Enabling therapeutic functions like drug delivery and/or biopsies.

Implementation of the above functions with off-the-shelf components requires too much space. So, a specific solution in which a unique ASIC is used has been performed.

## 2 System architecture

An active capsular endoscope needs the intervention of a medical doctor during the exploration. Guiding of the capsule endoscope is necessary to explore in detail a region or to do therapy. This procedure depends on the acquired images and the criteria of the medical doctor, therefore the possibility of a human error have to be considered. Nevertheless, if some robotic capabilities are added into the capsule endoscope, the possibility of a human error can be highly reduced. For example, if the robotic capsular endoscope also processes the images searching for polyps or abnormalities. The robotic functions can be also very useful during navigation. Such robotic functions can be enabled by adding a central processing unit (CPU), like a microprocessor, into the capsule.

As the VECTOR project pursues the goal of improving capsular endoscopy by adding advanced functions, enabling therapy and robotic behaviour, the basic and essential blocks of the smart VECTOR capsule must be: powering unit, vision system, telemetry system, locomotion system and a CPU. The powering, vision and telemetry units are the basic functions for a passive capsular endoscope, however, for an active capsule it is needed to add the locomotion function. The CPU is required to enable the robotic behaviour of the capsular endoscope.

Due to the space limitations and the low power consumption requirements, it is preferable to use ICs. For this reason, the trend for this system architecture is to unify the CPU and the locomotive system in one ASIC (the control IC). With this system architecture the robotic behaviour is enabled by software.

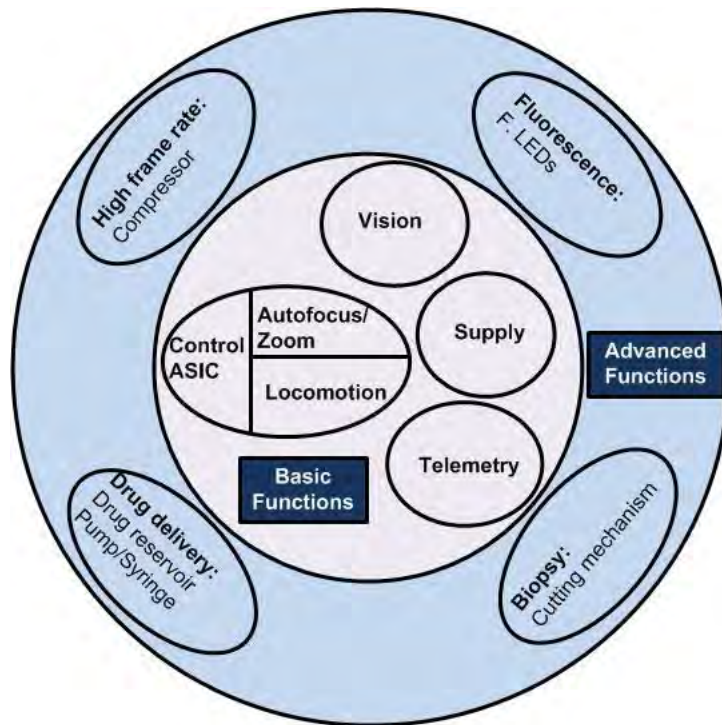
Figure 3 illustrates the concept of the VECTOR capsule. The ASIC, the CMOS camera, the telemetry system and supply system are in charge of enabling the basic functions of an active capsular endoscope. The ASIC includes the drivers needed to enable advanced vision functions and locomotion. The selected actuator for enabling locomotion in the VECTOR capsule is a brushless (BLDC) micromotor. The most

important feature of this actuator is that it can also be used to enable drug delivery and biopsy functions. Therefore, with the inclusion of a BLDC motor driver into the control ASIC it is possible to enable 3 different functions.

Figure 4 shows a representative schematic of the proposed architecture for the microrobotic VECTOR capsule. The next functions can be distinguished:

- The Powering Unit, which is the most important module, since energy feeding is mandatory for all the other modules. A bottleneck affecting all the commercial capsules is the limited available battery power, providing typically 25mW for 6-8 hours [22]. This amount of power is barely sufficient for low resolution images transmitted at low data-rates and certainly not enough for actuators and highly consuming modules. In the VECTOR capsule, a 3D inductive link is used to supply up to 400 mW (4). Details of the 3D inductive link can be found in [23-24]. In order to take full advantage from wireless power transfer, an energy storage system is also implemented, in order to provide high current peaks when needed.
- The vision system, which is formed by a CMOS camera and 16 LEDs. The CMOS camera acquires images while the LEDs illuminate the GI tract. In particular, the camera is a monolithic 320×240 active-pixel RGB/gray level camera-on-a-chip sensor that has been developed by Neuricam [25]. It has been fabricated using 0.18μm CMOS technology from UMC.  
For the illumination, the solution is to use narrow bandwidth color LEDs switched on alternatively at high frequency to deliver a composite white light illumination. This solution has the great advantage to allow recording white images and chromatic images with a single illumination unit.
- The transceiver: The endoscopic capsule needs a bidirectional data transmission for its correct operation, the endoscopic capsule has to receive orders from the medical doctors and it also has to be capable of sending the acquired data outside the human body. The downlink from the capsule to the outside world must be able to transmit a large amount of data. In addition, the available data rate defines the image quality of the endoscope. However, to get a high data rate one needs to increase the radio frequency of the carrier wave of the signal; but the higher the frequency, the higher the absorption of the waves by the human body. As the available power for the transmission is limited, a dedicated 2 Mbps FSK near-field transmitter has been designed and implemented to the endoscopic capsule. The data error detection and correction are performed at the transceiver. Further details of the transmitter are given in [26].





**Fig. 3.** Basic scheme showing the VECTOR capsule concept.

- The control IC, which has the control of the whole system. It controls the CMOS camera and the RF transceiver via the I2C bus. Taking into account the speed data transfers, an I2C bus has been selected to perform the interconnection of the different elements because it uses less wires (i.e. 2 wires), compared to other communication strategies like SPI bus (4 wires). In addition, the I2C bus is standard and it is widely used.

The control IC is also the one in charge of blinking the LEDs, driving 2 different motor drivers (used to enable locomotion, drug delivery and biopsy when it is needed) and driving a liquid lens (used for the autofocus and zoom functions).

As can be seen in figure 4, the ASIC does not control the compression system. Compression should be included in the CMOS camera or in the RF transceiver, however, as it will be described later, none of them include it. For this reason, in order to enable high frame rate it is needed to add an external element which has to be able to compress the acquired images and send it to the transceiver.

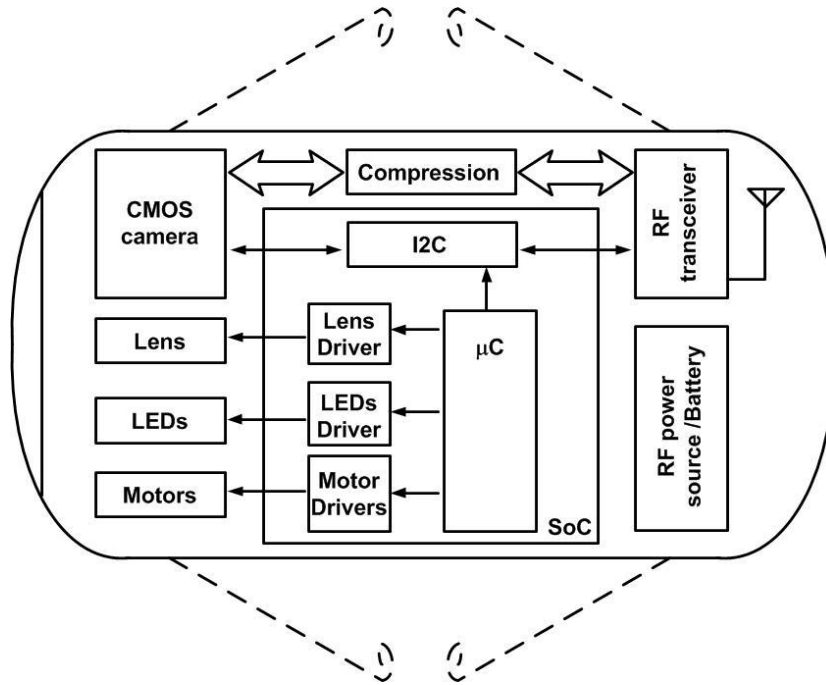


Fig. 4. Schematic of the proposed architecture for the microrobotic VECTOR capsule.

### 3 Control IC description

Looking at the basic features implemented on the commercial capsule endoscope, it is a big challenge to keep these inherent features of the capsule camera and integrate additional and advanced capabilities on a robot capsule, such as active locomotion and an auto-focusing. Especially if it is taken into account that it is needed a mixed signal ASIC in order to control and manage all these devices. Moreover, Such ASIC must be capable of working with low voltages and high voltages.

Beyond the trivial problems of integrating additional electronics on the same space, the difficulties arise to manage the actuators that enable the robotic functions. One of the key elements to solve such difficulties is to correctly select the technology to design the ASIC. For this reason, in this chapter the technology selection is detailed before entering in detail in the architecture of the ASIC and the design of the drivers.

#### 3.1 Technology selection

The definition of the technology for the fabrication of the ASIC is a very important part in the design flow. Considering that only some technologies are available in Europe at low cost and that not all the features of the technology are available for

low-volume users, the technology selection has to be done at the beginning of the design flow.

To fabricate the ASIC several technologies have been evaluated. It has been taken into account the integration density, the power consumption and the powering and driving voltages required for the capsule elements. All the technologies evaluated are available through Europractice Consortium or through Circuit Multi Projects (CMP) which offer low cost fabrication through Multi-Project-Wafer (MPW). On Table 1 there is a summary of technologies which can be used to design the IC for the VECTOR project. Deep-submicron technologies can not be used in VECTOR because the high-voltage requirements.

**Table 1:** High Voltage Technologies Available in Europractice and CMP

| Technology  | L (um) | Price (€)            | V (core) | V (I/O)  | Runs/Year  |
|-------------|--------|----------------------|----------|----------|------------|
| AMIS I2T100 | 0.7    | 600/mm <sup>2</sup>  | 5        | 5 / 100  | 5-EU       |
| AMIS I3T80  | 0.35   | 990/mm <sup>2</sup>  | 3.3      | 3.3 / 80 | 4-EU       |
| AMS CXZ     | 0.8    | 650/mm <sup>2</sup>  | 3.3 / 5  | 2.5 / 50 | 3-EU       |
| AMS H35b4   | 0.35   | 1000/mm <sup>2</sup> | 3.3 / 5  | 20 / 50  | 4-EU/4-CMP |

The maximum voltage required for the liquid lens of the capsule is 60V, although the driving can be done at 50V. The high voltage technologies presented on Table 1 are designed to achieve voltages from 50V to 100V. Comparing these four technologies a higher integration is obtained with a lower characteristic size, which is obtained with AMIS I3T80 and AMS H35b4. Between these two possibilities it has been chosen Austria-Micro-System (AMS) H35b4 technology which can work with four metals, in front of the three metals on AMIS technology, giving the possibility to reduce the interconnections complexity and also the total area required for the system. Further reasons to choose the AMS technology is that EEPROMs can be available in the H35b4 technology.

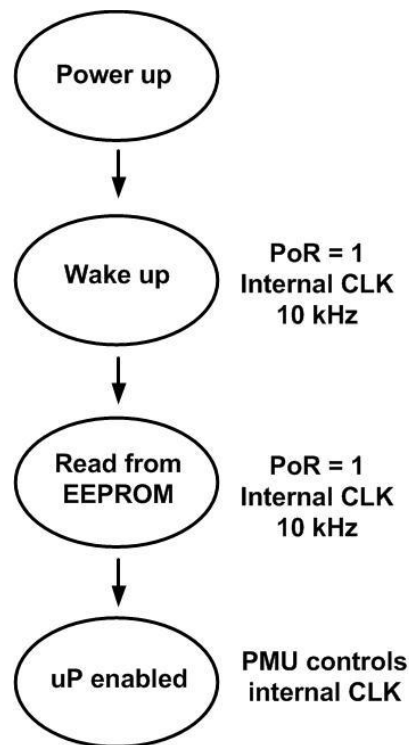
### 3.2 Control IC architecture

All the drivers and control electronics of the VECTOR capsule have been embedded in the same IC fabricated with a 0.35 um HV CMOS technology except compression and error correction.

Figure 6 shows the architecture of the IC. The main block of the IC is the embedded 8051 microprocessor which is the control unit (8051 IP). The inclusion of the microprocessor into the endoscopic capsule it is needed because it gives more flexibility to the system and facilitates the debug. In addition, as the functions of the capsular endoscope are not known in detail, the addition of a finite state machine (FSM) is excluded. Finally, the microprocessor permits to add robotic functions to the capsule endoscope.

The microprocessor is equipped with 256 B of SRAM internal memory. It also has 2 kB SRAM of data memory and 8 kB SRAM of program memory. This numbers has been selected from previous experiences [27]. After the test of the ASIC it will be

possible to exactly determine the amount of memory that is really needed. The memory type used is volatile. Therefore, each time the VECTOR capsule is powered-up, the program has to be uploaded in the program memory area. EEPROM memories have not been selected because they are not available by the technology provider in the case of MPW projects. The programming process is carried out by the Boot Loader (BL) that interprets and sends binary code received from serial port to particular program memory area. After the program is uploaded a Power On Reset is done to the processor and configuration registers. Figure 5 shows a simplified diagram of how the ASIC is programmed.



**Fig. 5.** Simplified block diagram of the ASIC configuration during the wake up process.

Specific peripherals have been included for each of the functions of the capsule. The peripherals determine the dynamic power consumption of the capsule. This strategy allows to administrate the instantaneous power to not overpass the powering capabilities. The peripherals are the time stamp control unit (TSCU), the I2C control unit (I2CCU), the LEDs control unit (LCU), the lens control unit (LeCU), the clock generator unit (CGU), the communications control unit (CCU) and two locomotion control units (LoCU). Detailed description of the ASIC features is given next.

**Time stamp control unit:** The TSCU is a simple FSM which is in charge of sending a synchronization bit to the transceiver. With this strategy the doctor is able to know when the images have been acquired.

**I2C control unit:** The interconnections between the different elements are done using a standard serial bus I2C [28]. It is also possible to implement this bus with slight modifications.

Here are some of the features of the I2C bus:

- Only two bus lines are required; a serial data line (SDA) and a serial clock line (SCL)
- Each device connected to the bus is software addressable by a unique address and simple master/slave relationships exist at all times; masters can operate as master-transmitters or as master-receivers
- It is a true multi-master bus including collision detection and arbitration to prevent data corruption if two or more masters simultaneously initiate data transfer
- Serial, 8-bit oriented, bi-directional data transfers can be made at up to 100kbit/s in the Standard-mode, up to 400kbit/s in the Fast-mode, or up to 3.4Mbit/s in the High-speed mode.
- On-chip filtering rejects spikes on the bus data line to preserve data integrity
- The number of ICs that can be connected to the same bus is limited only by a maximum bus capacitance

Figure 7 shows a schematic of the connections of the I2C bus.

**Communications control unit:** The CCU is in charge of receiving data from the telemetry system. It has to decode such data and send it to the microprocessor. The data is received at 4'8 kHz by a serial input. Therefore, the RX channel is used to send orders and information to the control ASIC. The communication link permits to control the capsule endoscope from outside.

The RX channel is usually in the sleep mode. To start the receiving process, the transmitter must send a logic one followed by the data (16 bits). Once received, the CCU generates an interruption (INT0) and it returns to the sleep mode. The interruption is processed by the microprocessor.

**Clock generator unit:** The CGU is a simple digital block used to distribute the clock of the system. The CGU receives the external clock (10 MHz) which is used to generate the clock signals for the communication module, the LoCU, LeCU and LCU modules.

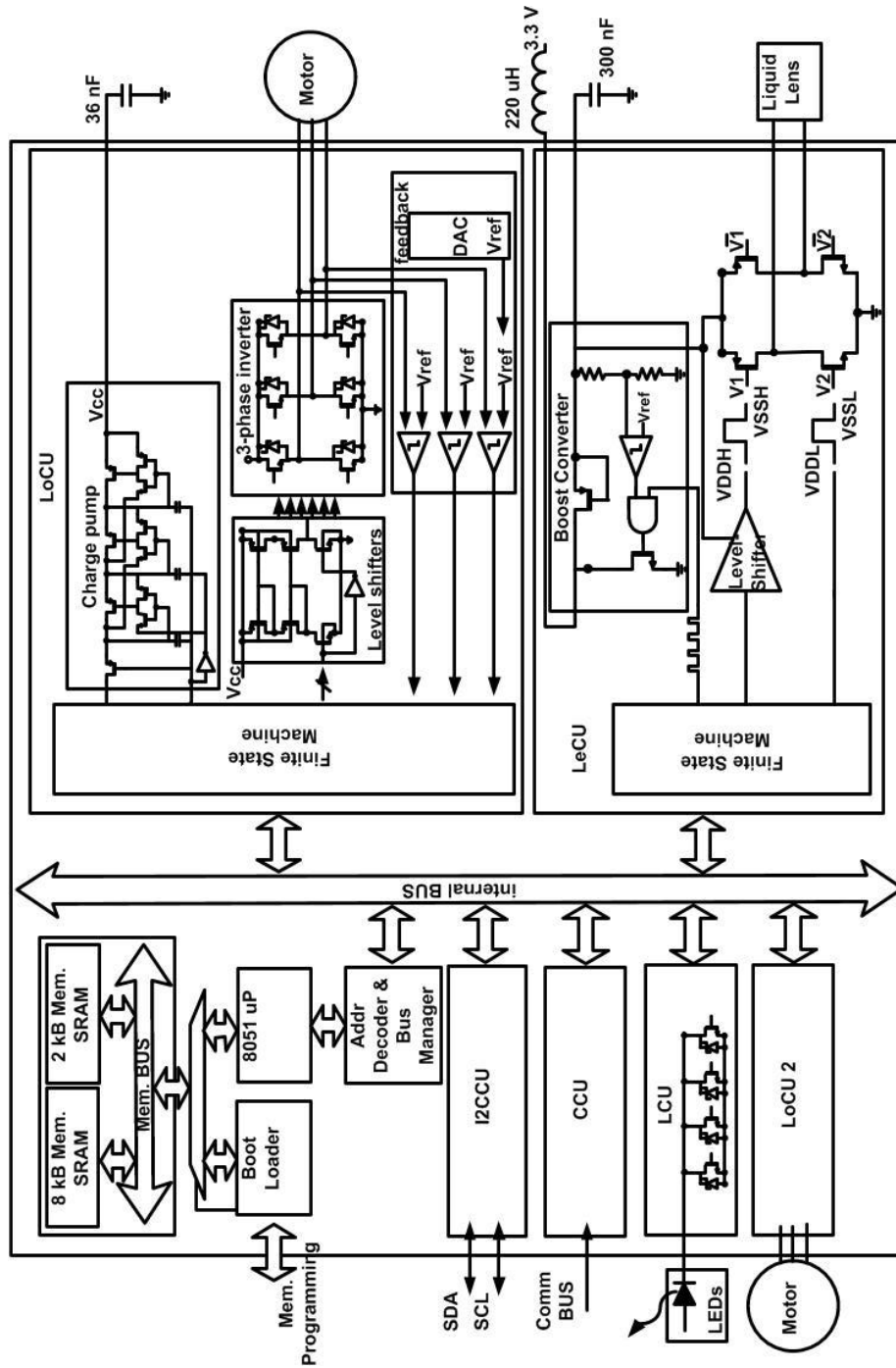


Fig. 6. Architecture of the SoC.

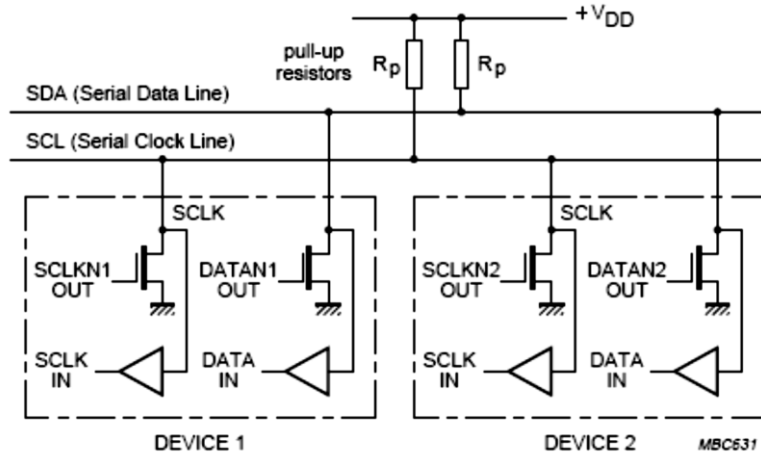


Fig. 7. Connection of Standard-AND Fast-Mode Devices to the I2C-bus [28].

**LEDs control unit:** The LCU is composed by a basic FSM which controls the current and the period to blink the LEDs and LED driver. The LEDs driver is composed of 8 transistors in parallel, with the Drain pins connected to the LED. Each transistor has a different W/L ratio. With this strategy, it is possible to control the current passes through the LED controlling the intensity of LEDs. Figure 8 shows the schematic of the LED driver.

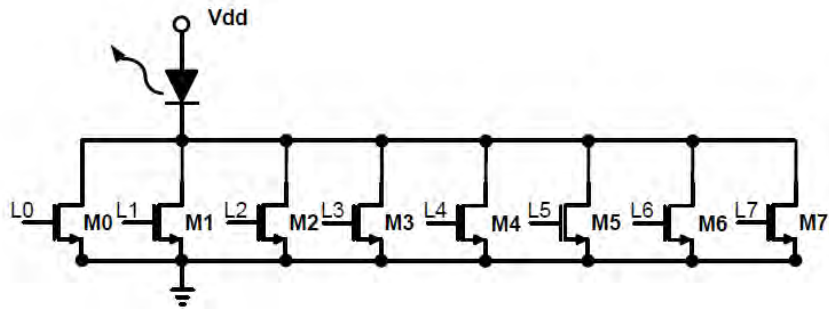
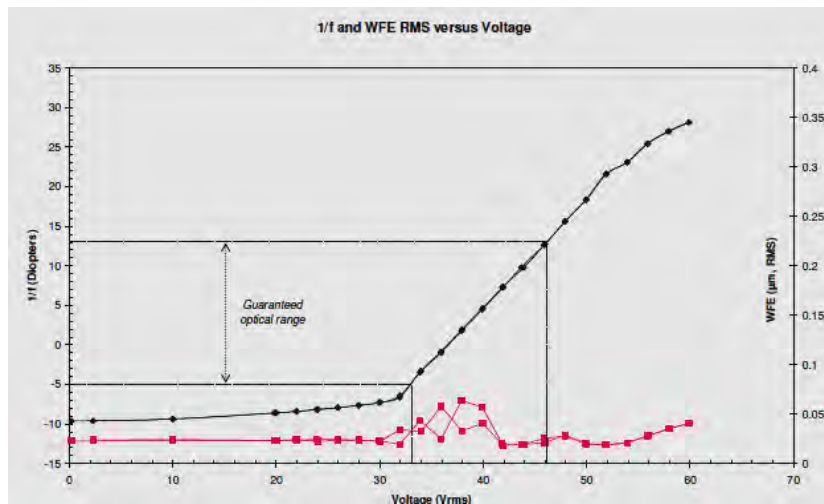


Fig. 8. Schematic of the LEDs driver.

**Liquid lens control unit:** The liquid lens used in the capsule is the ARCTIC 416 liquid lens from Varioptic. It uses two different electrodes to apply the driving signal. This liquid lens can be modelled as a resistor with a capacitor in series between each electrode. The working principle is simple, the focal of the lens is changed when it is driven with a PWM signal of amplitude between 30 V and 50 V. The impedance of the lens depends on the frequency of the driving signal, and a PWM signal of 1 kHz has practical utility. Figure 9 shows how the focal of the lens is changed depending on the applied voltage ( $V_{rms}$ ).

Although there are some ICs in the market which have been designed to drive the liquid lens [29-30], they consume too much area and, therefore, in the VECTOR capsule context, it is more suitable to design the liquid lens driver and implement it in the same ASIC where the other drivers are also placed.

The most typical circuit to drive an actuator like the liquid lens is an H-bridge driver. The main drawback is that the liquid lens requires high voltages (up to 50 V). Figure 10 shows the overall architecture of the liquid lens driver. The main element of the lens driver is the H-bridge (HB), which has two HV-PMOS transistors and two HV-NMOS transistors. The two outputs of the HB are connected directly to the liquid lens electrodes. The supply voltage of the lens driver (up to  $V_{DDH} = 50$  V) is generated by a DC-DC boost converter integrated partially (the inductor is external) into the SoC. The High Voltage level-shifters are needed to raise the driving signals to the operating gate voltages of the HV-PMOS transistors. Thus, the HV-PMOS transistors of the HB are driven with signal from  $V_{DDH}$  to  $V_{DDH} - 2 V_{THP}$  (where  $V_{THP}$  is the threshold voltage of the HV-PMOS transistor). Under normal operation the driver focuses the liquid lens by changing the duty cycle of the boost converter control signal. The voltage supply is then changed between 30 V and 50 V. The control of the driver is performed by a FSM which is also included in the driver.



**Fig. 9:**  $1/f$  versus the applied voltage at the liquid lens.



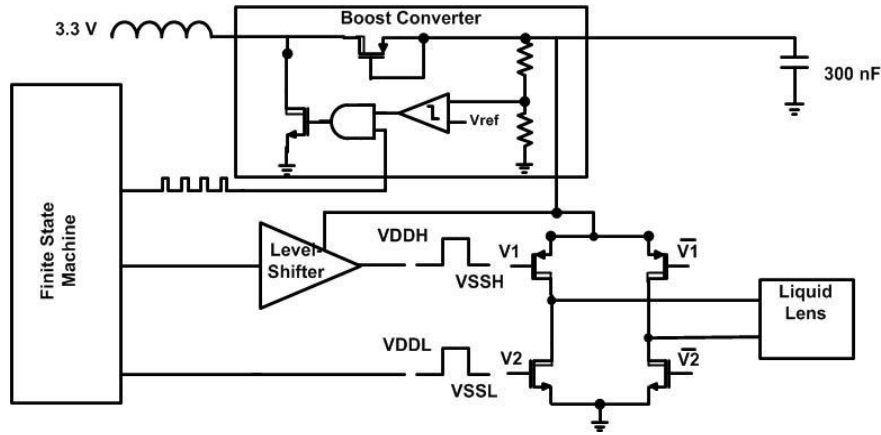


Fig. 10. Overall architecture of the liquid lens driver.

A more detailed schematic of the boost converter is depicted in figure 11. As the technology used can afford 50 V, the boost converter also includes a small circuit to prevent the generation of a voltage greater than 50 V. Such circuit is composed by a resistor divider, a comparator and an AND gate. When the output voltage is greater than 50 V the output of the comparator supplies a logic zero to the AND gate, which automatically switches off the transistor M1. If the output voltage is lower than 50 V, the comparator supplies a logic one, and the control is performed normally by the FSM.

The M1 and M2 transistors are HV transistors. The M1 transistor is HV-NMOS transistor used as a switch. The M2 transistor is a HV-PMOS transistor used as a HV-Diode.

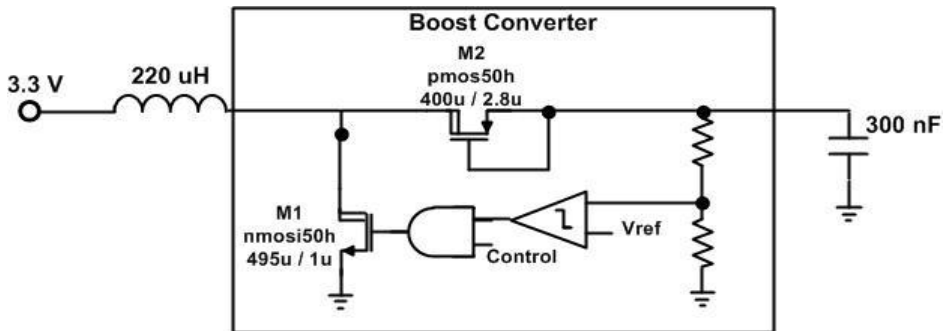


Fig. 11. Schematic of the DC-DC boost converter. Outside the box are placed the external components.

**Locomotion Control Unit:** The micromotor to be used in the capsule endoscope is a micro BLDC motor SBL04 (4mm diameter) from Namiki. It is a very attractive solution for engineers working in micro technologies and medical field, servo lens and micropumps. The strong construction allows the operation also in extreme environmental conditions. In combination with planetary geared SPG04, 4 different reduction ratios, the micro motor is suitable for a wide range of applications [31].

The driver of the Namiki motor is based on a 3-phase structure. This driver is the most popular and simplest solution for the control of the BLDC motor. Figure 12 shows the driver composed by 6 MOSFETs and controlled by 6 different signals [32]. Usually the MOSFETs are accompanied with a schottky diode in anti-parallel in order to manage the current generated in the inductance of the motor when one of the driving transistors is switched-off. Basically, the diodes maintain the transistors in the safe operating area (SOA). The better size reduction of the motor driver is achieved eliminating this external component. Despite its simplicity, it is needed to pay attention while designing the driver in order to minimize the gate voltage and the size of the transistors and, more important, to avoid freewheeling currents in the chip [33].

The motor works feed by current. When one phase has an input current, the second phase has an output current, and the third phase remains inactive. Alternating these phases the motor works properly. According to figure 12, in one stage the transistors 1 and 5 are switched on (a). Hence, the current flows through transistor 1 to transistor 5. In the second stage, transistor 5 is switched off and transistor 6 is switched on (b). In this case the current flows through transistor 1 to transistor 6. When going from (a) to (b), e.g., when transistor 5 is switched off, the parasitic inductance of the motor induces a freewheeling current that goes through the anti-parallel diode of transistor 2.

As commented, in order to reduce the area of the driver the diodes are not used. If no external diodes are used the freewheeling current must be driven by the parasitic anti-parallel diode of one of the MOSFETs. This implies a large quantity of current going into the substrate and, if possible, this current must be avoided or reduced. Therefore, the driving strategies used to avoid or reduce freewheeling currents in the design of a typical 3-phase driving structure with the h35 CMOS technology of AMS are:

- To implement a Synchronous Rectification (SR) with the controller [34-35].
- To control the induced freewheeling current by accurate control of the driving transistors [36].

In this case, the control of the induced freewheeling current by an accurate control of the driving transistors was selected because the control is simpler than in the SR solution. Further details of this controlling method are given in [36].

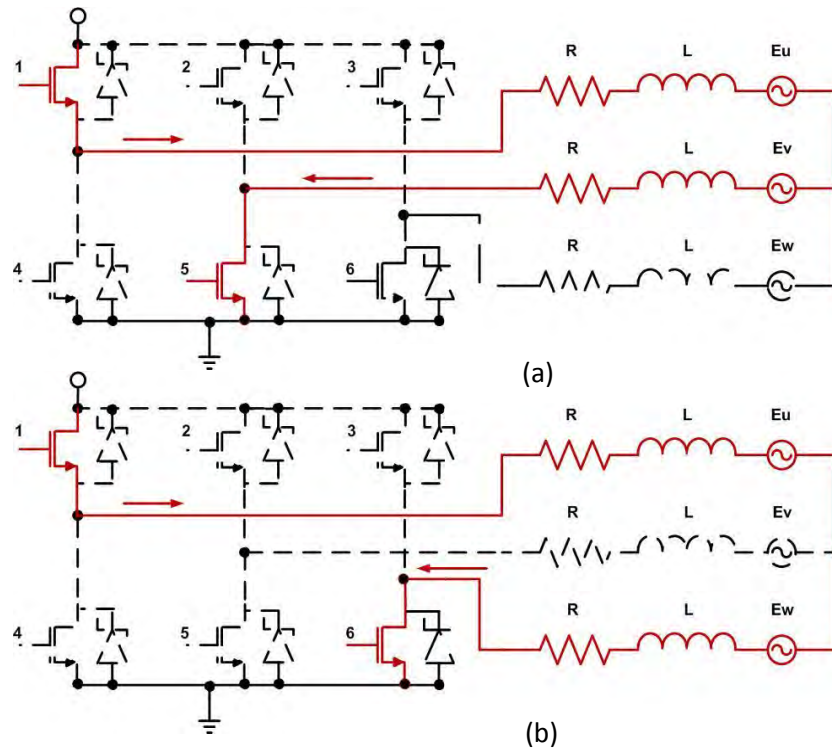


Fig. 12. Scheme of the basic function of the motor in two consecutive steps.

Figure 13 presents the architecture needed for the driving of the motors. The charge pump is in charge of generating up to 5 V and the level-shifter are in charge of adapting the controlling digital signals from the level 0 - 3.3 V to the level 0 - 5 V. Operating the transistors of the 3-phase inverter with 5 V gate voltage allows the use of smaller transistors compared with 3.3 V driving.

The charge pump is based on the Dickson-style charge pump [37] (Figure 14). It is designed for low voltage applications and has low power consumption. To generate any supply signal from 0 to 5 V, the charge pump must be supplied with an external voltage between 0 and 1.8 V. The maximum power consumption is achieved when it is supplied by 1.8 V (an output of 5 V) and it is of 0.45 mW.

The driver is also equipped with a feedback stage to perform a sensorless control based on the measurement of the back electromotive force (BEMF) generated at the motor. The feedback stage is composed by three comparators and a R-2R digital to analog converter (DAC). Each comparator senses each motor phase. The DAC generates the voltage reference for the comparators.

Finally, in normal operation, the driver is programmed with a start-up sequence, and configured to achieve the maximum speed possible. The start-up sequence consists of aligning the rotor to a known position and soon afterward commutating it in slow speed. This start-up sequence is necessary to generate BEMF feedback from

the motor coil, because BEMF feedback can only be detected when the rotor turns. If everything goes well and the BEMF reading shows an adequate value, the next commutation should be triggered by the incoming BEMF signals. The proper BEMF reading can be achieved through skipping one electrical commutation ahead by 120 degree and waiting for the zero crossing on the respective floating coil.

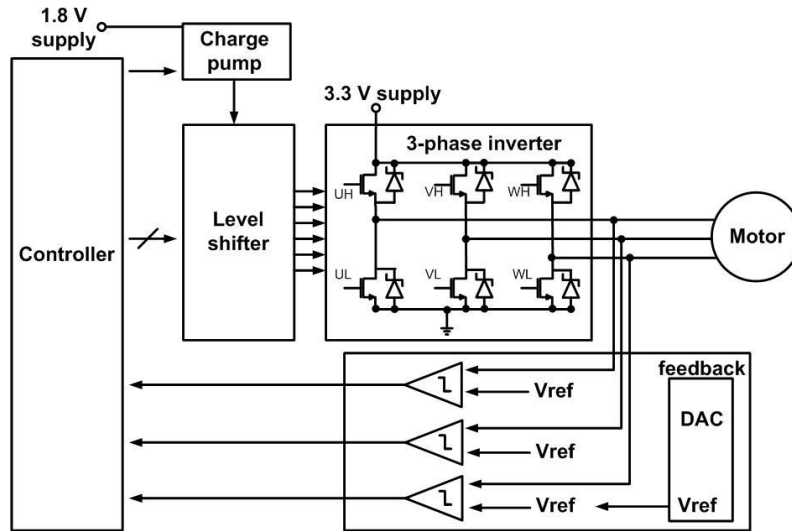


Fig. 13. Architecture of the motor driver.

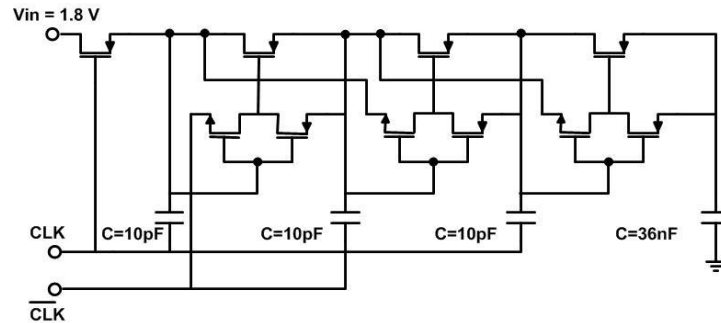


Fig. 14. Schematic of the charge pump.

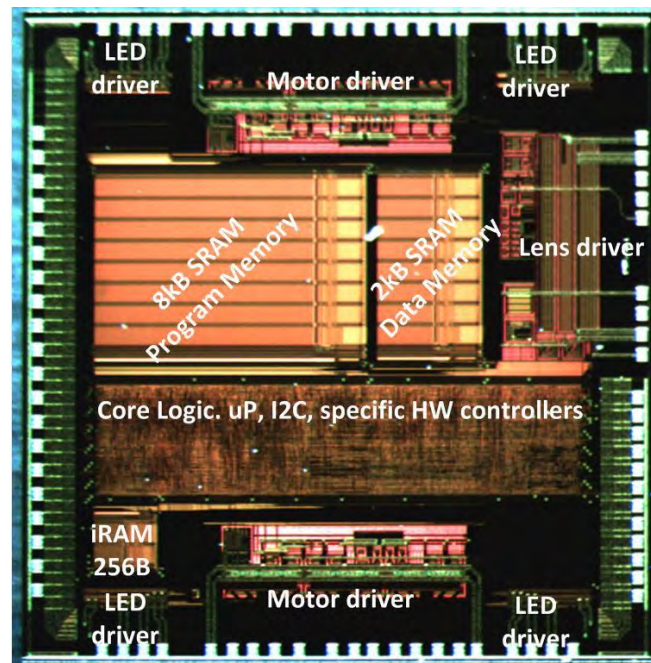
## 4 Implementation results

The die photo is shown in figure 15a. The size of the SoC is 5.1 mm x 5.2 mm. The IC needs 2 external capacitors of 36 nF and 300 nF, and an external inductor of 220

uH for its correct operation. The test of the ASIC has been performed using a wired VECTOR capsule prototype equipped with 8 mini-legs and 4 white LEDs. The procedure for testing was straightforward on an experimental board comprising one microcontroller and the ASIC. The microcontroller (PIC18F2550) is used to configure the ASIC each time we want to experiment with new programs. On the test bench, three connectors for BLDC motors and LEDs are connected to the ASIC. Further details of the test are given in [38-39].

A graphical user interface (GUI) application written in JAVA language has been developed to communicate with the PIC18F2500 through USB port. Figure 15b shows the VECTOR capsule prototype connected to the experimental board. In the accompanying video it is shown how the capsule opens and closes the legs while the illumination is turned on and off simultaneously.

The wired capsule prototype allows us to measure the power consumption. Figure 16 presents the measured power consumption of each task performed by the VECTOR capsule prototype. The tasks are enabled/disabled by the microprocessor. The maximum power demand is in the LoCU module. Each BLDC motor is connected to 4 legs. Therefore, it is possible to move 4 or 8 legs. The power consumption of the motor during the start-up is higher than in the stationary. However, the start-up does not alter the behavior of the VECTOR capsule because it is done in a short time (i.e. 10 ms).



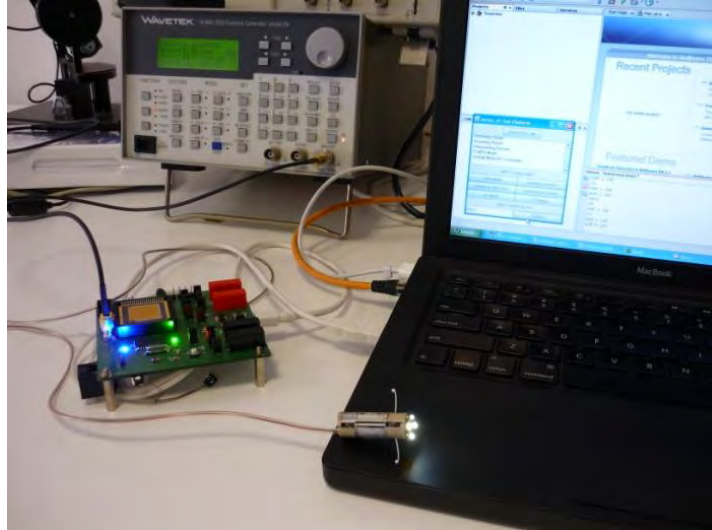


Fig. 15. a) Die photography. b) Image of the Test board and the Capsule prototype.

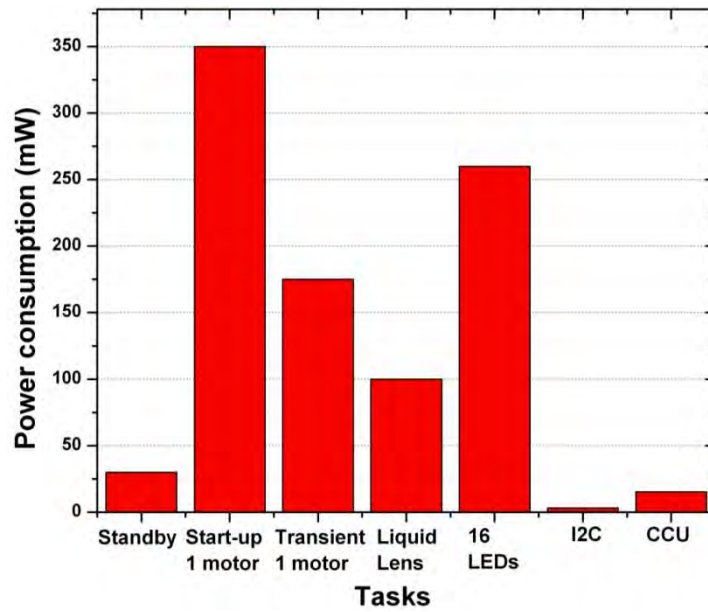


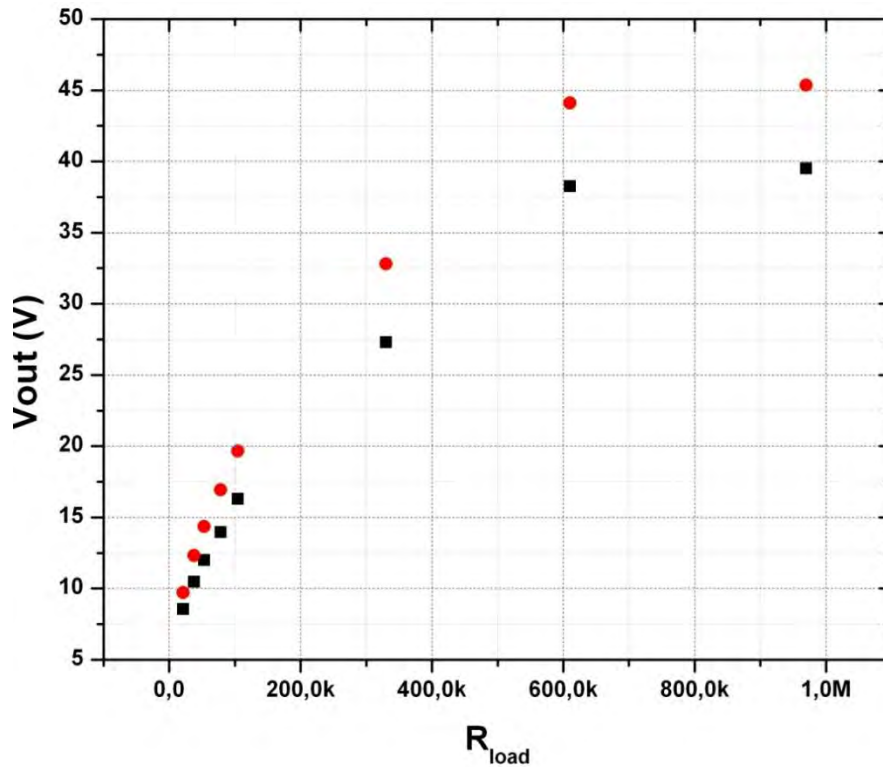
Fig.16. Measured power consumption.

Nevertheless, more exhaustive tests have been performed on the liquid lens driver and in the BLDC motor drivers in order to determine the correct operation of each block.

In the liquid lens driver the most problematic device is the boost converter, because if it fails it is required to use an external high voltage generator, which cannot be added in the capsule.

The DC-DC boost converter reported good results compared. An output of 50 V is achieved using a capacitive load at the output and 3.3 V at the input. Figure 17 shows the output voltage achieved using two different duty cycles (0.85 the red points and 0.7 the black ones) and different resistive loads connected at the output.

Although the liquid lens is not able to supply high voltages with low resistive loads, it is able to supply up to 50 V to the liquid lens. For this reason, the test of the full driver was prepared. The liquid lens has two electrodes in the external shape, for this reason it is needed to prepare a special board to connect the liquid lens in the right way. Figure 18 shows the boards used to connect the liquid lens



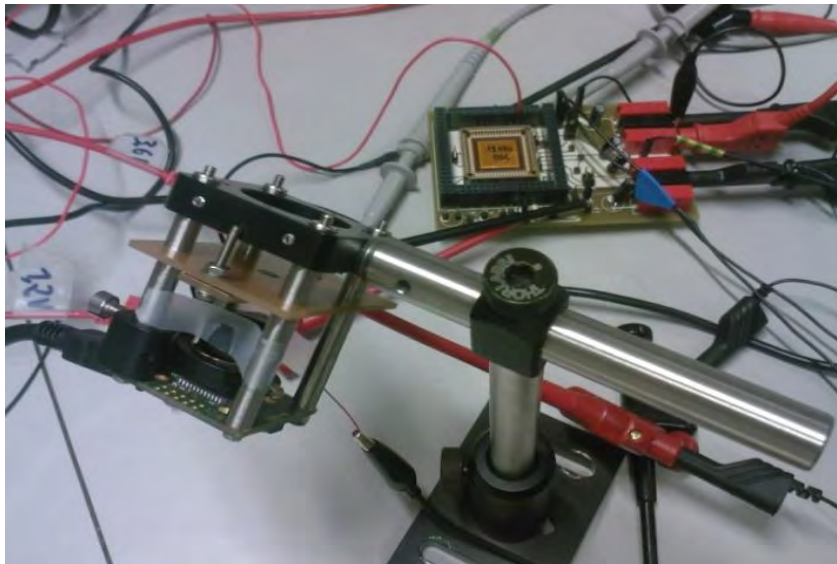
**Fig. 17.** Output voltage of the DC-DC boost converter versus the resistive load connected at the output. Results obtained using a duty cycle of 0.85 (red points) and a duty cycle of 0.7 (black points).

Figure 19 shows the test platform used for testing the complete system. It contains the liquid lens, a camera used to acquire images, the ASIC and the supplies sources needed to supply the ASIC. The liquid lens is in front of the camera, therefore it is

possible to change the focal of the liquid lens and acquire different images with different focals.



**Fig. 18.** Board uses to mount and test the liquid lens

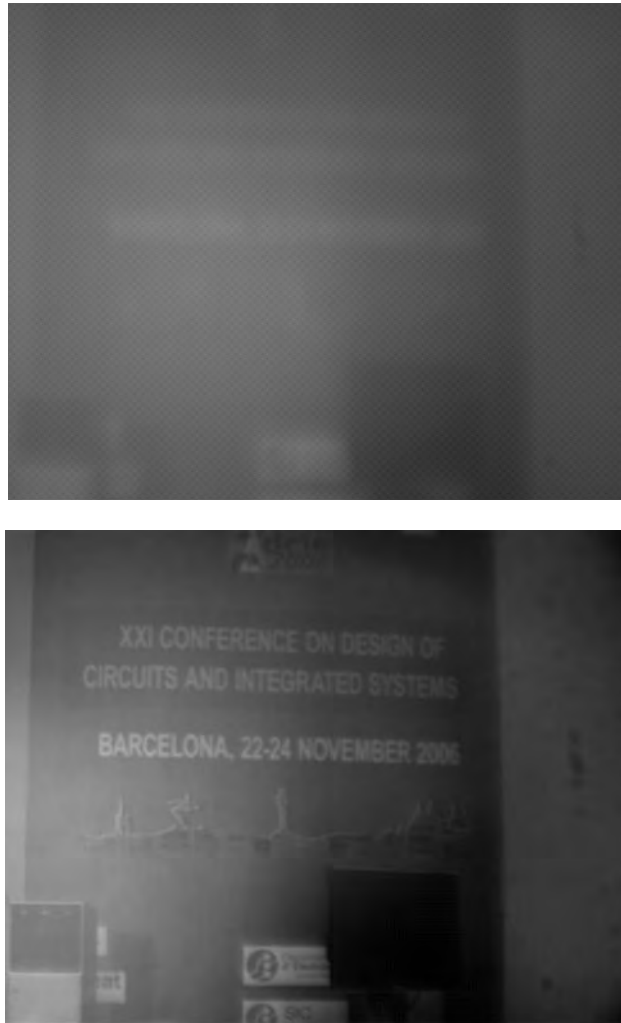


**Fig. 19.** Board uses to mount and test the liquid lens

The test consisted in generating an increasing voltage from 30 V to 50 V and applying the control signals generated by the driver to the liquid lens. With this strategy, it is possible to see how the focal of the liquid lens changes because the camera is acquiring images. Using this methodology, different images were acquired per different focals (i.e. different supply voltages). Figure 20 shows two pictures acquired by the camera using the liquid lens with a supply voltage of 30 V and 48 V. It can be seen that in the first image the liquid lens is not focalized while in the second image the liquid lens is focalized.



The test for the BLDC motor driver demonstrated that the driver can operate without the need of external diodes. This is a very important result because it reduces the area occupied by the BLDC motor driver, and the available space in the capsule endoscope can be used for other purposes. Figure 21 shows the motor signals during the start-up of the motor driver avoiding the freewheeling currents.



**Fig. 20.** Focalizing an image using the ASIC and the liquid lens. The first image uses a generated supply voltage of 30 V and the second image uses 48 V.

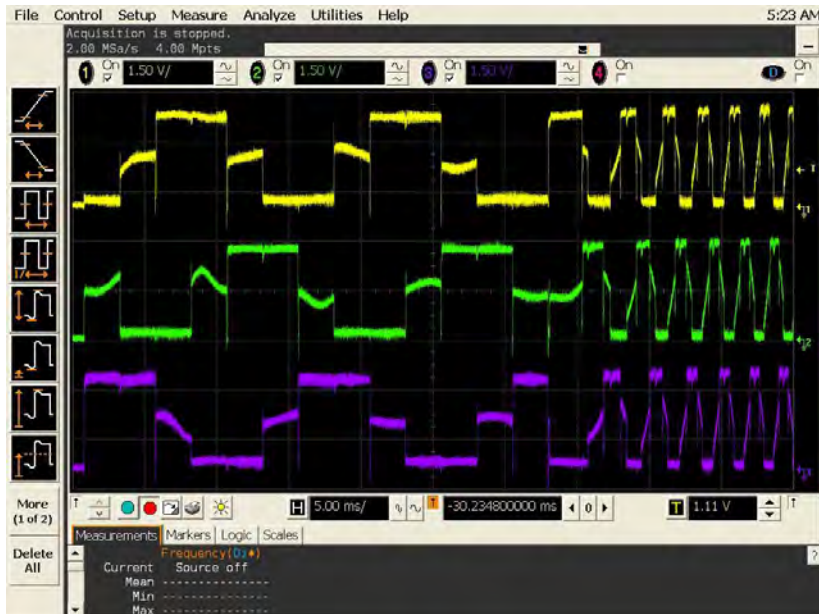


Fig. 21. Start-up of the improved driver using 12 steps to align the rotor.

## 5 Conclusions

The next step needed to make capsular endoscopy the golden standard procedure in endoscopy consist in improving the diagnosis functions and enabling therapeutic functions. The solution proposed in this chapter consists in equipping a capsule endoscope with robotic functions. Such robotic functions can be enabled by equipping the capsule endoscope with more sensors and actuators, needed to increase the capabilities, and adding a control system, which will control such sensors and actuators. Instead of using multiple chips, the solution has been to concentrate all the control electronics in a unique chip which is able to generate high current and high voltages required for today actuators in microrobotics.

In addition, the ASIC can be programmed with an RTOS which permits to control the capsule robot in real time. This allows the capsule robot to act according to the input stimuli and devote more efforts to events which are more important.

The microrobotic solution improves the medical diagnosis because the doctors have a total control of the endoscopic robot. This provides better accuracy during the exploration because the capsule robot is able to approach and focus over the desired section of the GI tract. Furthermore, thanks to the active locomotion, it is possible to do a faster exploration, compared with existing solutions. It permits to exclude the heal area and a faster approaching to the diseased area. However, the microrobotic solution has still some problems due to space limitations and power consumption requirements.

Although miniaturization of sensors, actuators, control electronics, telemetry system, wireless power system, compression system, CMOS camera and illumination system is a fact, the inclusion of all these elements in a small capsule of reduced dimension is still a challenge. In particular, for the presented microrobotic solution, the size of the capsule robot is d 10mm and length 33 mm, which is bigger than the state of the art capsule endoscopes. Furthermore, the addition of so many elements to the capsule robot increases the power demand. Despite the fact that the wireless power system is capable of supplying 400 mW, it is not enough power for the capsule robot to perform more than one task simultaneously. Besides, the addition of the compression to the presented capsular endoscope introduces a problem because it cannot be integrated in the control IC due to the technology selection. It was finally implemented in a small FPGA (silicon blue FPGA), however the best solution is to integrate it in an IC specially devoted for this operation.

In conclusion, although the trend in capsular endoscopy is to equip the capsule endoscope with robotic functions and increase diagnostic and therapeutic capabilities, current limitations of space and power consumption makes this solution unfeasible at the moment. For this reason, new solutions have to be applied.

## References

- 1 Fujinon Endoscopic Systems 2003-07, <http://www.fujinonendoscopy.com/>
- 2 Diagnostic and Therapeutic Impact of Double-Balloon Enteroscopy (DBE) in a Series of 100 Patients with Suspected Small Bowel Diseases; Cazzato IA, Cammarota G, Nista EC, Cesaro P, et al. *Dig Liver Dis* 2007 May;39(5):483-7.
- 3 Infection Control, and the Clinical Practice of Push Enteroscopy, Lawrence F. Muscarella; "Endoscopic Shuffling, *Gastroenterology Nursing*, March/April 2007, Volume 30 Number 2 Pages:109-115.
- 4 Advances in colonic imaging: technical improvements in colonoscopy; Brown GJ, Saunders BP; *Eur J Gastroenterol Hepatol* 2005; 17 (8):785-92.
- 5 Factors determining post-colonoscopy abdominal pain: prospective study of screening colonoscopy in 1000 subjects; Lee YC, Wang HP, Chiu HM, Lin CP, Huang SP, Lai YP, Wu MS, Chen MF, Lin JT, *J Gastroenterol Hepatol* 2006; 21 (10):1575-80.
- 6 Sedation-free colonoscopy using an upper endoscope is tolerable and effective in patients with low body mass index: a prospective randomized study; Park CH, Lee WS, Joo YE, Kim HS, Choi SK, Rew JS, Kim SJ, *Am J Gastroenterol* 2006; 101 (11):2504-10.
- 7 Colonoscopic polypectomy: a critical review of recent literature; Rubin PH, Wayne JD, *Curr Gastroenterol Rep* 2006; 8 (5):430-3.[
- 8 Complications of colonoscopy in an integrated health care delivery system; Levin TR, Zhao W, Conell C, Seeff LC, Manninen DL, Shapiro JA, Schulman J, *Ann Intern Med* 2006; 145 (12):880-6.
- 9 Flexible sigmoidoscopy as a screening test for colorectal cancer; Janssens JF, *Acta Gastroenterol Belg* 2005; 68 (2):248-9.
- 10 Does flexible small-diameter colonoscope reduce insertion pain during colonoscopy? Han Y, Uno Y, Munakata A, *World J Gastroenterol* 2000; 6 (5):659-63.
- 11 Source SMIT – Society for Medical Innovation & Technology; presented at the SMIT Congress 2005, Naples, Italy, Sept. 2005.

- 12 Wireless capsule endoscopy; Iddan G, Meron G, Glukhovskiy A, Swain P, Nature 2000; 405 (6):417.
- 13 Olympus capsule endoscopy for small bowel examination, Gheorghe C, Iacob R, Bancila I, J Gastrointest Liver Dis 2007;16:309–313.
- 14 Small Bowel Obstruction from Capsule Endoscopy; Megan Boysen, MD; Michael Ritter, MD, Western J Emerg Med. 2010;11(1):71-73.
- 15 ASGE Technology Status; Evaluation Report: wireless capsule endoscopy, Mishkin DS, Chuttani R, Croffie J, et al., Gastrointest Endosc; 2006; 63(4):539-45.
- 16 Capsule endoscopy, Saurin JC., Endoscopy 2007;39:986-91.
- 17 Wireless Capsule Endoscopy, D. Adler, C. Gostout, Hospital Physician, pp. 14 – 22, 2003.
- 18 RF Systems Lab. Available at <http://www.rfsystemlab.com>
- 19 P. Glass, E. Cheung, H. Wang, R. Appasamy and M. Sitti; “A motorized anchoring mechanism for a tethered capsule robot using fibrillar adhesives for interventions in the esophagus”; Proc. IEEE International Conference on Biomedical Robotics and Biomechanics, 2008.
- 20 A fluorescence imaging device for endoscopic detection of early stage cancer – instrumental and experimental studies. Baumgartner, R., et al 2008, Photochemistry and Photobiology, Vol. 46, pp. 759–763. 10.1111/j.1751-1097.1987.tb04844.x.
- 21 Real-time endoscopic fluorescence imaging for early cancer detection in the gastrointestinal tract. Zeng, H., et al., et al. 4, 1998, Bioimaging, Vol. 6, pp. 151–165. 10.1002/1361-6374.
- 22 The future of wireless capsule endoscopy. Swain, P. 14, 2008 : s.n., World J Gastroenterol , pp. 4142-4145.
- 23 A 3D Ferrite Coil Receiver for Wireless Power Supply of Endoscopic Capsules. Carta, R., Thoné, J. and Puers, R. 2009. Proceedings of the Eurosensors XXIII conference. Vol. 1, pp. 477-480. doi:10.1016/j.proche.2009.07.119. 1.
- 24 Wireless power supply as enabling technology towards active locomotion in capsular endoscopy. R., Carta and et al. 2008. Proc. of Eurosensors XXII. pp. 1369-1372.
- 25 Neuricam. [Online] <http://www.neuricam.com/>.
- 26 Design of a 2 Mbps FSK near-field transmitter for wireless capsule endoscopy. Thoné, J. and et al. 2009, Sens. Actuators A: Phys. . doi:10.1016/j.sna.2008.11.027..
- 27 Synopsys Inc. Guide to Design Ware DW8051 Macrocell Documentation. 2005.
- 28 Philips Semiconductors. 80C51 8-bit microcontroller family Datasheet. 2000.
- 29 HV895. [Online] [Cited: 2010 May 02.] [http://www.supertex.com/Feature\\_HV895.html](http://www.supertex.com/Feature_HV895.html).
- 30 MAX14515. [Online] [Cited: 2010 May 02.] <http://www.maxim-ic.com/datasheet/index.mvp/id/5949>.
- 31 expo21. expo21. [Online] [Cited: 11 March 2011.] [http://www.expo21xx.com/automation77/news/2094\\_robotics\\_equipment\\_namiki/news\\_default.htm](http://www.expo21xx.com/automation77/news/2094_robotics_equipment_namiki/news_default.htm).
- 32 Permanent magnet brushless motor control techniques. Hui, T.S. and Basu, K.P. 2003. Proc. of the National Power and Energy Conference. pp. 133-138.
- 33 Analysis of torque ripple in BLDC motor with commutation time. Kang, B., et al., et al. 2001. IEEE International Symposium on Industrial Electronics. Vol. 2, pp. 1044-1048.
- 34 Analysis of Electric Machines Piscataway. Krause, P.C., Wasynczuk, O. and Sudhoff, S.D. 1996, IEEE Press.
- 35 Smaller is better? [micromotors and electric drives]. Chapman, P.L. and Krein, P.T. 1, 2003, IEEE Ind. Appl. Mag., Vol. 9, pp. 62-67.
- 36 Reducing torque ripple of brushless DC motor by varying input voltage . Nam, K., et al., et al. IEEE Transactions on Magnetics . Vol. 42, pp. 1307–1310.
- 37 A new CMOS charge pump for low voltage applications . Ahmadi, M.M. and Jullien, G. 2005. IEEE International Symposium on Circuits and Systems. Vol. 5, pp. 4261-4264.

- 38 Control electronics integration toward endoscopic capsule robot performing legged locomotion and illumination. Alonso, O., et al. 2010. IEEE/RSJ International Conference on Intelligent Robots and Systems . pp. 2798–2803. doi: 10.1109/IROS.2010.5649283.
- 39 Enabling multiple robotic functions in an endoscopic capsule for the entire gastrointestinal tract exploration. Alonso, O., et al. 2010. Proceedings of the ESSCIRC. pp. 386 –389. doi: 10.1109/ESSCIRC.2010.5619724.