



HAL
open science

Opinion Manipulation in Social Networks

Alonso Silva

► **To cite this version:**

| Alonso Silva. Opinion Manipulation in Social Networks. 2016. hal-01357908

HAL Id: hal-01357908

<https://inria.hal.science/hal-01357908v1>

Preprint submitted on 30 Aug 2016

HAL is a multi-disciplinary open access archive for the deposit and dissemination of scientific research documents, whether they are published or not. The documents may come from teaching and research institutions in France or abroad, or from public or private research centers.

L'archive ouverte pluridisciplinaire **HAL**, est destinée au dépôt et à la diffusion de documents scientifiques de niveau recherche, publiés ou non, émanant des établissements d'enseignement et de recherche français ou étrangers, des laboratoires publics ou privés.

Copyright

Opinion Manipulation in Social Networks

Alonso Silva ^{*1}

¹Nokia Bell Labs, Centre de Villarceaux, Route de Villejust, 91620 Nozay, France

Abstract

In this work, we are interested in finding the most efficient use of a budget to promote an opinion by paying agents within a group to supplant their true opinions. We model opinions as continuous scalars ranging from 0 to 1 with 1 (0) representing extremely positive (negative) opinion. We focus on asymmetric confidence between agents. The iterative update of an agent corresponds to the best response to other agents' actions. The resulting confidence matrix can be seen as an equivalent Markov chain. We provide simple and efficient algorithms to solve this problem and we show through an example how to solve the stated problem in practice.

1 Introduction

The process of interpersonal influence that affects agents' opinions is an important foundation of their socialization and identity. This process can produce shared understandings and agreements that define the culture of the group. The question that we are trying to answer here is how hard or costly can it be for an external entity to change the largest proportion of opinions of a group by supplanting the true opinions of some agents within the group.

Starting from an initial distribution of continuous opinions in a network of interacting agents and agents behaving according to the best-response dynamics, our objective is to efficiently supplant the opinions of some agents to drive the largest proportion of opin-

ions towards a target set of values. In particular, we are interested to maximize the expected number of agents with an opinion of at least certain threshold value.

Related Work

A coordination game is played between the agents in which adopting a common strategy has a lower cost. When the confidence matrix is a row-stochastic matrix, it can be seen as an equivalent Markov chain. When the Markov chain is irreducible and aperiodic, [3] gives sufficient conditions for convergence to a consensus. There is a growing literature on social learning using a Bayesian perspective (see e.g. [1]). Our model belongs to the non-Bayesian framework, which keeps the computations tractable. [10] studies binary 0-1 opinion dynamics. Here, we study the continuous opinion dynamics where the opinion belongs to a bounded interval. Our work is mostly related to [7] in the case of no stubborn agents. However, in [7] the interactions between agents are symmetric and the cost for each agent of differing with its interacting agents is the same. Our work is also related to consensus problems [6] in which the question of interest is whether beliefs (some scalar numbers) held by different agents will converge to a common value.

Our contributions

We study opinion dynamics in the directed graph instead of the undirected graph. In our opinion, this scenario is more realistic since when an agent influences another agent it doesn't mean that the latter influences the former. This directed graph will be

*Email: alonso.silva@nokia-bell-labs.com To whom correspondence should be addressed.

edge-weighted since we consider different costs for an agent of differing with each of its interacting agents. Agents iteratively update their opinions based on their best-response dynamics which are given by a linear dynamic system. The confidence matrix describing the opinion dynamics can be seen as an equivalent Markov chain and by decomposing the states of this equivalent Markov chain between transient and recurrent states, we show that in the case we have only recurrent states the problem can be reduced to a knapsack problem which can be approximated through an FPTAS scheme. In the presence of transient states, the problem can be reduced to a Mixed Integer Linear Programming problem which in general is NP-hard but for which there are efficient implementations. We show through an example how to solve this problem in practice.

Organization of the work

The work is organized as follows. In Section 2, we provide the definitions and introduce the model. In Section 3, we provide the main results of our work. In Section 4, we give an example to explain how the problem can be solved in practice. We conclude our work in Section 5.

2 Model and Definitions

Consider a group of n agents, denoted by $\mathcal{I} = \{1, \dots, n\}$. For simplicity, we consider that each agent's opinion can be represented over the interval $[0, 1]$. For example, they could represent people's opinions about the current government with an opinion 1 corresponding to perfect satisfaction with the current government and 0 representing an extremely negative view towards the current government. In this work, we consider a synchronous version of the problem where time is slotted and each agent's opinion will be given by $x_i(t) \in [0, 1]$ for $t = 1, 2, \dots$. We have a budget $B \geq 0$ and we want to efficiently use this budget to pay some agents to favor either a positive (closest to 1) or negative (closest to 0) opinion over the group of agents. Without loss of generality (w.l.o.g.), we consider that we are promoting opin-

ions closest to 1. In the previous example, it would correspond to promote positive opinions towards the current government. We want to supplant the opinions of some agents in order to change the opinion of the largest proportion of the population. We consider a threshold opinion given by x^* that we would like that the largest proportion of the population at least has. In the previous example, it could be the threshold to have an approving or at least neutral opinion of the current government ($x^* = 1/2$) or the threshold to actually register and go to vote in the next election which we could consider to be much higher than $1/2$ (e.g. $x^* = 3/5$). Agents who have an opinion greater or equal to the threshold are called *supporters*. If every agent is a supporter, i.e. it has an opinion greater or equal than x^* , the problem is trivial since even without spending any budget we have succeeded in achieving our goal. The problem gets interesting when there are agents who have opinions smaller than x^* . The focus of the present work is on the asymptotic opinions of the agents. In other words, we would like to maximize

$$|\{i \in \mathcal{I} : x_i(+\infty) \geq x^*\}|,$$

where $|\cdot|$ denotes the set's cardinality.

We assume that there will be a cost (which will depend on the agent) for changing the agent's opinion. In the present work, we consider that the payments have to be done at only one time t_0 and without loss of generality we consider that $t_0 = 0$. To differentiate between the true opinion and the expressed (after payment) opinion, we denote the true opinion by \hat{x}_i and the expressed opinion by x_i . We assume that the payment we need to give to agent i to change its true opinion from $\hat{x}_i(0)$ to the expressed opinion $x_i(0)$ is given by

$$p_i = c_i(x_i(0) - \hat{x}_i(0)). \quad (1)$$

The budget constraint is given by

$$\sum_{i \in \mathcal{I}} p_i \leq B.$$

Our objective is to solve the following problem:

$$\begin{aligned} & \text{Maximize } |\{i \in \mathcal{I} : x_i(+\infty) \geq x^*\}|, \\ & \text{subject to } \sum_{i \in \mathcal{I}} p_i \leq B, \end{aligned} \quad (\text{P1})$$

where part of the problem is to discover the dependence between the asymptotic opinions of the agents $\{x_i(+\infty) : i \in \mathcal{I}\}$ and the payments $\{p_i : i \in \mathcal{I}\}$.

We consider a weighted directed graph of the n agents, denoted by $\mathcal{G} = (\mathcal{I}, \mathcal{E}, w)$, where each vertex corresponds to an agent and each edge is an ordered pair of vertices $(i, j) \in \mathcal{E} \subseteq \mathcal{I} \times \mathcal{I}$ which indicates that agent i takes into account, or considers relevant, the opinion of agent j . We notice that this isn't necessarily a symmetric relationship, for this reason we consider a directed graph.

In the following, we focus on one of the agents and discuss how this agent may change its opinion when it is informed of the (expressed) opinions of other agents.

We assume each agent $i \in \mathcal{I}$ has an individual cost function of the form

$$J_i(x_i(t), \mathcal{N}_i) = \frac{1}{2} \sum_{j \in \mathcal{N}_i} w_{ij} (x_i(t) - x_j(t))^2,$$

where $\mathcal{N}_i := \{j \in \mathcal{I} : (i, j) \in \mathcal{E}\}$ is the neighborhood of $i \in \mathcal{I}$ and we assume that the weights w_{ij} are nonnegative for all $i, j \in \mathcal{N}$ and not all zeros for each $i \in \mathcal{I}$. The objective for each agent is to minimize its individual cost function.

The above formulation defines a *coordination game* with continuous payoffs [7] because any vector $x = (x_1, \dots, x_n)$ with $x_1 = x_2 = \dots = x_n$ is a Nash equilibrium. We consider that at each time step, every agent observes the opinion of its neighbors and updates its opinion based on these observations in order to minimize its individual cost function.

It is easy to check that for every agent $i \in \mathcal{I}$, its best-response strategy is given by

$$x_i(t+1) = \frac{1}{W_i} \sum_{j \in \mathcal{N}_i} w_{ij} x_j(t),$$

where $W_i = \sum_{j \in \mathcal{N}_i} w_{ij}$. We notice that this extends the work of Ghaderi and Srikant [7] in the case of no stubborn agents, where they consider an undirected graph and the cost of differing to be the same across all neighbors ($w_{ij} = 1$ for all i, j).

Define the *confidence matrix* $A = [A_{ij}]$ where

$$A_{ij} = \begin{cases} \frac{w_{ij}}{W_i} & \text{if } (i, j) \in \mathcal{E}, \\ 0 & \text{otherwise.} \end{cases}$$

Therefore, in matrix form, the best response dynamics are given by

$$x(t+1) = Ax(t), \quad (2)$$

where $x(t) = (x_1(t), x_2(t), \dots, x_n(t))$ is the *vector of opinions* at time t .

We notice that A is a row-stochastic matrix since every element A_{ij} is nonnegative and the sum of the elements in any given row is 1. The entry A_{ij} can be interpreted as the weight (or confidence) that agent $i \in \mathcal{I}$ gives to the opinion of agent $j \in \mathcal{I}$. In the following, we make the assumption that each agent has a little bit of self-confidence.

Assumption [Self-confidence]: We say that the dynamical system (2) has *self-confidence* if the diagonal of A is strictly positive. For every agent $i \in \mathcal{I}$, $A_{ii} > 0$ or equivalently $w_{ii} > 0$.

It is assumed that the agents of the group continue to make the revisions given by (2) indefinitely or until $x(t+1) = x(t)$ for some t such that further revision doesn't actually change their opinions.

Since A is a row-stochastic matrix, it can be seen as a one-step transition probability matrix of a Markov chain with n states and stationary transition probabilities. Therefore the theory of Markov chains can be applied.

We recall some basic definitions from Markov chains which will be used afterwards. In the following j will be called a *consequent* of i (of order n), relative to a given stochastic matrix, if $A_{ij}^n > 0$ for some $n \geq 1$. The states of the Markov chain $1, \dots, n$ can be divided into two classes as follows:

- a *transient state* is one which has a consequent of which it is not itself a consequent;
- a *recurrent state* is one which is a consequent of every one of its consequents.

In the following, F will be the class of transient states. The recurrent states can be further divided into *ergodic classes*, E_1, E_2, \dots , by putting two states in the same class if they are consequent of each other (see e.g. [5], p. 179). Then, if $i \in E_k$, $A_{ij}^n = 0$ for all $j \notin E_k$, $n \geq 1$. Remember that if $i \in F$, then at least one of its consequents lies in an ergodic class.

The decomposition of the states of the equivalent Markov chain can be accomplished (see [4]) in $O(\max(|V|, |E|))$. In the following, \mathcal{F} represents the class of n_T transient states. We can further decompose the class of recurrent states into $\mathcal{E}_1, \mathcal{E}_2, \dots, \mathcal{E}_m$ for some $m \leq n$, corresponding to the ergodic classes of the recurrent states (see e.g. [5], p. 179). The states of the equivalent Markov chain are aperiodic (under the self-confidence assumption). We denote by E_k the sub-matrix of A representing the subgraph \mathcal{E}_k of the ergodic class k , composed by n_k states. Obviously, $n_1 + n_2 + \dots + n_m + n_T = n$.

3 Results

3.1 Dynamical Systems Without Transient States

We focus into one of the subgraphs described by sub-matrix E_k . For a subset $S \subseteq \mathcal{I}$ we denote by 1_S the 0/1 vector, whose i -th entry is 1 iff $i \in S$ and $(\cdot)'$ denotes the transpose operator. Let's denote $\pi^{(k)}$ the normalized (i.e. $1'_{\mathcal{E}_k} \pi^{(k)} = 1$) left eigenvector of E_k associated with eigenvalue 1. It is well-known (see e.g. [5], p. 182) that the equilibrium for the ergodic class under dynamics (2) is unique and that the agents of the ergodic class k will reach a consensus (all opinions are eventually the same) where

$$x_i(+\infty) = \sum_{j \in \mathcal{E}_k} \pi_j^{(k)} x_j(0) \text{ for all } i \in \mathcal{E}_k. \quad (3)$$

Therefore $\pi_j^{(k)}$ can be interpreted as the influence of agent j within its ergodic class k .

From eq. (1), we have that

$$x_i(0) = \hat{x}_i(0) + \frac{p_i}{c_i}.$$

If we focus on ergodic class k , the problem of what is the minimum budget to make the consensus opinion of the ergodic class to be higher than a threshold x^*

becomes

$$\begin{aligned} & \text{Minimize } P_k := \sum_{i \in \mathcal{E}_k} p_i \\ & \text{subject to } \sum_{i \in \mathcal{E}_k} \pi_i^{(k)} \left(\hat{x}_i(0) + \frac{p_i}{c_i} \right) \geq x^*, \\ & 0 \leq \left(\hat{x}_i(0) + \frac{p_i}{c_i} \right) \leq 1, \quad \forall i \in \mathcal{E}_k, \\ & \text{and } p_i \geq 0, \quad \forall i \in \mathcal{E}_k. \end{aligned} \quad (\text{P2})$$

Reordering the states (which can be done through any efficient sorting procedure in $O(|V| \log |V|)$ see e.g. [2]), we can assume w.l.o.g. that

$$\frac{\pi_1^{(k)}}{c_1} \geq \frac{\pi_2^{(k)}}{c_2} \geq \dots \geq \frac{\pi_{n_k}^{(k)}}{c_{n_k}},$$

and denoting the critical item of ergodic class k as

$$s = \min \left\{ j \in \mathcal{E}_k : \sum_{i=1}^j \pi_i^{(k)} + \sum_{i=j+1}^{n_k} \pi_i^{(k)} \hat{x}_i(0) \geq x^* \right\},$$

we have the following theorem:

Theorem 1. *The optimal solution $\bar{p} = (\bar{p}_1, \bar{p}_2, \dots, \bar{p}_{n_k})$ is given by*

$$\begin{aligned} \bar{p}_j &= \begin{cases} c_j(1 - \hat{x}_j(0)) & \text{for } j = 1, \dots, s-1, \\ 0 & \text{for } j = s+1, \dots, n_k, \end{cases} \\ \bar{p}_s &= \frac{c_s}{\pi_s^{(k)}} \left(x^* - \sum_{j=1}^{s-1} \pi_j^{(k)} - \sum_{j=s}^{n_k} \pi_j^{(k)} \hat{x}_j(0) \right). \end{aligned}$$

Proof. See Appendix A. \square

Theorem 1 tell us to select the agent i with the highest $(\pi_k)_i/c_i$ and to put it to the maximum possible value. We notice that by selecting the i with the highest $(\pi_k)_i/c_i$ we are selecting the agent whose influence-to-cost ratio is minimum.

From Theorem 1, the optimal value $\bar{P}_k = \sum_{i \in \mathcal{E}_k} \bar{p}_i$ of (P2) is given by

$$\begin{aligned} \bar{P}_k &= \sum_{j=1}^{s-1} c_j(1 - \hat{x}_j(0)) + \\ &+ \frac{c_s}{\pi_s^{(k)}} \left(x^* - \sum_{j=1}^{s-1} \pi_j^{(k)} - \sum_{j=s}^{n_k} \pi_j^{(k)} \hat{x}_j(0) \right). \end{aligned} \quad (4)$$

Therefore, for each ergodic class k we have the payment \bar{P}_k , given by eq. (4), we need to make to obtain n_k agents having an opinion greater or equal than x^* . More importantly, these payments $\{\bar{P}_k : 1 \leq k \leq m\}$ are independent between them in the sense that each payment affects only the ergodic class where the payment was made.

In other words, the problem (P1) is equivalent to determine $\{z_k\}$ where

$$z_k = \begin{cases} 1 & \text{if class } k \text{ is selected} \\ 0 & \text{otherwise} \end{cases} \quad (5)$$

in order to

$$\begin{aligned} & \text{Maximize } \sum_{k=1}^m z_k n_k \\ & \text{subject to } \sum_{k=1}^m z_k \bar{P}_k \leq B \\ & \text{and } z_k \in \{0, 1\}. \end{aligned} \quad (\text{P2}') \quad (6)$$

This is the classic 0-1 knapsack problem, and thus we can use the well-known linear time FPTAS¹ algorithm of Knapsack [8] to obtain a FPTAS to problem (P1).

3.2 Dynamical Systems With Transient States

For the recurrent states, the previous analysis still holds. For the transient states, we need to use different properties of Markov chains. From subsection (3.1), we know that the equilibrium for each ergodic class under dynamics (2) is unique and that agents within each ergodic class will reach a consensus where

$$x_i(+\infty) = \sum_{j \in \mathcal{E}_k} \pi_j^{(k)} x_j(0) \text{ for all } i \in \mathcal{E}_k.$$

We denote

$$\mathcal{O}_k := \sum_{j \in \mathcal{E}_k} \pi_j^{(k)} x_j(0)$$

¹ An FPTAS, short for Fully Polynomial Time Approximation Scheme, is an algorithm that for any ε approximates the optimal solution up to an error $(1 + \varepsilon)$ in time $\text{poly}(n/\varepsilon)$.

the consensus opinion of ergodic class k . We know that the system will remain among the transient states through only a finite number of transitions, with probability 1 (see e.g. [5], p. 180). Moreover, we have the following theorem:

Theorem 2. *The equilibrium for a transient state $i \in \mathcal{F}$ (see e.g. [5], p. 182) under dynamics (2) is unique and given by*

$$x_i(\infty) = \sum_{k=1}^m h_i^{(k)} \mathcal{O}_k, \quad (6)$$

where $h_i^{(k)}$ denotes the hitting probability of the recurrent ergodic class \mathcal{E}_k starting from $i \in \mathcal{I}$.

Proof. See Appendix B. \square

The hitting probabilities for each ergodic class can be calculated from simple linear equations (see [9], p. 13):

$$\begin{aligned} h_i^{(k)} &= 1 \quad \text{for } i \in \mathcal{E}_k, \\ h_i^{(k)} &= \sum_{j \in \mathcal{I}} A_{ij} h_j^{(k)} \quad \text{for } i \notin \mathcal{E}_k. \end{aligned} \quad (7)$$

From eq. (3) and eq. (6), we notice that the only opinions which affect the asymptotic opinions of the recurrent and the transient states are the opinions coming from the recurrent states, therefore in the optimum the payments will be zero for every transient state $p_t = 0, \forall t \in \mathcal{F}$. The hitting probabilities of ergodic class k starting from state $i \in \mathcal{E}_j$ are given by

$$h_i^{(k)} = \begin{cases} 1 & \text{if } j = k, \\ 0 & \text{otherwise.} \end{cases}$$

The hitting probabilities of ergodic class k starting from state $i \in \mathcal{F}$ are calculated from eq. (7). Therefore, problem (P1) becomes

$$\text{Max } \sum_{i \in \mathcal{I}} I \left[\left(\sum_{k=1}^m h_i^{(k)} \sum_{i \in \mathcal{E}_k} \pi_i^{(k)} \left(\hat{x}_i(0) + \frac{p_i}{c_i} \right) \right) - x^* \right]$$

where $I(s) = \begin{cases} 1 & \text{if } s \geq 0, \\ 0 & \text{otherwise,} \end{cases}$

subject to the budget constraint $\sum_{i \in \mathcal{I}} p_i \leq B$.

(P3)

Defining

$$L := \min_{i \in \mathcal{I}} \left(\sum_{k=1}^m h_i^{(k)} \sum_{i \in \mathcal{E}_k} \pi_i^{(k)} \hat{x}_i(0) \right), \quad (8)$$

problem (P3) is equivalent to the following formulation:

$$\text{Maximize } \sum_{i \in \mathcal{I}} z_i$$

subject to

$$-\frac{\left(\sum_{k=1}^m h_i^{(k)} \sum_{i \in \mathcal{E}_k} \pi_i^{(k)} \left(\hat{x}_i(0) + \frac{p_i}{c_i} \right) \right) - x^*}{L - x^*} + 1 \geq z_i,$$

$$0 \leq \left(\hat{x}_i(0) + \frac{p_i}{c_i} \right) \leq 1, \quad \forall i \in \mathcal{E}_k,$$

$$\sum_{i \in \mathcal{I}} p_i \leq B,$$

$$\text{and } z_i \in \{0, 1\} \quad \forall i \in \mathcal{I}.$$

Indeed,

$$\begin{aligned} I \left[\left(\sum_{k=1}^m h_i^{(k)} \mathcal{O}_k \right) - x^* \right] &= 0, \\ \Leftrightarrow \left(\sum_{k=1}^m h_i^{(k)} \mathcal{O}_k \right) - x^* &< 0, \\ \Leftrightarrow -\frac{\left(\sum_{k=1}^m h_i^{(k)} \mathcal{O}_k \right) - x^*}{L - x^*} &< 0, \end{aligned}$$

From (P3'),

$$-\frac{\left(\sum_{k=1}^m h_i^{(k)} \mathcal{O}_k \right) - x^*}{L - x^*} + 1 \geq z_i,$$

implies that $z_i < 1$ and $z_i \in \{0, 1\}$ implies that $z_i = 0$.

Similarly,

$$\begin{aligned} I \left[\left(\sum_{k=1}^m h_i^{(k)} \mathcal{O}_k \right) - x^* \right] &= 1, \\ \Leftrightarrow \left(\sum_{k=1}^m h_i^{(k)} \mathcal{O}_k \right) - x^* &\geq 0, \\ \Leftrightarrow -\frac{\left(\sum_{k=1}^m h_i^{(k)} \mathcal{O}_k \right) - x^*}{L - x^*} + 1 &\geq 1, \end{aligned}$$

From (P3'),

$$-\frac{\left(\sum_{k=1}^m h_i^{(k)} \mathcal{O}_k \right) - x^*}{L - x^*} + 1 \geq z_i,$$

implies that $z_i < 1$ but since we are maximizing the objective function we have that $z_i = 1$.

The system of equations (P3') is a mixed integer programming problem which is NP-hard, however many software (see e.g. AMPL, R) can solve them quite efficiently. In the illustrative example, we use the programming language R.

4 Illustrative Example

Consider as inputs:

- the confidence matrix given by the coefficients in Fig. 1, where the self-loops were not added but their coefficients can be computed since the outgoing edges sum to 1;

- the initial opinions of the agents

$$\hat{x} = (0.5, 0.3, 0.4, 0.1, 0.6, 0.7, 0.3, 0.1, 0.8, 0.1, 0.2, 0.4);$$

- the cost (in dollars) to change their opinions by +0.1 given by

$$c = (100, 80, 120, 60, 20, 100, 80, 120, 60, 20, 90, 70);$$

- the target opinion $x^* = 1/2$

- and a budget (in dollars).

Our objective is to determine the most efficient use of the budget to maximize the number of agents who have an opinion of at least x^* (supporters).

Solution

We can decompose the system in:

- transient states $\mathcal{F} = \{d, e, f, g, h\}$,
- ergodic class $\mathcal{E}_1 = \{a, b, c\}$, and
- ergodic class $\mathcal{E}_2 = \{i, j, k, l\}$.

The ergodic class $\mathcal{E}_1 = \{a, b, c\}$ is given as in Fig. 2. and
The matrix E_1 is given by the coefficients in Fig. 2.

$$E_1 = \begin{matrix} & \begin{matrix} a & b & c \end{matrix} \\ \begin{matrix} a \\ b \\ c \end{matrix} & \begin{pmatrix} 0.7 & 0.3 & 0 \\ 0 & 0.6 & 0.4 \\ 0.5 & 0 & 0.5 \end{pmatrix} \end{matrix}$$

The stationary distribution $\pi^{(1)} = (\pi_a^{(1)}, \pi_b^{(1)}, \pi_c^{(1)})'$ for ergodic class \mathcal{E}_1 is the solution of the system of equations

$$\begin{aligned} (\pi^{(1)})^T E_1 &= (\pi^{(1)})^T, \\ \pi_a^{(1)} + \pi_b^{(1)} + \pi_c^{(1)} &= 1. \end{aligned}$$

Therefore

$$\pi^{(1)} = \left(\frac{20}{47}, \frac{15}{47}, \frac{12}{47} \right)'$$

The ergodic class $\mathcal{E}_2 = \{i, j, k, l\}$ is given as in Fig. 3. The matrix E_2 is given by the coefficients in Fig. 3.

$$E_2 = \begin{matrix} & \begin{matrix} i & j & k & l \end{matrix} \\ \begin{matrix} i \\ j \\ k \\ l \end{matrix} & \begin{pmatrix} 0.8 & 0.2 & 0 & 0 \\ 0 & 0.8 & 0 & 0.2 \\ 0.2 & 0 & 0.8 & 0 \\ 0 & 0 & 0.2 & 0.8 \end{pmatrix} \end{matrix}$$

Similarly, the stationary distribution $\pi^{(2)} = (\pi_i^{(2)}, \pi_j^{(2)}, \pi_k^{(2)}, \pi_l^{(2)})'$ for ergodic class \mathcal{E}_2 is given by the solution of the system of equations

$$\begin{aligned} (\pi^{(2)})^T E_2 &= (\pi^{(2)})^T, \\ \pi_i^{(2)} + \pi_j^{(2)} + \pi_k^{(2)} + \pi_l^{(2)} &= 1. \end{aligned}$$

Therefore

$$\pi^{(2)} = \left(\pi_i^{(2)}, \pi_j^{(2)}, \pi_k^{(2)}, \pi_l^{(2)} \right)' = \left(\frac{5}{39}, \frac{20}{39}, \frac{10}{39}, \frac{4}{39} \right)'$$

From eq. (7), the hitting probabilities $h^{(1)} = (h_a^{(1)}, h_b^{(1)}, \dots, h_l^{(1)})$ to class \mathcal{E}_1 are given by the equations

$$\begin{aligned} h_a^{(1)} &= h_b^{(1)} = h_c^{(1)} = 1; \\ h_i^{(1)} &= h_j^{(1)} = h_k^{(1)} = h_l^{(1)} = 0; \end{aligned}$$

$$\begin{aligned} \frac{3}{5}h_d^{(1)} &= \frac{2}{5} + \frac{1}{5}h_f^{(1)}; \\ \frac{2}{5}h_e^{(1)} &= \frac{1}{5} + \frac{1}{5}h_g^{(1)}; \\ \frac{1}{2}h_f^{(1)} &= \frac{3}{10}h_d^{(1)} + \frac{1}{5}h_e^{(1)}; \\ \frac{2}{5}h_g^{(1)} &= \frac{1}{5}h_e^{(1)}, \\ \frac{4}{5}h_h^{(1)} &= \frac{1}{5}h_f^{(1)} + \frac{1}{5}h_g^{(1)}. \end{aligned}$$

Therefore

$$h^{(1)} = \left(1, 1, 1, \frac{17}{18}, \frac{2}{3}, \frac{5}{6}, \frac{1}{3}, \frac{7}{24}, 0, 0, 0, 0 \right).$$

Since there are only two recurrent classes, the hitting probabilities $h^{(2)} = (h_a^{(2)}, h_b^{(2)}, \dots, h_l^{(2)})$ to class \mathcal{E}_2 are given by

$$h^{(2)} = \left(0, 0, 0, \frac{1}{18}, \frac{1}{3}, \frac{1}{6}, \frac{2}{3}, \frac{17}{24}, 1, 1, 1, 1 \right).$$

Replacing the previous quantities and solving the Mixed Integer Linear Programming problem (P3') in R, we obtain Fig. 4 plotting the number of supporters with respect to the budget. In the optimum there are only two agents who receive payments: agent a and agent j . The other agents receive zero. The optimal payments are

Budget	p_a	p_j	Number of supporters
99		99	4
114		114	5
117		117	6
169		169	7
293	113	180	8
309	210	99	12

Number of supporters	Supporters
4	$\{i, j, k, l\}$
5	$\{h, i, j, k, l\}$
6	$\{g, h, i, j, k, l\}$
7	$\{e, g, h, i, j, k, l\}$
8	$\{e, f, g, h, i, j, k, l\}$
12	$\{a, b, c, d, e, f, g, h, i, j, k, l\}$

5 Conclusions

We have studied continuous opinion dynamics with asymmetric confidence. The confidence matrix can be seen as a Markov chain and by decomposing the states between transient and recurrent states, we proved that in the case we have only recurrent states the problem can be reduced to a knapsack problem, and in the presence of transient states, the problem can be reduced to a Mixed-Integer Linear Programming problem. We gave an illustrative example on how to solve this problem.

References

- [1] ACEMOGLU, D., DAHLEH, M. A., LOBEL, I., AND OZDAGLAR, A. Bayesian learning in social networks. *The Review of Economic Studies* 78, 4 (2011), 1201–1236.
- [2] AHO, A. V., HOPCROFT, J. E., AND ULLMAN, J. *Data Structures and Algorithms*, 1st ed. Addison-Wesley Longman Publishing Co., Inc., Boston, MA, USA, 1983.
- [3] DEGROOT, M. H. Reaching a consensus. *Journal of the American Statistical Assoc.* 69 (1974), 118–121.
- [4] DEURMEYER, B. L., AND FRIESEN, D. K. A linear-time algorithm for classifying the states of a finite markov chain. *Operations Research Letters* 2, 6 (1984), 297 – 301.
- [5] DOOB, J. L. *Stochastic Processes*. John Wiley & Sons, New York, 1953.
- [6] FAGNANI, F., AND ZAMPIERI, S. Randomized consensus algorithms over large scale networks. *IEEE Journal on Selected Areas in Communications* 26, 4 (2008), 634–649.
- [7] GHADERI, J., AND SRIKANT, R. Opinion dynamics in social networks with stubborn agents: Equilibrium and convergence rate. *Automatica* 50, 12 (2014), 3209–3215.

- [8] LAWLER, E. L. Fast approximation algorithms for knapsack problems. In *Proceedings of the 18th Annual Symposium on Foundations of Computer Science* (Washington, DC, USA, 1977), SFCS '77, IEEE Computer Society, pp. 206–213.
- [9] NORRIS, J. R. *Markov chains*. Cambridge series in statistical and probabilistic mathematics. Cambridge University Press, 1998.
- [10] YILDIZ, M. E., OZDAGLAR, A. E., ACEMOGLU, D., SABERI, A., AND SCAGLIONE, A. Binary opinion dynamics with stubborn agents. *ACM Trans. Economics and Comput.* 1, 4 (2013), 19.

A Appendix A

Proof of Theorem 1

Proof. Any optimal solution $p = (p_1, p_2, \dots, p_{n_k})$ must be maximal in the sense that

$$\sum_{i \in \mathcal{E}_k} \pi_i^{(k)} \left(\hat{x}_i(0) + \frac{p_i}{c_i} \right) = x^*.$$

Assume without loss of generality that

$$\frac{\pi_j^{(k)}}{c_j} > \frac{\pi_{j+1}^{(k)}}{c_{j+1}} \quad \forall j \in \mathcal{E}_k$$

and let p^* be the optimal solution of (P2). Suppose, by absurdity, that for some $\ell < s$, $p_\ell^* < c_\ell(1 + \hat{x}_\ell(0))$, then we must have $p_q^* > \bar{p}_q$ for at least one item $q \geq s$. Given a sufficiently small $\varepsilon > 0$, we could increase the value of p_ℓ^* by ε and decrease the value of p_q^* by $\varepsilon \frac{\pi_\ell^{(k)}}{c_\ell} \frac{c_q}{\pi_q^{(k)}}$, thus diminishing the value of the objective function by $\varepsilon \left(\frac{\pi_\ell^{(k)}}{c_\ell} \frac{c_q}{\pi_q^{(k)}} - 1 \right) > 0$ which is a contradiction. Similarly, we can prove that $p_\ell^* > 0$ for $\ell > s$ is impossible. Hence $\bar{p}_s = \frac{c_s}{\pi_s^{(k)}} \left(x^* - \sum_{j=1}^{s-1} \pi_j^{(k)} - \sum_{j=s}^{n_k} \pi_j^{(k)} \hat{x}_j(0) \right)$ for maximality. \square

B Appendix B

Proof of Theorem 2

Proof. We first recall the definition of hitting probabilities. Let $(X_n)_{n \geq 0}$ be a Markov chain with transition matrix A . The first hitting time of a subset $\mathcal{E} \subseteq \mathcal{I}$ is the random variable

$$\tau^{\mathcal{E}}(w) = \inf\{n \geq 0 : X_n(w) \in \mathcal{E}\},$$

where we agree that the infimum of the empty set is $+\infty$. The hitting probability starting from i that $(X_n)_{n \geq 0}$ ever hits \mathcal{E} is given by

$$h_i^{\mathcal{E}} = \mathbb{P}_i(\tau^{\mathcal{E}} < +\infty). \quad (9)$$

In order to simplify the notation, we denote the hitting probability of ergodic class k as

$$h_i^{(k)} := h_i^{\mathcal{E}_k}.$$

Under the self-confidence assumption, if $j \in \mathcal{E}_k$ we have that (see e.g. [5], p. 180)

$$\lim_{\ell \rightarrow +\infty} A_{ij}^{\ell} = \rho_i(\mathcal{E}_k) \pi_j^{(k)} \quad (10)$$

where

$$\rho_i(\mathcal{E}_k) = \lim_{n \rightarrow +\infty} \sum_{j \in \mathcal{E}_k} A_{ij}^n.$$

Considering the equivalent Markov chain, we have that

$$\begin{aligned} \rho_i(\mathcal{E}_k) &= \lim_{n \rightarrow +\infty} \sum_{j \in \mathcal{E}_k} \mathbb{P}_i(X_n(w) \in j) \\ &= \lim_{n \rightarrow +\infty} \mathbb{P}_i(X_n(w) \in \mathcal{E}_k). \end{aligned} \quad (11)$$

We have that the following equality of sets

$$\{w : X_n(w) \in \mathcal{E}_k\} = \{w : \tau^{\mathcal{E}_k}(w) \leq n\}. \quad (12)$$

Therefore

$$\begin{aligned} \rho_i(\mathcal{E}_k) &= \lim_{n \rightarrow +\infty} \mathbb{P}_i(X_n(w) \in \mathcal{E}_k) \\ &= \lim_{n \rightarrow +\infty} \mathbb{P}_i(\tau^{\mathcal{E}_k}(w) \leq n) \\ &= \mathbb{P}_i(\tau^{\mathcal{E}_k}(w) < \infty) \\ &= h_i^{(k)} \end{aligned}$$

where the first equality is coming from eq. (11), the second equality from eq. (12), and the last equation from eq. (9). Replacing in eq. (10), if $j \in \mathcal{E}_k$

$$\lim_{\ell \rightarrow +\infty} A_{ij}^{\ell} = h_i^{(k)} \pi_j^{(k)}.$$

Therefore

$$\begin{aligned} x_i(+\infty) &= \lim_{\ell \rightarrow +\infty} x_i(\ell + 1) \\ &= \lim_{\ell \rightarrow +\infty} \sum_{j \in \mathcal{I}} A_{ij}^{\ell} x_j(0) \\ &= \lim_{\ell \rightarrow +\infty} \sum_{j \in \mathcal{F}} A_{ij}^{\ell} x_j(0) + \lim_{\ell \rightarrow +\infty} \sum_{k=1}^m \sum_{j \in \mathcal{E}_k} A_{ij}^{\ell} x_j(0) \\ &= \sum_{k=1}^m \sum_{j \in \mathcal{E}_k} \lim_{\ell \rightarrow +\infty} A_{ij}^{\ell} x_j(0) \\ &= \sum_{k=1}^m h_i^{(k)} \sum_{j \in \mathcal{E}_k} \pi_j^{(k)} x_j(0) \\ &= \sum_{k=1}^m h_i^{(k)} \mathcal{O}_k. \end{aligned}$$

□

Figures

Figure 1: Opinion Dynamics

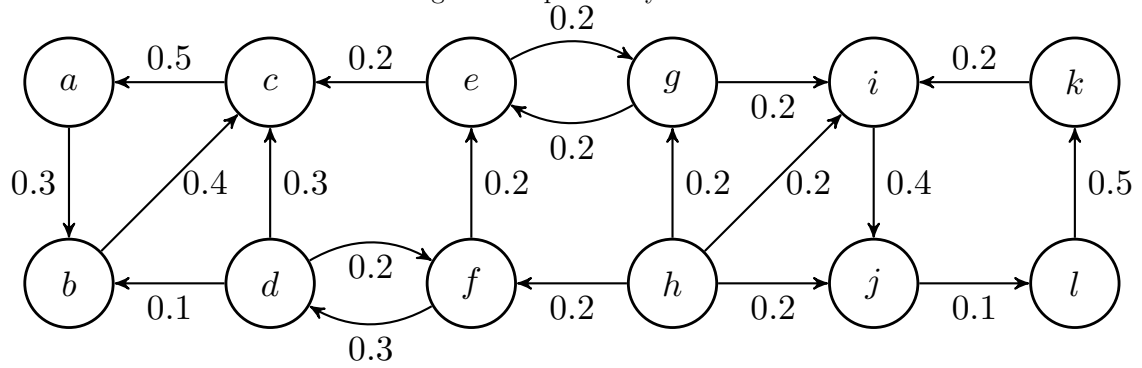


Figure 2: Ergodic class \mathcal{E}_1

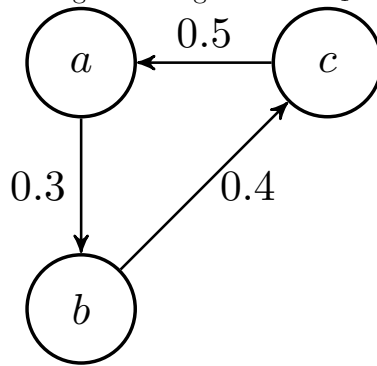


Figure 3: Ergodic class \mathcal{E}_2

