



**HAL**  
open science

## Three-level representation of metabolic networks

Anna Zhukova, David James Sherman

► **To cite this version:**

Anna Zhukova, David James Sherman. Three-level representation of metabolic networks. Journées EDMI, Nov 2014, Bordeaux, France. <hal-01081711>

**HAL Id: hal-01081711**

**<https://inria.hal.science/hal-01081711v1>**

Submitted on 10 Nov 2014

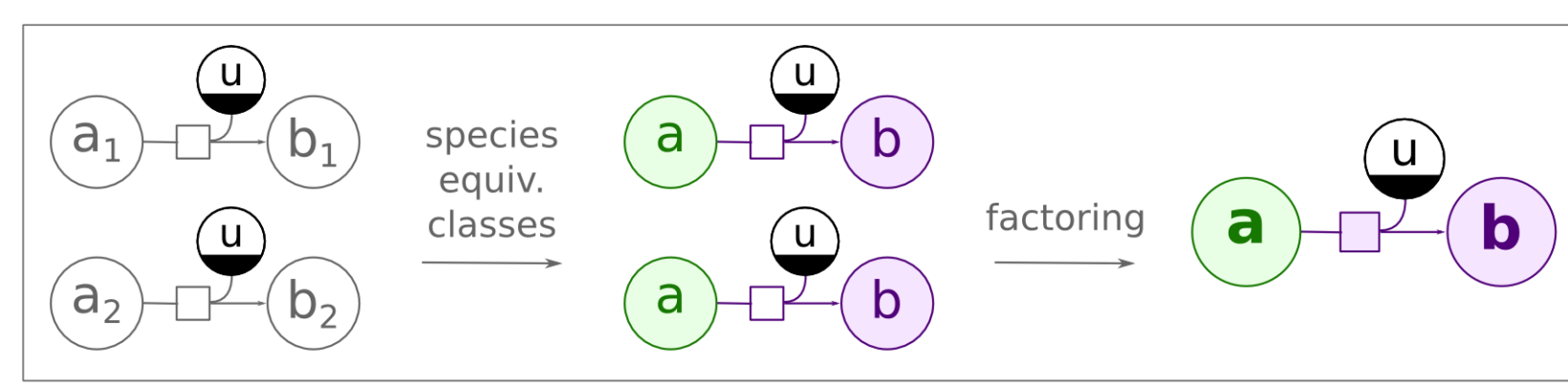
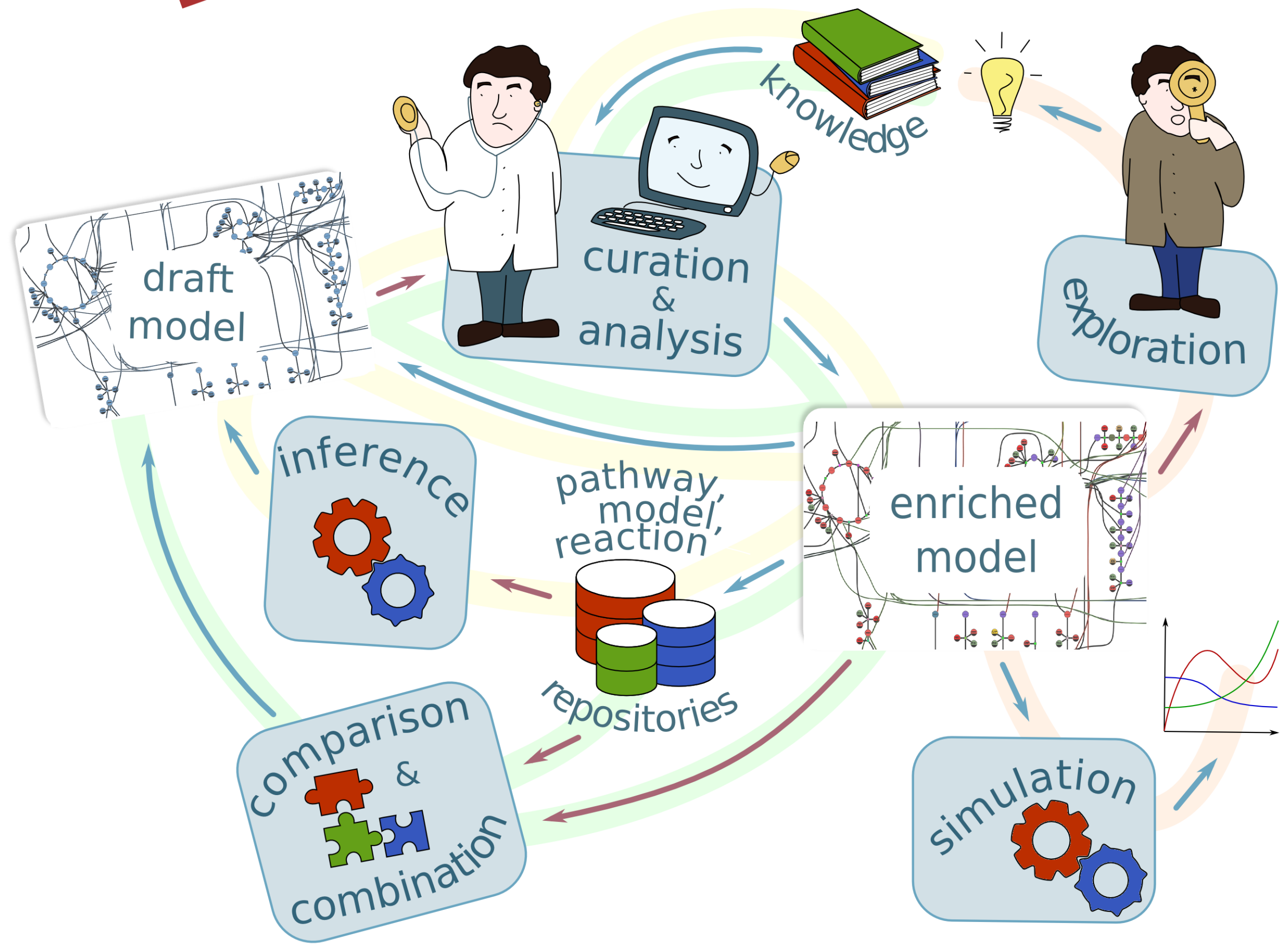
**HAL** is a multi-disciplinary open access archive for the deposit and dissemination of scientific research documents, whether they are published or not. The documents may come from teaching and research institutions in France or abroad, or from public or private research centers.

L'archive ouverte pluridisciplinaire **HAL**, est destinée au dépôt et à la diffusion de documents scientifiques de niveau recherche, publiés ou non, émanant des établissements d'enseignement et de recherche français ou étrangers, des laboratoires publics ou privés.

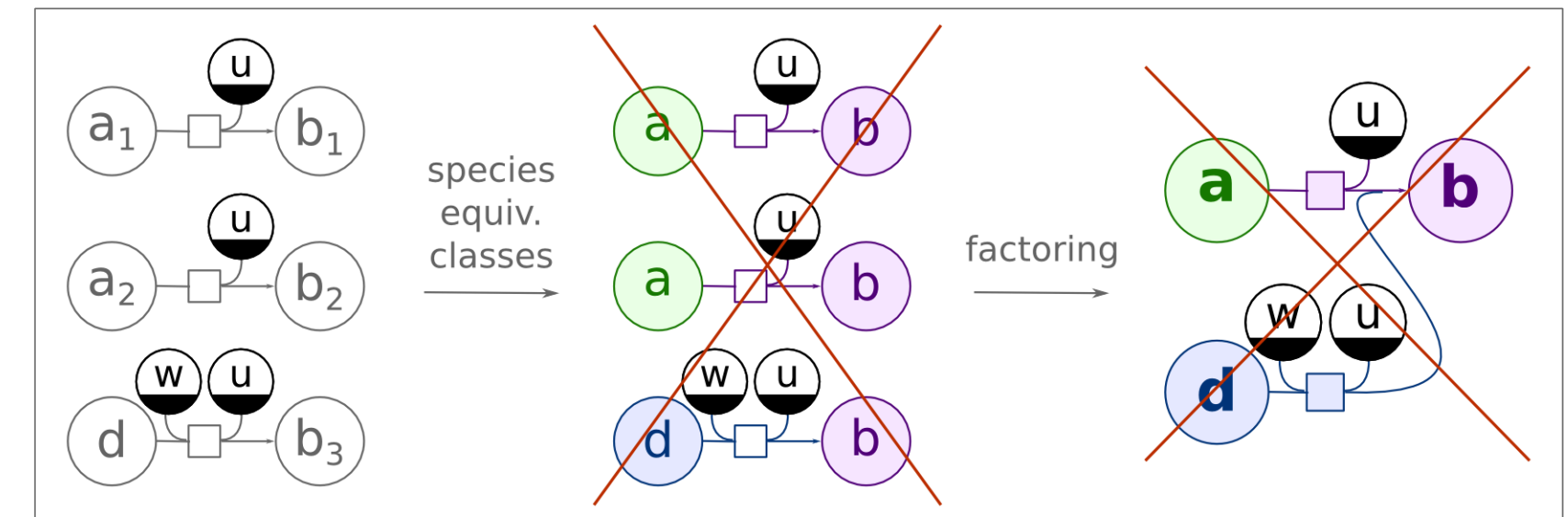
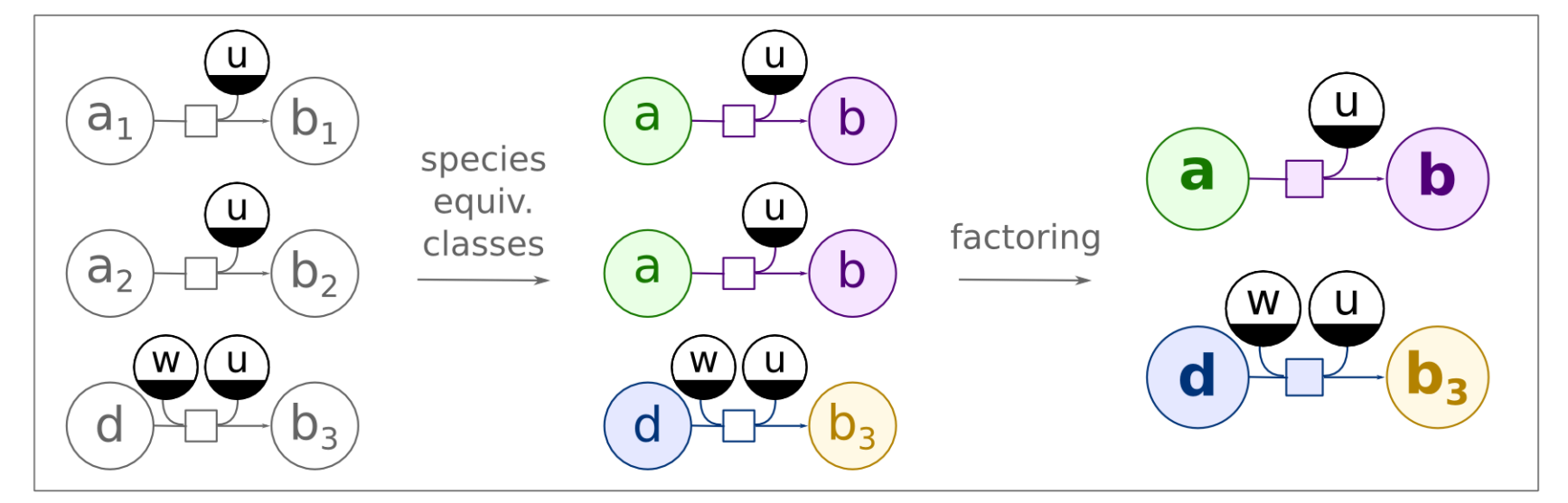
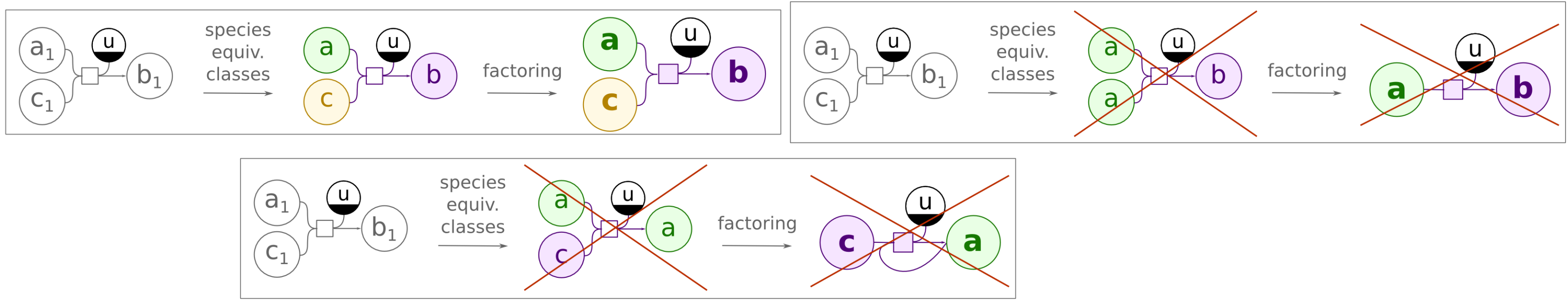


HAL Authorization

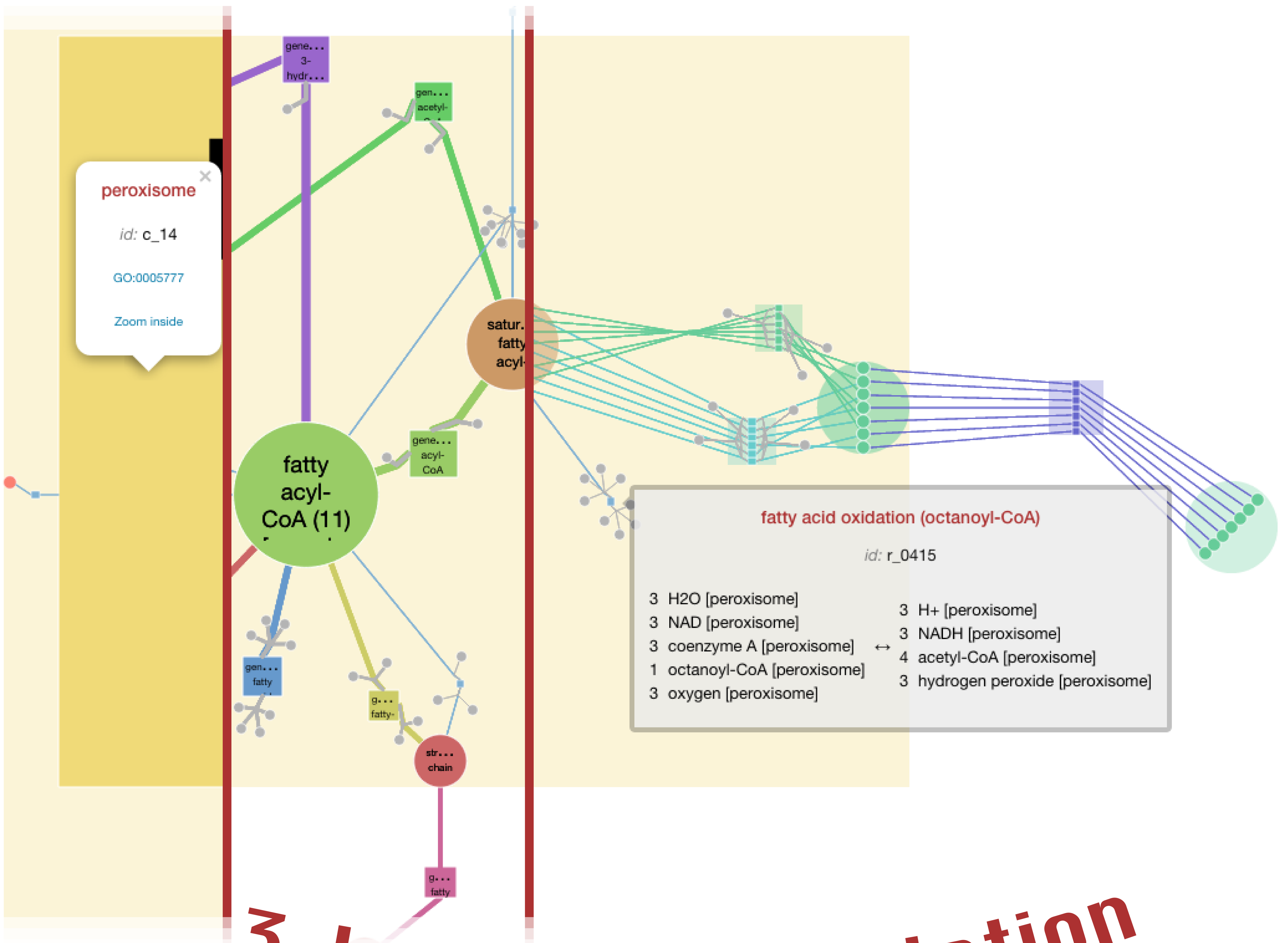
# Why?



# ? Why?



# What?



# 3-level representation of metabolic networks

mimoza.inria.fr

# Where?

Zhukova, A. & Sherman, D. J.  
**Knowledge-based generalization of metabolic models** (2014)  
*J. Comput. Biol.* **21**, 534-47

université de BORDEAUX

anna.zhukova@inria.fr



**Anna Zhukova**  
 supervisor: **David J Sherman**



Inria informatics mathematics



Inria/University of Bordeaux/CNRS  
 joint project-team **MAGNOME**  
 Talence, F-33405, France