



HAL
open science

Auto-Associative models and generalized Principal Component Analysis

Stéphane Girard, Serge Iovleff

► **To cite this version:**

Stéphane Girard, Serge Iovleff. Auto-Associative models and generalized Principal Component Analysis. Workshop on principal manifolds for data cartography and dimension reduction, Aug 2006, Leicester, United Kingdom. hal-00985337

HAL Id: hal-00985337

<https://inria.hal.science/hal-00985337v1>

Submitted on 29 Apr 2014

HAL is a multi-disciplinary open access archive for the deposit and dissemination of scientific research documents, whether they are published or not. The documents may come from teaching and research institutions in France or abroad, or from public or private research centers.

L'archive ouverte pluridisciplinaire **HAL**, est destinée au dépôt et à la diffusion de documents scientifiques de niveau recherche, publiés ou non, émanant des établissements d'enseignement et de recherche français ou étrangers, des laboratoires publics ou privés.

AUTO-ASSOCIATIVE MODELS AND GENERALIZED PRINCIPAL COMPONENT ANALYSIS

Stéphane Girard

* INRIA, Université Grenoble 1

Joint work with Serge Iovleff, Université Lille 1

Outline

1. Principal Component Analysis, 2 points of view,
2. Generalized PCA, theoretical aspects,
3. Implementation aspects,
4. Illustration on simulated datasets,
5. Illustration on real datasets.

1. Principal Component Analysis

- **Background:** Multidimensional data analysis (n observations in a p - dimensional space)
- **Goal:** Dimension reduction.
 - Data visualization (dimension less than 3),
 - To find which variables are important,
 - Compression.
- **Method:** Projection on low d - dimensional linear subspaces.

PCA: Geometrical interpretation

Problem

- Let X be a centered random vector in \mathbb{R}^p .
- Estimate the d -dimensional linear subspace $d \in \{0, \dots, p\}$ minimizing the mean distance to X .
- Minimize with respect to a^1, \dots, a^d (orthonormal):

$$\mathbb{E} \left[\left\| X - \sum_{k=1}^d \langle X, a^k \rangle a^k \right\|^2 \right].$$

Explicit solution

- a^1, \dots, a^d are the eigenvectors associated to the d largest eigenvalues of $\mathbb{E}[X^t X]$, the covariance matrix of X .
- The a^k 's are called principal axes, the $Y^k = \langle X, a^k \rangle$ the principal variables.
- The associated residual is defined by

$$R^d = X - \sum_{k=1}^d \langle X, a^k \rangle a^k,$$

and it can be shown that $\|R^d\| \leq \|R^{d-1}\|$.

PCA: Projection Pursuit interpretation

Equivalent problem

- Estimate the d - dimensional linear subspace $d \in \{0, \dots, p\}$ maximizing the projected variance.
- Maximize iteratively with respect to a^1, \dots, a^d (orthonormal):

$$\text{Var} [\langle X, a^1 \rangle], \dots, \text{Var} [\langle X, a^d \rangle].$$

Algorithm

- For $j = 0$, let $R^0 = X$.

- For $j = 1, \dots, d$:

[A] Estimation of a projection axis.

Determine $a^j = \arg \max_{x \in \mathbb{R}^p} \mathbb{E} \left[\langle x, R^{j-1} \rangle^2 \right]$ such that $\|a^j\| = 1$ and $\langle a^j, a^k \rangle = 0, 1 \leq k < j$.

[P] Projection.

Compute the principal variable $Y^j = \langle a^j, R^{j-1} \rangle$.

[R] Linear regression.

Determine $b^j = \arg \min_{x \in \mathbb{R}^p} \mathbb{E} \left[\|R^{j-1} - Y^j x\|^2 \right]$ such that $\langle b^j, a^j \rangle = 1$ and $\langle b^j, a^k \rangle = 0, 1 \leq k < j$. The solution is $b^j = a^j$, and let the regression function be $s^j(t) = ta^j$.

[U] Residual update.

Compute $R^j = R^{j-1} - s^j(Y^j)$.

Algorithm output. After d iterations, we have the following expansion:

$$X = \sum_{k=1}^d s^k(Y^k) + R^d, \quad (1)$$

with $s^k(t) = ta^k$ and $Y^k = \langle a^k, X \rangle$, or equivalently

$$X = \sum_{k=1}^d \langle a^k, X \rangle a^k + R^d.$$

This equation can be rewritten as

$$F(X) = R^d \quad (2)$$

where we have defined

$$F(x) = x - \sum_{k=1}^d \langle a^k, x \rangle a^k.$$

The equation $F(x) = 0$ defines a d - dimensional linear subspace, spanned by a^1, \dots, a^d . Equation (2) defines a d - dimensional linear auto-associative model for X .

Goals of a generalized PCA

1. To keep an expansion similar to (2):

$$F(X) = R^d,$$

but with a non necessarily linear function F , such that the equation $F(x) = 0$ could model more general subspaces.

2. To keep an expansion “principal variables + residual” similar to (1):

$$X = \sum_{k=1}^d s^k(Y^k) + R^d,$$

but with non necessarily linear functions s^k .

3. To benefit from the “nice” theoretical properties of PCA.
4. To keep a simple iterative algorithm.

2. Generalized PCA, theoretical aspects

We adopt the Projection Pursuit point of view. The steps [A] and [R] are generalized:

[A] Estimation of a projection axis.

Introduction of an index I which measures the quality of the projection axis. For instance:

- Dispersion,
- Deviation from normality,
- Clusters detection,
- Outliers detection,...

[R] Regression.

Estimation of the regression function from \mathbb{R} to \mathbb{R}^p in a given set:

- Linear functions,
- Splines, kernels,...

New algorithm.

- For $j = 0$, let $R^0 = X$.

- For $j = 1, \dots, d$:

[A] Estimation of a projection axis.

Determine $a^j = \arg \max_{x \in \mathbb{R}^p} I(\langle x, R^{j-1} \rangle)$ such that $\|a^j\| = 1$ and $\langle a^j, a^k \rangle = 0$, $1 \leq k < j$.

[P] Projection.

Compute the principal variable $Y^j = \langle a^j, R^{j-1} \rangle$.

[R] Regression.

Determine $s^j = \arg \min_{s \in \mathcal{S}(\mathbb{R}, \mathbb{R}^p)} \mathbb{E} \left[\|R^{j-1} - s(Y^j)\|^2 \right]$ such that $P_{a^j} \circ s^j = \text{Id}_{\mathbb{R}}$ and $P_{a^k} \circ s^j = 0$, $1 \leq k < j$.

[U] Residual update

Compute $R^j = R^{j-1} - s^j(Y^j)$.

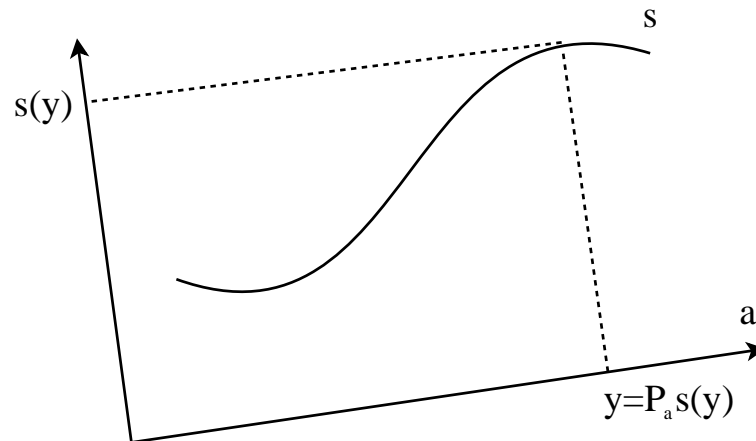
Remark: At the end of iteration j , the residual is given by

$$\begin{aligned}
 R^j &= R^{j-1} - s^j (Y^j) \\
 &= R^{j-1} - s^j (\langle a^j, R^{j-1} \rangle) \\
 &= R^{j-1} - s^j \circ P_{a^j} (R^{j-1}) \\
 &= (\text{Id}_{\mathbb{R}^p} - s^j \circ P_{a^j}) (R^{j-1}) \\
 &= (\text{Id}_{\mathbb{R}^p} - s^j \circ P_{a^j}) \circ (\text{Id}_{\mathbb{R}^p} - s^{j-1} \circ P_{a^{j-1}}) (R^{j-2}) \\
 &= \dots \\
 &= (\text{Id}_{\mathbb{R}^p} - s^j \circ P_{a^j}) \circ \dots \circ (\text{Id}_{\mathbb{R}^p} - s^1 \circ P_{a^1}) (R^0) \\
 &= (\text{Id}_{\mathbb{R}^p} - s^j \circ P_{a^j}) \circ \dots \circ (\text{Id}_{\mathbb{R}^p} - s^1 \circ P_{a^1}) (X).
 \end{aligned}$$

Auto-associative composite model.

Remark: The constraint $P_{a^j} \circ s^j = \text{Id}_{\mathbb{R}}$.

- Natural constraint.



- Important consequence: At the end of iteration j , the residual is given by $R^j = (\text{Id}_{\mathbb{R}^p} - s^j \circ P_{a^j}) (R^{j-1})$, and thus is projection on a^j is

$$\begin{aligned} P_{a^j} R^j &= (P_{a^j} - P_{a^j} \circ s^j \circ P_{a^j}) (R^{j-1}) \\ &= (P_{a^j} - P_{a^j}) (R^{j-1}) \\ &= 0. \end{aligned}$$

Thus, iteration $(j + 1)$ can be performed on the linear subspace orthogonal to (a^1, \dots, a^j) , which is of dimension $(p - j)$.

Goal 1. After d iterations:

- One always has an auto-associative model

$$F(X) = R^d,$$

with

$$F = (\text{Id}_{\mathbb{R}^p} - s^d \circ P_{a^d}) \circ \dots \circ (\text{Id}_{\mathbb{R}^p} - s^1 \circ P_{a^1}) = \prod_{k=d}^1 (\text{Id}_{\mathbb{R}^p} - s^k \circ P_{a^k}),$$

and $P_{a^j}(x) = \langle a^j, x \rangle$.

- The equation $F(x) = 0$ defines a d - dimensional manifold.

Goal 2. After d iterations:

- One always has the expansion “principal variables + residual” similar to (1):

$$X = \sum_{k=1}^d s^k(Y^k) + R^d,$$

and the functions s^k are non necessarily linear.

- For $d = p$, the expansion is exact: $R^p = 0$.
- We can still define principal axes a^k and principal variables Y^k .
- The residuals are centered: $\mathbb{E}[R^k] = 0, k = 0, \dots, d$.

Goal 3. After d iterations, we have:

- Some orthogonality properties

$$\langle a^k, a^j \rangle = 0, \quad 1 \leq k < j \leq d,$$

$$\langle a^k, R^j \rangle = 0, \quad 1 \leq k \leq j \leq d,$$

$$\langle a^k, s^j(Y^j) \rangle = 0, \quad 1 \leq k < j \leq d.$$

- Since the norm of the residuals is decreasing, we can define, similarly to the PCA case, the information ratio represented by the d -dimensional model as

$$Q_d = 1 - \mathbb{E} \left[\|R^d\|^2 \right] / \text{Var} \left[\|X\|^2 \right].$$

One can show that $Q_0 = 0$, $Q_p = 1$ and (Q_d) is increasing.

Remark. Except in particular cases, the non-correlation of the principal variables is lost:

$$\mathbb{E} [Y^k Y^j] \neq 0, \quad 1 \leq k < j \leq d.$$

Goal 4.

- We still have an iterative algorithm. It converges at most in p steps.
- Its complexity depends on the two steps [A] et [R].

[A] Estimation of a projection axis.

Determine $a^j = \arg \max_{x \in \mathbb{R}^p} I(\langle x, R^{j-1} \rangle)$ such that $\|a^j\| = 1$ and $\langle a^j, a^k \rangle = 0$, $1 \leq k < j$.

[R] Regression.

Determine $s^j = \arg \min_{s \in \mathcal{S}(\mathbb{R}, \mathbb{R}^p)} \mathbb{E} \left[\|R^{j-1} - s(Y^j)\|^2 \right]$ such that $P_{a^j} \circ s^j = \text{Id}_{\mathbb{R}}$ and $P_{a^k} \circ s^j = 0$, $1 \leq k < j$.

- Note that the above theoretical properties do not depend on these steps.

3. Implementation aspects, step [A]

- **Contiguity index.** Measure of the neighborhood preservation. Points which are neighbor in \mathbb{R}^p should stay neighbor on the axis.

$$I(\langle x, R^{j-1} \rangle) = \frac{\sum_{i=1}^n \langle x, R_i^{j-1} \rangle^2}{\sum_{k=1}^n \sum_{\ell=1}^n m_{k\ell} \langle x, R_k^{j-1} - R_\ell^{j-1} \rangle^2},$$

where $M = (m_{k\ell})$ is the contiguity matrix defined by $m_{k\ell} = 1$ if R_ℓ^{j-1} is the closest neighbor of R_k^{j-1} , $m_{k\ell} = 0$ otherwise.

- **Optimization.** Explicit solution.

[A] a^j is the eigenvector associated to the largest eigenvalue of $V_j^* V_j^{-1}$, where

$$V_j = \sum_{k=1}^n {}^t R_k^{j-1} R_k^{j-1}, \quad V_j^* = \sum_{k=1}^n \sum_{\ell=1}^n m_{k\ell} {}^t (R_k^{j-1} - R_\ell^{j-1}) (R_k^{j-1} - R_\ell^{j-1})$$

are proportional to the covariance and local covariance matrices of R^{j-1} .

Implementation aspects, step [R]

- **Set of L^2 functions.** The regression step reduces to estimating the conditional expectation:

$$[R] \quad s^j(Y_j) = \mathbb{E} [R^{j-1} | Y_j].$$

- **Estimation of the conditional expectation.**

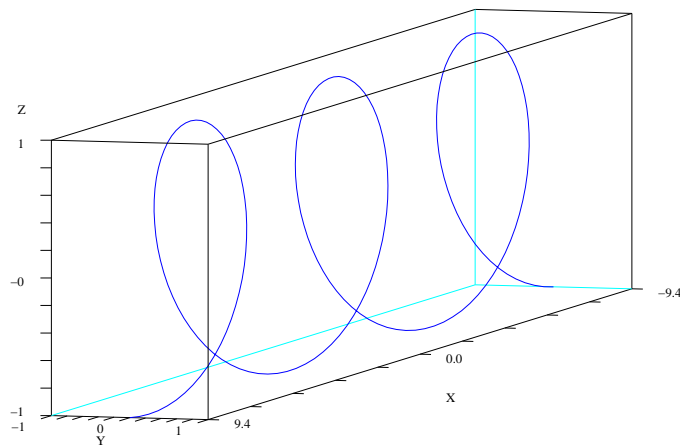
- Classical problem since the constraints $P_{a^j} \circ s^j = \text{Id}$ and $P_{a^k} \circ s^j = \text{Id}$, $1 \leq k < j$ are easily taken into account in the a^k 's basis. Step [R] reduces to $(p - j)$ independent regressions from \mathbb{R} to \mathbb{R} .
- Numerous estimates are available: splines, local polynomials, kernel estimates, ...
- For instance, for the coordinate $k \in \{j + 1, \dots, p\}$, the kernel estimate of $s^j(u)$ can be written as

$$\tilde{s}_k^j(u) = \frac{\sum_{i=1}^n \tilde{R}_{i,k}^{j-1} K_h(u - Y_i^j)}{\sum_{i=1}^n K_h(u - Y_i^j)},$$

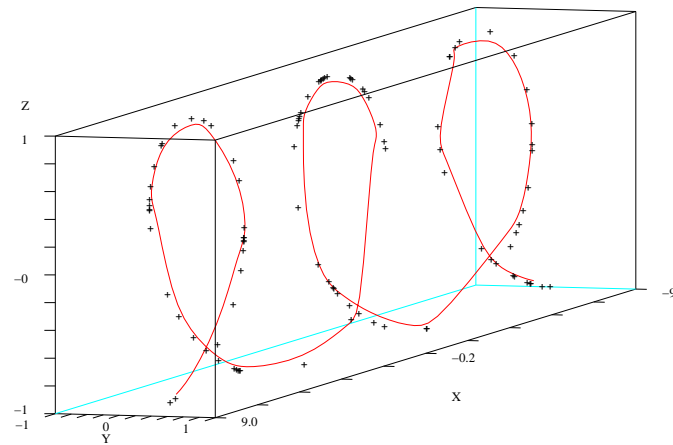
where h is a smoothing parameter (the bandwidth).

4. First illustration on a simulated dataset

- $n = 100$ points in \mathbb{R}^3 randomly chosen on the curve $x \rightarrow (x, \sin x, \cos x)$.
- One iteration $h = 0.3 \rightarrow Q_1 = 99.97\%$.



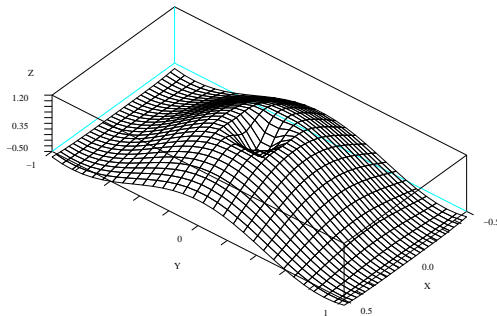
Theoretical curve



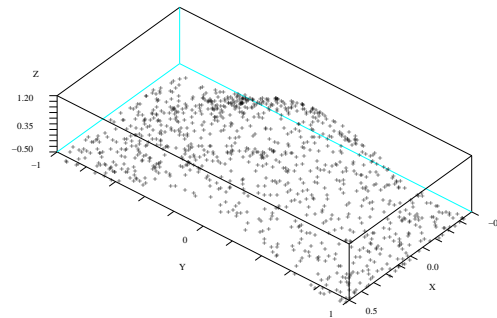
Estimated 1– dimensional manifold

Second illustration on a simulated dataset

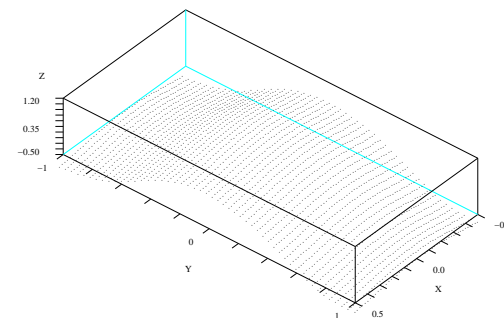
- $n = 1000$ points in \mathbb{R}^3 randomly chosen on the surface
 $(x, y) \rightarrow (x, y, \cos(\pi\sqrt{x^2 + y^2})(1 - \exp\{-64(x^2 + y^2)\}))$.
- Two iterations: $Q_1 = 84.1\%$ et $Q_2 = 97.6\%$.



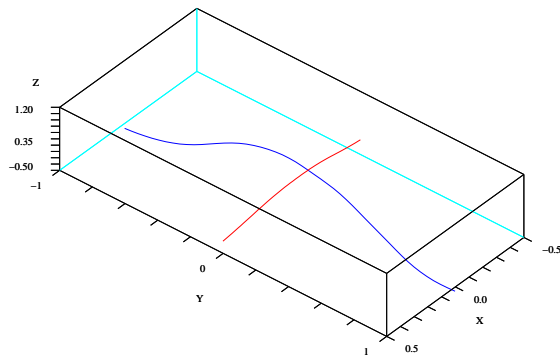
Theoretical surface



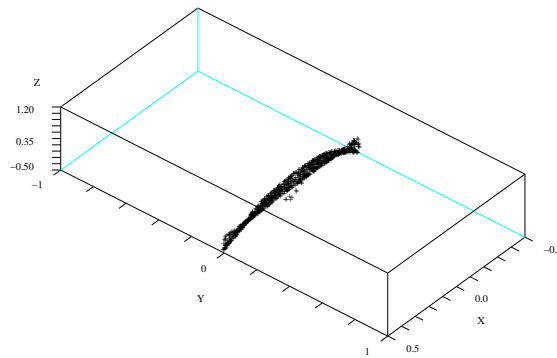
Simulated points



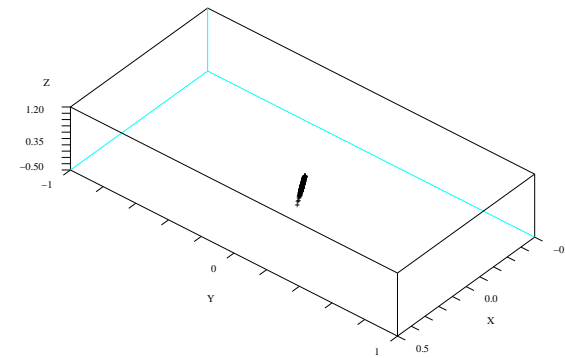
Estimated 2– dimensional manifold



s^1 (blue) and s^2 (red)



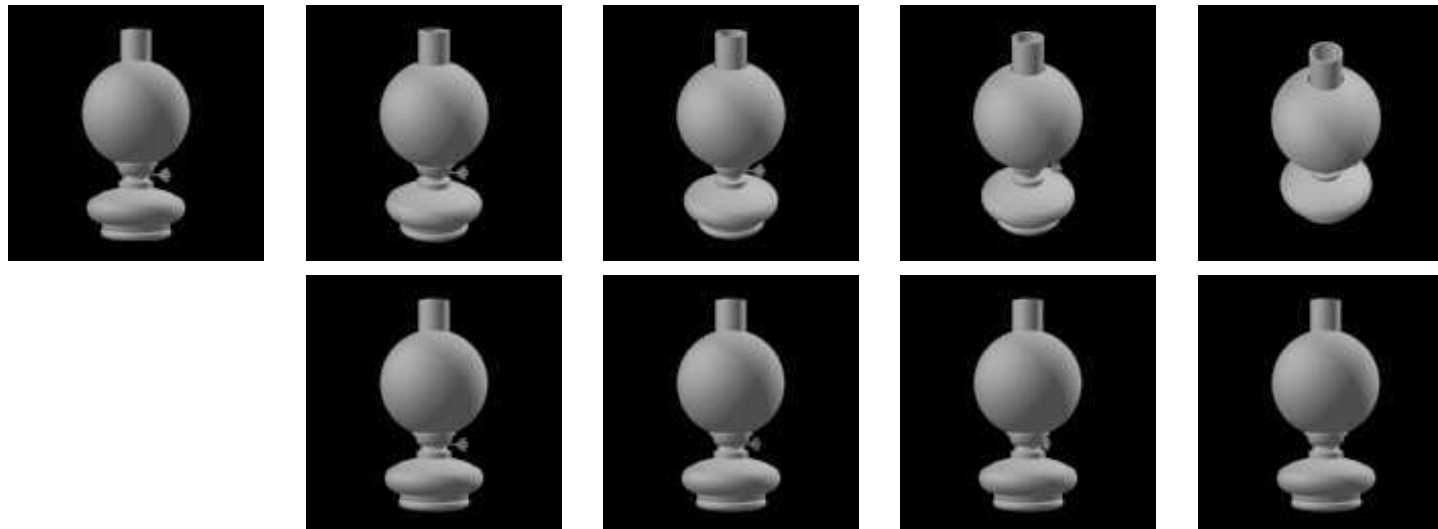
Residuals R_i^1



Residuals R_i^2

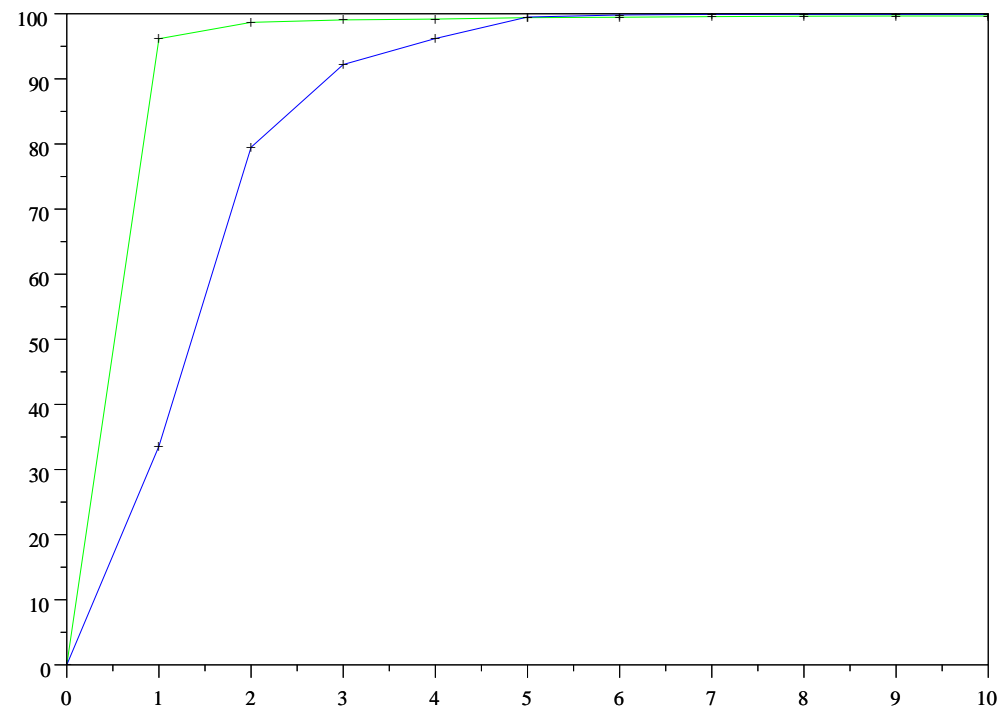
5. First illustration on a real dataset

- Set of $n = 45$ images of size 256×256 .

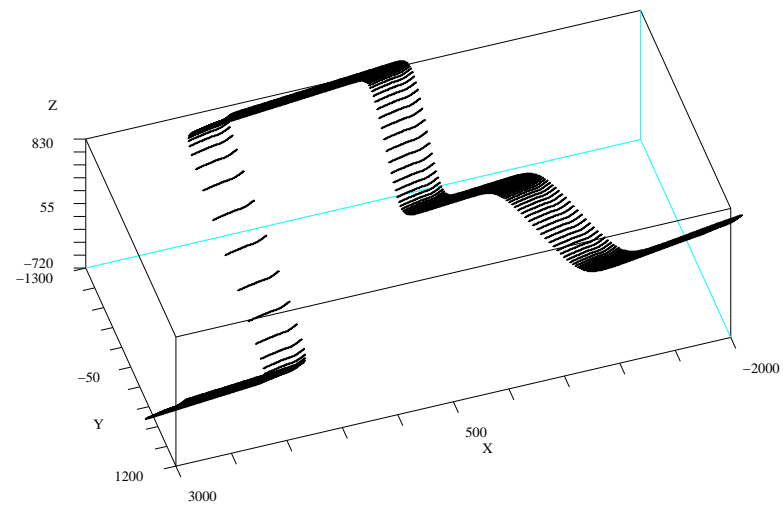
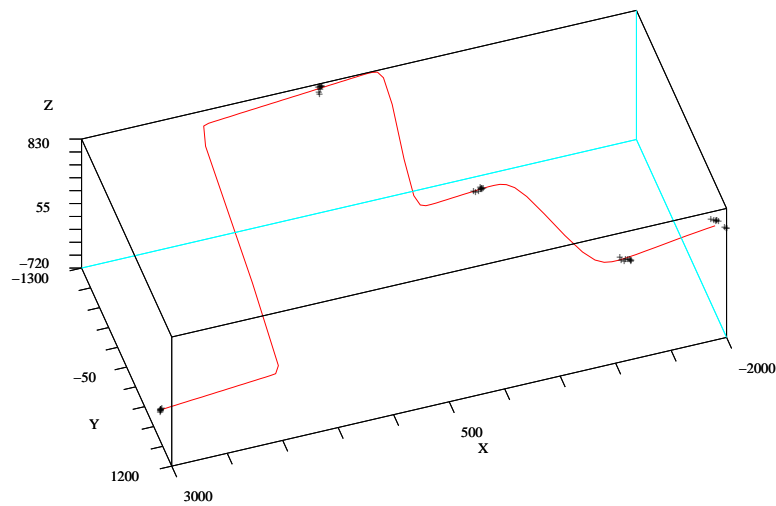


- Interpretation : $n = 45$ points in dimension $p = 256^2$.
- Rotation : $n = 45$ points in dimension $p = 44$.

- Information ratio Q_d as a function of d (blue: classical PCA, green: generalized PCA).

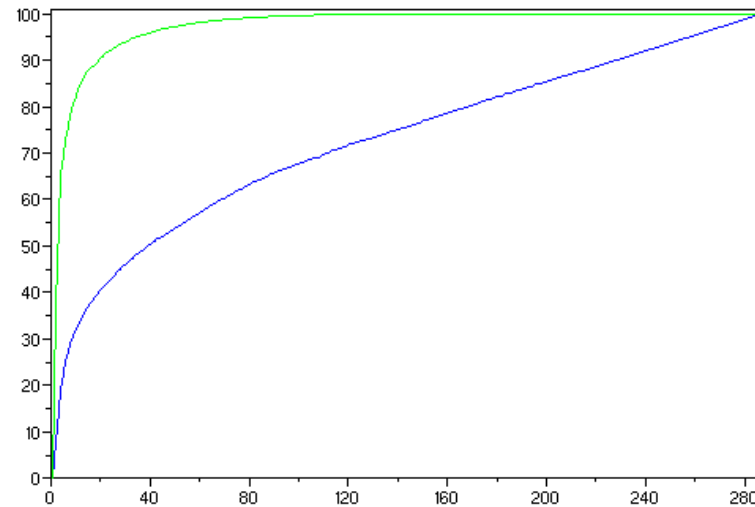


- Projection on the 3 first PCA axes of the estimated manifolds (dimension 1 & dimension 2).

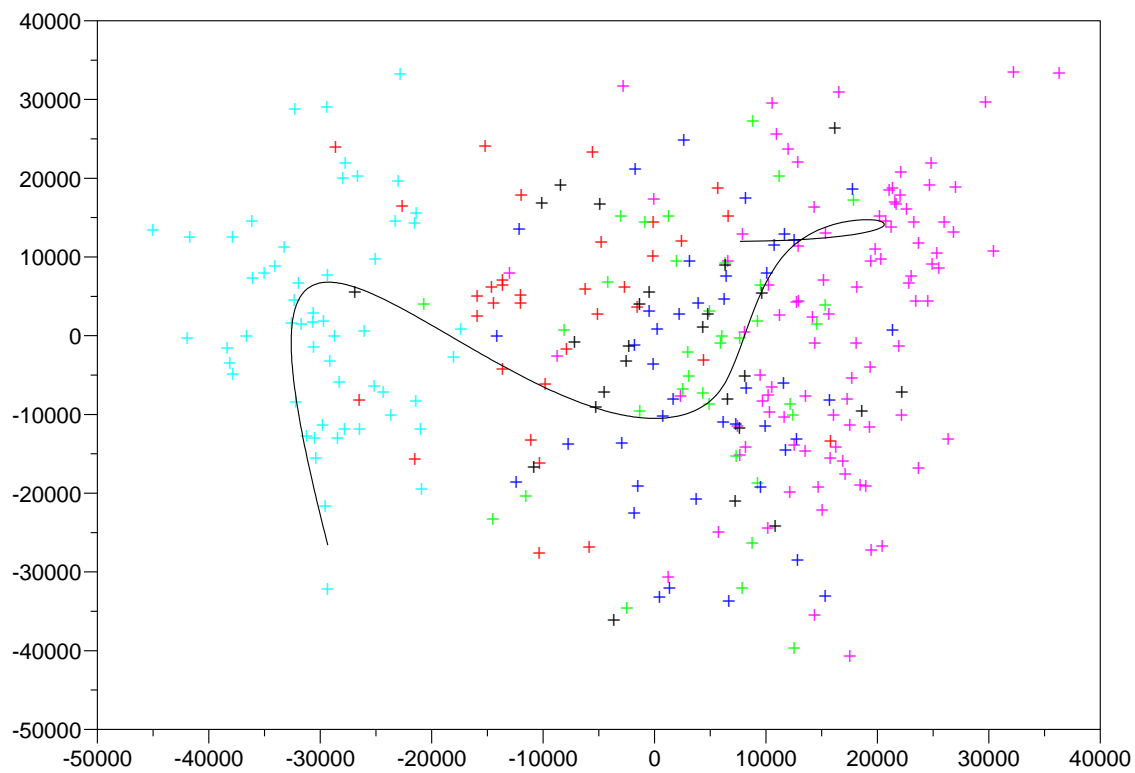


Second illustration on a real dataset

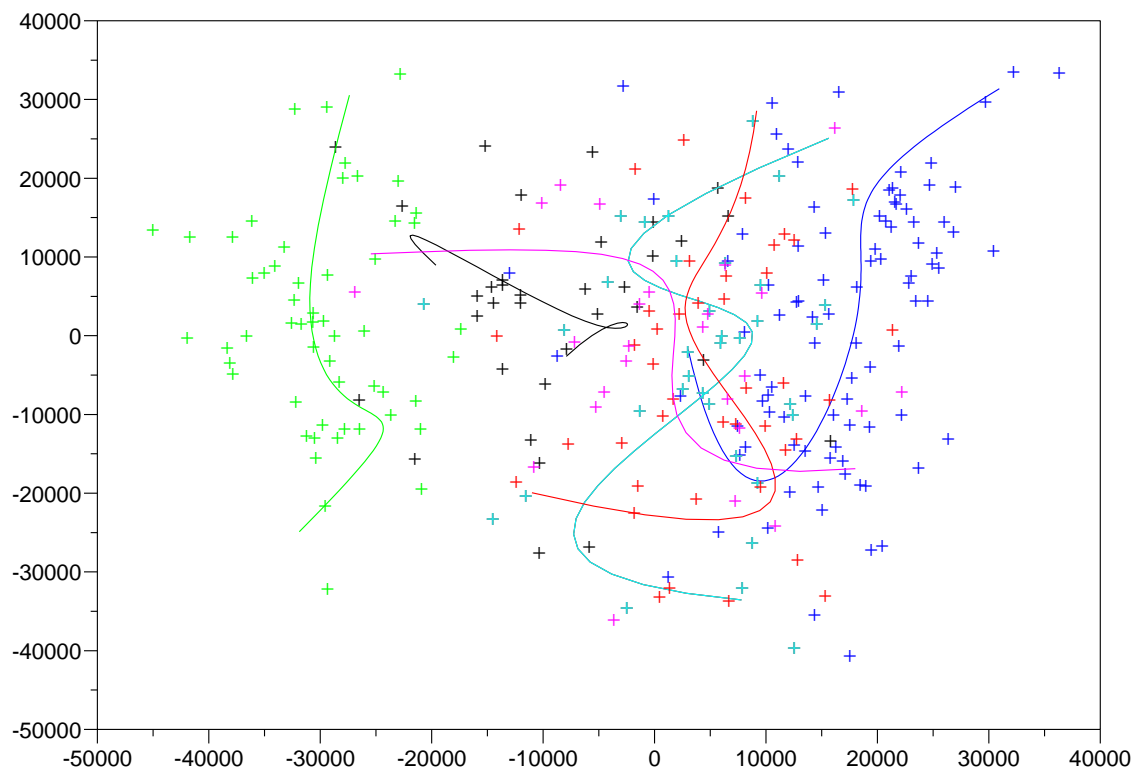
- Dataset I, five types of breast cancer.
- Set of $n = 286$ samples in dimension $p = 17816$.
- Rotation : $n = 286$ points in dimension $p = 285$.
- Forgetting the labels, information ratio Q_d as a function of d (blue: classical PCA, green: generalized PCA).



Estimated 1– dimensional manifold projected on the principal plane.



Estimated 1– dimensional manifolds projected on the principal plane, for each type of cancer.



References

- S. Girard and S. Iovleff. Auto-associative models, nonlinear Principal component analysis, manifolds and projection pursuit. In A. Gorban et al (eds) *Principal Manifolds for Data Visualisation and Dimension Reduction*, vol. 28, p. 205–222, LNCSE, Springer-Verlag, 2007.
- S. Girard and S. Iovleff. Auto-Associative Models and Generalized Principal Component Analysis, *Journal of Multivariate Analysis*, 93, 21–39, 2005.
- S. Girard. A nonlinear PCA based on manifold approximation, *Computational Statistics*, 15, 145–167, 2000.
- B. Chalmond and S. Girard. Nonlinear modeling of scattered multivariate data and its application to shape change, *IEEE Pattern Analysis and Machine Intelligence*, 21, 422–432, 1999.
- S. Girard, B. Chalmond and J-M. Dinten. Position of principal component analysis among auto-associative composite models, *Comptes-Rendus de l'Académie des Sciences*, t. 326, Série I, 763–768, 1998.
- S. Girard, B. Chalmond and J-M. Dinten. Designing non linear models for flexible curves. In *Curves and Surfaces with Application in CAGD*, A. Le Méhauté, C. Rabut, and L.L. Schumaker (eds.), 135–142, 1997.