



**HAL**  
open science

## Template-based geometric transformations of a functionally enriched DMU into FE assembly models

Flavien Boussuge, Ahmad Shahwan, Jean-Claude Léon, Stefanie Hahmann, Gilles Foucault, Lionel Fine

### ► To cite this version:

Flavien Boussuge, Ahmad Shahwan, Jean-Claude Léon, Stefanie Hahmann, Gilles Foucault, et al.. Template-based geometric transformations of a functionally enriched DMU into FE assembly models. Computer-Aided Design and Applications, 2014, 11 (4), pp.436-449. 10.1080/16864360.2014.881187 . hal-00922880v1

**HAL Id: hal-00922880**

**<https://inria.hal.science/hal-00922880v1>**

Submitted on 31 Dec 2013 (v1), last revised 10 Oct 2014 (v2)

**HAL** is a multi-disciplinary open access archive for the deposit and dissemination of scientific research documents, whether they are published or not. The documents may come from teaching and research institutions in France or abroad, or from public or private research centers.

L'archive ouverte pluridisciplinaire **HAL**, est destinée au dépôt et à la diffusion de documents scientifiques de niveau recherche, publiés ou non, émanant des établissements d'enseignement et de recherche français ou étrangers, des laboratoires publics ou privés.



## Template-based geometric transformations of a functionally enriched DMU into FE assembly models

Flavien. Boussuge<sup>1,2</sup>, Ahmad. Shahwan<sup>2</sup>, Jean-Claude. Léon<sup>2</sup>, Stefanie. Hahmann<sup>2</sup>, Gilles. Foucault<sup>2</sup> and Lionel. Fine<sup>1</sup>

<sup>1</sup>EADS - Innovation Works, flavien.boussuge@eads.net, lionel.fine@eads.net

<sup>2</sup>Grenoble University/INRIA, ahmad.shahwan@grenoble-inp.fr, jean-claude.leon@grenoble-inp.fr, stefanie.hahmann@inria.fr, gilles.foucault@ujf-grenoble.fr

### ABSTRACT

Pre-processing of CAD models derived from Digital Mock-Ups (DMUs) into finite element (FE) models is usually completed after many tedious tasks of model preparation and shape transformations. It is highly valuable for simulation engineers to automate time-consuming sequences of assembly preparation processes. Here, it is proposed to use an enriched DMU with geometric interfaces between components (contacts and interferences) and functional properties. Then, the key concept of template-based transformation can connect to assembly functions to locate consistent sets of components in the DMU. Subsequently, sets of shape transformations feed the template content to adapt components to FE requirements. To precisely monitor the friction areas and the mesh around bolts, the template creates sub-domains into their tightened components and preserves the consistency of geometric interfaces for the mesh generation purposes. From a user-selected assembly function, the method is able to robustly identify, locate and transform groups of components while preserving the consistency of the assembly needed for FE models. To enlarge the scope of the template in the assembly function taxonomy, it is shown how the concept of dependent function enforces the geometric and functional consistency of the transformed assembly. To demonstrate the proposed approach, a business oriented prototype processes bolted junctions of aeronautical structures.

**Keywords:** Assembly, DMU, CAD - CAE integration, Functional information.

**DOI:** 10.3722/cadaps.2013.xxx-yyy

## 1 INTRODUCTION

To speed up a product development process (PDP), aeronautical, automotive and other companies face increasing needs in setting up finite element (FE) simulations of large sub-structures of their products. The challenge is to study not only standalone components but to simulate the structural behavior of large assembly structures containing up to thousands of components [9]. Digital Mock-Ups (DMUs) are widely used during a PDP as the virtual geometric product reference. This model contains detailed 3D representation of the whole product structure available for simulation engineers. To prepare large sub-structure models for simulation (such as wings or aircraft fuselage section); the DMU offers a complete

geometric input model. However, speeding up the simulation model generation strongly relies on the time required to perform the geometric transformations needed to adapt the DMU to FE requirements.

Currently, time and human resources involved in pre-processing CAD models derived from DMUs into FE models prevent engineers from setting up structural analyses. Very tedious tasks are required to process the large amount of DMU components and the connections between them. The shape transformations required for each assembly component, and interactively performed by engineers, can cover defeaturing [15, 35], idealization [5, 6], domain decomposition [28, 30] as well as the definition of contact areas. Even on repetitive configurations such as junctions, similar geometric transformations must be repeated on all the components and interfaces of all the assembly junctions. Aeronautical structures are particularly complex to transform due to their many independent connectors such as bolts or rivets (see Fig.1). Consequently, within the available resources and time scale planned in an industrial PDP, the analyst is limited to simulate small models rather than complete assembly structures.

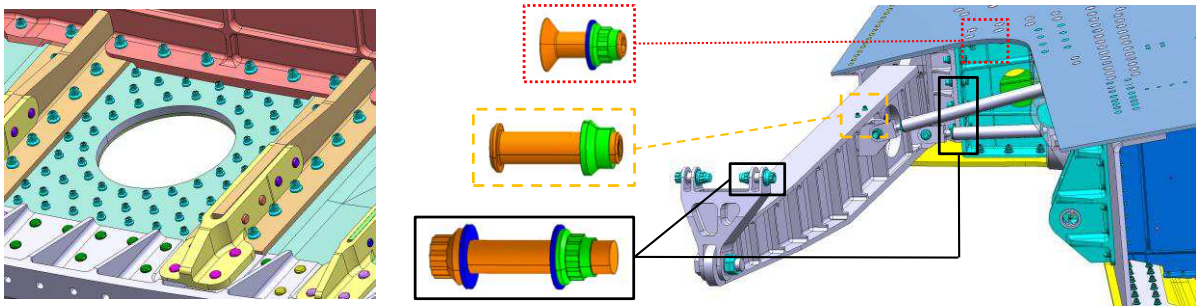


Fig. 1: Examples of aeronautical DMUs with a variety of bolted junctions.

Compared to standalone components, the above observations highlight the prominence of geometric interfaces processing when preparing an assembly model for FEA. Their mechanical behavior and the new shape transformations they convey are specific features of assemblies [9]. As described in [34], component's geometric interfaces are the basis of component's functional designation. Effectively, to speed up the transformation of a DMU into a FE model, the engineer would process the components in accordance to their mechanical effect in the assembly, i.e. their function. Consequently, the relationship between FE simulation hypotheses, component's functions and component's interfaces appears as a key issue to improve the efficiency of DMU transformation for FEA. Indeed, setting up a FEA aims at studying the mechanical behavior of an assembly. Function, behavior and shape share strong connections, as studied by Gero [17, 18] and Albers [1, 2] among others, hence the aforementioned example of the FE preparation process contributing to the representation of bolted connections in an aeronautical assembly.

In this paper, we propose an approach to reduce the FE model preparation time to adapt CAD assembly models derived from DMUs, into FE assembly models. Based on the analysis of DMU transformation requirements for FE assembly model preparation [9], the method uses an enriched DMU as input. It is obtained from previous developments and contains explicit geometric interfaces between components (contacts and interferences) as well as their functional designations. This last step is achieved using a qualitative reasoning process. From this enriched model, it is shown that further enrichment is needed to reach a level of product functions where simulation objectives can be used to specify new geometric operators that can be robustly applied to automate components' and interfaces' shape transformations during an assembly preparation process for FEA.

To prove the validity of our approach and the methodology proposed in [4-9], this paper presents a template-based operator dedicated to automate shape transformations of bolted junctions. Using the functional information and geometric interfaces, the operator applies a user-defined template to simplify bolts and sets control sub-domains around them in their associated tightened components to enable the description of the friction phenomenon between these components. This template is used

to precisely monitor the meshing process while preserving the consistency of contacts and adapting the assembly model to simulation objectives.

The rest of the paper is organized as follows. In Section 2, we review the CAD-CAE integration research for FEM assembly models. Section 3 reviews the method to enrich the DMU with geometric interfaces between components and functional designations of components. New requirements are introduced to connect functional designations with functions. Section 4, describes the concept of template-based transformation operator and illustrates it with a template-based operator of bolted junctions transformation. Finally, the paper presents the result of this operator on an industrial aeronautical use-case and section 5 exemplifies an extension of the template definition with idealization transformations.

## 2 RELATED WORK

Assembly models have been studied throughout the development of solid modeling concepts. Essentially, assembly models have been proposed for design and manufacture applications [29-32] with recent applications to collaborative design. With the development of features, approaches set assemblies as components related to each other through geometric constraints [38]. These approaches share a common denominator where assemblies are described as geometric models progressively enriched with technological and then, functional data [14]. However, the closer the functional information, the higher is the requirement to obtain external information to CAD environments and the greater is the need of user's interactions during a design process. Though these additional informations are mandatory in a design process, it does not seem efficient to incorporate them into a preparation process for FE simulation when time reduction is critical to insert simulations into a PDP. If these informations were available at the level of FE simulation, a dedicated approach could be set up to process them but companies are currently not able to set up a digital representation of these data that is connected to the DMUs they produce with CAD systems. Within this framework, Roy and Bharadwaj [31] set up a design approach to connect functions to 3D geometry using a Part Function Model (PFM). There, they address the relationships between function, behavior and geometry of a part in a top-down manner from function to geometry to obtain parts from functional specifications. The PFM described requires up to low level functions that connect part boundary faces to function since the behavior model builds up on interfaces between parts, i.e. contact surfaces to position parts with respect to each other. At the level of complex assemblies with hundreds to thousands of parts, adding the amount of complementary data defining such a behavioral model becomes too tedious. Recent approaches [24] reduce the description of junctions between components to global parameters describing bolted and riveted connections without referring to the individual surfaces of each bolt or rivet. This fits well with a design process but simulation objectives may require a detailed representation of interfaces when the purpose is to assess the stress field distribution in a bolted connection with tens or hundreds of bolts.

Developments of ontology-based approaches take advantage of new capabilities to structure concepts and to connect them with component models [25, 29] or at the level of 3D geometry entities [7-19]. Some of these approaches have been applied to assemblies [7, 22, 29] and can take advantage of reasoners to set up inference rules to ensure the consistency of the assembly description or extract information that is not readily available in the dataset describing an assembly. In [22, 29], there is no direct connection between the ontology content and the 3D model of components. Here, ontologies support a design process where the engineer gets consistent information in a collaborative context but the ontology does not connect to boundary entities of component geometric models. Barbeau et al. [7] cover a larger description of a product with an ontological description incorporating the geometry and structure levels as available through STEP APIs [20, 21], up to the functional description that can be inserted through ontological representation of the Core Product Model (CPM) [16]. The authors showed that not all concepts of STEP could be rigorously expressed using OWL standard [27] leading to limitations in detecting inconsistencies. If CPM is able to relate component functions to form features, the content of the CPM reflects the designers' choices to determine the level of product features inserted in this model and its level of connection with each component's geometry. Consequently, there is no guarantee that functional information can be available downward to the level of B-Rep

entities of each component. Reasoning capabilities associated with ontologies are set up to browse the whole assembly ontology but they are not applied to derive new functional information or reinforce the connection between function and geometry in an assembly model. Consequently, we can observe that assembly processing is often addressed in a design context of top-down approach from primary product function point of view and there is no low level robust connection between components' geometry and low level functions. Additionally, the reasoning capabilities of ontology-based approaches are exploited to browse existing assembly data and derive data not readily available. These reasoning processes do not extend further than relative positioning constraints between components. Recently, Shahwan et al. [34] inserted a qualitative reasoning process that can relate geometric interfaces up to the functional designation of components, thus creating a robust and automated connection between 3D geometric entities and functional designations of components. It is a bottom-up approach that fits to our current requirements.

Research in CAD-CAE integration has mainly focused on the use of global geometric transformations of standalone CAD components [35]. Few contributions addressed the automation of assembly pre-processing. Automatic simplifications of assembly for collaborative environment as the multi-resolution approach of Kim [23] or surface simplification of Andujar [3] transform assembly components independently of each other. This is not sufficient to pre-process FE assembly models because mechanical joints and interfaces tightening the different components must be part of their pre-processing. Commercial software proposes to automatically detect geometric interfaces between assembly components. However, their algorithms use a global proximity tolerance to find face pairs of components and they don't produce explicitly the geometric model of their contact area. In the assembly simplification method of Russ et al. [33], the authors propose to set components dependencies to remove groups of components having no influence on a simulation or to replace them by defeatured equivalent ones. However, the parent/child relationships created from constraint placement of components do not guarantee to obtain the entire neighborhood of a component because these constraints are not necessarily related to the components' geometric interfaces. In addition, DMUs don't contain components' location constraints when assemblies are complex, as occurring in the automotive and aeronautic industries, to ease design modifications during a PDP. Moreover, part naming identification used in this approach is not sufficient because it locates only individual components contained in the assembly without establishing relations with their adjacent components and their associate geometric model, i.e. replacing a bolted junction by an idealized fastener implies simplifying its nut, its screw as well as the hole connected to them in the tightened components. To provide mesh domains connectivity, Lou [26] and Choudria [10] proposes to identify and re-mesh contact interfaces. Quadros [28] establishes sizing functions to control assembly meshes. However, these methods are used directly on already meshed models, which addresses specific PDP configurations where CAD models are not readily available. Clark [11] detects interfaces in CAD assemblies to create non-manifold models before mesh generation but does not consider the interactions between interfaces and components' shapes transformation processes. In [9], we underline that if a component is simplified or idealized, its shape transformation has an influence on the transformation of its neighbors, e.g. a component idealized as a punctual mass impacts its neighboring component interfaces.

Indeed, to adapt an assembly to FEA requirements, geometric transformations derive from simulation objectives and components' functions are needed to geometrically transform groups of components. It is also critical to structure the geometric models of components so that their shape transformations can preserve the DMU consistency [9]. We propose an approach where a DMU is enriched with geometric interfaces between its components, i.e. contacts and interferences, and functional properties. From this enriched model, simulation objectives can be used to specify geometric operators that can be robustly applied to automate components and interfaces shape transformations during an assembly preparation process.

### 3 DMU ENRICHMENT WITH FUNCTIONAL INFORMATION

#### 3.1 From a component geometry to its functional designation

The principle of DMU functional enrichment can be summarized with the process flow shown on Fig. 2. Its detailed description can be found in [34]. The focus is placed on this approach because, to the authors' knowledge, Shahwan's approach can automatically produce a functionally enriched DMU from a pure geometric input model, which is the reliable input data addressed here.

Fig. 2 starts from the STEP [20, 21] representation of an assembly model with the extraction of geometric interfaces between components. Two categories of interfaces are addressed: contacts (surface and line ones) and interferences. The latter originates from the conventional representations of components, e.g. a screw is represented with a threaded part defined as a cylinder whose diameter equals the outer diameter of the thread and its nut is represented with a threaded part defined as a cylinder whose diameter equals an inner diameter of the thread; this produces a geometric interference between these components. At this stage, each component boundary gets modified to incorporate the imprints of its neighboring components through contacts and interferences. The geometric interfaces feed instances of '*conventional interfaces*' (CI) classes structured into a taxonomy,  $\mathcal{T}_{CI}$ , that binds geometric and symbolic data, e.g. planar contact, spherical partial contact, cylindrical interference, ... Simultaneously, CIs and assembly components are organized into a CI graph: CIG(C, I) where the components C are nodes and CIs I are arcs.

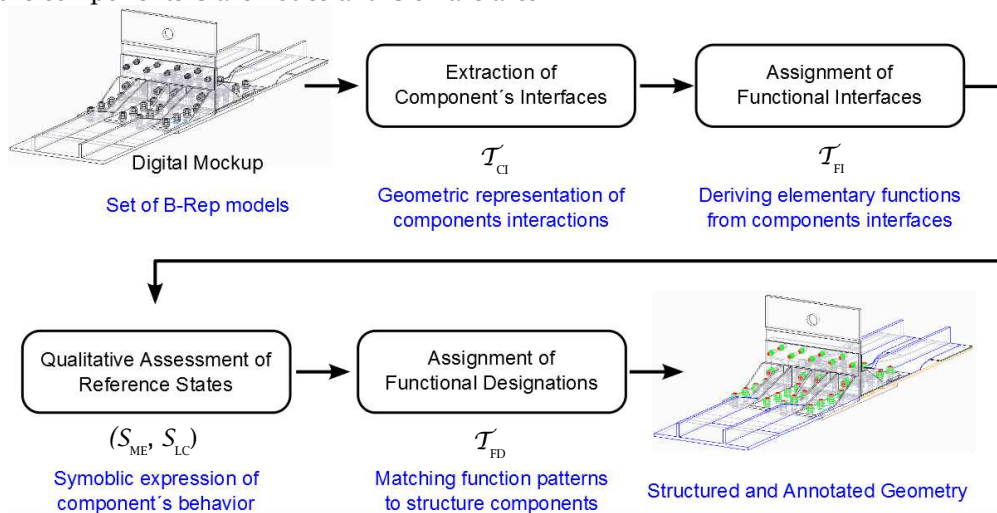


Fig. 2: Process flow to enrich a DMU with functional designations of components and their associated structured geometric models.

Then, instances of functional interfaces (FI) are derived from CI ones, possibly with multiple instances of FIs originating from a single instance of CI, e.g. a cylindrical contact can become either a cylindrical loose fit or cylindrical tight fit but a planar contact becomes only a planar support. Instances of FIs fit also into a taxonomy  $\mathcal{T}_{FI}$ . Now, the duality between geometry and interaction forces is used to derive mechanical parameters, i.e. screws (resulting force, resulting moment), from each instance of FI. These parameters are expressed qualitatively and feed symbolic behaviors of the assembly in order to take advantage of the shape, behavior, function relationship [1, 2, 17, 18]. Assembly behaviors are characterized by reference states and aim at reducing a single FI instance per CI instance. Here, two reference states are of interest: the mechanical equilibrium reference state,  $S_{ME}$ , and the static load cycle one,  $S_{LC}$ .  $S_{ME}$  expresses the fact that each component must hold tight when the assembly has no mechanical interaction with its environment, i.e. each component can satisfy the static equilibrium equations.  $S_{LC}$  expresses the fact that any threaded link between any two components of an assembly must generate close loops of forces, i.e. force cycles so that the corresponding components stay at static equilibrium. Fig. 3 illustrates this concept with a bolted junction and a force cycle in magenta.

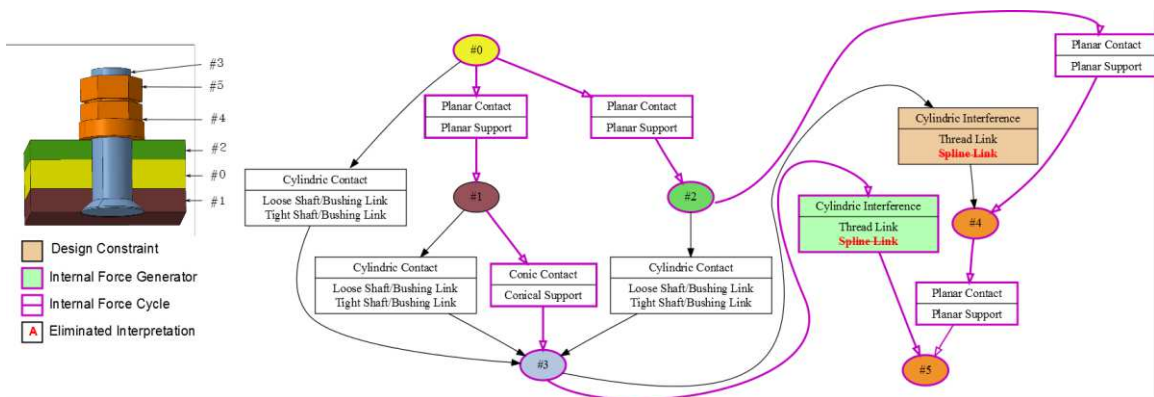


Fig. 3: Example of force cycle, as subset of the CIG, initiated by a threaded link.

Force cycles symbolically express the effect of a threaded link throughout an assembly, which ends up with the identification of sub graphs of the CIG defining the effect of each threaded link.

Now, a matching process takes place based on a taxonomy of functional designations of components,  $\mathcal{T}_{FD}$ . A functional designation of a component is an *unambiguous denomination that functionally distinguishes one class of components from another*. It relates the geometric model of a component, its FIs and FIs of its functionally related components, e.g. those contained in a load cycle, to its denomination. The functional designation of a component binds the 3D model of a component and FIs to a symbolic representation of its functions. Regarding screws, examples of functional designations are: cap screw, locked cap screw, set screw, stop screw, ... The matching process is set up using inferences processed by a reasoner, FACT++, that can be connected to OWL or RDF [27] descriptions of the instances of FIs attached to a given component. The inferences characterize the necessary properties of FIs that a component must satisfy to belong to a given functional designation.

As a result, components' models as well as their geometric model get **structured**, i.e. their 3D model contains imprints of their FIs and geometric relationships with FIs of functionally related components; FIs contain the lowest symbolic information describing the elementary functions of a component and each functional designation expresses uniquely the necessary relations between these elementary functions. Fig. 4 illustrates this result with a cap screw.

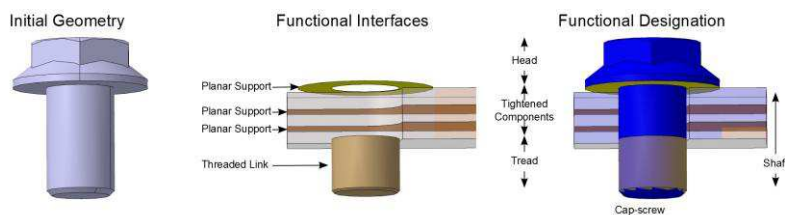


Fig. 4: Structuring the model of a component with functional properties after analyzing its geometric interactions and assigning it a functional designation, here a 'cap screw'.

### 3.2 From components' functional designations to functions

Though the bottom-up approach summarized in the previous section provides assembly components with a structured model incorporating functional information that is independent of their dimensions, their functional designation does not appear as an appropriate entry point to derive shape transformation operators as required for FE analyses. Indeed, to set up FE assembly models, an engineer looks for bolted junctions that he, resp. she, wants to transform in order to express friction phenomena, pre-stressed state in the screw, ... Consequently, the functional level needed is not the

functional designation, which is bound to a single component, it is the function itself to address the corresponding set of components and their FIs.

To this end, it is mandatory to refer to functions. This is achieved with a taxonomy of functions,  $\mathcal{T}_{FN}$ , that can produce a functional structure of an assembly (see Fig. 5). Blue items define the sub-path in  $\mathcal{T}_{FN}$  hierarchy that characterizes bolted junctions.

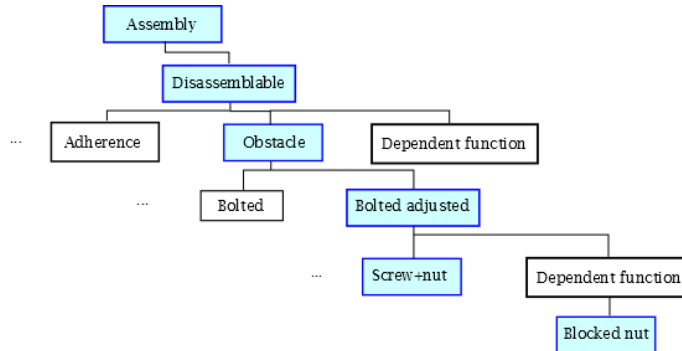


Fig. 5: Subset of  $\mathcal{T}_{FN}$ , defining a functional structure of an assembly.

Each instance of a class in  $\mathcal{T}_{FN}$  contains a set of components identified by their functional designation, i.e. it contains their structured geometric models and FIs. The generation of these instances takes advantage of the functional designations of components, e.g. adjusted cap screw in the present case, and the load cycles attached to them and derived from  $S_{LC}$ . This generation is achieved with inferences on functional designations and properties of load cycles. To this end, it is mandatory to distinguish statically determined configurations from statically undetermined ones. These details are not described here to preserve the paper consistency and concentrate on the exploitation of these functional informations.

#### 4 TEMPLATE-BASED TRANSFORMATIONS FOR FE MODELS

As a result, the DMU is now geometrically structured, components are linked by their geometric interfaces, and groups of components can be accurately identified and located in the DMU using their function and geometric structure, e.g. *'adjusted bolted junctions with screw+nut'* (see Fig. 5). Now, the geometric transformations needed to adapt the DMU to FEA objectives are strengthened because screws, nuts, counter nuts can be robustly identified, groups of tightened components are also available through the load cycles attached to cap screws.

Two possible accesses are proposed to define a function-based template related to an assembly function:

- A component through a user-defined selection: from it and its FD, a datastructure gives access to the functions it contributes to. After selecting this component, the user selects the function of interest. Other components are recovered through the selected function this component participates to;
- The function itself that can lead to the set of components needed to define this function and all the instances of this function existing in the targeted assembly.

These accesses can be subjected to constraints that can help identifying the proper set of instances. Constraints aim at filtering out instances when a template is defined from a function to reduce a set of instances to the user's needs, e.g. assembly function with bolts *'constrained with'* tightening plates 'plate\_i' and 'plate\_j' where these designations are functional designations of these components. Constraints aim at extending a set of instances when a template is defined from a component, i.e. a single function instance recovered, and needs to be extended. As an example, let us consider an assembly function with bolts *'constrained with'* same tightened components and screw head FI of type 'planar support' or 'conical fit' used to extend a selection from a single such screw.



#### 4.1 Function-based template and compatibility conditions of transformations

The previous paragraph has sketched how component functions can be used to identify sets of components in an assembly. Indeed, this identification is based on classes appearing in  $\mathcal{T}_{\text{FN}}$ . Here, the purpose is to define more precisely how the template can be related to  $\mathcal{T}_{\text{FN}}$  and what constraints are set on shape transformations to preserve the geometric consistency of the components and assembly. Shape transformations are application-dependent and the present context focuses on structural mechanics and FEA. The range of transformations addressed fits into this context.

The simplest relationship between a template  $T$  and  $\mathcal{T}_{\text{FN}}$  is to relate  $T$  to a leaf of  $\mathcal{T}_{\text{FN}}$ . In this case,  $T$  covers instances defining sets of components that contain a variable number of components.  $T$  is also dimension independent since it covers any size of component, i.e. it is a parameterized entity. Shape transformations on  $T$  are designated as  $S_T$  and the template devoted to an application becomes  $S_T(T)$ . Let us reduce the scope to disassemblable assembly functions and more specifically bolted junctions, one leaf of  $\mathcal{T}_{\text{FN}}$  can be used to define more precisely  $T$  and  $S_T(T)$ . Conforming to Fig. 5, let us restrict first to the leaf 'screw+nut' of  $\mathcal{T}_{\text{FN}}$ . Then,  $T$  contains the following FIs: one threaded link, two or more planar supports (one between nut and plate and at least one between two plates), either one planar support or one conical fit between the screw head and a plate, as many cylindrical loose fits as plates between the screw and plates because the class of junctions is of type adjusted.

Now, the purpose is to define  $S_T$  so that  $S_T(T)$  exists and preserves the consistency of the components and the assembly. We therefore define *compatibility conditions*,  $C_c$ , between  $T$  and  $S_T$  that are conceptually close to attachment constraints of form features on an object [37].  $C_c$  apply to  $S_T$  and are introduced briefly here. Given the set of components contained in  $T$ , this set can be subdivided into two disjoint subsets as follows:

- $I_c$  is the set of components such that each of its components has all its FIs in  $T$ , e.g. the screw belongs to  $I_c$ . Consequently, components belonging to  $I_c$  are entirely in  $T$ ;
- $P_c$  is the set of components such that each of its components has some of its FIs in  $T$ , e.g. a plate belongs to  $P_c$ . Components belonging to  $P_c$  are partially in  $T$ .

$I_c$  can be used to define a 3D sub domain of  $T$ ,  $T_I$  defined as the union of all components belonging to  $I_c$ . Now, if a transformation  $S_T$  takes place in  $I_c$  and geometrically lies inside  $T_I$ ,  $S_T(T)$  is valid because it cannot create interferences with other components of the assembly, i.e.  $C_c$  is satisfied.

Let us consider some of these transformations to illustrate some  $C_c$ . As an objective of FEA, the purpose of the assembly model is to analyze the stress distribution between plates and their interactions with bolts. To this end, the stress distribution around the threaded link between a screw and a nut is not relevant. Therefore, one shape transformation,  $S_{T_1}$  is the removal of the threaded link to merge the screw and the nut (see Fig. 6a).  $S_{T_1}$  is always compatible since the screw and the nut belong to  $I_c$ . The  $C_c$  are valid.

Now, let us consider another transformation,  $S_{T_2}$ . It is the localization of friction effects between plates around the screw shaft and the representation of the stress distribution nearby the screw shaft. This is modeled with a circular area centered on the screw axis and a cylindrical sub domain around the screw shaft (see Fig. 6b). Indeed,  $S_{T_2}$  is a domain decomposition [11, 12] taking place in the plates belonging to  $T$ . Because the plates belong to  $P_c$ ,  $C_c$  are not trivial. However,  $S_{T_2}$  takes place inside the plates so they cannot interfere with other components, rather they can interfere with the boundary of the plates or they can interfere between them when several screws are close to each other on the same plate (see Fig. 7). In this case,  $C_c$  can be simply expressed, in a first place, as a non interference constraint.

Other shape transformations will be listed when describing one example template in section 4.4.

#### 4.2 Shape transformations and function dependency

The previous section showed how to connect  $T$  to  $\mathcal{T}_{\text{FN}}$  in the simplest way possible, i.e. using a leaf that characterizes a single function. The purpose of this section is to analyze into which extent  $T$  can connect to classes of  $\mathcal{T}_{\text{FN}}$  that perform several functions in the assembly.

In a first place, let us review shortly some concepts of functional analysis [36]. Herein it is usual to refer to several categories of functions that are related to a design process, i.e. external, internal, auxiliary, ... However, this does not convey consistency conditions among these functions, especially from a geometric point of view. In our setting, the current content of  $\mathcal{T}_{FN}$  refers to internal functions, i.e. functions strictly performed by components of the assembly. The ‘screw+nut’ function, as part of bolted junctions, is one of them. Bolted junctions can contain other functions. Let us consider the locking function, i.e. the bolt is locked to avoid any loss of tension in the screw when the components are subjected to vibrations. The locking process can take place either on the screw or on the nut. For the purpose of the analysis, we consider here a locking process on the nut, using a counter nut (see Fig. 9a). In functional analysis, this function is designated as auxiliary function but this concept does not characterize geometric properties of these functions.

From a geometric point of view, it can be observed that FIs of the screw, nut and counter nut are located in 3D such that the FI (planar support) between the nut and counter nut cannot exist if the nut does not tighten the plates. Consequently, the locking function cannot exist if the tightening function does not exist. Rather than using the designation of auxiliary function, which is geometrically imprecise, we refer to it as *dependent function*.

The concept of dependent functions is inserted in  $\mathcal{T}_{FN}$  at different levels to attach the corresponding functions whenever they exist (see Fig. 5). Based on the concept of dependent function, it is possible to extend the connection rule between T and  $\mathcal{T}_{FN}$ . Rather than connecting T at the leaf level, higher level classes can be connected to T if the dependent functions are taken into account in the  $C_c$  of shape transformations  $S_T$  so that  $S_T(T)$  exists and preserves the consistency of the assembly. As an illustration, let us consider T connected to ‘Bolted adjusted’ (see Fig. 5). Now,  $S_T$  can cover the class of bolted junctions with counter nut. Let  $S_{T_3}$  be the transformation that removes the counter nut of a bolted junction, which meets also the FEA objectives mentioned earlier. Because  $S_{T_3}$  applies to a dependent function of ‘screw+nut’, it satisfies the  $C_c$  and the resulting model has a consistent layout of FIs. Consequently, T can be effectively connected to ‘Bolted adjusted’, which is a generalization of T.

### 4.3 Template generation

T is generated on the basis of the components involved in its associated function in  $\mathcal{T}_{FN}$ . T incorporates the objectives of the FEA to specify  $S_T$ . Here,  $S_T$  covers all the transformations described previously, i.e.  $S_{T_1}$ ,  $S_{T_2}$ ,  $S_{T_3}$ . Fig. 6 and 7 illustrates the key elements of these shape transformations.

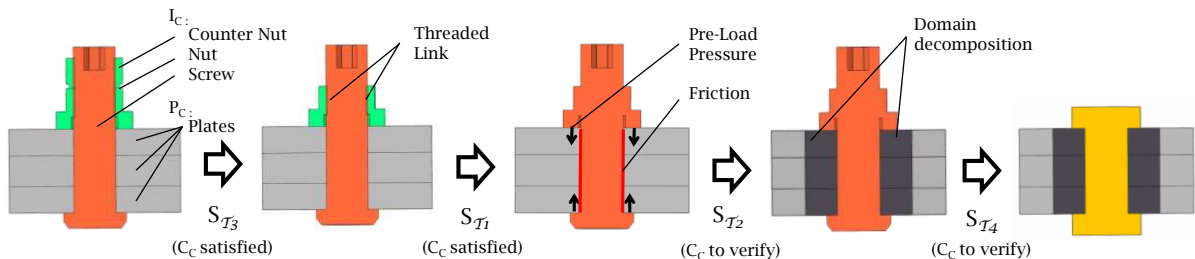


Fig. 6: Compatibility conditions ( $C_c$ ) of shape transformations  $S_T$  applied to T.

Other shape transformations,  $S_{T_4}$ , can be defined to cover screw head transformations and extend the range of screws to flat head ones.

Then, the set of shape transformations structures the dialog with the user to allow him, resp. her, to select some of these transformations. However, the user settings are applied to instances whenever possible, i.e. when the instance belongs to a class where the shape transformations are applicable.

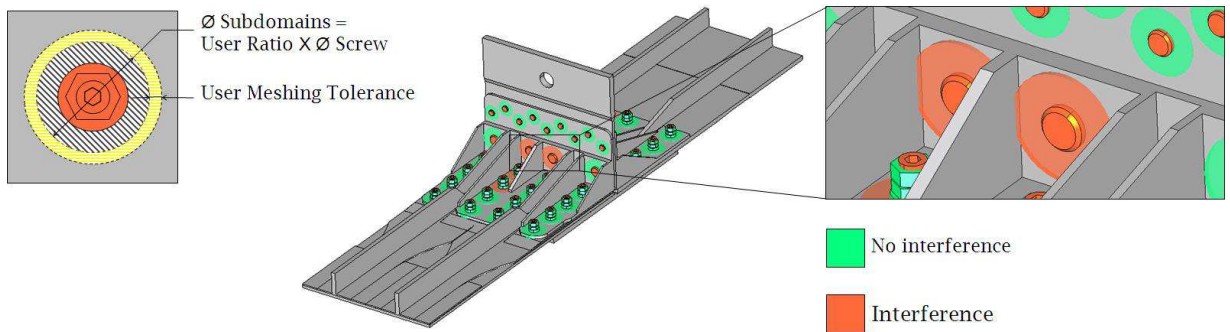


Fig. 7: Checking the compatibility of  $S_{\tau}(T)$  with respect to the surrounding geometry of  $T$ .

#### 4.4 Example of template-based operator of bolted junctions transformation

During the PDP of an aeronautical company, simulation engineers perform specific FEAs on assembly sub structures such as the aircraft junction between wings and fuselage. This structure can be subjected to tensile and compressive forces to analyse:

- The distribution of the load transfer among the bolted junctions;
- The admissible extreme loads throughout this structure.

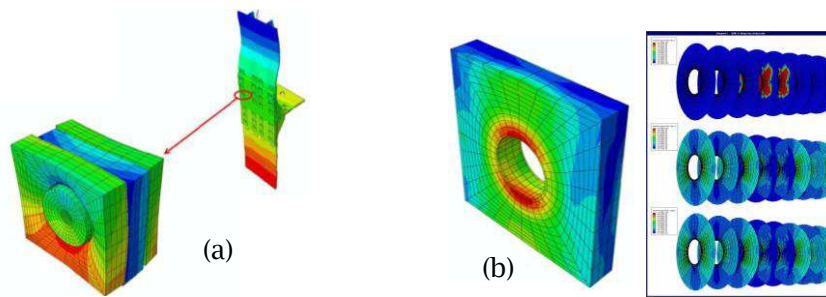


Fig. 8: (a) Multi scale simulation with domain decomposition around bolted junctions (b) Load transfers at critical holes (courtesy of ROMMA project [4]).

To adapt the FE model to these simulation objectives while representing the physical behavior of the structure, an efficient domain decomposition approach [12, 13] uses a coarse mesh far enough from the bolted junctions and a specific sub domain around each bolted junction with friction and preload phenomena (see Fig.8a, b). The objective is not to generate a detailed stress distribution everywhere in this assembly but to observe the load distribution areas among bolts using the mechanical models set in the sub domains. The objective of this section is to validate the template-based approach based on a demonstrator that transforms automatically the bolts into simplified sub domains ready for meshing with friction area definition while preserving the consistency of the assembly.

##### 4.4.1 Operator description

Having enriched the assembly with functional information, the template interface lets the user select a node of  $\mathcal{T}_{FN}$  that is compatible with  $T$ . In this example, the function to select is: 'assembly with Bolted junction' (see Fig. 10). Now, several  $S_{\tau}$  are either pre set or user accessible.  $S_{\tau}$  is user accessible and set here to remove the dependent function 'locking with counter nut' because the simulation objective does not focus on dynamic effects. Then,  $S_{T_3}$  is pre set in  $T$  to preserve the cylindrical loose fit between screw and plates to set up contact friction BCs without interpenetration over these FIs  $S_{T_1}$  is also pre set as well as  $S_{T_4}$ . The latter is performed on the FI (planar support) between the screw head/nut and

the plates to obtain a meshing process independent of nut and screw head shapes. Now,  $T$  can cover any bolted junction to merge screw, nut and counter-nut into a single domain, reduce the screw and nut shapes to a simple shape of revolution while preserving the consistency of its interfaces. To precisely monitor the stress distribution around bolts and friction between plates,  $S_{T_2}$  is user-selected. It is a simplified model of the Rotscher's cone [8] (see Fig.9) that enables generating a simple mesh pattern around bolts.

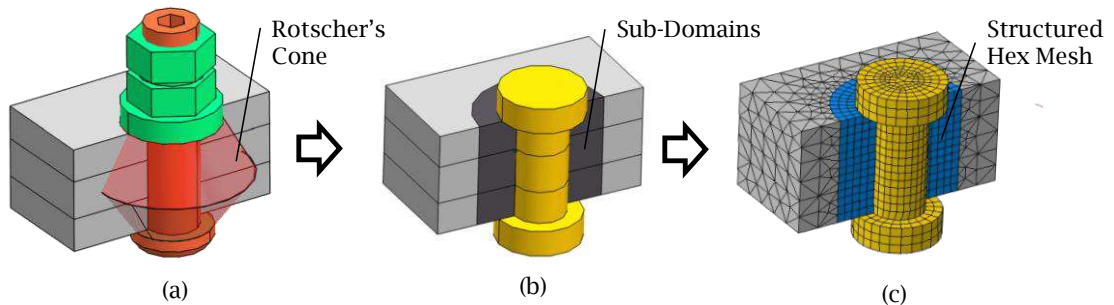


Fig. 9: Template based transformation  $S_T(T)$  of a bolted junction into simple mesh model with friction and contact areas definition around screw and nut.

Based on  $T$ ,  $S_T(T)$  is fairly generic and parameterized to intelligently select and transform bolts, i.e. it is independent of the number and thicknesses of plates, of the screw diameter, the length and head type (cylindrical (see Fig. 9a) versus flat ones) in addition to the location of each bolt.

Here,  $S_T(T)$  contains  $S_{T_2}$ , a generation of sub domains taking into account the physical effects of the Rotscher's cone. This geometric transformation could interact with plate boundaries to change the shape of these sub domains and influence the mesh generation process. Presently, templates are standalone entities and are not taking into account these effects left for future developments. At present, the user can adjust the sub domain to avoid these interactions (see Fig. 10a).

#### 4.4.2 Implementation and results

The developed prototype is based on OpenCascade and Python scripting language. The DMU is imported as STEP assembly models, the geometric interfaces between components are represented as independent trimmed CAD faces with identifiers of the initial face pairs of the FI. The assembly functional description is imported as text file and linked to the assembly model by components' identifiers.

Fig.10a shows the user interface of the prototype. When selecting the 'assembly with Bolted Junction' function, the user has a direct access to the list of bolted junctions in the assembly. To allow the user filtering his selection, DMU parameters are extracted from the FD of components, e.g. the screw and nut type, the number of tightened components, or from geometry processing based on FDs, e.g. screw diameter. Using these parameters, the user is able to select bolted junctions with diameter between 10 and 16 mm (see Fig.10b) or bolted junctions with countersunk screw (see Fig.10c), etc. The user can monitor the Rotscher's cone dimension with a FEA parameter called 'sub domain ratio' that represents the ratio between the screw nominal diameter and the sub-domain diameter (see Fig.10d and e). Then, the user-defined 'meshing tolerance' is used during the verification phase to check the compatibility conditions,  $C_c$ , between instances and their surrounding geometry (see Fig.7).

Fig. 11 shows two results of the template-based transformations on aircraft structures:

- A junction between the wing and the fuselage. The assembly contains 45 bolted junctions with 3 different diameters and 2 different screw heads;
- An engine pylon. The assembly contains over 250 bolted junctions with identical screws and nuts.

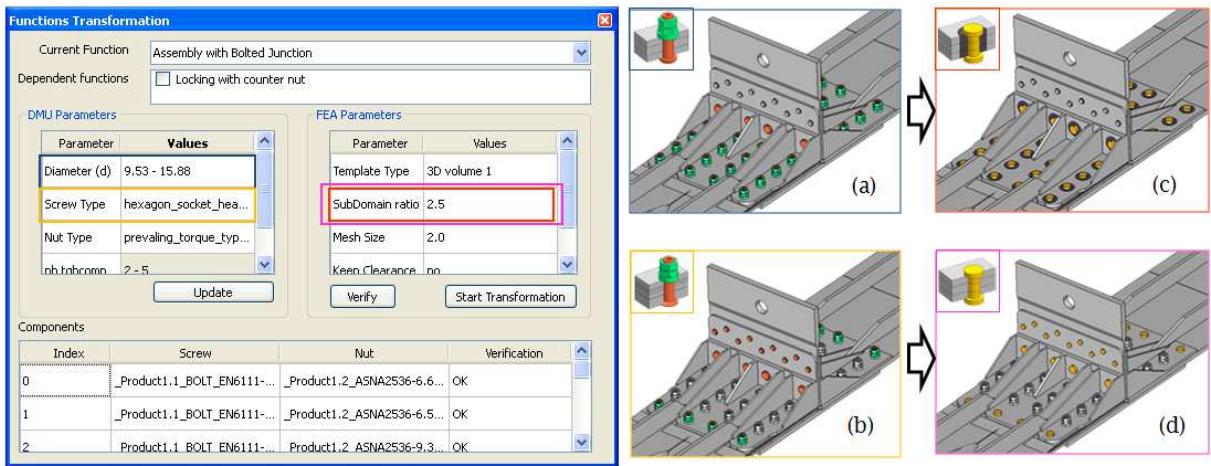


Fig. 10: User interface for transformation of 'assembly Bolted Junctions' (a), filtering bolts based on diameters (b) or screw type (c), template-based transformations with (d) or without (e) sub domains.

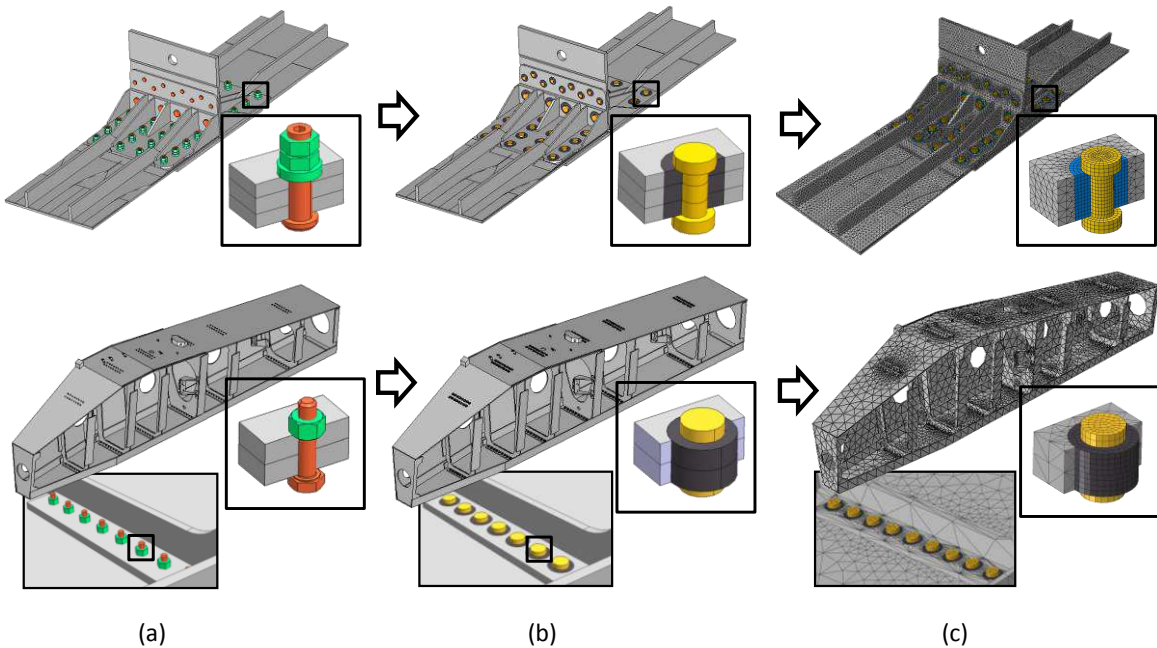


Fig. 11: (a) CAD model with functional designations and geometric interfaces, (b) model after applying  $S_r(T)$  on bolts, (c) mesh assembly model with friction area definition.

The final CAD assembly (see Fig. 11b) with simplified bolted junctions has been exported to a CAE software, i.e. Abaqus. STEP files transfer the geometric model and associated xml files describes the interfaces between components to trigger meshing strategies with friction area definition.

## 5 TEMPLATE-BASED TRANSFORMATIONS AND IDEALIZATION

Often during the early design phases, it is common to perform simulations using simplified models, e.g. to determine the number of bolts or parts' thicknesses. This requires idealized models of

fasteners. In this case, the junction simulation objectives reduce to the transfer of plates' loads throughout the whole assembly and FE beam elements are sufficient to model the bolts behavior. Fig. 12 shows that the template-based transformation approach can be used to automate the transformation of bolted junctions into idealized fasteners. The latter are represented with line segments forming FE beam elements. Different idealizations, i.e. the set of  $S_r$ , can be generated to match different simulation hypotheses. For instance, one  $S_r$  can focus on the screw stiffness effect on the FE model. Consequently, the blue part (see Fig. 12) of the beam element is no longer needed. Then, the yellow points (see Fig. 12) can be used as connection points to set either kinematic constraints or connect rigid elements between plates' mesh nodes and the beam elements.

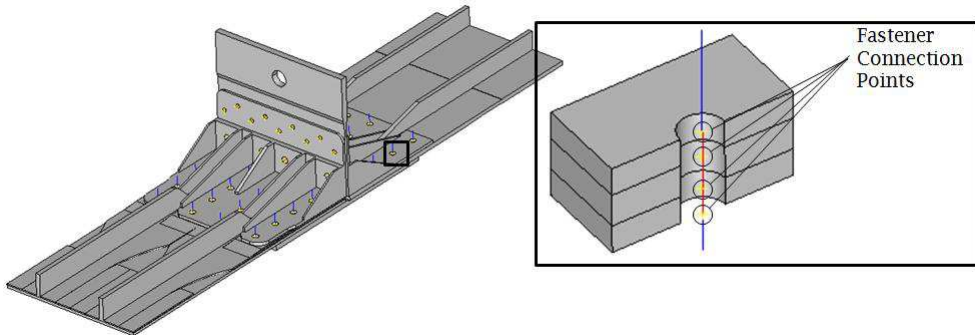


Fig. 12: Template-based transformation of idealized bolted junctions.

## 6 CONCLUSION

In this work, a template-based method empowers the use of DMUs enriched with geometric interfaces and functional information, to automate CAD assembly pre-processing and generate a FE-friendly equivalence of this assembly. Because the template is directly connected to assembly functions, its instances contain a group of components consistently involved in the same assembly function. When selecting a specific function, the user has a direct access to the associated components, their structured model as well as their FIs. It has been shown also that the template can cover a rather large range of configurations since it is parameterized with respect to components' dimensions, components' number, components' shapes and finally, component function with the concept of dependent function. Using the template-based transformations, the user can robustly and efficiently define the geometric transformations according to his/her FEA objectives and meshing constraints. Thus, new components' shapes adapted to CAE software requirements are produced while the consistency of the assembly model is preserved. The template can be instantiated over the whole assembly to transform quickly repetitive configurations such as bolted junctions which were highly time consuming with interactive processing. Finally, a demonstrator has been presented to prove the efficiency of the template-based transformation approach and its valuable contribution to a PDP. The template-based approach show how shape transformations highly benefit from functional information and strengthen these transformations in the context of complex models like assemblies where many components interact with each other. Bolted junctions of two industrial use-cases have been automatically transformed into simplified macro elements with sub-domains generation. The resulting model produces a seamless generation of FE models conforming to the simulation objectives while taking into account meshing constraints.

## 7 ACKNOWLEDGMENT

This work is carried out as part of the ROMMA (RObust Mechanical Models for Assemblies) project [4] under the reference ANR-09-COSI-012. The authors are very grateful for the financial support from the Agence Nationale de la Recherche (ANR).

## REFERENCES

- [1] Albers, A.; Braun, A.; Clarkson, P. J.; Enkler, H.-G.; and D. Wynn: Contact and channel modeling to support early design of technical systems, Proc. Int. Conf., ICED'09, August, Stanford, USA, pp 61-72, (2009).
- [2] Albers, A.; Burkardt, N.; Ohmer, M.: Contact and Channel Model for Pairs of Working Surfaces, In ElMaraghy, H. A., ElMaraghy, W. H. (Eds), London: Springer, Advances in Design, pp 511-520, (2006), DOI: 10.1007/1-84628-210-1\_42.
- [3] Andujar, C.; Brunet, P.; Ayala, D.: Topology-reducing surface simplification using a discrete solid representation, ACM Trans. Graph., 21(2), (2002), DOI: 10.1145/508357.508359.
- [4] ANR ROMMA project: <http://romma.lmt.ens-cachan.fr/>.
- [5] Armstrong, C.G.; Bridgett, S.J.; Donaghy, R.J.; McCune, R.W.; McKeag, R.M.; D.J. Robinson: Techniques for interactive and automatic idealisation of CAD models, Proc. 6th Int. Conf. on Numerical Grid Generation in Computational Field Simulations, pp 643-662, London, UK; (1998).
- [6] Armstrong, C.G.; Monaghan, D.J.; Price, M.A.; Ou, H.; Lamont, J.: Integrating CAE concepts with CAD geometry, In Engineering Computational Technology, pp 75-104. Saxe-Coburg Publications, (2002).
- [7] Barbau, R.; Krима, S.; Rachuri, S.; Narayanan, A.; Fiorentini, X.; Fougou, S.; Sriram, R. D.: OntoSTEP: Enriching product model data using ontologies, CAD, 44(6), 575-590, (2012), DOI: 10.1016/j.cad.2012.01.008.
- [8] Bickford, J.H: Introduction to the Design and Behavior of Bolted Joints, Fourth Edition, CRC Press, (2007), DOI:10.1201/9780849381874.fmatt.
- [9] Boussuge, F.; Léon, J.-C.; Hahmann, S.; Fine, L.: An analysis of DMU transformation requirements for structural assembly simulations; Int. Conf. ECT 2012, Dubrovnic; 4-7 Sept.; (2012).
- [10] Choudria, R.; Véron, P.: Identifying and re-meshing contact interfaces in a polyhedral assembly for digital mock-up; Eng. with Comput; 22(1); 47-58; (2006)., DOI: 10.1007/s00366-006-0029-7
- [11] Clark, B.W.; Hanks, B.W.; Ernst, C.D.: Conformal Assembly Meshing with Tolerant Imprinting; Proc. of the 17th International Meshing Roundtable; pp 267-280, (2008), DOI: 10.1007/978-3-540-87921-3\_16
- [12] Champaney, L.: A domain decomposition method for studying the effects of missing fasteners on the behavior of structural assemblies with contact and friction. Computer Methods in Applied Mechanics & Engineering, (2011.), DOI : 10.1016/j.cma.2011.04.008
- [13] Champaney, L.; Boucard P.-A.; Guinard S.: Adaptive multi-analysis strategy for contact problems with friction. Computational Mechanics. 42(2), (2007), DOI: 10.1007/s00466-007-0213-7.
- [14] Dixon, A.; Shah, J. J.: Assembly Feature Tutor and Recognition Algorithms Based on Mating Face Pairs, CAD&Appl., 7(3), 319-333, (2010), DOI: 10.3722/cadaps.2010.319-333.
- [15] Fine, L; Léon, J.-C.: A new approach to the Preparation of models for F.E. analyses, Int. Journal of Comp. Appl. in Technology, 23(2, 3, 4), 166-184; (2005), DOI: 10.1504/IJCAT.2005.006485.
- [16] Fiorentini, X.; Gambino, I.; Liang, V.-C.; Rachuri, S.; Mani, M.; Bock, C.: An Ontology for Assembly Representation, National Institute of Standards and Technology NISTIR 7436, Gaithersburg, MD 20899, USA, July, (2007).
- [17] Gero, J. S.; Kannengiesser, U.: The situated function-behaviour, Design Studies, 25, 373-391, (2004).
- [18] Gero, J. S.: Design prototypes: a knowledge representation schema for design, AI Magazine, 11 (4), 26-36, (1990).
- [19] Horvath, I.; Pulles, J. P. W.; Bremer, A. P.; Vergeest, J. S. M.: Towards an ontology-based definition of design features, Proc. SIAM Workshop on mathematical foundations for features in computer aided design, engineering, and manufacturing, (1998).
- [20] ISO TC184-SC4: ISO-10303 Part 203 - Application Protocol: Configuration controlled 3D design of mechanical parts and assemblies, (1994).
- [21] ISO TC184-SC4: ISO-10303 Part 214 - Application Protocol: Core data for automotive mechanical design processes, (2003).
- [22] Kim, K.-Y.; Manley, D. G.; Yang, H.: Ontology-based assembly design and information sharing for collaborative product development, CAD, 38(12), 1233-1250, (2006), DOI: 10.1016/j.cad.2006.08.004.

- [23] Kim, S.; Lee, K.; Hong, T.; Kim, M.; Jung, M.; Song, Y: An integrated approach to realize multi-resolution of b-rep model. In Proceedings of the 2005 acm symposium on solid and physical modeling, Spm '05, (2005), DOI: 10.1145/1060244.1060262.
- [24] Kim, K-Y.; Wang, Y.; Muogboh, O. S.; Nnaji, B. O.: Design formalism for collaborative assembly design, CAD, 36(9), 849-871, (2004), DOI: 10.1016/j.cad.2003.09.011.
- [25] Kitamura, Y.; Mizoguchi, R.: Ontology-based systematization of functional knowledge, J Eng. Design, 15(4), 327-351, (2004), DOI: 10.1080/09544820410001697163.
- [26] Lou, R.; Pernot, J-P.; Mikchevitch, A.; Véron, P.: Merging enriched Finite Element triangle meshes for fast prototyping of alternate solutions in the context of industrial maintenance; CAD; 42(8), 670-681; (2010), DOI: 10.1016/j.cad.2010.01.002.
- [27] OWL Web Ontology Language Overview, <http://www.w3.org/TR/owl-features/>, (2004).
- [28] Quadros, W.R.; Vyas, V.; Brewer, M.; Owen, S.J.; Shimada, K.: A computational framework for automating generation of sizing function assembly meshing via disconnected skeletons; Eng. with Comput; 26(3); 231-247; (2010), DOI: 10.1007/3-540-29090-7\_4.
- [29] Rahmani, K.; Thomson, V.: Ontology based interface design and control methodology for collaborative product development, CAD, 44(5), 432-444, (2012), DOI: 0.1016/j.cad.2011.12.002
- [30] Robinson T. T.; Armstrong C.G.; and Fairey R.: Automated mixed dimensional modelling from 2D and 3D CAD models, Finite Elements in Analysis and Design, 47(2), 151-165, (2011), DOI: 10.1016/j.finel.2010.08.010.
- [31] Roy, U.; Bharadwaj, B.: Design with part behaviors: behavior model, representation and applications, CAD, 34(9), 613-636, (2002), DOI: 10.1016/S0010-4485(01)00129-4.
- [32] Roy, U.; Pramanik, N.; Sudarsan, R.; Sriram, R. D.; Lyons, K. W.: Function-to-form mapping: model, representation and applications in design synthesis, CAD, 33(10), 699-719, (2001), DOI: 10.1016/S0010-4485(00)00100-7.
- [33] Russ, B.; Dabbeeru, M.M.; Chorney, A. S. and Gupta, S.K.: Automated assembly model simplification for finite element analysis; in proceedings of ASME Computers and Information in Engineering Conference; Chicago; IL; (2012).
- [34] Shahwan, A.; Léon, J-C.; Foucault, G.; Trlin, M.; Palombi, O.: Qualitative behavioral reasoning from components' interfaces to components' functions for DMU adaption to FE analyses: CAD; 45; pp 383-394, (2013), DOI: 10.1016/j.cad.2012.10.021.
- [35] Thakur, A.; Banerjee, A. G.; Gupta, S. K.: A survey of CAD model simplification techniques for physics-based simulation applications, CAD; 41(2), 65-80; (2009), DOI: 0.1016/j.cad.2008.11.009.
- [36] Ullman, D.G: The Mechanical Design Process, McGraw-Hill Science/Engineering/Math; Fourth Edition (2009).
- [37] Van den Berg, E.; Van der Meiden, R.; Bronsvoort, W.: Specification of free-form features, Int. Conf. Solid Modeling and App., Seattle, USA, June 16-20, (2003).
- [38] Van Holland, W.; Bronsvoort, W. F.: Assembly features in modeling and planning, RCIM, 16, 277-294, (2000), DOI: 10.1016/S0736-5845(00)00014-4.