



HAL
open science

Autonomous docking based on infrared system for electric vehicle charging in urban areas

Joshué Pérez Rastelli, Fawzi Nashashibi, Benjamin Lefaudeux, Paulo Resende, Evangeline Pollard

► **To cite this version:**

Joshué Pérez Rastelli, Fawzi Nashashibi, Benjamin Lefaudeux, Paulo Resende, Evangeline Pollard. Autonomous docking based on infrared system for electric vehicle charging in urban areas. Sensors, 2013. hal-00913122

HAL Id: hal-00913122

<https://inria.hal.science/hal-00913122>

Submitted on 3 Dec 2013

HAL is a multi-disciplinary open access archive for the deposit and dissemination of scientific research documents, whether they are published or not. The documents may come from teaching and research institutions in France or abroad, or from public or private research centers.

L'archive ouverte pluridisciplinaire **HAL**, est destinée au dépôt et à la diffusion de documents scientifiques de niveau recherche, publiés ou non, émanant des établissements d'enseignement et de recherche français ou étrangers, des laboratoires publics ou privés.

Article

Autonomous docking based on infrared system for electric vehicle charging in urban areas

Joshué Pérez^{1,*}, Fawzi Nashashibi¹, Benjamin Lefaudeux¹, Paulo Resende¹ and Evangeline Pollard¹

¹ IMARA team at INRIA research center, Domaine de Voluceau-Rocquencourt, BP 105, 78153, Le Chesnay. France.

E-Mails: joshue.perez_rastelli, fawzi.nashashibi@inria.fr, benjamin.lefaudeux@inria.fr, paulo.lopes_resende@inria.fr, evangeline.pollard@inria.fr

* Author to whom correspondence should be addressed; joshue.perez_rastelli, Tel.:+33139635029.

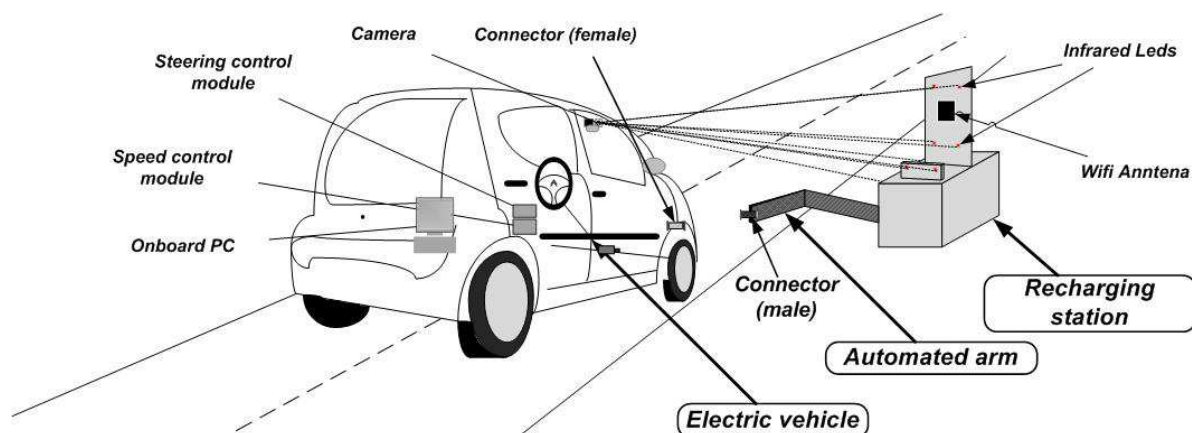
Version January 23, 2013 submitted to *Sensors*. Typeset by L^AT_EX using class file *mdpi.cls*

1 **Abstract:** Electric vehicles are progressively introduced in urban areas because of their
2 ability to reduce air pollution, fuel consumption and noise nuisance. Nowadays, some big
3 cities are launching first electric car-sharing projects to clear traffic jams and enhance urban
4 mobility, as an alternative of the classic public transportation systems. However, there are
5 still some problems to be solved related to energy storage, electric charging and autonomy.
6 In this paper, we present an autonomous docking system for electric vehicles recharging
7 based on an embarked infrared camera performing infrared beacons detection installed in
8 the infrastructure. A visual servoing system coupled with an automatic controller allow the
9 vehicle to dock accurately to the recharging booth in a street parking area. The results show
10 a good behavior of the implemented system, which is currently deployed as a real prototype
11 system in the city of Paris.

12 **Keywords:** Autonomous parking; Electric vehicle; Vision systems; Docking system; Lateral
13 control

14 1. Introduction

15 Today, a wide variety of Advanced Driver Assistance Systems (ADAS) are available in conventional
16 vehicles. These systems allow multiple improvements in driving assistance and some partial control such
17 as: blind angle detection systems [1], lane departure warning [2], speed limit warning [3], pedestrian

Figure 1. Elements of the system and docking maneuver of the AMARE project

18 collision avoidance [4], parking assistance [5] (among others). Nevertheless, some other ITS topics
 19 are improved for research groups around the world. The European Union, specifically the Directorate-
 20 General for Mobility and Transport of the European Commission (EC), develops transport policies by
 21 integrating citizen needs, environmental policy, and competitiveness [6].

22 One of the main objectives of the EC is to decrease the use of gas-propelled vehicles in 2050, reducing
 23 transport sector emissions of greenhouse gas (GHG) by about 60%. Therefore, electric vehicles (EV)
 24 will improve the urban transportation because of their efficiency and the absence of CO₂ gas emissions
 25 and noise. In fact, some fully automated electric vehicles are already in use in airports, private tracks
 26 and pedestrian zones in urban areas [7,8]. However, the market penetration of EV depends on the
 27 improvement of the electric vehicle batteries, in terms of battery costs, operational autonomy and the
 28 distribution of charging points availability in the cities.

29 With the growth of EV industry more charging points will appear at motorway service stations and in
 30 major cities. This year, in the United States, there are more than eight thousand public charging stations
 31 [9]. However, there are still some lacks in this solution due to the slow charging times and the parking
 32 problems. Some authors have applied Inductive Power Transfer (IPT) techniques for EV recharging
 33 [10]. Although this system offers a safe, convenient and reliable solution, its implementation depends
 34 on the performance of the power pads, and this technology is unavailable for all types of EV's. Other
 35 works are focusing on the fast-charging electric issues, performing simulations of a recharging station
 36 with different platforms [11]. These first results suggest a quick implementation of charging stations for
 37 EVs in urban and inter-urban scenarios.

38 In the last years, autonomous vehicles, chiefly using EV, have been gradually improved in terms
 39 of safety and redundancy. Cybercars are a good example of this evolution, since they allow fully
 40 autonomous driving capabilities for specific scenarios in order to provide an on-demand door-to-door
 41 service [7]. These vehicles use a GPS sensor for positioning, and wireless communications for
 42 interaction with other vehicles and the infrastructure [12]. IMARA group of INRIA (National Institute
 43 for Research in Computer Science and Control, France) is working in the development of perception and
 44 control strategies for Cybercars[8,13].

45 Other works propose the control of autonomous EV with mathematical modelling of the motion
 46 dynamics and drivability control to optimize the operating freedom of two power trains in hybrid electric

47 vehicle [14]. In [15], a real vehicle modified with a steer-by-wire system and Global Positioning System
48 (GPS) for localization is proposed. Moreover, Intelligent Artificial (IA) techniques, such as fuzzy logic
49 [12] and Neural-Networks (NN) [16], have been used to control real vehicles in urban and highway
50 scenarios, based on human experiences and cooperative GPS and inertial systems [17].

51 About the localization problem in autonomous vehicles, the limitations of the GPS systems, caused
52 by GPS outages and the interferences in urban and indoor scenarios, are widely known (because of
53 buildings, trees, bridges, parking, among others) [18]. For this reason, other approaches focus on
54 perception solutions for the localization and the environment mapping have been suggested such as:
55 SLAM, SLAMMOT, among others [19,20]. A survey of the most important algorithms for autonomous
56 vehicles, based on vision and laser, proposed in the last decade, has been presented in [21]. They claim
57 that, even if many navigation systems are based on heterogeneous sensors data fusion, the most robust
58 algorithms are based on visual target tracking, since the position and velocity of the vehicle and the target
59 relative position can be established by processing the images streams the cameras.

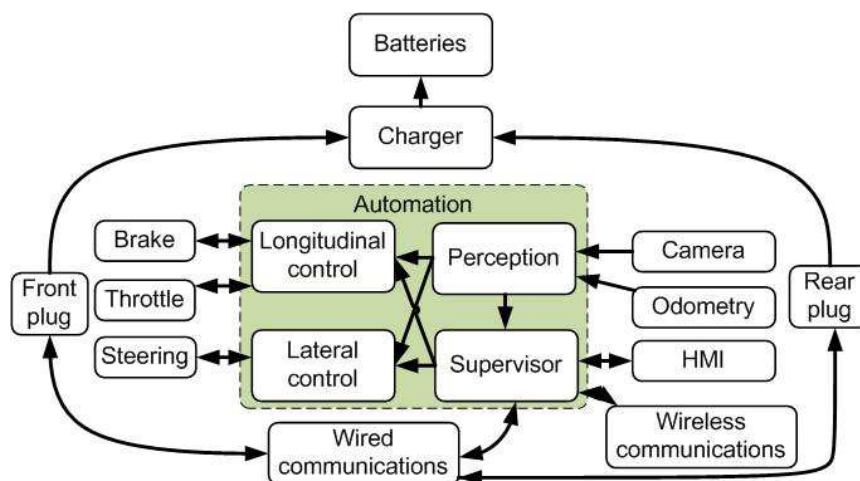
60 Autonomous charging is a well identified issue for electric autonomous systems. This problem has
61 been historically addressed in robotics [22] and several approaches were proposed based on a wide range
62 of techniques such as range lights [23] or vision and artificial landmarks [24]. It is really close to the
63 problem of docking autonomous underwater vehicles (AUVs) for charging purpose [25]. Concerning
64 autonomous urban vehicles, systems using inductive charging was already proposed [26], but are not
65 really energy efficient, even if they are easy to handle. Systems that consider docking for charging
66 electric vehicles require a highly accurate localization and control (a few centimeters), uncommonly
67 treated in the literature [27,28]. The aim of the research is to design and develop a control system, for
68 automatic recharging docking for EVs in urban parking areas. The vehicle is equipped with an infrared
69 camera, able to detect infrared diodes placed on the infrastructure. These diodes are used as landmarks,
70 in order to provide a highly accurate position and velocity to the control stage. The camera is placed
71 behind the rear-view mirror (looking ahead), and the vehicle is an electric Citroën C1, instrumented to
72 enable autonomous driving.

73 This paper is organized as follows: a description of the system architecture and of the AMARE project
74 objectives are provided in Section 2. The perception algorithms, signal filtering, control stages, followed
75 by an explanation on the control strategies used in the lateral control law are explained in section 3.
76 Experimental demonstrations and results obtained with the real facilities are described in section 4. The
77 paper ends with conclusions and future works in section 5.

78 **2. System Architecture**

79 The automatic docking, recharging, billing and payment system proposed in this paper is composed
80 of three main elements: an automated vehicle, a docking and recharging station, and a wireless
81 communication system.

82 Once the vehicle is properly parked by the driver a few meters from the station, the perception system
83 identifies the infrared LEDs placed in the recharging station, and then the connection procedure is
84 initiated by the vehicle. The first connection is performed by wireless communications. The vehicle
85 sends to the station its intention to park and to recharge its batteries. Once accepted by the station, the

Figure 2. Automated vehicle on the AMARE project

86 vehicle autonomously docks with the station and the recharging starts without any human intervention
 87 (Figure 1). When the vehicle intends to leave the station, a billing is calculated given the energy
 88 consumed by the vehicle and the total parking time. The payment of the charge can be performed
 89 via a contactless payment system or sent to the driver's billing address for an a posteriori payment.

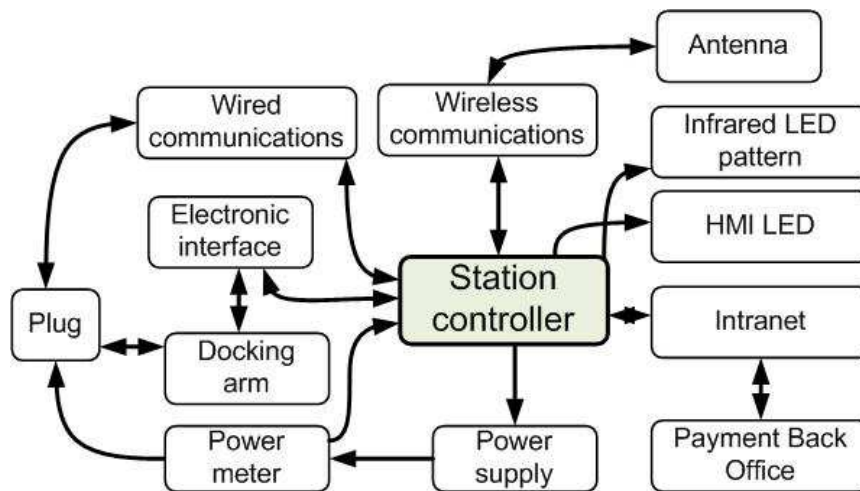
90 2.1. Automated Vehicle

91 The vehicle used is an electrified Citroën C1 instrumented for autonomous driving. Figure 2 shows the
 92 different components used in the autonomous vehicle. The vehicle is equipped with two docking plugs
 93 - front and back - for battery charging and wired communications. This design allows the connection
 94 of several vehicles in series to a unique recharging station, reducing the number of recharging stations
 95 needed. In the meanwhile the physical link between the vehicles can be used to displace all the vehicles
 96 in a platoon configuration with a unique driver, thus facilitating the redistribution of vehicles between
 97 stations [29].

98 A wireless communication link is established before the docking procedure with the recharging
 99 station. The automated vehicle uses the information from the installed infrared camera and the odometry
 100 to guide the vehicle into its final parking position or docking spot. The perception system (section 3.1)
 101 starts by estimating the pose of the vehicle relative to the pattern of infrared LEDs in the recharging
 102 station.

103 The control of the vehicle and driving task is supported by the on-board automation system until
 104 the vehicle reaches its docking spot. The throttle and brake pedals with integrated potentiometers
 105 are commanded by the longitudinal controller, and the electric power-assisted steering actuator is
 106 commanded by the lateral controller (section 3.2).

107 Information about the automatic docking procedures are provided to the driver via the on-board HMI
 108 (Human Machine Interface) and stored in a remote server. Once the docking is established and the
 109 vehicle is plugged to the automated arm, a wired connection is established between the vehicle and
 110 the station. At the same time the recharging of the vehicle batteries starts and the consumed energy is
 111 registered. This information is used later by the billing process together with the parking time costs.

Figure 3. Recharging and docking station on the AMARE project

112 2.2. Recharging and Docking Station

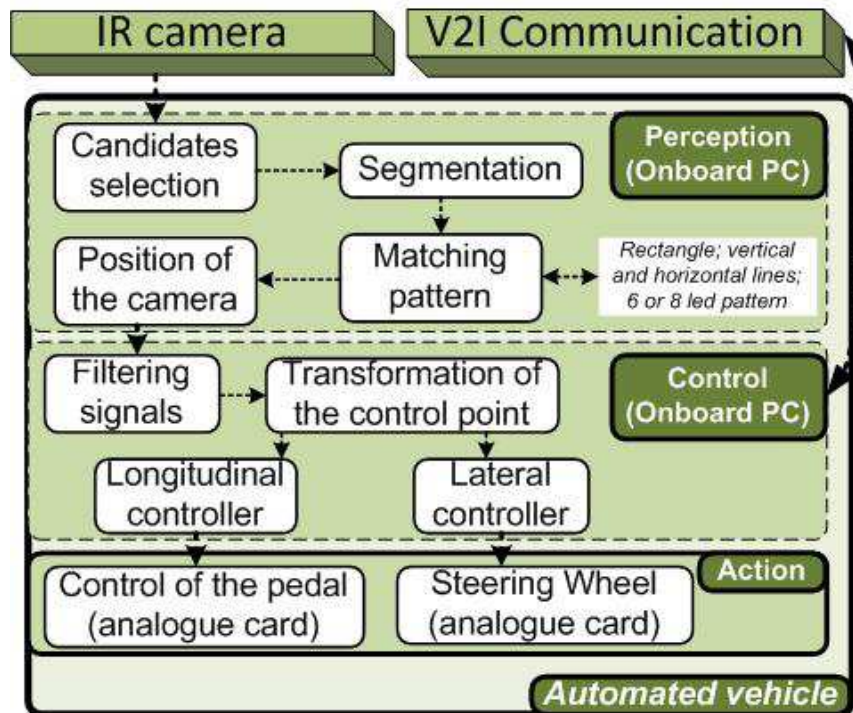
113 The station, equipped with a docking arm, is used to charge up to five vehicles in series. The
 114 communication with the vehicles, prior plug-in connection, is done via wireless WiFi communications.
 115 The station allows/rejects connection requests from the vehicle that want to dock and recharge. The status
 116 of the station can easily be accessed by the lights interface information (in the station): green - the station
 117 is available, yellow blinking - the docking arm is being deployed, red - the station is occupied. Once the
 118 plug is connected to a vehicle, the power supply is activated and the energy consumption is registered
 119 (figure 3). An infrared LED pattern installed in the station is detected by the vehicle on-board camera
 120 in order to determine its relative position. The station controller manages the electronic interface that
 121 controls the docking arm, the power supply and the infrared LED pattern. The controller is connected
 122 directly to a payment back office through a local network (intranet), and handles the communications
 123 with the vehicle.

124 2.3. Communication System

125 The action coordination between the vehicle automation (supervisor) and the station controller
 126 are performed via an IPv6 wireless link based on embedded Linux boxes (4G Cubes) [8]. This
 127 communication system is a Vehicle Web Service Communication Framework (VWSCF) that handles
 128 service discovery, expose and fetch of data through the network. For practical reasons, the payment
 129 procedure is performed via a different wireless connection using a standard highway contactless payment
 130 system. Once the vehicle is plugged to the docking arm a wired connection is established and diagnostics
 131 data are exchanged between the vehicle and the station.

132 3. Onboard Algorithms -Autonomous Docking-

133 Figure 4 shows the control scheme of the autonomous vehicles docking proposed in this work. It
 134 considers an infrared camera for the localisation of the vehicle in the reference frame of the charging
 135 station. After the pattern processing, the relative position is given to the control stage. Then, this position

Figure 4. Control architecture for autonomous vehicles based on IR camera information

136 is filtered and translated to the centre front axis of the vehicle, to improve the control accuracy. Finally,
 137 a reference command is sent to the action stage. The explanation of each module is described below.

138 3.1. Perception

139 A standard charge-coupled device (CCD) camera, equipped with an IR filter, was provided by our
 140 industrial partner in the project and was used in this work, placed behind the rear-view mirror, looking
 141 front. In our experiment infrared LEDs were used on the docking station instead of visible beacons, to
 142 simplify their detection from the background and make the system invisible from passers-by.

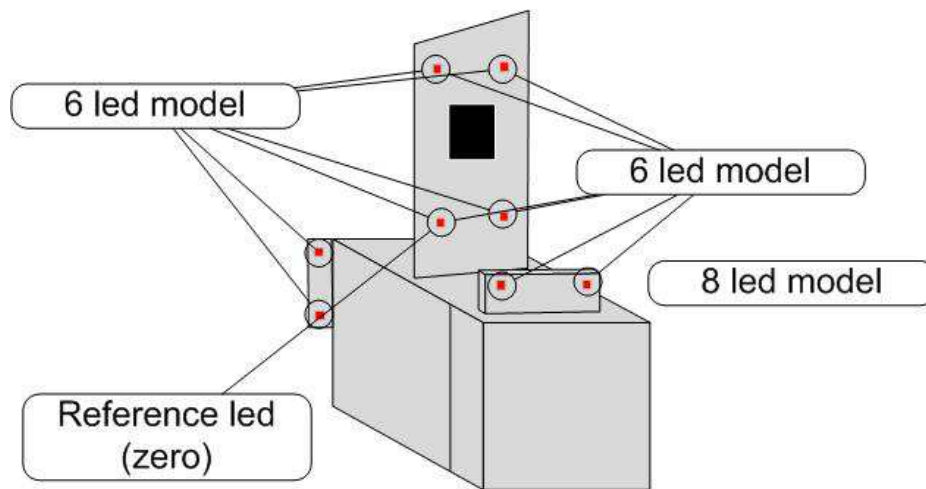
143 The docking station is equipped with 8 infrared LEDs, their positions being precisely known in
 144 the station referential. This rather high number of LEDs was chosen to allow the detection of several
 145 patterns, in case one or several lights were obstructed or failing. Our experiments showed that 6 LEDs
 146 are enough in practice to accurately determine the vehicle position with regard to its docking station.

147 Thanks to the camera information, the perception stage computes the position, in Cartesian
 148 coordinates, and the heading in respect to the reference line, then sends it to the control stage.

149 3.1.1 Vision Detection Algorithms

150 This section describes the several steps used in the vision pipeline to get the relative position and the
 151 informations needed by the control node. From the input picture, the following steps are applied :

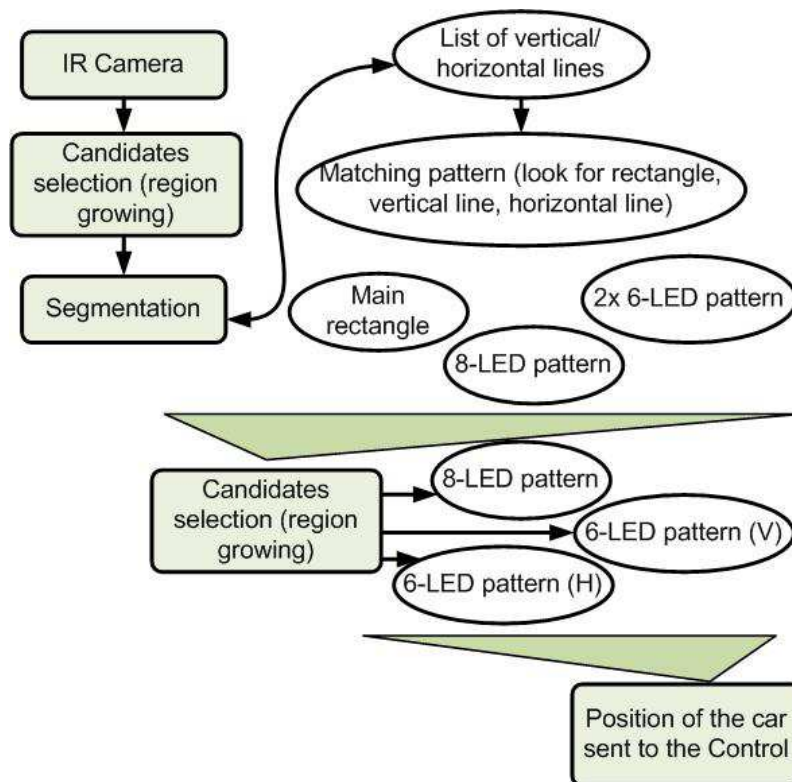
- 152 1. *Maxima selection.* We assume that the LED candidates on the picture are among the brightest
 153 points, and that they correspond to a local maxima. This is very common for the detection of
 154 bright features on a picture.

Figure 5. Detection algorithms using different models

- 155 2. *Region growing*. From the previously selected extrema, region growing is applied to get the bright
 156 area. Region-growing halting criteria are based on brightness gradient, and absolute brightness
 157 level. LEDs models being previously known, a fast model-based selection is used to remove an
 158 initial set of outliers, *ie* bright areas physically too big to be our LEDs. This rejection effectively
 159 handles major light sources, such as car lights, sun light or most secular reflections.
- 160 3. *Model fitting*. A list of vertical and horizontal lines stem from the set of LED candidates previously
 161 detected. Knowing the 3D base model of the station, simple heuristics are used to remove
 162 candidates leading to improper form-factor. In our case, several constants in LEDs relative position
 163 (only two LEDs on top) are easy to use to remove trivial mis-fitting candidates. Moreover, this
 164 step can be simplified for the following detections, a rough initial position for the projected pattern
 165 being given by previous iteration. Several LED sub-models can be tracked on the station, for an
 166 extra robustness against occlusions. In our case, three sub-models can be used while keeping the
 167 POSIT algorithm running (defined by 6 to 8 LEDs), while a rough position can be computed from
 168 the top 4 LEDs (figure 5).
- 169 4. *POSIT algorithm* (detailed in figure 6). This algorithm, detailed in 3.1.2, provides an estimation of
 170 the 6D position and attitude as regards the model from its projection into the camera plane. This
 171 gives a complete determination of the car attitude. POSIT can be run separately on each of the
 172 four models are detected.

173 3.1.2 The POSIT Algorithm

174 This algorithm was first published in [30] by DeMenthon et al., its purpose is to find the pose of an
 175 object with regard to the camera referential from a single image. This is not a simple task, due to the loss
 176 of information consecutive to the projection process from the 3D model to the picture plane. Extensive
 177 pose information typically transfers into six degrees of freedom, degrees which are not necessarily visible
 178 after the projection onto a 2D plane consecutive to the imaging process. In other words, the projection
 179 matrix stemming from the standard pinhole camera model is not invertible.

Figure 6. Summary of the perception pipeline

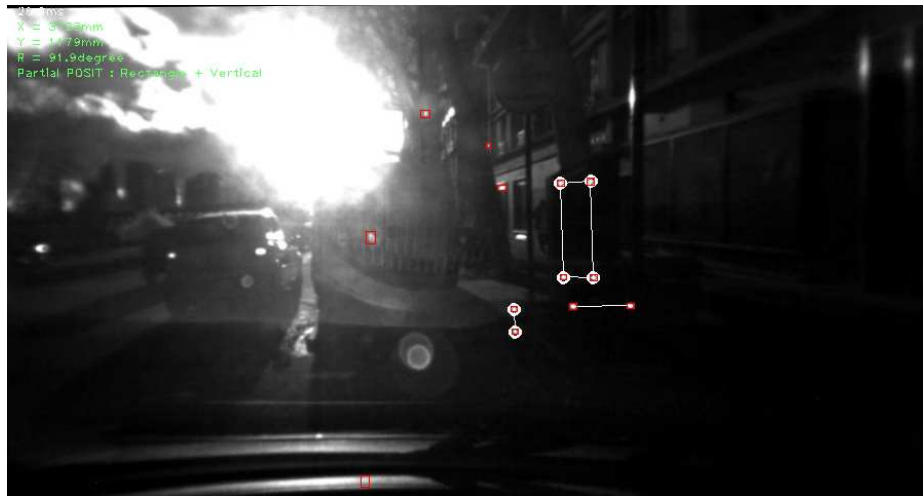
180 It is then compulsory to find an estimation of the pose, with an approach robust enough to handle these
 181 ambiguities gracefully. Several methods were developed over time (see the reference for an extensive
 182 review), but *POSIT* algorithm is now commonly used for this task, due to its very low coding and
 183 computing complexity, and its iterative nature. *POSIT* does not require initial pose estimate, and can run
 184 in real-time on low power hardware.

185 Summing up some of its key ideas, *POSIT* can be split into two steps: pose computation from an
 186 approximated scaled orthographic projection, and an iteration procedure which allows the algorithm
 187 to converge without an initial guess. The scaled orthographic projection is close to a perspective
 188 projection, but differs in that depth coordinates of the model features get the same value in the projection
 189 computation, thus neglecting intra-object depth differences compared to camera-to-object distance. This
 190 effectively linearises the projection process. The iteration procedure consists in computing the mismatch
 191 between the observation ("true" projection of the 3D model onto the image plane) and the computed
 192 scaled orthographic projection, which gives the pose correction step.

193

194 In practice, *POSIT* converges within 10 iterations, and its reliability can be assessed by computing
 195 the model features positions onto the image plane from the computed pose, camera pin-hole model and
 196 the known geometry of the model. A limit of the *POSIT* approximations can however be observed at a
 197 very close range, when the model depth dimension is not negligible compared to the camera-to-object
 198 distance.

199 Figure 7 shows a typical view from the perception system. The docking station is correctly identified
 200 and positioned, as shown by the back projected features of a 6-LED model (white circles) piled onto the
 201 detected LEDs (end of the white lines). This scene shows a difficult situation, because of a low position

Figure 7. Typical view from the system, on the side of a busy road.

202 of the sun (in front of the camera) and some reflections are detected as a "worst-case scenario". Following
 203 the proposed algorithm, an initial region growing algorithm restrained to LEDs reasonable size allows us
 204 to create a list of LED candidates, pictured in red squares on Figure 7. The knowledge of the positions of
 205 the LED relative to one another is then used to remove improbable LEDs configurations. The recognized
 206 configuration is depicted by the white segments in the figure. Finally, the POSIT algorithm can be applied
 207 on this recognised projected pattern, in this case on the 6-LEDs sub-model, and the 3D configuration is
 208 back-projected on the picture, as shown by the white disks. The correspondence between detected LED
 209 positions and 3D projections from the known model and pose is used as a quality check criteria.

210 3.1.3 Filtering

211 Since the information coming from the camera signal are noisy, a signal filtering is required. To this
 212 end, a digital filter implementation in terms based on classical finite impulse response and numerical
 213 differentiation is used. This techniques has been developed in the framework of the project ALIEN ¹,
 214 which is devoted to study and to develop of new techniques in identification and estimation [31].

215 The signal coming from the camera is approximated as a truncated Taylor expansion at order N and
 216 for $t = 0$.

$$x(t) = \sum_{i \geq 0}^N x^{(i)}(0) \frac{t^i}{i!} \quad (1)$$

Then, each processed signal can be extended in a polynomial function of higher degree and derivative coefficient can be calculated by using the Laplace transform. Here, the $x(t)$ and $y(t)$ positions over time are locally represented as a first order polynomial function, $\forall (a_0, a_1) \in \mathbb{R}^2$:

$$x(t) = a_0 + a_1 \cdot t \quad (2)$$

¹<http://raweb.inria.fr/rapportsactivite/RA2010/alien/uid1.html>

In order to smooth the signal, coefficient a_0 for $x(t)$ and $y(t)$ signals must be estimated. Using the Laplace transform and successive calculus transformation, eq (2) can be expressed in the Laplace domain as:

$$\frac{a_0}{s^2} = 2s \frac{X(s)}{s^2} + \frac{1}{s} \frac{dX(s)}{ds} \quad (3)$$

where $X(s)$ is the operational expression of $x(t)$ (and respectively $Y(s)$ with $y(t)$). Using classical operational to time domain transformation rules and Cauchy formula, estimation of the coefficient a_0 can be limited to one integral:

$$a_0 = \frac{2}{T^2} \int_0^T (2T - 3\delta)x(\delta)d\delta \quad (4)$$

where T is the length of the integration window. More details on this technique are provided in [31–33].

3.2. Control

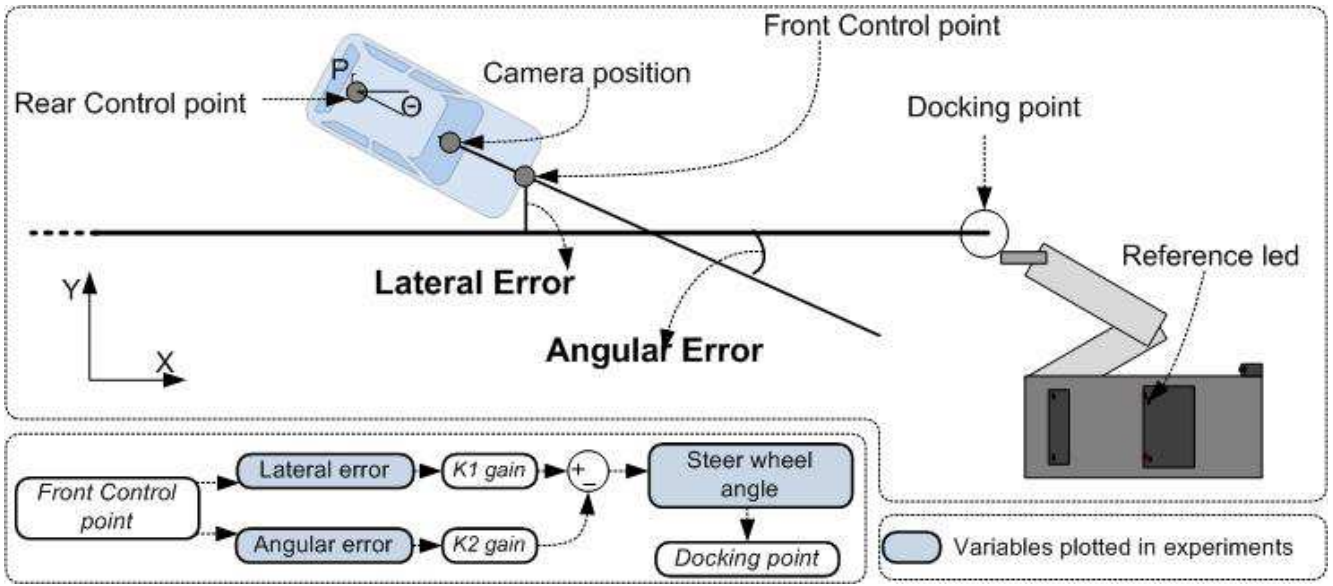
Different environments and conditions (speed, data available, among others) determine the control law used for autonomous vehicles. Since a real vehicle is a multipart system, some works consider complex models or IA techniques to control the vehicle [34,35]. However, under stringent conditions, as low constant speed and the absence of dynamic forces (lateral acceleration is zero), simple kinematic model can be used. Moreover, it is well accepted in the literature to separate the control in lateral (steering wheel) and longitudinal (throttle and brake) for driverless vehicles, both in hardware and software. Consequently, each system can run independently.

For the longitudinal controller, we used a Proportional Integral (PI) to reach the reference speed, and then to reduce the speed when the vehicle is reaching to the docking point. Both controllers, lateral and longitudinal, were tested in previous simulations, showing good results [29]. However, in the real implementation, only the longitudinal control worked appropriately due to the information coming from the camera and that is always available. The bang-bang control law, proposed for the lateral control in [29], has been discarded because the maximum vision range of the camera is limited to [-20, 15] degrees and there is not odometry integrated in the vehicle. Moreover, in this simulation, the footpath, where the charging station is placed, was not considered, therefore the overshoot of this control law can crash the front right wheel with the infrastructure. In this section, a new solution for the lateral control in autonomous docking for electric vehicles is presented.

3.2.1 Kinematic Model

Due to the low speed of our application, the centrifugal force is considered as despicable, the wheel slipping and the forces transferred between wheels of the same axle track are approximated to zero. Moreover, the radius of curvature is assumed bigger than the wheel base. Therefore, the kinematic model is estimated by the standard bicycle or Ackerman model [36,37], considering that the two front wheels turn without different speed, and the rotation center is the medium between them. The differential equations, describing the movement in a Cartesian plane (x, y), are as follow:

$$\frac{dX}{dt} = V_{(t)} * \cos(\theta) \quad (5)$$

Figure 8. Variables used the autonomous docking and the experiments

$$\frac{dY}{dt} = V_{(t)} * \sin(\theta) \quad (6)$$

$$\frac{d\theta}{dt} = \frac{V_{(t)}}{L} * \tan(\alpha) \quad (7)$$

243 where θ is the orientation angle with respect to plane XY , α is the steering angle of the front wheel, L
 244 is the wheel base, and $V_{(t)}$ is the longitudinal speed. The point X and Y are defined with respect to the
 245 center of the rear axle of the vehicle. Simulation presented in [29] shows good results controlling the
 246 rear point (figure 8). However, due to the high precision needed in our application (the vehicle has to
 247 reach the docking point with error of ± 5 cm), it is necessary to translate the control point to the front.
 248 The bottom left part of figure 8 shows a block diagram with the input variables used in the control stage,
 249 as well as the steering angle output, which reaches the docking point. The next module explains the
 250 considerations to this end.

251 3.2.2 Front Control Point

252 Information coming from the camera provides the position (in Cartesian coordinates) and the angular
 253 error from the reference line (in radians) regarding to the camera position (figure 8). The aim of this new
 254 module is to calculate the coordinates of the control position from the coordinates of the camera, and
 255 also to fit the angle error.

256 Table 1 shows the properties measured from the docking point to the 'reference LED' to calculate the
 257 position (figure 8). The Ang_{offset} is the balance of the camera with respect to the reference line, since
 258 it is slightly turned to capture more LEDs in the right side of the vehicle. The $Dist_{target}$ is the distance
 259 from the camera (in the rear-view mirror) to the nose of the vehicle (where the front control point is
 260 placed). The X_{offset} and Y_{offset} are offset distances from the reference LED to the docking point (figure
 261 8).

Table 1. Parameters to calculate the front control point

Parameters	Values
$Dist_{target}$	1.17 meters
X_{offset}	1 meter
Y_{offset}	1.36 meters
Ang_{offset}	2.3 degress

262 The new control points, and the angular error are calculated as follow:

$$Angle_{new} = Angle_{camera} - \frac{Ang_{offset} * \pi}{180} \quad (8)$$

$$X_{front} = X_{camera} - \cos(Angle_{new}) * Dist_{target} - X_{offset} \quad (9)$$

$$Y_{front} = Y_{camera} + \sin(Angle_{new}) * Dist_{target} - Y_{offset} \quad (10)$$

263 3.2.3 Lateral Control

264 Two control variables that were used for the lateral control law are the lateral and angular errors, as
 265 proposed in previous works [37,38]. Both errors are calculated in the front control point (in meters) and
 266 reference line (in degrees) respectively. K_1 and K_2 are the gains fixed manually on the vehicle. The
 267 first has a proportional effect in control action, since it is associated to error in Y . Otherwise, K_2 has a
 268 derivative influence in the control behavior $\frac{dY}{dt}$. From equation 6 two facts can assumed: the speed is
 269 constant in our experiments and the orientation angle (θ) is small (constraints of the camera information).
 270 Then, equation 6 can be rewritten as follows:

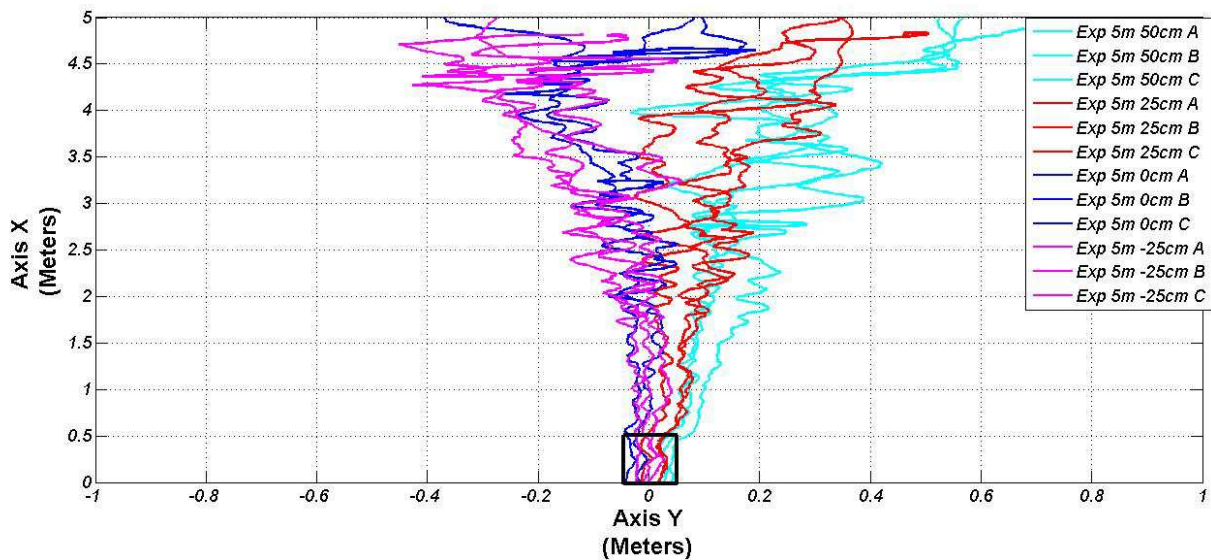
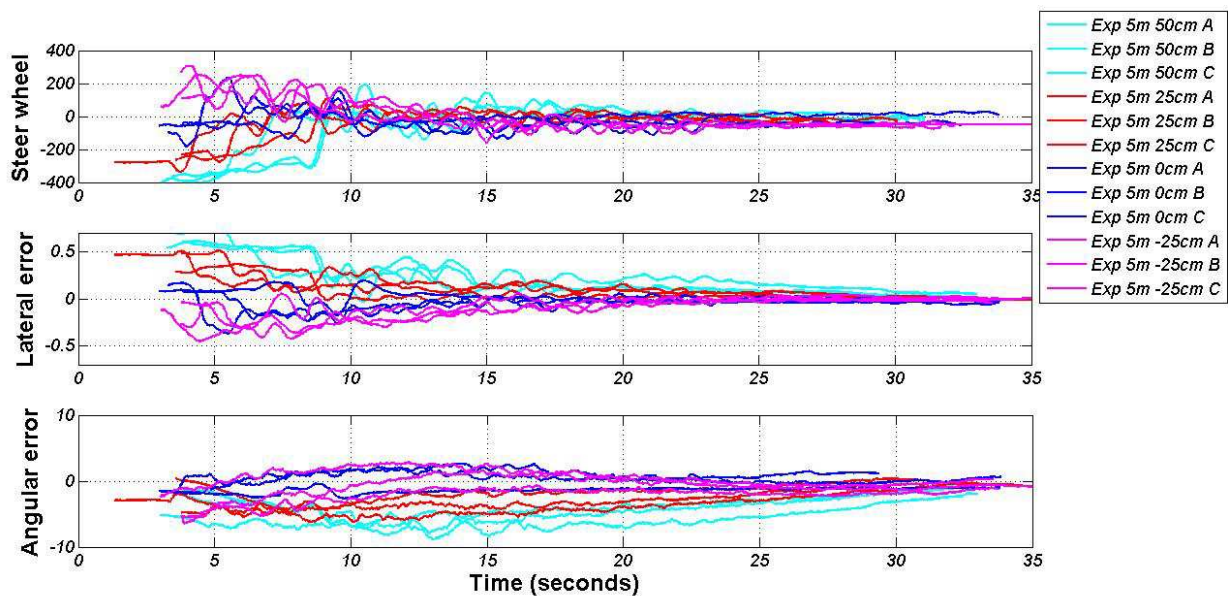
$$\frac{dY}{dt} = V * \theta \quad (11)$$

271 where θ is proportional to $\frac{dY}{dt}$ (angular error). Therefore, K_2 has a derivative action in our system.
 272 According to the control systems controlled by a PD, K_1 reduces the lateral error (meters) and K_2 helps
 273 to avoid oscillations and allows a faster and softer output. The final values used -not normalize steering
 274 wheel output- are 700 and 45 respectively. Finally, an explicit form of the control law used, showing the
 275 proportional and derivative terms -according to the reference line (Lat_{error})- is rewritten as follows:

$$U(t) = K_1 * Lat_{error} - K_2/V * \frac{dLat_{error}}{dt} \quad (12)$$

276 4. Results and Discussion

277 After the authentication of the perception system, a validation of the entire system implemented in
 278 our electric vehicle is described (Figure 1). They illustrate the performance from different X and Y
 279 starting points (from 3 to 5 meter, and 0 to 50 centimeters, respectively). Due to the footpath, the
 280 negativDve values of Y axes are not considered for real implementation. However, one experiment has

Figure 9. Validation tests -positioning-**Figure 10.** Validation tests -input variables and action lateral controller-

281 completed from -25 centimeters to validate our control architecture. All the experiments performance
 282 in the subsection were carried out in the INRIA facilities with the same vehicle, charging station and
 283 perception system described in section 2.1. Figure 9 shows four different validation tests. Every
 284 experiment was executed three times around the same starting reference. This figure shows the position
 285 in Cartesian coordinates, coming from the front control point module, described in section 3.2.2. In the
 286 lower middle part of the same figure, a reference square shows that the vehicle arrives with a small error
 287 to the docking point ($\leq \pm 5$ cm).

288 The upper picture in figure 10 shows the steering wheel control output according to each experiment.
 289 The light blue graphic (departure point 5 meters and 50 cm for X and Y axes, respectively) shows that
 290 the steering wheel is turning around -400 degrees, and then softly it returns to the center. The trajectory

Table 2. Departure and arrival points in different situations

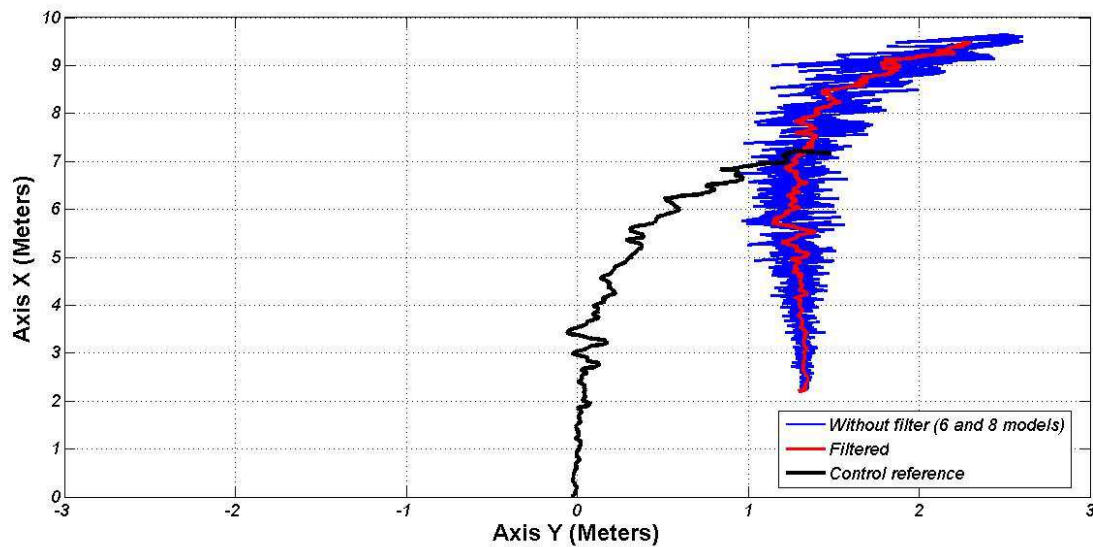
Experiments	Actual Positions and yaw					
	Departure			Arrival		
	X_{mm}	Y_{mm}	Y_{aw}	X_{mm}	Y_{mm}	Y_{aw}
X=5m and Y=50cm	4988.6	481.4	-2.8	27.1	26.0	-3.2
	4963.7	479.2	0.6	37.0	-8.2	-2.1
	4980.4	442.1	4.9	31.5	-2.9	-2.0
X=5m and Y=25cm	5010.5	308.9	-0.2	17.5	-5.1	-1.8
	5011.6	299.3	2.8	33.7	6.7	-1.1
	4996.7	250.2	-1.8	40.0	-3.9	-1.9
X=5m and Y=0cm	5018.9	-14.5	1.4	20.8	14.5	-0.6
	5002.2	-125.2	1.1	-25.8	16.2	-0.2
	5004.0	-24.1	2.2	37.1	28.9	1.1
X=5m and Y=-25cm	5022.0	-251.4	1.3	24.0	32.9	0.7
	5012.9	-202.7	-2.7	17.1	21.3	-0.1
	5015.5	-260.8	-0.9	23.4	25.3	0.3
X=3m and Y=25cm	3026.4	191.7	0.6	40.0	-1.0	-1.4
	3041.8	261.1	1.1	24.5	9.4	-2.2
	3122.5	260.7	-1.1	22.8	-15.9	-2.6

291 is continuous and without overshoot due to the filtering of the input variables (section 3.1.3). The middle
 292 and the lower pictures show the evolution of both input variables: the lateral and angular error. Both
 293 have a tendency to zero, and the error in both lateral and angular (yaw) are small (table 2), creating a
 294 good docking between vehicle and infrastructure charging arm. The lateral error has been measured with
 295 an external distance measure laser in order to have real values concerning to the distance between the
 296 vehicle and the docking point.

297 Table 2 shows the departure and arrival points in every experiment in millimeters, as well as the yaw
 298 of the vehicle. Both lateral and longitudinal controllers have reached the minimal error permitted in our
 299 application. The averages of the lateral and longitudinal errors, considering the set of experiments are
 300 24.7 and 9.61 millimeters, respectively. Both errors are low, and the vehicle docks inside the valid range
 301 ($\leq \pm 50$ mm). Moreover, the arrival yaw is also low (the root mean square error is 1.05 degrees). It is
 302 important in order to have a better docking in the charging station.

303 Finally, an experiment from a greater distance, both in X and Y axes (7.5 and 1.25 meters,
 304 respectively), have been performed. Figure 11 shows the position in Cartesian coordinates from the
 305 perception system, filtered and translated to the front control point. As in the previous experiments, the
 306 vehicle reaches the docking point with error lower than 5cm.

307 Figure 12 shows the evolution of the steering position and both input variables. The control action is
 308 soft and continuous, and the vehicle never overpasses the reference line (zero in the Y axis). Around 20 s
 309 of the experiment, the vehicle arrived to center of the docking line, but it is not completely straight, then
 310 the angular action turn the steering wheel until (35 s) the vehicle reaches the docking point with a lateral

Figure 11. Positions gave from the perception system in the final experiment

311 and angular error of 2 cm and 0.4 degrees, respectively. Then, the automatic charging arm is ready to
312 charge the batteries.

313 5. Conclusions and Future Works

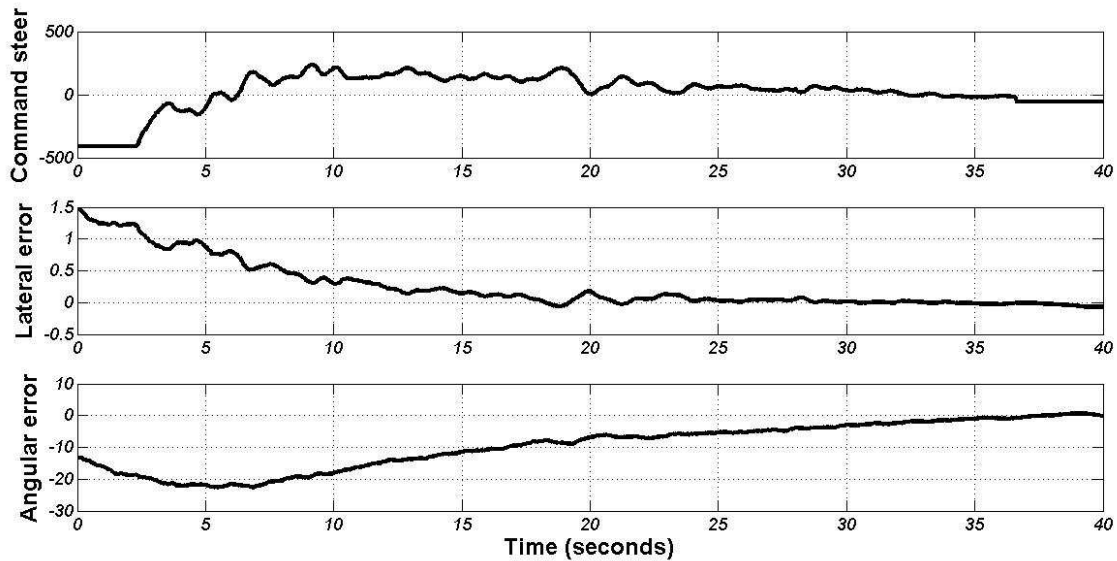
314 In this work, control architecture for autonomous docking systems, based on an embedded perception
315 system in an autonomous electric vehicle and a recharging station for urban parking areas is presented.
316 Our approach has been developed under the framework of the AMARE project, using the information
317 provided by an infrared camera and diodes installed in the recharging station. The information from this
318 sensor had been processed and filtered, and then sent to the control stage, for the automatic docking of
319 the vehicle. The proposed architecture is easily adaptable to any commercial electric vehicle.

320 Different experiments, departing from different points, show a good behaviour of the proposed
321 system. Both lateral and longitudinal errors are lower than the limits of the charging station. The proposed
322 controller is easy and intuitive for tuning, and the gains can be adapted according to the different vehicles
323 characteristics. This technology assists to human drivers in the charging and docking process of electric
324 vehicles in cities.

325 The system presented in this paper is actually working in a real scenario on the city of Paris ² as a
326 permanent demonstrator of the AMARE project.

327 The proposed work relies solely on the information from the camera on board the vehicle. When the
328 charging station is out-of-range, the camera is obstructed, the signal is too noisy or is lost (v.g. if the
329 steering wheel turns a lot), the autonomous docking manoeuvre is stopped until the signal is perceived
330 again. For this reason, other sensors and data information may be added to the control architecture
331 proposed, such as: CAN frame data or odometer data, in order to increase the redundancy and the
332 robustness of the system in future works. Moreover, actions over the gear shift can be considered for
333 more constrained scenarios.

²http://www.modulowatt.com/Modulowatt_video_Mobilier_Urbain_Intelligent_fr.html

Figure 12. Lateral command and variables of the control in the last experiment

334 Acknowledgements

335 This work was supported by the projet Amare, financed by ADEME (*Agence de l'Environnement et*
 336 *de la Maîtrise de l'Energie*)

337 References

- 338 1. Lin, B.F.; Chan, Y.M.; Fu, L.C.; Hsiao, P.Y.; Chuang, L.A.; Huang, S.S. Incorporating
 339 appearance and edge features for vehicle detection in the blind-spot area. *Proc. 13th Int*
 340 *Intelligent Transportation Systems (ITSC) IEEE Conf*, 2010, pp. 869–874.
- 341 2. Bansal, M.; Das, A.; Kreutzer, G.; Eledath, J.; Kumar, R.; Sawhney, H. Vision-based Perception
 342 for Autonomous Urban Navigation. *IEEE International Conference on Intelligent Transportation*
 343 *Systems (ITSC)*, 2008, pp. 434–440.
- 344 3. Puthon, A.S.; Nashashibi, F.; Bradai, B. A complete system to determine the speed limit by
 345 fusing a GIS and a camera **2011**. pp. 1686–1691. ANR.
- 346 4. Llorca, D.F.; Milanés, V.; Alonso, I.P.; Gavilán, M.; Daza, I.G.; Pérez, J.; Sotelo, M.A.
 347 Autonomous Pedestrian Collision Avoidance Using a Fuzzy Steering Controller. *IEEE*
 348 *Transactions on Intelligent Transportation Systems* **2011**, *12*, 390–401.
- 349 5. Paromtchik, I.; Laugier, C. Motion generation and control for parking an autonomous vehicle.
 350 *IEEE International Conference on Robotics and Automation (ICRA)*, 1996, Vol. 4, pp. 3117
 351 –3122 vol.4.
- 352 6. Final Report: Study on Clean Transport Systems. Technical report, European Commission,
 353 Directorate-General for Mobility and Transport, 2011.
- 354 7. Xia, T.; Yang, M.; Yang, R.; Wang, C. CyberC3: A Prototype Cybernetic Transportation System
 355 for Urban Applications. *IEEE Transactions on Intelligent Transportation Systems* **2011**, *11*, 142–
 356 152.

- 357 8. Bouraoui, L.; Boussard, C.; Charlot, F.; Holguin, C.; Nashashibi, F.; Parent, M.; Resende, P. An
358 on-demand personal automated transport system: The CityMobil demonstration in La Rochelle.
359 IEEE Intelligent Vehicles Symposium (IV), 2011, pp. 1086–1091.
- 360 9. Harris, A. Charge of the electric car - [power electric vehicles]. *Engineering Technology* **2009**,
361 *4*, 52–53.
- 362 10. Budhia, M.; Covic, G.; Boys, J. A new IPT magnetic coupler for electric vehicle charging
363 systems. 36th Annual Conference on IEEE Industrial Electronics Society (IECON), 2010, pp.
364 2487–2492.
- 365 11. Etezadi-Amoli, M.; Choma, K.; Stefani, J. Rapid-Charge Electric-Vehicle Stations. *IEEE*
366 *Transactions on Power Delivery* **2010**, *25*, 1883–1887.
- 367 12. Naranjo, J.; Bouraoui, L.; Garcia, R.; Parent, M.; Sotelo, M. Interoperable Control Architecture
368 for Cybercars and Dual-Mode Cars. *IEEE Transactions on Intelligent Transportation Systems*
369 **2009**, *10*, 146–154.
- 370 13. Bouraoui, L.; Petti, S.; Laouiti, A.; Fraichard, T.; Parent, M. Cybercar Cooperation for Safe
371 Intersections. IEEE International Conference on Intelligent Transportation Systems Conference
372 (ITSC), 2006, pp. 456–461.
- 373 14. Moriwaki, K. Mathematical modeling and control of an autonomous electric vehicle for
374 navigation and guidance. IEEE International Electric Vehicle Conference (IEVC), 2012, pp.
375 1–8.
- 376 15. Yih, P.; Gerdes, J.C. Modification of vehicle handling characteristics via steer-by-wire **2005**.
377 *13*, 965–976.
- 378 16. Pérez, J.; Gajate, A.; Milanés, V.; Onieva, E.; Santos, M. Design and Implementation of a
379 Neuro-Fuzzy System for Longitudinal Control of Autonomous Vehicles. Proc. IEEE World
380 Congress on Computational Intelligence WCCI 2010, 2010, pp. 1–5.
- 381 17. Milanés, V.; Naranjo, J.; Gonzalez, C.; Alonso, J.; de Pedro, T. Autonomous vehicle based in
382 cooperative GPS and inertial systems. *Robotica* **2008**, *26*, 627–633.
- 383 18. Mao, X.; Wada, M.; Hashimoto, H. Nonlinear GPS models for position estimate using low-cost
384 GPS receiver. Proceedings Intelligent Transportation Systems Conference (ITSC), 2003, Vol. 1,
385 pp. 637–642 vol.1.
- 386 19. Xie, J.; Nashashibi, F.; Parent, M.; Favrot, O. A real-time robust global localization for
387 autonomous mobile robots in large environments. 11th International Conference on Control
388 Automation Robotics Vision (ICARCV), 2010, pp. 1397–1402.
- 389 20. Zhang, X.; Rad, A.; Wong, Y. Sensor Fusion of Monocular Cameras and Laser Rangefinders
390 for Line-Based Simultaneous Localization and Mapping (SLAM) Tasks in Autonomous Mobile
391 Robots. *Sensors* **2012**, *12*(1), 429–452.
- 392 21. Jia, Z.; Balasuriya, A.; Challa, S. Autonomous Vehicles Navigation with Visual Target Tracking:
393 Technical Approaches. *Sensors* **2008**, *1*(2), 153–182.
- 394 22. Silverman, M.; Nies, D.; Jung, B.; Sukhatme, G. Staying alive: a docking station for autonomous
395 robot recharging. IEEE International Conference on Robotics and Automation (ICRA), 2002,
396 Vol. 1, pp. 1050–1055 vol.1.

- 397 23. Cassinis, R.; Tampalini, F.; Bartolini, P.; Fedrigotti, R. Docking and charging system for
398 autonomous mobile robots. *Department of Electronics for Automation, University of Brescia,*
399 *Italy* **2005**.
- 400 24. Luo, R.; Liao, C.; Su, K.; Lin, K. Automatic docking and recharging system for autonomous
401 security robot. *IEEE/RSJ International Conference on Intelligent Robots and Systems (IROS),*
402 *2005*, pp. 2953 – 2958.
- 403 25. Singh, H.; Bellingham, J.; Hover, F.; Lemer, S.; Moran, B.; von der Heydt, K.; Yoerger, D.
404 Docking for an autonomous ocean sampling network. *IEEE Journal of Oceanic Engineering*
405 **2001**, *26*, 498 –514.
- 406 26. Bleijs, C.; Normand, O. A fully automatic station using inductive charging techniques. *Proc. of*
407 *the Thirteenth Int. Symp. on Electric Vehicle, Osaka, J, 1996*.
- 408 27. Wong, J.; Nejat, G.; Fenton, R.; Benhabib, B. A neural-network approach to high-precision
409 docking of autonomous vehicles/platforms. *Robotica* **2007**, *25*, 479–492.
- 410 28. Martin, J. Design for implementation: fully integrated charging & docking infrastructure used in
411 Mobility-on-Demand electric vehicle fleets. PhD thesis, Massachusetts Institute of Technology,
412 2012.
- 413 29. Petrov, P.; Boussard, C.; Ammoun, S.; Nashashibi, F. A hybrid control for automatic docking
414 of electric vehicles for recharging. *IEEE International Conference on Robotics and Automation*
415 *(ICRA), 2012*, pp. 2966 –2971.
- 416 30. DeMenthon, D.F.; Davis, L.S. Model-based object pose in 25 lines of code. *International Journal*
417 *of Computer Vision* **1995**, *15*, 123–141.
- 418 31. Fliess, M.; Join, C.; Sira-Ramirez, H. Non-linear estimation is easy. *Int. J. Modelling*
419 *Identification and Control* **2008**, *4*, 12–27.
- 420 32. Fliess, M.; Sira-Ramírez, H. An algebraic framework for linear identification. *ESAIM: Control,*
421 *Optimisation and Calculus of Variations* **2003**, *9*, 151–168.
- 422 33. Mboup, M.; Join, C.; Fliess, M. Numerical differentiation with annihilators in noisy environment.
423 *Numerical Algorithms* **2009**, *50*, 439–467. 10.1007/s11075-008-9236-1.
- 424 34. Villagrà, J.; Milanés, V.; Pérez, J.; Godoy, J. Smooth path and speed planning for an automated
425 public transport vehicle. *Robotics and Autonomous Systems* **2012**, *60* (2), 252–265.
- 426 35. Pérez, J.; Milanés, V.; Onieva, E. Cascade Architecture for Lateral Control in Autonomous
427 Vehicles. *IEEE Transactions on Intelligent Transportation Systems* **2011**, *12*, 73–82.
- 428 36. Ackermann, T.B.J.; Bünte, T.; Odenthal, D. Advantages of Active Steering for Vehicle Dynamics
429 Control. *German Aerospace Center* **1999**, *99ME013*.
- 430 37. Sotelo, M.A. Lateral control strategy for autonomous steering of Ackerman-like vehicles.
431 *Robotics and Autonomous Systems* **2003**, *45*, 223–233.
- 432 38. Pérez, J.; Milanés, V.; de Pedro, T.; Vlacic, L. Autonomous driving manoeuvres in urban road
433 traffic environment: a study on roundabouts. *18th World Congress of the International Federation*
434 *of Automatic Control (IFAC), 2011*, pp. 1–5.

435 © January 23, 2013 by the authors; submitted to *Sensors* for possible open access
436 publication under the terms and conditions of the Creative Commons Attribution license
437 <http://creativecommons.org/licenses/by/3.0/>.