



HAL
open science

An infrastructure for formally ensuring interoperability in a heterogeneous semantic web

Jérôme Euzenat

► **To cite this version:**

Jérôme Euzenat. An infrastructure for formally ensuring interoperability in a heterogeneous semantic web. Proc. 1st semantic web working symposium (SWWS), Jul 2001, Stanford, United States. pp.345-360. hal-00822913

HAL Id: hal-00822913

<https://inria.hal.science/hal-00822913>

Submitted on 21 May 2013

HAL is a multi-disciplinary open access archive for the deposit and dissemination of scientific research documents, whether they are published or not. The documents may come from teaching and research institutions in France or abroad, or from public or private research centers.

L'archive ouverte pluridisciplinaire **HAL**, est destinée au dépôt et à la diffusion de documents scientifiques de niveau recherche, publiés ou non, émanant des établissements d'enseignement et de recherche français ou étrangers, des laboratoires publics ou privés.

An infrastructure for formally ensuring interoperability in a heterogeneous semantic web

Jérôme Euzenat

*INRIA Rhône-Alpes,
655 avenue de l'Europe, 38330 Montbonnot Saint-Martin (France)
Jerome.Euzenat@inrialpes.fr
Tel. +33 476 61 53 66 — Fax. +33 476 61 52 07*

ABSTRACT: Because different applications and different communities require different features, the semantic web might have to face the heterogeneity of the languages for expressing knowledge. Yet, it will be necessary for many applications to use knowledge coming from different sources. In such a context, ensuring the correct understanding of imported knowledge on semantic ground is very important. We present here an infrastructure based on the notions of transformations from one language to another and of properties satisfied by transformations. We show, in the particular context of semantic properties and description logics markup language, how it is possible (1) to define properties of transformations, (2) to express, in a machine processable form, the proof of the property and (3) to construct by composition a proof of properties satisfied by composed transformations. All these functions are based on extensions of current web standard languages. The proofs can be used at transformation time for checking the validity of asserted properties. Such an infrastructure ensures the safe importation of knowledge from various sources.

KEYWORDS: Transformation, Description logic, Consequence preservation, Proof representation, Proof checking, Transformation composition, Proof composition, Semantic web, XML, XSLT, RDF, DSD, OMDoc, DLML, Transmorpher.

An infrastructure for formally ensuring interoperability in a heterogeneous semantic web

Jérôme Euzenat

INRIA Rhône-Alpes

1. INTRODUCTION

The idea of a “semantic web” [Berners-Lee 2001] supplies the web as we know it (informal) with annotations expressed in a machine-processable form and linked together. Taking advantage of this semantic web will require the manipulation of knowledge representation formalisms.

There are several reasons why the semantics web could suffer from diversity and heterogeneity. One main reason is that it depends on content providers and content providers have diverse goals and focus of interest that will not lead them to invest on the same area of the semantic web. Yet these areas of interest will meaningfully overlap and putting this content together will be required for taking advantage of them in unexpected applications. Another reason arises from the observation that the web sites and web pages are more often generated on demand in function of the device on which they will be displayed and the preferences of the users in order to be up to date and adapted to the target. There is no reason why the semantic web resources would not require the same kind of operations. There are several other reasons for expecting heterogeneity among which legacy knowledge bases and systems, learning curves...

Our work aims at enhancing content understanding. This concerns work on the intelligibility of communicated knowledge and work on formal knowledge transformations. Work on the semantic web is essentially based on the notion of ontology (that can be quickly described as conceptual schemes of knowledge bases). Even if there exists one day a standard knowledge representation language, it will be necessary to import, merge and exchange ontologies in such a way that the semantics of their representation language is taken care of [Wiederhold 1999]. Bringing solutions to this problem is among our ambitions.

Because we think that nothing best can happen to the semantic web than having well suited languages for each task while preserving interoperability, we aim at providing a path toward this goal. This paper is a short description of the technicalities involved in one solution to interoperability despite diversity.

This solution is based on the notion of transformations across representation languages and properties satisfied by transformations. It is exemplified on a family of description logic languages and semantic properties.

The first step will assume that knowledge is expressed in the semantic web through languages expressed in XML. The kind of languages considered here are knowledge representation languages provided with a model-theoretic semantics. For reasons explained later, it will be convenient to have this semantics expressed in a machine-readable format and we have put forth a document semantics description enabling to express this kind of semantics in an XML document. We will focus, for the sake of the explanation, on a family of related languages, the description logic family (§2). Then, it will be considered that when one wants to import some knowledge from one language to another, it will do it by transforming the initial knowledge (§2.2). In that process, XSLT can be used in order to express the transformation. From one language to another, there can exist many different transformations. So one can describe the desired transformation through the kind of interoperability that is required, i.e. the properties that must be satisfied by the transformations. We will introduce (§3) some of these properties related to semantic interoperability (but other properties can come into play). Semantic properties can be expressed in function of the semantic description of the languages. These properties can be attached to the transformation so that people can choose a transformation on the web based on the satisfied properties. We will show how, this can come for free when the transformation is directly generated from a constructive proof (§4). Moreover, if one has proved the property, then it can be attached to the transformation too so that the semantic web application can proof-check the property before using the transformation. We will present the enabling technologies for this proof-checking activity. Once checked, transformations gathered from the web can be composed in a new transformation and the proofs into a new proof. The resulting transformation and proof can be published on the web (§5).

The present paper presents the different components of such architecture. First, the XML-encoded knowledge representation languages DLML and the kind of transformations that can be performed on these languages (§2). Then several consequence-preserving properties are introduced (§3). The proofs of the properties are expressed in order to be manipulated by machine and especially used for proof checking (§4). Last, we introduce an environment for building, proving and publishing transformation and proofs by composition (§5).

The presentation will be based on a very simple running example. It demonstrates the way such an interoperability framework could be implemented on the semantic web. This example has been taken from [Euzenat 2001c]. It consists of merging one technical support ontology written in DAML-ONT and a printer ontology written in OIL and translating the result in the SHIQ language for which the FaCT reasoner can perform subsumption test. For that purpose, we will have to translate the initial representation in a language of DLML. Then, both representations will be merged and the result is applied three transformations aiming at suppressing unwanted constructors (viz. `domain`, `one-of` and `cexcl`). The complete example has been implemented in DLML and XSLT.

2. A FAMILY OF REPRESENTATION LANGUAGES : DLML

In order to simplify the presentation and to facilitate the transformations, we will restrict ourselves to a family of languages that acts as pivot languages between the actual representation languages used in the semantic web.

In the present presentation, a language L will be a set of expressions. A representation (r) is a set of expressions in L . In this framework, a model of a set of assertions $r \subseteq L$, is an interpretation I satisfying all the assertions in r . An expression δ is said to be a consequence of a set of expression r if it is satisfied by all models of r (this is noted $r \models_L \delta$). A family of languages is a set \mathbf{L} of languages that share constructors having the same interpretation in all the languages. A family can be structured such that there always exist a language $L \vee L'$ such that any formula of L or L' is a formula of $L \vee L'$. The family of languages approach is an interesting case, because it allows a fast implementation of meaning-preserving transformations. Using a family of languages makes the representations easier to understand because the elements have the same meaning across languages. It will enable to fragment these transformations into unit transformations and to assess precisely the properties of the transformations.

A good example of a family of language is the description logics for which an extensive hierarchy of languages has been defined [Donini 1994].

The presentation will focus on the family of languages on which we have carried out experiments: our “Description Logic Markup Language” (DLML). DLML [Euzenat 2001d] is a modular system of document type descriptions (DTD) encoding the syntax of many description logics (§2.1). The actual system contains the description of more than 40 constructors and 25 logics. To DLML is associated a set of transformations (written in XSLT) allowing to convert a representation from a logic to another (§2.22.1).

Note that we do not put forth DLML as the standard language of the web but rather as one of the many languages that can be used for transformation purposes. DLML is used here as a proof of concept. The general framework, however, will work with other pivot languages.

2.1 Modular Encoding

Description logics allow manipulating two kinds of terms: concepts and roles. Below are one role description stating that the role `inktype` has for domain of application the `inkprinter` concept and one concept term descriptions stating that a `ColorInkPrinter` is an `InkPrinter` whose `inktype(s)` are all instances of the `ColorInkType` concept.

```
inktype ≤ (domain Inkprinter)
ColorInkPrinter ≤ (and InkPrinter (all inktype ColorInkType))
```

Term descriptions are built from sets of atomic concept (resp. role) names and term constructors. They are constrained by equations of the kind above where two terms are related by a formula constructor (here \leq). A terminology is a set of such equations.

Concept terms are interpreted as set of individuals of the domain of interpretation and roles are sets of pair of individuals. The interpretation I of the constructors above is :

$$\begin{aligned}
 I((\text{and } c_1, \dots, c_n)) &= I(c_1) \cap \dots \cap I(c_n) \\
 I((\text{all } r \ c)) &= \{ x \in D ; \forall y ; \langle x, y \rangle \in I(r) \Rightarrow y \in I(c) \} \\
 I((\text{inv } r)) &= \{ \langle x, y \rangle ; \langle y, x \rangle \in I(r) \} \\
 I((\text{domain } c)) &= \{ \langle x, y \rangle ; x \in I(c) \}
 \end{aligned}$$

As usual, a model of a terminology is an interpretation I which satisfies all the assertions of the terminology.

DLML takes advantage of the modular design of description logics by describing individual constructors separately. The modular encoding of the description logics is made of three kind of DTD: atoms (introducing the atomic terms), term constructors (e.g., `all`, `and`, `not`) and formula constructors (e.g. `=`, `≤`). An arbitrary number of these XML files are put together in order to form a particular logic.

For instance below is the content of the DTD of the `INV` (converse of a role) constructor:

```
<!ELEMENT dl:INV (%dl:RDESC;)>
```

We have also defined the notion of Document Semantic Description (DSD) which enables to describe the formal semantics of a XML language (just like the DTD or schemas expresses the syntax). To the DTD above is associated a DSD describing the semantics of the operator:

```
<dsd:denotation match="dl:INV">
  <mml:eq/>
  <mml:apply>
    <mml:inverse/>
    <!-- converse for binary relations -->
    <dsd:apply-interpretation select="*[1]"/>
  </mml:apply>
</dsd:denotation>
```

In the experimental DSD language, the XML element are identified by XPATH [Clark 1999b] expressions (`dl:INV` or `*[1]` standing for any term of constructor `INV` and any first argument of the term). The syntax is very similar to that of XSLT [Clark 1999a] (with `denotation`, `interpretation` and `apply-interpretation` corresponding to `template` and `apply-template`). The remainder of the expressions is mathematical symbols expressed in MathML [Carlisle 2001].

The DLML family of languages contains the DTD and DSD of all the covered operators and is able to build automatically from the description of a logic those of that logic. This is achieved through a DLML logic description file, which is described as follows:

```

<?xml version="1.0" encoding="UTF-8" standalone="no" ?>
<!DOCTYPE dlml:logic SYSTEM "dlml.dtd">

<dlml:logic name="shiq" version="1.0">
  <dlml:atoms/>

  <dlml:cop name="anything"/>
  <dlml:cop name="nothing"/>
  <dlml:cop name="and"/>
  <dlml:cop name="or"/>
  <dlml:cop name="not"/>
  <dlml:cop name="all"/>
  <dlml:cop name="some"/>
  <dlml:cop name="csome"/>
  <dlml:cop name="catleast"/>
  <dlml:cop name="catmost"/>
  <dlml:rop name="inv"/>
  <dlml:rop name="trans"/>

  <dlml:cint name="cprim"/>
</dlml:logic>

```

From this description, two XSLT stylesheets are able to generate the DTD and DSD corresponding to the language. They can be used for expressing SHIQ terminologies in XML.

These DTDs can be referred to in XML documents by the insertion of (for SHIQ):

```
<!DOCTYPE CONCEPT SYSTEM "shiq.dtd">
```

and imported by other DTD s with:

```
<!ENTITY % SHIQDTD SYSTEM "shiq.dtd">
%SHIQDTD;
```

This way, every constructor is defined only once and has just to be added for describing a new logic.

2.2 Transformations

What can such a DTD for description logics be good for? Generally speaking, XML is very practical for transforming from a format to another. A transformation is an algorithmic manner to generate a representation from another (not necessarily in the same language). A transformation $\tau:L \rightarrow L'$, from a representation r of L generates a representation $\tau(r)$ in L' .

More precisely, we take advantage of the XSLT transformation language (“XML Style Language Transformations” [Clark 1999a]) recommended by W3C, for witch we put forward a compound transformation language (see §5.1).

The first application is the import and export of terminologies from a description logic. In our example, the representations in OIL and DAML-ONT are imported in DLML through transformations. They are then merged and applied three successive steps (inspired by those of OIL [Horrocks 2000]): the three steps concern the suppression of the DOMAIN constructor with

the help of the ALL and INV constructors (domain2allinv), the suppression of the ONE-OF constructor with the help of new exclusive concepts (oneof2orcexcl) and the elimination of the exclusion introducers with the help of the NOT constructor (cexcl2not). Then, the result is exported to SHIQ (the FaCT system [Bechhofer1999a] has an XML entry point). These transformation are simple XSLT stylesheets.

The piece of stylesheet presented below converts a terminology containing the DOMAIN restrictions on roles (attributes) in a terminology which replaces them by a ALL constraint on the inverse (INV) of the role applied on the whole universe (ANYTHING).

```
<xsl:template match="dl:TERMINOLOGY">
  <dl:TERMINOLOGY>
    <xsl:comment>Introduction of the DOMAIN</xsl:comment>
    <dl:CPRIM>
      <dl:ANYTHING />
      <dl:AND>
        <xsl:apply-templates select="dl:RPRIM " mode="gatherdomain" />
      </dl:AND>
    </dl:CPRIM>
    <xsl:comment>The terminology</xsl:comment>
    <xsl:apply-templates />
  </dl:TERMINOLOGY>
</xsl:template>

<!-- gather domains in role introduction and add this for root -->

<xsl:template match="dl:RPRIM " mode="gatherdomain">
  <dl:ALL>
    <dl:INV>
      <dl:RATOM><xsl:value-of select="dl:RATOM[1]/text()"/></dl:RATOM>
    </dl:INV>
    <xsl:apply-templates select="dl:DOMAIN/*" />
  </dl:ALL>
</xsl:template>

<!-- usual processing -->

<xsl:template match="*|@*|text()">
  <xsl:copy><xsl:apply-templates select="*|@*|text()"/></xsl:copy>
</xsl:template>

<xsl:template match="dl:RPRIM">
  <dl:RPRIM>
    <dl:RATOM><xsl:value-of select="dl:RATOM[1]/text()"/></dl:RATOM>
    <xsl:choose>
      <xsl:when test="dl:DOMAIN">
        <dl:ANYRELATION/>
      </xsl:when>
      <xsl:otherwise><xsl:copy-of select="."/></xsl:otherwise>
    </xsl:choose>
  </dl:RPRIM>
</xsl:template>
```

This stylesheet gather all the `DOMAIN` constraint of relations in a range (`ALL`) constraint of the inverse (`INV`) of the relation and apply it to `ANYTHING`. Then, it reproduces the whole terminology with domain constraints suppressed (i.e. replaced by `ANYRELATION`)¹.

Such simple transformations can be assembled for transforming terminologies in a logic into another, equivalent, one. This is what is achieved in our example involving three transformations.

More often, the transformations are defined by induction on the structure of the terms like the one described for converting from `ALUE` to the equivalent `ALC`, which pushes the negations down the structure of terms. Normalization (used in “normalize and compare” subsumption test strategies [Borgida 1999a]) can also be attempted through `XML` transformations. However, normalization is difficult to implement with `XSLT`, which attempts to prohibits (non structure-based) recursive operations (and thus closure). However, this could be implemented through an `XSLT` super structure (see §5.1).

3. PROPERTIES : CONSEQUENCE PRESERVATION

Operationally, the previous section is sufficient for importing a representation from one language to another. However, it does not provides any idea of what properties are satisfied by each transformation step, nor by the transformation as a whole. In order for the semantic web to be safely used by machines, it is necessary to define what properties have to be satisfied by the transformations. We focus here on the consequence preservation property (a semantic property) which is described in §3.1. In the context of families of languages we have described a set of properties that entails consequence preservation and are more precisely characterized. They will then be presented in the following subsections.

3.1 Transformation properties

A property is a boolean predicate about the transformation (e.g., “preserving information” is such a predicate — it is true or false of a transformation — and is satisfied if there exists an algorithmic means to recover r from $\tau(r)$). We consider more closely preservation properties which can allow the preservation (or anti-preservation) of an order relation between the source representation (r) and the target representation ($\tau(r)$). There can be many properties (content or structure preservation, traceability, and confidentiality...) affecting different aspects of the representations. They can be roughly classified as:

¹ This transformation is not sufficient to eliminate all occurrences of domain. For instance, $(\text{all } (\text{domain } C) C')$ has to be transformed into $(\text{or } (\text{not } C) (\text{all anyrelation } C'))$. But this is sufficient for our demonstration.

- Syntactic properties : like the completion ($\tau(r) \leq r$, in which \leq denotes structural subsumption between representations) ;
- Semantic properties : like consequence preservation ($\tau(r) \Rightarrow r$, i.e. equation 2 below) ;
- Semiotic properties : like interpretation preservation (let σ be the interpretation rules and \models_i be the interpretation of individual i , $\forall \delta \in L, \forall i, j, r, \sigma \models_i \delta \Rightarrow \tau(r), \tau(\sigma) \models_j \tau(\delta)$).

In the context of the communication of formal representations, it is interesting to warrant the preservation of the meaning of the representations. We study semantic interoperability through such transformations. Ensuring semantic interoperability can be defined by the two complementary equations:

$$\forall r \subseteq L, \forall \delta \in L, r \models_L \delta \Rightarrow \tau(r) \models_L \tau(\delta) \quad (1)$$

$$\forall r \subseteq L, \forall \delta \in L, \tau(r) \models_L \tau(\delta) \Rightarrow r \models_L \delta \quad (2)$$

Generalized interoperability is, of course, out of reach. Consequently we study restricted cases of these equations. In the context of the family of language approach we characterized several properties presented below which are more precisely characterized and entails equation (1).

3.2 Language inclusion

The simplest transformation is the transformation from a logic to another syntactically more expressive one (i.e. which adds new constructors). The transformation is then trivial, but yet useful, because the initial representation is valid in the new language, it is thus identity:

$$\forall \delta \in L, r \models_L \delta \Rightarrow r \models_{L'} \delta$$

This trivial interpretation of semantic interoperability is one strength of the “family of languages” approach because, in the present situation, nothing has to be done for gathering knowledge. For this case, one can define the relation between two languages L and L' as $L < L'$ which has to comply with $L \subseteq L'$. We can then define $L = L'$ as equivalent to $L < L'$ and $L' < L$. This defines the syntactic structure of L .

This simple property is satisfied by the merging operation that that put the two representations issued from the DAML-ONT translation and the OIL translation together.

3.3 Model preservation

If $L < L'$ does not hold, the transformation is more difficult. The initial representation r can be restricted to what is (syntactically) expressible in L' : $\tau_{<}(r)$. However, this operation (which is

correct) is incomplete because it can happen that a consequence of a representation expressible in L' is not a consequence of the expression of that representation in L' :

$$\exists \delta \in L'; \tau_{\prec}(r) \not\models_L \delta \text{ and } r \models_L \delta$$

To solve this problem, as stated in [Visser 2000a], it is necessary to deduce from r in L whatever is expressible in L' . Let $\tau_{\prec}(r) = \tau_{\prec}(\text{Cn}(r))$ be this expression. It is such that $\forall r \subseteq L, \forall \delta \in L \wedge L', r \models_L \delta \Rightarrow \tau_{\prec}(r) \models_L \delta$.

The previous proposal is restricted in the sense that it only allows in the target language, expressions expressible in the source language, while there are equivalent non-syntactically comparable languages. This is the case of the description logic languages ALC and ALUE which are known to be equivalent while none has all the constructors of the other. For that purpose, one can define $L \prec L'$ if and only if the models are preserved, i.e.

$$\exists \tau_{\prec}; \forall r \subseteq L, \forall \langle I, D \rangle; \langle I, D \rangle \models_L r \Rightarrow \langle I, D \rangle \models_L \tau_{\prec}(r)$$

This property is satisfied by the `domain2allinv` and `cexcl2not` transformations.

The τ_{\prec} transformation is not easy to produce (and it can generally be computationally expensive) but we show, in §4.1, how this could be practically achieved.

3.4 Model isomorphism

Another possibility is to define \triangleleft as the existence of an isomorphism between the models of r and those of $\tau_{\triangleleft}(r)$:

$$\exists \tau_{\triangleleft}; \forall \langle I', D' \rangle, \exists \langle I, D \rangle; \forall r \subseteq L, \langle I', D' \rangle \models_L r \Rightarrow \langle I, D \rangle \models_L \tau_{\triangleleft}(r)$$

This also ensures that $\forall r \subseteq L, \forall \delta \in L, r \models_L \delta \Rightarrow \tau_{\triangleleft}(r) \models_L \tau_{\triangleleft}(\delta)$.

This property is satisfied by the `oneof2orcexcl` transformation.

This provides to the family of languages L a structure based on semantics. Summarizing, the syntactic and semantic structure of a language family provides different semantic properties characterizing transformations, all of them entailing consequence preservation.

4. PROOFS, ANNOTATIONS AND PROOF-CHECKING

The approach to semantic interoperability defended here is based on transformations and their properties. Hence, in order to ensure formally the properties of transformations, one must exhibit a proof of the property. In fact, the proof and the transformation can be strongly tied together to the extent that they are built together (§4.1). In such a case, the publication of the proof is as important as the publication of the transformation (§4.2). The proof can be checked thus providing confidence with the corresponding transformation (§4.3).

4.1 From proofs to transformations

When providing transformations from a language to another, it is useful to prove the properties that are satisfied by the transformations (e.g. that the transformation terminates or that it preserves interpretations). For instance, the proof that the `domain2allinv` transformation preserves interpretations is as follows (inference rules are in brackets):

$$\begin{aligned}
& (\text{rprim } r \text{ (domain } C)) && \text{[hypothesis]}(0) \\
\Rightarrow & I(r) \subseteq I(\text{domain } C) && \text{[dsd/syn-to-sem]}(1) \\
\Rightarrow & I(r) \subseteq \{\langle x,y \rangle \in D^2; y \in I(C)\} && \text{[dsd/expand-interp]}(2) \\
\Rightarrow & \forall \langle x,y \rangle \in I(r), y \in I(C) && \text{[sets/incl-in]}(3) \\
\Rightarrow & \forall x \in D, \forall y, \langle x,y \rangle \in I(r) \Rightarrow y \in I(C) && \text{[pc/quant-intro]}(4) \\
\Rightarrow & \forall x \in D, \forall y \langle x,y \rangle \in \{\langle w,z \rangle; \langle z,w \rangle \in I(r)\} \Rightarrow y \in I(C) && \text{[set/in-incl]}(5) \\
\Rightarrow & D \subseteq \{x \in D, \forall y; \langle x,y \rangle \in \{\langle w,z \rangle; \langle z,w \rangle \in I(r)\} \Rightarrow y \in I(C)\} && \text{[dsd/retract-interp]}(6) \\
\Rightarrow & D \subseteq \{x \in D; \forall y; \langle x,y \rangle \in I(\text{inv } r) \Rightarrow y \in I(C)\} && \text{[dsd/retract-interp]}(7) \\
\Rightarrow & I(\text{anything}) \subseteq \{x \in D; \forall y; \langle x,y \rangle \in I(\text{inv } r) \Rightarrow y \in I(C)\} && \text{[dsd/retract-interp]}(8) \\
\Rightarrow & I(\text{anything}) \subseteq I(\text{all (inv } r) C) && \text{[dsd/retract-interp]}(9) \\
\Rightarrow & (\text{cprim anything (all (inv } r) C)) && \text{[dsd/sem-to-syn]}(10)
\end{aligned}$$

The proofs, like many language equivalence proofs in description logics, shows that whatever term built from some term constructors (here `DOMAIN`) is expressible with other term constructors (here `ALL`, `INV` and `ANYTHING`) while preserving the interpretation of the terms. One characteristic of such proofs in term-based languages is that it is constructive: it exhibits a transformation from one language to the other. It can thus be translated into a transformation.

Another example is the transformation from `ALUE` to `ALC`, which are based on the argument that any `NOT` constructor can be pushed down the term structure where it can apply to atomic terms:

$$\begin{aligned}
& (\text{not } c) \Leftrightarrow (\text{anot } c) && \text{for } c \text{ atomic} \\
& (\text{not (anot } c)) \Leftrightarrow c \\
& (\text{not (not } c)) \Leftrightarrow c \\
& (\text{not (all } r \text{ } c)) \Leftrightarrow (\text{c some } r \text{ (not } c)) \\
& (\text{not (and } c_1, \dots, c_n)) \Leftrightarrow (\text{or (not } c_1) \dots (\text{not } c_n)) \\
& (\text{not (some } r)) \Leftrightarrow (\text{all } r \text{ Nothing})
\end{aligned}$$

This proof can be turned into a transformation, which applies the rules (from left to right) recursively on the structure of the terms. In DLML, many of the transformations across

languages have been designed together with their proofs. We did this for the above transformations.

4.2 Proof annotations

If the designers build proofs of some properties, it is desirable, especially in a worldwide distributed environment, to publish these proofs. It is thus useful to be able to represent them. So, the equivalence between two logics can be established by proving that a transformation from one logic to another preserves the models (in the sense of model theory). The representation of the proof itself can be provided in MathML [Carlisle 2001] and OMDoc [Kohlhase 2000] a language extending MathML towards the expression of mathematical macrostructure (theories, theorems, axioms, proofs...). In this formalism, the two first steps of the proof above would look like:

```
<omd:proof id='domain2allinvpr' for='domainelim' theory='dlml'>
  <omd:hypothesis id='domain2allinv_0'>
    <omd:CMP></omd:CMP>
  </omd:hypothesis>
  <omd:derive id='domain2allinv_1'>
    <omd:FMP>
      <omd:assumption id='domain2allinv_0'>
        <OMOBJ>
          <dl:rprim>
            <dl:ratom>r</dl:ratom>
            <dl:domain>
              <dl:catom>C</dl:catom>
            </dl:domain>
          </dl:rprim>
        </OMOBJ>
      </omd:assumption>
      <omd:conclusion id='domain2allinv_1cl'>
        <OMOBJ>
          <mml:apply><mml:subset/>
            <dsd:apply-interpretation>
              <dl:ratom>r</dl:ratom>
            </dsd:apply-interpretation>
            <dsd:apply-interpretation>
              <dl:domain><dl:catom>C</dl:catom></dl:domain>
            </dsd:apply-interpretation>
          </mml:apply>
        </OMOBJ>
      </omd:conclusion>
    </omd:FMP>
    <omd:method><omd:ref theory='dsd' name='syn-to-sem' /></omd:method>
    <omd:premise xref='domain2allinv_0' />
  </omd:derive>
  <omd:derive id='domain2allinv_2'>
    <omd:FMP>
      <omd:assumption id='domain2allinv_1cl' />
      <omd:conclusion id='domain2allinv_2cl'>
        <OMOBJ>
          <mml:apply><mml:subset/>
            <dsd:apply-interpretation>
              <dl:ratom>r</dl:ratom>
            </dsd:apply-interpretation>
          </mml:apply>
        </OMOBJ>
      </omd:conclusion>
    </omd:FMP>
  </omd:derive>
</omd:proof>
```

```

        <dsd:apply-interpretation>
          <dl:domain><dl:catom>C</dl:catom></dl:domain>
        </dsd:apply-interpretation>
      </mml:apply>
    </OMOBJ>
  </omd:conclusion>
</omd:FMP>
<omd:method><omd:ref theory='dsd' name='expand-interp' /></omd:method>
<omd:premise xref='domain2allinv_1cl' />
<omd:conclusion>
</omd:derive>
...
<omd:derive id='domain2allinv_10'>
  <omd:FMP>
    <omd:assumption id='domain2allinv_9cl' />
    <omd:conclusion id='domain2allinv_10cl'>
      <OMOBJ>
        <dl:cprim>
          <dl:anything />
          <dl:all>
            <dl:inv><dl:ratom>r</dl:ratom></dl:inv>
            <dl:catom>C</dl:catom>
          </dl:all>
        </dl:cprim>
      </OMOBJ>
    </omd:conclusion>
  </omd:FMP>
  <!-- this is substitution of interpretation by its definition -->
  <omd:method><omd:ref theory='dlml' name='completeness' /></omd:method>
  <omd:premise xref='domain2allinv_9cl' />
</omd:derive>
<omd:conclude id='domain2allinv_10'>
  <omd:FMP>
    <omd:assumption id='domain2allinv_9cl' />
    <omd:conclusion id='domain2allinv_10cl'>
      <OMOBJ>
        <dl:cprim>
          <dl:anything />
          <dl:all>
            <dl:inv><dl:ratom>r</dl:ratom></dl:inv>
            <dl:catom>C</dl:catom>
          </dl:all>
        </dl:cprim>
      </OMOBJ>
    </omd:conclusion>
  </omd:FMP>
  <!-- this is substitution of interpretation by its definition -->
  <omd:method><omd:ref theory='dlml' name='completeness' /></omd:method>
  <omd:premise>*
  <omd:proof>
</omd:conclude>
</omd:proof>

```

The namespace prefix are `omd` for OMDoc, `mml` for MathML, `dsd` for DSD and `dl` for DLML. We took one liberty with OMDoc because instead of OpenMath objects (OMOBJ) we put MathML expressions (because DSD is based on MathML instead of OpenMath). However, this is just a matter of syntax: the relevant part is the ability of OMDoc for representing proofs.

It is also useful to attach the property and the proof to the transformations. One solution consists of adding it to the transformation structure. There are two problems with this solution:

the XSLT language does not enable this, although Transmorpher does, and this would prevent people who are not owner of the transformation to claim properties and publish proofs. Hence the best solution seems to use RDF for annotating the transformation from the outside.

4.3 Towards proof checking

Proof-carrying code [Necula 1998] is an infrastructure in which a program is provided with the proof of the properties that it satisfies. A client program that want to run the former program will check the proof against this program in order to check that it can do it safely. These principles can be applied to the verifications of the transformations and their properties as soon as a representation of the proof is available.

In order to be able to check proofs of semantic properties such as (1) or (2), it is necessary to have (a) the representation of the transformation which is provided by XSLT or by Transmorpher, (b) the semantics of the transformation language, (c) the representation of the semantics of the logics provided by its DSD and (d) the representation of the proof like the one described above. Of these elements, the only missing one is the representation of the semantics of XSLT. There are several attempts, however, to provide a semantics for XSLT fragments that can be used [Wadler 2000, Bex 2000]. Another path, consists of defining a transformation language simpler than XSLT but with a clean semantics. This is partly the case of Transmorpher (see §5).

Checking is the opposite of trusting. Both approaches have different advantages: trusting does not require to spend time checking the arguments while checking does not require to maintain a heavy model of trust and it is independent of who provide the arguments. Proof-carrying code can be applied to untrusted items. So if someone needs particular transformations satisfying particular properties, she can try to find such transformations and proof of properties on the web and check them.

Unlike watermarking, proof-carrying code does not require any encoding of the transformation because it checks the proof against the program. The program can have been modified, if the checker finds that the proof is still valid, then this is all that is required. It is not even required that the proofs are provided with the program. In fact, someone can publish an automatic proof of the termination of the above transformation web site not connected to the DLML one and the proof-check must be able to decide if the proof is valid or not.

But there is more...

5. COMPOSING TRANSFORMATIONS, COMPOSING PROOFS

In a family of languages, composing transformations can be a very convenient way to transform from one language to another. We consider transformation flows resulting from the composition of more elementary transformations. We have developed a system, transmorpher, An infrastructure for formally ensuring interoperability in a heterogeneous semantic web

for dealing with such transformation flows (§5.1). Transmorpher aims at being an environment for defining transformations and assembling them one hand, annotating them by the properties they are found to satisfy or those they must satisfy and proving the properties of compound transformations on the other hand. One way to provide a proof is by composing the properties of the components (§5.2). Once the proofs are produced, both the transformation and the proof can be exported to the web (§5.3).

5.1 Transmorpher

In order to prove or check the properties of transformations, it is necessary to have a representation of these transformations. The XSLT language enables the expression of a transformation in XML but is relatively difficult to analyze. In order to overcome that problem, we have designed and developed in collaboration with the FluxMedia company, the Transmorpher environment [Euzenat 2001b]. It is a layer on top of XSLT allowing expressing complex transformation flows such as the one of Figure 1 (which is that of the example). A transformation flow is the composition of elementary transformation instances whose input/output are connected by channels. A transformation flow is itself a transformation.

One of the goals of Transmorpher is the encapsulation of XSLT used for performing the transformations, such that transformations are easier to analyze through special purpose syntax and hierarchical decomposition. This should facilitate the description of proofs through “Lemma” attached to component transformations.

Transmorpher enables the definition and processing of generic transformations of XML documents. It aims at providing XSLT extensions in order to:

- Describe straightforwardly simple transformations (removing elements, replacing attribute names, merging documents...);
- Composing transformations by connecting their (multiple) input and output;
- Applying transformations until closure;
- Applying regular expression substitution;
- Calling external transformation engines.

Transmorpher describes the transformation flows in XML. Input/output channels carry the information, mainly XML, from one transformation to another. Transformations can be other transformation flows or elementary transformations. Transmorpher provides a set of abstract elementary transformations (including their execution model) and one default instantiation. Such elementary transformations include external call (e.g. XSLT), dispatcher, serialize, query engine, iterator, merger, generator and rule sets. Figure 1 presents the representation of the above transformation flow in Transmorpher graphic format.

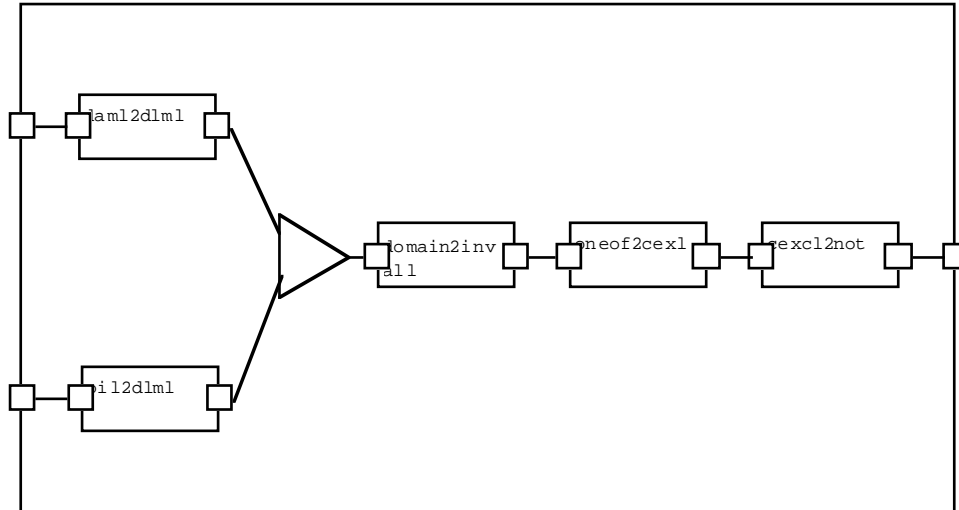


Figure 1 : Transmorpher description of the importation of DAML-ONT and OIL fragments into the DLML representation of SHIQ.

Transmorpher is mainly a set of documented Java classes (which can be refined or integrated into another software) and a transformation flow processing engine. A transformation flow can be described by programming in Java or providing an XML description. Figure 1 is the description of the following transformation flow:

```

<process name="assemble-onto" in="i1 i2" out="o">
  <apply-external type="xslt" name="daml2dlml" file="daml2ldaml.xsl"
    in="i1" out="o1"/>
  <apply-external type="xslt" name="oil2dlml" file="oil2loil.xsl"
    in="i2" out="o2"/>
  <merger type="simple" name="ldaml+ldaml"
    in="o1 o2" out="o3"/>
  <apply-external type="xslt" name="domain2allinv" file="domain2allinv.xsl"
    in="o3" out="o4"/>
  <apply-external type="xslt" name="oneof2cexclor" file="oneof2or.xsl"
    in="o4" out="o5"/>
  <repeat in="o5" channel="o5:o6" out="o6">
    <apply-external type="xslt" name="cexcl2not" file="cexcl2not.xsl"
      in="o5" out="o6"/>
  </repeat>
  <apply-external type="xslt" name="zzz2shiq" file="zzz2shiq.xsl"
    in="o6" out="o"/>
</process>

```

An extension of Transmorpher under consideration consists of attaching assertions to the transformations in a transformation flow in order to tell if a property is assumed, proved or to be checked. This will allow real experimentation of proving properties of compound transformations.

5.2 Proof by composition

A first interest of Transmorpher in proof-checking is that some of the extensions of XSLT can easily be given a semantics : rules used in rulesets have a clear meaning and clear syntax and composition of transformations is also straightforward to define (as function composition).

A second interesting point is the elaboration of the proof of properties for such simplified transformations. In fact, this was the main reason for introducing Transmorpher : we want to list both the transformation constructors (composition, iteration, data separation...) and the properties that can be satisfied by transformations (classifications, privileges, relevance, granularity, traceability...). Moreover, we are able to investigate the influence of some properties with other (e.g., how to conciliate secret with traceability). We can then develop a taxonomy of (machine processable) transformations for which (mainly syntactical) properties can easily be established. We could then generate, through composition, the proof of a transformation flow satisfying a property.

If each of these more elementary transformations is annotated by the assertion of the properties it satisfies, there remain to generate the property concerning the compound transformation. A very simple example is the termination property on finite input that is preserved through composition, but not by iteration until saturation. Model preservation for its part is preserved through both composition and iteration.

This can be exemplified with the properties that have been considered in §3. It is possible to establish the properties of the composition of two transformations given their properties. This yield (the very simple) Table 1.

	<	<	<	≤	∅
<	<	<	<	≤	∅
<	<	<	<	≤	∅
<	<	<	<	≤	∅
≤	≤	≤	≤	≤	∅
∅	∅	∅	∅	∅	∅

Table 1 : Composition table for the semantic relations on transformations (≤ is consequence preservation).

This table enables to assert that the transformation flow above, that assembles all transformations of the example, is indeed consequence preserving.

5.3 Closing the loop : the whole picture

The techniques presented above provide a framework in which transformations from one representation language to another are available from the network and proofs of various properties of these languages are attached to them. It is noteworthy that transformations and

proofs do not have to come from the same origin. They can even be produced by the application.

The transformation system engineer can gather these transformations and their proofs, check the proofs before importing them in its transformation development environment. She will then be able to create a new transformation flow and generate the proofs of the properties that she requires. Finally, she will be able to publish the transformation and its proof on the network.

Given two languages with their semantics, in order to transform representation in one language into representations in the other that satisfy some properties, the following transformation edition process (see Figure 2) can be attempted:

1. Fetching transformations that can help performing part of the task ;
2. Fetching assertions and proofs about these transformation ;
3. Checking the proof or trusting the assertions of properties about the transformations ;
4. Composing transformations into a global transformation that is supposed to do the transformation job ;
5. Proving that this composition preserve the properties that are required by the global transformation ;
6. Publishing transformation, assertions and proofs for others to use it.

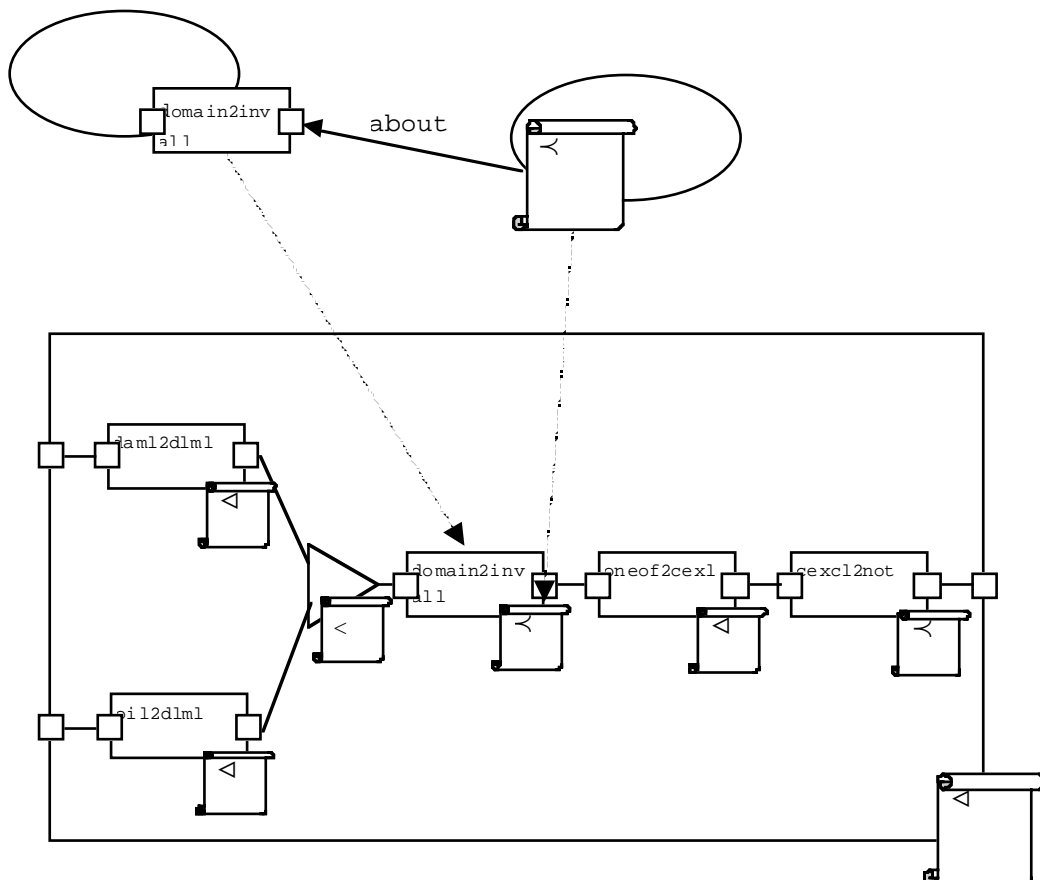


Figure 2 : The complete construction of a transformation and the proof of consequence preservation.

6. CONCLUSION

We have presented a framework for formally ensuring semantic interoperability in the semantic web. Interoperability is assured by transformations that have to satisfy some client-defined properties. The proof of properties are encoded in a machine-readable way so that the client can check them. Transmorpher enables to compose these transformations into a more elaborate one whose proof of properties can be facilitated by simple composition of the properties of its components (either proof-checked or trusted).

If enough actors are interested in sharing transformation safely instead of developing again and again the same transformation, here is an architecture that enables to do it formally and in a modular way. We strongly believe that there will be a strong interest in such a framework in the context of the growing use of XML and XML transformations inside and across companies. In fact, if semantic properties are relatively related to the semantic web, many other properties of general interest can be taken into account by the framework.

We believe that the strength of the framework is not its sophistication, but rather its relative simplicity. No doubt that it will not be practical in difficult cases, but it work for cases like the one presented as an example here.

This framework is very close to that of proof-carrying code [Necula 1998] of which it is an instantiation on particular programs and properties. Moreover it is fully based on widely available XML technologies (XML, XPATH, XSLT, MATHML, OMDOC, RDF) or local extensions (DLML, DSD, Transmorpher). For a description of complementary work on the topic of semantic interoperability (e.g. [Masolo 1999, Chalupsky 2000, Ciocoiu 2000]), see [Euzenat 2001a].

The framework is a prospective vision for which many pieces are already available and several of them linked together. The main part of it, with the notable exception of proof-checking, has already been implemented as a proof of concept. The DLML framework is operational and several experiments have been made with XSLT transformations. Transmorpher is an ongoing work whose basic functions are operational. The OMDoc and DSD languages are available.

We have some examples of proof (mainly of model preservation or model isomorphism) in description logics that should be a very good first testbench of the applications of these concepts. We also have examples of transformations between heterogeneous representations (e.g. description logics and syllogistic).

The proof-checker is the difficult point because, we will need one that can interface easily with the kind of proofs required by the framework. There are two issues to be solved next : generalization and scalability.

Generalization requires a lot of fundamental work about topics such as generalizing from DLML to other representation languages (we have investigated superficially syllogisms and considered DAML-ONT as a description logic language), generalizing semantics properties, generalizing to other (e.g. structural, semiotic) properties, generalizing the kind of proofs required. We are currently committed to investigate the semantic properties more thoroughly.

Robustification and scalability will be required in order to consider the practicability of the whole system. Positive elements are the intrinsic distribution of our framework and the fact that any element can be replaced by another with similar interface.

REFERENCES

- [Berners-Lee 2001] Tim Berners-Lee, James Hendler, Ora Lassila, The semantic web, *Scientific american* 279(5):-, 2001, <http://www.scientificamerican.com/2001/0501issue/0501berners-lee.html>
- [Bechhofer 1999] Sean Bechhofer, Ian Horrocks, Peter Patel-Schneider, Sergio Tessaris, A proposal for a description logic interface, Proc. int. workshop on description logics, Linköping (SE), CEUR-WS-22, 1999 <http://SunSITE.Informatik.RWTH-Aachen.DE/Publications/CEUR-WS/Vol-22/bechhofer.ps>
- [Bex 2000] Geert Jan Bex, Sebastian Maneth, Frank Neveu, A formal model for an expressive fragment of XSLT, *Lecture notes in computer science* 1861:1137-1151, 2000
- [Borgida 1999a] Alexander Borgida, Extensible knowledge representation: the case of description reasoners, *Journal of artificial intelligence research* 10:399-434, 1999
- [Carlisle 2001] David Carlisle, Patrick Ion, Robert Miner, Nico Poppelier (eds.), Mathematical markup language (MATHML) version 2.0, Recommendation, W3C, 2001 <http://www.w3.org/TR/MathML2>
- [Chalupsky 2000] Hans Chalupsky, OntoMorph: a translation system for symbolic knowledge, Proceedings of 7th international conference on knowledge representation and reasoning (KR), Breckenridge, (CO US), pp471-482, 2000
- [Clark 1999a] James Clark (ed.), XSL transformations (XSLT) version 1.0, Recommendation, W3C, 1999 <http://www.w3.org/TR/xslt>
- [Clark 1999b] James Clark, Stephen DeRose (eds.), XML path language (XPath) version 1.0, Recommendation, W3C, 1999. <http://www.w3.org/TR/xpath>
- [Ciocoiu 2000] Mihai Ciocoiu and Dana Nau, Ontology-based semantics, Proceedings of 7th international conference on knowledge representation and reasoning (KR), Breckenridge, (CO US), pp539-546, 2000 <http://www.cs.umd.edu/~nau/papers/KR-2000.pdf>
- [Donini 1994] Francesco Donini, Maurizio Lenzerini, Daniele Nardi, Andrea Schaerf, Deduction in concept languages: from subsumption to instance checking, *Journal of logic and computation* 4(4):423-452, 1994

- [Euzenat 2001a] Jérôme Euzenat, Towards a principled approach to semantic interoperability, Proc. IJCAI workshop on Ontologies and information sharing, Seattle (WA US), 2001 to appear
- [Euzenat 2001b] Jérôme Euzenat, Laurent Tardif, XML transformation flow processing, Proc. 2nd Extreme markup languages, Montréal (CA), 2001, to appear, <http://transmorpher.inrialpes.fr/paper>
- [Euzenat 2001c] Jérôme Euzenat, Heiner Stuckenschmidt, The 'family of languages' approach to semantic interoperability, submitted, 2001
- [Euzenat 2001d] Jérôme Euzenat, Preserving modularity in XML encoding of description logics, submitted, 2001
- [Horrocks 2000] Ian Horrocks, A denotational semantics for Standard OIL and Instance OIL, 2000, <http://www.ontoknowledge.org/oil/downl/semantics.pdf>
- [Kohlhase 2000] Michael Kohlhase, OMDoc: an open markup format for mathematical documents, SEKI report SR-00-02, Universität des Saarlandes, Saarebrücken (DE), 2000 <http://www.mathweb.org/src/mathweb/omdoc/doc/omdoc/omdoc.ps>
- [Masolo 2000] Claudio Masolo, Criteri di confronto e costruzione di teorie assiomatiche per la rappresentazione della conoscenza: ontologie dello spazio e del tempo, Tesi di dottorato, Università di Padova, Padova (IT), 2000
- [Necula 1998] George Necula, Compiling with proofs, PhD thesis, Carnegie Mellon university, Pittsburgh (PA US), 1998
- [Visser 2000a] Ubbo Visser, Heiner Stuckenschmidt, G. Schuster, Thomas Vögele, Ontologies for Geographic Information Processing, Computers in Geosciences, 2001, to appear <http://www.tzi.de/buster/papers/Ontologies.pdf>
- [Wadler 2000] Philip Wadler, A formal semantics of patterns in XSLT, *Markup technologies*, 1999 <http://www.cs.bell-labs.com/who/wadler/papers/xsl-semantics/xsl-semantics.pdf>
- [Wiederhold 1999] Gio Wiederhold, Jan Janninck, Composing diverse ontologies, Proc. 8th IFIP working group on databases working conference on database semantics, Rotorua (NZ), 1999 <http://www-db.stanford.edu/SKC/publications/ifip99.html>