



**HAL**  
open science

## Controller for Urban Intersections Based on Wireless Communications and Fuzzy Logic

Vicente Milanés, Joshué Pérez Rastelli, Enrique Onieva, Carlos González

► **To cite this version:**

Vicente Milanés, Joshué Pérez Rastelli, Enrique Onieva, Carlos González. Controller for Urban Intersections Based on Wireless Communications and Fuzzy Logic. IEEE Transactions on Intelligent Transportation Systems, 2010. hal-00737548

**HAL Id: hal-00737548**

**<https://inria.hal.science/hal-00737548>**

Submitted on 2 Oct 2012

**HAL** is a multi-disciplinary open access archive for the deposit and dissemination of scientific research documents, whether they are published or not. The documents may come from teaching and research institutions in France or abroad, or from public or private research centers.

L'archive ouverte pluridisciplinaire **HAL**, est destinée au dépôt et à la diffusion de documents scientifiques de niveau recherche, publiés ou non, émanant des établissements d'enseignement et de recherche français ou étrangers, des laboratoires publics ou privés.

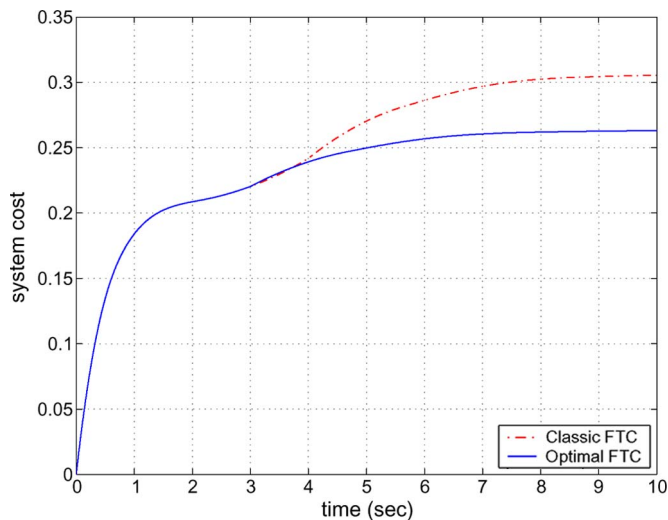


Fig. 7. Cost comparison.

illustrates the vehicle motion behavior. After  $t = 2$  s, the trajectory of the vehicle deviates from the reference path, while the tracking goal is achieved at nearly  $t = 8$  s, and  $v$  is always maintained at 5 m/s.

Fig. 5 illustrates the trajectories of the controller that combines the classic LQ method and the CLF technique. The classic LQ controller exceeds the constraints at  $t = 5.9$  s and is not applied until  $t = 6.8$  s. It can be seen that much more control effort has to be made than the hybrid control one. Fig. 6 illustrates the vehicle motion behavior. The vehicle again tracks the path at nearly  $t = 10$  s.

Fig. 7 gives the evolution of the system cost with the classic and PA methods, which implies the good system performance under the proposed hybrid approach.

## V. CONCLUSION

This paper has proposed an optimal hybrid FTC approach with application to the path-tracking control problem for the 4WS4WD RobuCar vehicle at LAGIS. Several important types of actuator faults have been addressed. Future work will concern robust fault-tolerant path-tracking control design of 4WS4WD vehicles.

## REFERENCES

- [1] C. C. Chan, "The state of the art of electric, hybrid, and fuel cell vehicles," *Proc. IEEE*, vol. 95, no. 4, pp. 704–718, Apr. 2007.
- [2] X. He and J. W. Hodgson, "Modeling and simulation for hybrid electric vehicles. I. Modeling," *IEEE Trans. Intell. Transp. Syst.*, vol. 3, no. 4, pp. 235–243, Dec. 2002.
- [3] S. Sakai, H. Sado, and Y. Hori, "Motion control in an electric vehicle with four independently driven in-wheel motors," *IEEE/ASME Trans. Mechatron.*, vol. 4, no. 1, pp. 9–16, Mar. 1999.
- [4] S. T. Peng, "On one approach to constraining the combined wheel slip in the autonomous control of a 4WS4WD vehicle," *IEEE Trans. Control Syst. Technol.*, vol. 15, no. 1, pp. 168–175, Jan. 2007.
- [5] K. Moriawaki, "Autonomous steering control for electric vehicles using nonlinear state feedback  $H_\infty$  control," *Nonlinear Anal.*, vol. 63, no. 5–7, pp. e2257–e2268, Nov./Dec. 2005.
- [6] I. Unger and R. Isermann, "Fault tolerant sensors for vehicle dynamics control," in *Proc. Amer. Control Conf.*, Minneapolis, MN, 2006, pp. 3948–3953.
- [7] S. C. Subramanian, S. Darbha, and K. R. Rajagopal, "A diagnostic system for air brakes in commercial vehicles," *IEEE Trans. Intell. Transp. Syst.*, vol. 7, no. 3, pp. 360–376, Sep. 2006.
- [8] Z. Gao, S. X. Ding, and Y. Ma, "Robust fault estimation for vehicle lateral dynamic systems," in *Proc. IFAC SAFEPROCESS*, Beijing, China, 2006, pp. 1039–1043.

- [9] R. Rajamani, A. S. Howell, C. Chieh, J. K. Hedrick, and M. Tomizuka, "A complete fault diagnostic system for automated vehicles operating in a platoon," *IEEE Trans. Control Syst. Technol.*, vol. 9, no. 4, pp. 553–564, Jul. 2001.
- [10] P. E. Dumont, A. Aitouche, and M. Bayart, "Fault detection of actuator faults for electric vehicle," in *Proc. 16th IEEE Int. Conf. Control Appl.*, Mumbai, India, 2007, pp. 1067–1072.
- [11] M. Blanke and J. S. Thomsen, "Electrical steering of vehicles—Fault tolerant analysis and design," *Microelectron. Reliab.*, vol. 46, no. 9–11, pp. 1421–1432, Sep.–Nov. 2006.
- [12] P. E. Dumont, A. Aitouche, R. Merzouki, and M. Bayart, "Fault tolerant control on an electric vehicle," in *Proc. Int. Conf. Ind. Technol.*, Singapore, 2006, pp. 2450–2455.
- [13] [Online]. Available: <http://www.robosoft.fr/eng/>
- [14] M. Staroswiecki, H. Yang, and B. Jiang, "Progressive accommodation of parametric faults in linear quadratic control," *Automatica*, vol. 43, no. 12, pp. 2070–2076, Dec. 2007.
- [15] M. Staroswiecki, "Robust fault tolerant linear quadratic control based on admissible model matching," in *Proc. 45th IEEE Conf. Decision Control*, 2006, pp. 3506–3511.
- [16] H. Yang, B. Jiang, and V. Cocquempot, "Observer-based fault tolerant control for constraint switched systems," *Int. J. Control Autom. Syst.*, vol. 5, no. 6, pp. 707–711, 2007.
- [17] J. Ackermann, *Robust Control*. London, U.K.: Springer-Verlag, 1993.
- [18] R. Goebel and M. Subbotin, "Continuous time linear quadratic regulator with control constraints via convex duality," *IEEE Trans. Autom. Control*, vol. 52, no. 5, pp. 886–892, May 2007.

## Controller for Urban Intersections Based on Wireless Communications and Fuzzy Logic

Vicente Milanés, Joshué Pérez, Enrique Onieva, and Carlos González, *Member, IEEE*

**Abstract**—A major research topic in intelligent transportation systems (ITSs) is the development of systems that will be capable of controlling the flow of vehicular traffic through crossroads, particularly in urban environments. This could significantly reduce traffic jams, since autonomous vehicles would be capable of calculating the optimal speed to maximize the number of cars driving through the intersection. We describe the use of vehicle-to-vehicle (V2V) communications to determine the position and speed of the vehicles in an environment around a crossroad. These data are used to estimate the intersection point, and a fuzzy controller then modifies the speed of the cars without right of way according to the speed of the car with right of way. Experimental tests conducted with two mass-produced cars on a real circuit at the facilities of the Instituto de Automática Industrial, Consejo Superior de Investigaciones Científicas, Madrid, Spain, gave excellent results.

**Index Terms**—Accident detection, autonomous vehicles, fuzzy control, intervehicle communication, traffic management.

Manuscript received March 26, 2009; revised July 6, 2009. First published December 1, 2009; current version published March 3, 2010. This work was supported in part by Plan Nacional, Spain, under Project TRANSITO under TRA2008-06602-C03-01, by the Comisión Interministerial de Ciencia y Tecnología, Spain, under Project GUIADE (Spain Ministerio de Fomento T9/08), and by the National Strategic Consortia for Technical Research (CENIT) under Project MARTA (CENIT-20072006). The Associate Editor for this paper was Prof. U. Nunes.

The authors are with the Industrial Computer Science Department, Instituto de Automática Industrial, Consejo Superior de Investigaciones Científicas, 28500 Madrid, Spain (e-mail: vmilanés@iai.csic.es; jperez@iai.csic.es; onieva@iai.csic.es; gonzalez@iai.csic.es).

Color versions of one or more of the figures in this paper are available online at <http://ieeexplore.ieee.org>.

Digital Object Identifier 10.1109/TITS.2009.2036595

## I. INTRODUCTION

Crossroads are one of the major problems in controlling the flow of vehicular traffic in urban environments. Approximately 50% of all traffic collisions occur at crossroads, and over 60% are in urban areas [1]. There are two principal issues affecting the safety of traffic at crossroads. One is poor visibility of the minor approaches to a crossroad so that drivers may fail to yield when they should. The other is inadequate traffic signaling in areas with a continuing series of crossroads. These two problems may be a cause of vehicle collisions related to the “dilemma zone,” i.e., the space from the crossroad to the point on the road where it is difficult for the driver to discern whether he should accelerate, thus passing the crossroad before the other vehicle, or decelerate to play it safe.

Intelligent transportation systems focus on improving road safety either by improvements to the infrastructure or by acting on the vehicles themselves [2]. The last decade has seen significant progress in the automation of vehicles in this field of research. One of the pioneers in implementing a real car capable of driving for hours at a time was the University of Parma’s ARGO vehicle [3], in which a human driver performed the longitudinal control, and the lateral control was carried out by an autonomous system.

A reference for today’s autonomous vehicle development programs has been the U.S. Defense Advanced Research Projects Agency (DARPA) Urban Challenge held in California in 2007. In this event (a continuation of the DARPA Grand Challenges held in 2004 and 2005), vehicles capable of driving in traffic, performing complex maneuvers such as merging, passing, or parking, competed in an autonomous vehicle race. The Carnegie Mellon University Tartan Racing Team’s Boss [4] crossed the finish line first with a runtime of just over 4 h of driving, autonomously covering 85 km.

Cooperative maneuvers among autonomous vehicles have been carried out based on different sensors. An example is the extension of cruise control (CC) known as adaptive CC (ACC). ACC has been implemented by Naranjo *et al.* [5] using a real-time kinematic differential global positioning system (RTK-DGPS) with a wireless network, Abou-Jaoude [6] using radar technology, and Gehrig and Stein [7] using a computer vision system. A further extension known as cooperative ACC has been the subject of different simulations [8], [9].

Several research works in this field have tackled another cooperative maneuver based on lane changing—the overtaking maneuver. Ngai and Yung [10] propose a reinforcement learning multiple-goal framework to solve the problem of automated vehicle overtaking. Zhu *et al.* [11] propose a robust solution with an integrated onboard monocular vision system for obstacle detection applied to overtaking. Naranjo *et al.* [12] use fuzzy controllers to carry out the overtaking maneuver in autonomous vehicles equipped with path-tracking and lane-change capabilities.

One of the most complex cooperative maneuvers is the management of different vehicles approaching a crossroad. The problem of accident prevention in this situation has been attacked from different points of view. One consists of vision-based systems for monitoring traffic in real time to predict possible collisions through an innovative low-overhead collision-prediction algorithm [13]. Also dealing with vision, Kamijo *et al.* [14] developed an algorithm, which is described as a spatiotemporal Markov random field, to model a tracking problem by examining all the pixels in an image and how they change in both space and time. With regard to vehicle-to-vehicle (V2V) communications, Korkmaz *et al.* [15] proposed two modifications of the IEEE 802.11 protocol for their management that differ in how they deal with the crossroad situation and tested them in simulations. Other research works have studied the behavior of vehicles approaching crossroads using neural networks [16], techniques to improve the vehicular traffic at crossroads through maximal weight matching algorithms



Fig. 1. Clavileño and Platero at the IAI facilities.

[17], the characterization of driver behavior at crossroads [18], and simulations of intervehicle communications applied to blind crossroads [19].

In this paper, we present an automatic fuzzy controller to manage the vehicles traversing a crossroad, allowing a vehicle to either yield to an incoming vehicle that has right of way or cross if the incoming vehicle’s speed permits it. Two mass-produced cars are used to demonstrate the operation of the system. A wireless network is used to communicate the information needed to evaluate the fuzzy decisions.

This paper is structured as follows. In Section II, a description is given of the automated vehicles and the sensors and communication systems used. Section III presents the decision architecture developed to activate the fuzzy controller, and the decision algorithms are described in Section IV. The experiments with the real cars are presented in Section V, and Section VI gives some concluding remarks.

## II. INFRASTRUCTURE AND EQUIPMENT

This section describes the onboard systems used to perform the experiment and the communication system developed for the data exchange.

### A. Vehicles

The cars used were a fully automated Citroen C3 Pluriel and a commercial Citroen C3 (see Fig. 1). The former, which is named Clavileño, has been modified to autonomously drive. The main sensorial inputs are an RTK-DGPS and an inertial measurement unit. A sensorial fusion system was developed to perform the guidance of the vehicle [20]. To this end, a target route is defined, and digital cartography is used to follow the reference. The actuators modified for autonomous driving are a pulsewidth modulator for the steering wheel, an analog output card to control the throttle, and an added electrohydraulic pump to act on the brake. These systems are handled by an onboard industrial PC.

The other car, which is named Platero, is a mass-produced vehicle with unmodified actuators. It is equipped with a low-cost differential global positioning system (DGPS) with which the errors in the positioning of the car can be up to 50 cm. This error applies to measurements that may drift over time. The relative distance error between two consecutive measurements is similar to that of the RTK-DGPS. A laptop in the car is used to manage the position data

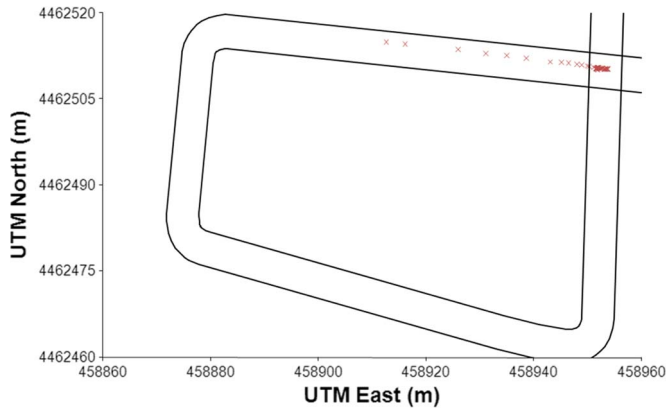


Fig. 2. Behavior of the intersection-detection system.

obtained from the DGPS. Loss of the DGPS signal is treated as a communication failure. In this case, no signal is transmitted, and the autonomous system is deactivated.

### B. Communications

The system outlined in Section II-A allows each vehicle to know its position in real time. Communications are therefore needed for the cars to be able to exchange this information with each other. To this end, we implemented a peer-to-peer Wi-Fi network. An access point, which is located at one of the corners of the circuit, supplies coverage to all the vehicles that are driving along the circuit. The distance from the access point to the farthest point of the circuit is about 250 m, and the coverage of the communication system is up to 300 m.

A Personal Computer Memory Card International Association Proxim Wireless ComboCard is installed in the PC of each car. In the experiments described here, only two vehicles were used. A check was made to see if the system is capable of managing more cars, a test was performed using the vehicles described, and two extra computer-generated GPS signals were used to simulate a situation involving four concurrent vehicles.

## III. INTERSECTION-DETECTION SYSTEM

In this paper, we present a system that is capable of performing intelligent crossroad traversals. The development of this system naturally divided itself into two parts. The first, which is explained in this section, was a system capable of detecting the position and intention of the other cars in its vicinity. The second, which will be described in Section IV, was a controller to act on the throttle and brake pedals.

The detection system was designed on the basis of a local topological analysis. It stores the last positions of each car that is detected in its local area. From these data, it is thus possible to determine each car's direction vector. The autonomously driven vehicle continuously checks a circular area of up to 80-m radius. When another vehicle is detected within this area, its direction vector is monitored to analyze its trajectory.

Article 57 of chapter 3 of the Spanish Road Circulation Code reads as follows: "In the absence of signals that regulate the priority, drivers are obliged to yield to vehicles approaching on their right." With this premise, only vehicles coming from the right need to be taken into account to perform automatic traffic flow at crossroads. Therefore, two checks must be made: whether a vehicle is driving along the perpendicular road and whether it is entering the crossroad.

To this end, three unit vectors are defined: the autonomous vehicle's direction vector, the incoming manually driven vehicle's direction vector, and the common vector defined as the unit vector from the

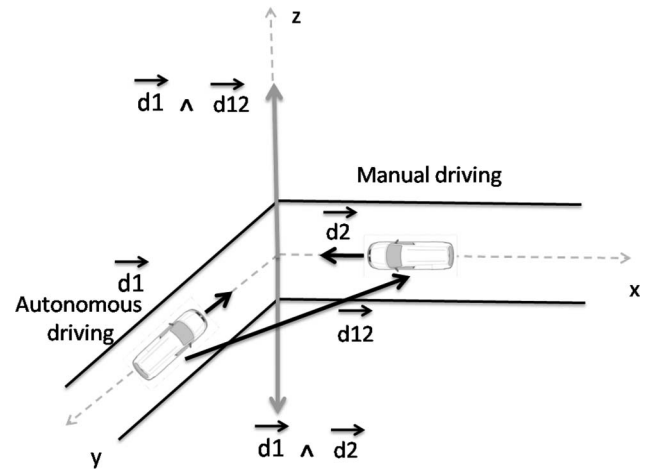


Fig. 3. Vector representation in the left-hand coordinate system.

position of the autonomous vehicle to the position of the manual one (see Fig. 2). Once the other vehicle has been detected, it can be in one of eight different positions: On the same road, it can be in either the same or the contrary lane and, in each case, either ahead of or behind the autonomous vehicle, or on the perpendicular intersecting road, it can be traveling to either the right or the left and, in each case, either approaching or leaving the crossroad area. Taking all this into account, three conditions have to be met to activate the crossroad controller geometrically illustrated in Fig. 3.

- 1) The absolute value of the dot product between the autonomous vehicle's unit direction vector ( $\vec{d1}$ ) and the manual vehicle's unit direction vector ( $\vec{d2}$ ) must be less than 0.707, i.e., the manual vehicle is traveling along the perpendicular road.
- 2) The cross product of the autonomous unit direction vector ( $\vec{d1}$ ) with the common unit direction vector ( $\vec{d12}$ ) must be positive, i.e., the manual vehicle is in the right-hand segment of the perpendicular road.
- 3) The cross product of the autonomous unit direction vector ( $\vec{d1}$ ) with the manual unit direction vector ( $\vec{d2}$ ) must be negative, i.e., the manual vehicle in the right-hand segment of the perpendicular road is approaching the crossroad.

In Fig. 2, an example is shown of the behavior of the crossroad detection system at the private driving circuit of the Instituto de Automática Industrial (IAI), Consejo Superior de Investigaciones Científicas, Madrid, Spain. For this test, the idea was to check the evolution of the point of intersection. The vehicles simultaneously start moving from the position in the picture. The points were calculated at the GPS rate of 5 Hz. To this end, the limitation of 80 m to detect if a car was disabled, and as soon as the three conditions aforementioned were matched, the system began to calculate the point of intersection. The first points, which are far from the point of intersection, correspond to the moment when the manually driven vehicle is coming out of the bend, and the automatic vehicle is already heading straight for the intersection point. The crossroad system is activated, but the manual car is not yet completely heading straight for the crossroad. Once both cars are in the straight parts of their trajectories, the point of intersection converges to the center of the crossroad. Given the error associated with the DGPS installed in the manually driven vehicle, the errors in the determination of the point of intersection are insignificant.

The different tests performed to check the behavior of the detection system gave good results. The digital cartography is thus only needed for the guidance of the autonomous vehicle. The designed detection system is independent of the shape of the roads. When a vehicle is detected, the point of intersection is calculated in real time, and then,

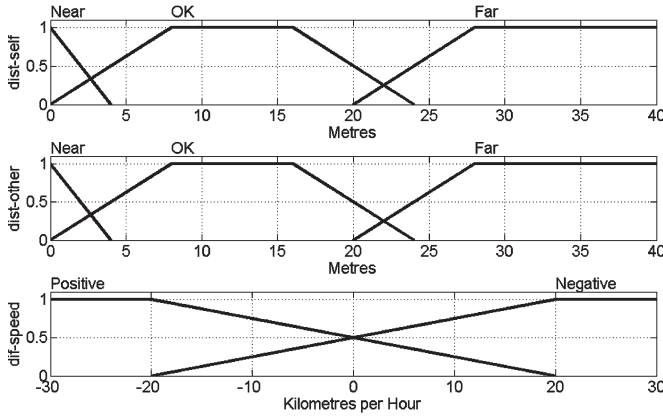


Fig. 4. Definitions of the membership functions for the input fuzzy variables.

the determination of the distances of the cars to the point of intersection is immediate.

#### IV. FUZZY CONTROLLER

Fuzzy logic is a powerful technique for controlling processes that are difficult to model and linearize. The AUTOPIA program at the IAI, of which this work forms a part, has much experience in the use of fuzzy logic. This technique has been used for the control of systems as diverse as helicopters [21] and the air temperature and humidity of greenhouses [22]. For this reason, it was regarded as a good potential solution to the problem of controlling unmanned vehicles.

In an earlier work [23], we had developed an experimental fuzzy coprocessor (ORBEX), which is an inference motor with a straightforward natural-language-based input language. ORBEX functions with Mamdani’s inference method, with singleton-type membership functions to codify the output variables, and allows control decisions to be very rapidly and very precisely made—essential qualities for real-time systems. Its application to the present control problem is described in this section.

The fuzzy controller developed will be responsible for managing the throttle and brake pedals (i.e., the longitudinal control) in making decisions about reducing, maintaining, or increasing the autonomous vehicle’s speed when the two cars are approaching the crossroad. This controller consists of a rule base containing expert knowledge and a set of variables representing the linguistic values considered. Functionally, the fuzzy reasoning is done in three stages—fuzzification, inference, and defuzzification.

- 1) Fuzzification: In this step, the actual “crisp” numerical values of the input variables are transformed into “linguistic” values that can be processed by the fuzzy compiler. This transformation assigns a degree of truth to each of the input fuzzy values. In our case, we define three input variables named *dist-self*, *dist-other*, and *dif-speed*, representing the distance in meters of the cars from the intersection point (*dist-self* for the automated car and *dist-other* for the manually driven one) and the speed difference between the cars in kilometers per hour. The definitions of these variables are shown in Fig. 4.
- 2) Inference engine: The inference engine propagates the matching of the conditions to the conclusions, generating the contribution of each rule to the final output, which, in this case, is the control action. We use Mamdani’s inference method [24] (min-min-max) to solve the implication. Application of the inference engine yields the values of the output fuzzy variables.
- 3) Defuzzification: This last step consists of transforming these output fuzzy values into crisp values that can be used to output

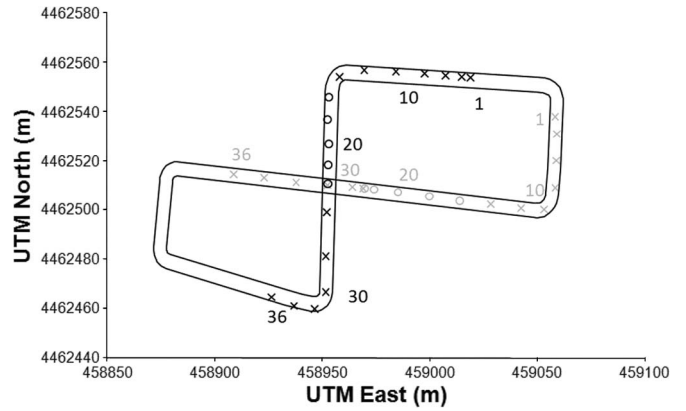


Fig. 5. Position of each car during the first experiment.

TABLE I  
RULE BASE

<i>dif-speed=positive</i>		<i>dist-other</i>		
<i>dist-self</i>		Near	OK	Far
Near		T=t00 B=b04	T=t00 B=b03	T=t02 B=b00
OK		T=t00 B=b02	T=t03 B=b00	T=t02 B=b00
Far		T=t01 B=b00	T=t03 B=b00	T=t02 B=b00
<i>dif-speed=negative</i>		<i>dist-other</i>		
<i>dist-self</i>		Near	OK	Far
Near		T=t00 B=b02	T=t00 B=b01	T=t03 B=b00
OK		T=t00 B=b01	T=t00 B=b01	T=t03 B=b00
Far		T=t02 B=b00	T=t01 B=b00	T=t04 B=b00

control intentions. In this case, we use the center-of-area (CoA) method

$$y_{CoA} = \frac{\int B y dy}{\int B dy}, \quad B = \cup \omega_i B_i \quad (1)$$

where  $\omega_i$  represents the membership degree resulting from the inference of the  $i$ th rule, and  $B_i$  is the membership function for the different values of the output variables of the  $i$ th rule.

We defined fuzzy output variable membership function shapes using Sugeno’s singletons [25], which are based on monotonic functions. In this case, the following modified CoA equation is applied:

$$y'_{CoA} = \frac{\sum \omega_i B_i}{\sum \omega_i} \quad (2)$$

Therefore, for the speed control, we generate two output values, i.e., throttle and brake  $\in [0, 1]$ , which represent the normalized pressure to apply to the two corresponding pedals and are shown in Fig. 5. Our results with empirical studies suggested that values over 0.5 produce accelerations of the car that are so sharp as to even be dangerous for the vehicle’s occupants. Thus, the singletons used for these two variables were restricted to t00, t01, t02, t03, t04, and t05 for the throttle and b00, b01, b02, b03, b04, and b05 for the brake, representing normalized pressures on the pedal of 0 (no pressure), 0.1, 0.2, 0.3, 0.4, and 0.5, respectively. The implementation of the rule base is given in Table I, where T and B indicate the throttle and brake output values, respectively.

In sum, the overall proposed algorithm consists of the following steps.

- 1) Is there a car nearby ( $< 80$  m)? If so, proceed.
- 2) Does the vehicle satisfy the three intersection conditions? If so, proceed.

- 3) Extrapolate a cross point from the trajectories of both cars.
- 4) Apply the fuzzy rules in Table I to obtain the throttle and brake actuation reference.
- 5) Execute the actions.

V. EXPERIMENTAL RESULTS

Two experiments were performed at the IAI facilities' private driving circuit, using the crossroad shown in Fig. 2, to check the behavior of the fuzzy controller that had been developed. The first consisted of testing whether the autonomous vehicle was capable of reducing speed to let the vehicle approaching the crossroad from the right pass without problem. The second was to check whether the autonomous vehicle was capable of increasing speed to traverse the crossroad before the other vehicle reached it.

Since safety is the overriding parameter in traversing a crossroad, one cannot approximate the vehicles by points, and a safety distance must be added. Two considerations must be taken into account in calculating the distance of each car from the intersection point. First, the crossroad is approximately a square of  $8 \times 8$  m, with the intersection point located in its center. Second, as can be seen in Fig. 1, the GPS antenna is located on the rear ends of the cars, and the length of the vehicles is around 4 m. Consequently, 8 m are added to the distance of each car to the intersection point.

Henceforth, gray symbols will be used to correspond to the autonomous vehicle, and solid black symbols will be used to correspond to the manually driven one. The crosses correspond to times when the intersection conditions were not fulfilled. The open discs correspond to times after the crossroad situation had been detected. Continuous-line segments indicate the periods when the intersection detection system was not activated, and dashed-line segments indicate the periods when it was activated.

Fig. 5 shows the behavior of the autonomous vehicle when another car is detected and is approaching the crossroad. In this first experiment, as the two vehicles approach the crossroad, when the autonomous vehicle detects the other, it reduces speed until the manual one has traversed the crossroad. Each mark corresponds to a GPS position plotted every 2 s.

At the beginning, each car advances in different directions, and the intersection detection system remains inactivated. Around 15 s, the autonomous vehicle detects the presence of another vehicle approaching the crossroad, and the fuzzy controller is activated. One observes that, after 20 s, the next three positions are very close together, reflecting the reduction in speed. This way, it permits the manually driven vehicle to traverse the crossroad with no problem. The autonomous vehicle then recovers its reference speed in normal driving and continues on its path.

Each car's speed during this experiment is shown in the upper part of Fig. 6. The lower part shows the normalized output of the fuzzy controller, with the gray line corresponding to the throttle and the black line to the brake. The autonomous vehicle's speed increases up to the reference speed set of 20 km/h at 10 s and then to 27 km/h from 10 s until the end of the experiment. The fuzzy controller is activated at around 15 s. At first, the autonomous vehicle maintains its speed until it detects the proximity of the manual vehicle to the crossroad at around 20 s. Then, a force is exerted on the brake to permit the manual vehicle to traverse the crossroad. The output of the fuzzy controller acting on the brake is shown in the lower part of Fig. 6. Once the manual vehicle has traversed the crossroad, the autonomous vehicle sets about recovering its target speed and continuing on its route.

The second experiment was a continuation of the first. The two vehicles went around the circuit and came back to the same crossroad with the manual vehicle again having priority (see Fig. 7). In this

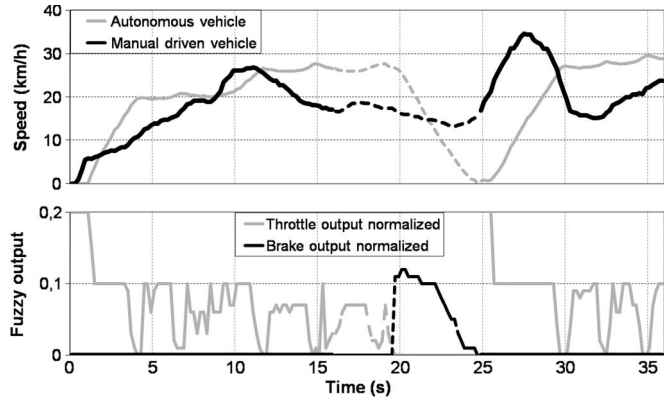


Fig. 6. Speeds and fuzzy output during the first experiment.

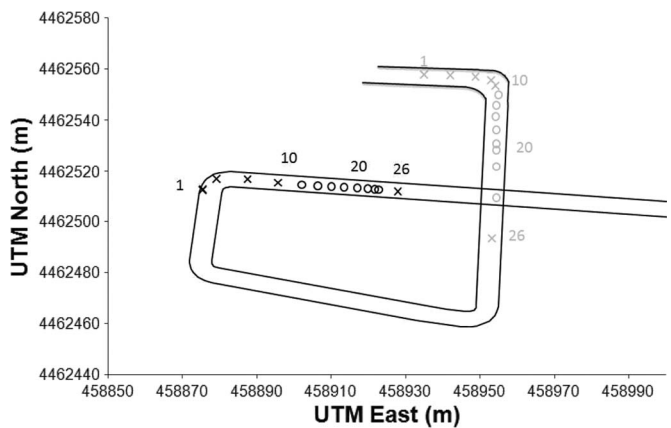


Fig. 7. Position of each car during the second experiment.

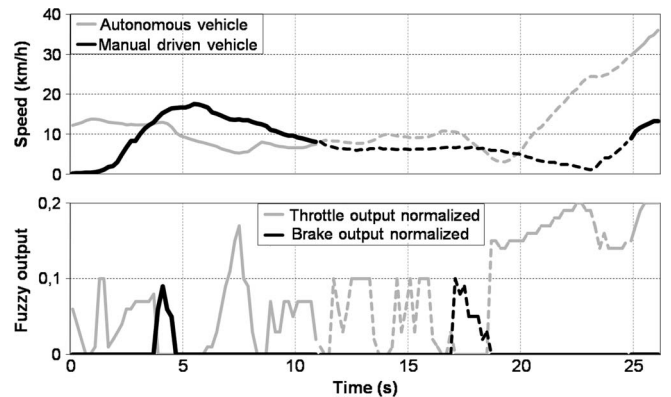


Fig. 8. Speeds and fuzzy output during the second experiment.

case, we tested the option when the manual car is moving slowly and the automated one decides to traverse the crossroad to improve traffic flow.

The fuzzy controller to handle the crossroad situation is activated after 10 s. The decision of the autonomous vehicle is to try to maintain a speed similar to that of the manual one. At around 18 s, the manual vehicle slows down, followed by the controller's decision to increase speed and traverse the crossroad before the manual vehicle.

Fig. 8 shows the speeds of each car and the outputs of the fuzzy controller in the upper and lower parts of the figure, respectively. The target speed of the autonomous vehicle was set at 12 km/h during the first 5 s and 9 km/h after that time until the fuzzy controller

was activated. The two vehicles then maintain similar speeds, until, at around 18 s, the speed of the manual vehicle slightly decreases, and the controller of the autonomous car decides to traverse the crossroad. The vehicle is significantly accelerated to ensure the traversal of the crossroad before the manual car reaches it.

## VI. CONCLUSION AND FUTURE PERSPECTIVES

We have presented the implementation of the idea of an intelligent crossroad-traversing system aimed at improving traffic flow. The purpose of this paper has been twofold: 1) to develop and test a system to detect the presence of another vehicle approaching the crossroad and 2) to work toward implementing a real system capable of making the best decision in driving a vehicle through an intersection point as a function of the traffic conditions and based on fuzzy logic. Thus, our system is capable of not only stopping the vehicle should another vehicle be entering the same intersection point but also crossing the intersection if the speed of the other vehicle is too slow, even if it is approaching with right of way.

A low-cost system using a DGPS and Wi-Fi communications was installed in a commercial car to permit information exchange by V2V communication. The fuzzy-logic-decision algorithm based on unit direction vectors gave excellent results in estimating the point of intersection without needing cartographical knowledge of the area.

In summary, we have designed a fuzzy controller aimed at managing traffic flow at crossroads in real time in response to the actions that other cars are taking. Experiments to check the behavior of the system with two vehicles, i.e., one manually driven and the other fully automated with the designed system installed, gave excellent results.

The next steps in our research program will focus on the inclusion of more vehicles at the crossroad, including more autonomous vehicles to test the response of the controller. In particular, to permit turns at the crossroad, the intention of each car approaching the crossroad to turn left, turn right, or go straight through is to be included in the V2V communication information package.

## REFERENCES

- [1] Highway safety solutions for saving lives, U.S. Dept. of Transp., vol. 1, no. 2, Mar.–May 2007.
- [2] Intelligent Transportation Systems. Benefits, Costs, Deployment and Lesson Learned: 2008 Update, Res. Innovative Technol. Admin., U.S. Dept. Transp., Washington, DC, Sep. 2008.
- [3] A. Broggi, M. Bertozzi, A. Fascioli, C. G. Lo Bianco, and A. Piazzi, “The ARGO autonomous vehicle’s vision and control systems,” *Int. J. Intell. Control Syst.*, vol. 3, no. 4, pp. 409–441, 1999.
- [4] C. Urmson, J. Anhalt, H. Bae, J. A. Bagnell, C. Baker, R. E. Bittner, T. Brown, M. N. Clark, M. Darms, D. Demitrish, J. Dolan, D. Duggins, D. Ferguson, T. Galatali, C. M. Geyer, M. Gittleman, S. Harbaugh, M. Hebert, T. Howard, S. Kolski, M. Likhachev, B. Litkouhi, A. Kelly, M. McNaughton, N. Miller, J. Nickolaou, K. Peterson, B. Pilnick, R. Rajkumar, P. Rybski, V. Sadekar, B. Salesky, Y. Seo, S. Singh, J. M. Snider, J. C. Struble, A. Stentz, M. Taylor, W. Whittaker, Z. Wolkowicki, W. Zhang, and J. Ziglar, “Autonomous driving in urban environments: Boss and the urban challenge,” *J. Field Robot.—Special Issue 2007 DARPA Urban Challenge*, vol. 25, pt. I, no. 8, pp. 425–466, Jun. 2008.
- [5] J. E. Naranjo, C. González, R. García, and T. de Pedro, “ACC + Stop&go maneuvers with throttle and brake fuzzy control,” *IEEE Trans. Intell. Transp. Syst.*, vol. 7, no. 2, pp. 213–225, Jun. 2006.
- [6] R. Abou-Jaoude, “ACC radar sensor technology, test requirements, and test solutions,” *IEEE Trans. Intell. Transp. Syst.*, vol. 4, no. 3, pp. 115–122, Sep. 2003.
- [7] S. K. Gehrig and F. J. Stein, “Collision avoidance for vehicle-following systems,” *IEEE Trans. Intell. Transp. Syst.*, vol. 8, no. 2, pp. 233–244, Jun. 2007.
- [8] B. van Arem, C. J. G. van Driel, and R. Visser, “The impact of cooperative adaptive cruise control on traffic-flow characteristics,” *IEEE Trans. Intell. Transp. Syst.*, vol. 7, no. 4, pp. 429–436, Dec. 2006.
- [9] D. de Bruin, J. Kroon, R. van Klaveren, and M. Nelisse, “Design and test of a cooperative adaptive cruise control system,” in *Proc. IEEE Intell. Vehicle Symp.*, Jun. 2004, pp. 392–396.
- [10] D. C. K. Ngai and N. H. C. Yung, “Automated vehicle overtaking based on a multiple-goal reinforcement learning framework,” in *Proc. IEEE Intell. Transp. Syst. Conf.*, Oct. 2007, pp. 818–823.
- [11] Y. Zhu, D. Comaniciu, M. Pellkofer, and T. Koehler, “Reliable detection of overtaking vehicles using robust information fusion,” *IEEE Trans. Intell. Transp. Syst.*, vol. 7, no. 4, pp. 401–414, Dec. 2006.
- [12] J. E. Naranjo, C. González, R. García, and T. de Pedro, “Lane-change fuzzy control in autonomous vehicles for the overtaking maneuver,” *IEEE Trans. Intell. Transp. Syst.*, vol. 9, no. 3, pp. 438–450, Sep. 2008.
- [13] S. Atef, H. Arumugam, O. Masoud, R. Janardan, and N. P. Papanikolopoulos, “A vision-based approach to collision prediction at traffic intersections,” *IEEE Trans. Intell. Transp. Syst.*, vol. 6, no. 4, pp. 416–423, Dec. 2005.
- [14] S. Kamijo, Y. Matsuhita, K. Ikeuchi, and M. Sakauchi, “Traffic monitoring and accident detection at intersections,” *IEEE Trans. Intell. Transp. Syst.*, vol. 1, no. 2, pp. 108–118, Jun. 2000.
- [15] G. Korkmaz, E. Ekici, and F. Özgüner, “Black-burst-based multihop broadcast protocols for vehicular networks,” *IEEE Trans. Veh. Technol.*, vol. 56, no. 5, pp. 3159–3167, Sep. 2007.
- [16] A. Civilis, “Prediction of crossroad passing using artificial neural networks,” in *Proc. Int. Baltic Conf. Databases Inf. Syst.*, Jul. 2006, pp. 229–234.
- [17] R. Wunderlich, C. Liu, I. Elhanany, and T. Urbanik, II, “A novel signal-scheduling algorithm with quality-of-service provisioning for an isolated intersection,” *IEEE Trans. Intell. Transp. Syst.*, vol. 9, no. 3, pp. 536–547, Sep. 2008.
- [18] H. Rakha, I. El-Shawarby, and J. R. Setti, “Characterizing driver behavior on signalized intersection approaches at the onset of a yellow-phase trigger,” *IEEE Trans. Intell. Transp. Syst.*, vol. 8, no. 4, pp. 630–640, Dec. 2007.
- [19] L. Li and F. Wang, “Cooperative driving at blind crossing using inter-vehicle communication,” *IEEE Trans. Veh. Technol.*, vol. 55, no. 6, pp. 1712–1724, Nov. 2006.
- [20] V. Milanés, J. E. Naranjo, C. González, J. Alonso, and T. de Pedro, “Autonomous vehicle based in cooperative GPS and inertial systems,” *Robotica*, vol. 26, no. 5, pp. 627–633, Sep. 2008.
- [21] M. Sugeno, H. Winston, I. Hirano, and S. Kotsu, “Intelligent control of an unmanned helicopter based on fuzzy logic,” in *Proc. Amer. Helicopter Soc., 51st Annu. Forum*, Houston, TX, May 1995, pp. 791–803.
- [22] P. Salgado and J. B. Cunha, “Greenhouse climate hierarchical fuzzy modeling,” *Control Eng. Pract.*, vol. 13, no. 5, pp. 613–628, May 2005.
- [23] R. García and T. de Pedro, “First application of the ORBEX coprocessor: Control of unmanned vehicles,” *Mathw. Soft Comput.*, vol. 2/3, no. 7, pp. 265–273, 2000.
- [24] E. H. Mamdani, “Application of fuzzy algorithms for control of a simple dynamic plant,” *Proc. Inst. Elect. Eng.*, vol. 121, no. 12, pp. 1585–1588, 1974.
- [25] T. Takagi and M. Sugeno, “Fuzzy identification of systems and its applications to modeling and control,” *IEEE Trans. Syst., Man, Cybern.*, vol. SMC-15, no. 1, pp. 116–132, Jan./Feb. 1985.