



HAL
open science

On validation of ATL transformation rules by transformation models

Fabian Buettner, Jordi Cabot, Martin Gogolla

► **To cite this version:**

Fabian Buettner, Jordi Cabot, Martin Gogolla. On validation of ATL transformation rules by transformation models. MoDeVVA Proceedings of the 8th International Workshop on Model-Driven Engineering, Verification and Validation, Oct 2011, Wellington, New Zealand. hal-00691062

HAL Id: hal-00691062

<https://inria.hal.science/hal-00691062>

Submitted on 25 Apr 2012

HAL is a multi-disciplinary open access archive for the deposit and dissemination of scientific research documents, whether they are published or not. The documents may come from teaching and research institutions in France or abroad, or from public or private research centers.

L'archive ouverte pluridisciplinaire **HAL**, est destinée au dépôt et à la diffusion de documents scientifiques de niveau recherche, publiés ou non, émanant des établissements d'enseignement et de recherche français ou étrangers, des laboratoires publics ou privés.

On Validation of ATL Transformation Rules By Transformation Models

Fabian Büttner
University of Bremen
Database Systems Group
Bremen, Germany
green@tzi.de

Jordi Cabot
École des Mines de Nantes
AtlanMod Research Team
Nantes, France
jordi.cabot@inria.fr

Martin Gogolla
University of Bremen
Database Systems Group
Bremen, Germany
gogolla@tzi.de

ABSTRACT

Model-to-model transformations constitute an important ingredient in model-driven engineering. As real world transformations are complex, systematic approaches are required to ensure their correctness. The ATLAS Transformation Language (ATL) is a mature transformation language which has been successfully applied in several areas. However, the executable nature of ATL is a barrier for the validation of transformations. In contrast, transformation models provide an integrated structural description of the source and target metamodels and the transformation between them. While not being executable, transformation models are well-suited for analysis and verification of transformation properties. In this paper, we discuss (a) how ATL transformations can be translated into equivalent transformation models and (b) illustrate how these surrogates can be employed to validate properties of the original transformation.

Categories and Subject Descriptors

D.2.4 [Software Engineering]: Software/Program Verification—Validation

General Terms

Languages, verification

Keywords

Validation of model transformations, ATL, transformation models

1. MOTIVATION

Model-driven engineering has been acknowledged as an effective way to tackle the complexity of software and systems engineering. Model-to-model (M2M) transformation is an important ingredient in model-driven settings. There exist several approaches to describe this kind of transformations, operational as well as declarative ones. While declarative approaches describe the relationship between the source and the target model, operational approaches describe the execution steps for the creation of the target model from the source model.

Permission to make digital or hard copies of all or part of this work for personal or classroom use is granted without fee provided that copies are not made or distributed for profit or commercial advantage and that copies bear this notice and the full citation on the first page. To copy otherwise, to republish, to post on servers or to redistribute to lists, requires prior specific permission and/or a fee.

Copyright 20XX ACM X-XXXXX-XX-X/XX/XX ...\$10.00.

Irrespectively of the formalism, real world transformations are complex. In order to provide reliable quality transformations, systematic approaches are required to ensure their correctness. To address this problem, several approaches have been developed in two categories: (a) formal verification and (b) validation of model transformations by means of systematic (bounded) testing. For both kinds, translations of model transformation languages into other formalisms such as rewriting logic, higher-order logic, and model consistency checking languages have been developed.

In [6, 17] we introduced the notion of a *transformation model* as a declarative and integrated way to specify M2M transformations. In short, a transformation model is a unified structural description of the source metamodel, the target metamodel, and the relationship between them that is established by a transformation. Unlike other declarative approaches to model transformations, transformation models do not introduce new formalisms, the ‘usual’ meta-modeling ingredients (MOF/Ecore/KM3 plus OCL constraints) are sufficient to describe the transformation model. In general, transformation models are not directly executable. However, due to their integrated structural character, they are well-suited to investigate several properties of model transformations.

The ATLAS Transformation Language (ATL) [20] is a mature M2M transformation language that is aligned with MOF QVT [25]. ATL has been applied in a several areas, [29] alone lists 103 different transformations in the ATL ‘transformation zoo’. However, the executable nature of ATL provides a barrier for the direct investigation of transformation properties.

In this paper, we propose an approach for the validation of ATL transformations by means of generated transformation models. An important contribution of our approach is that it provides an equivalent integrated representation of the precise syntax of the source and target models (i.e., including their OCL well-formedness constraints) and the execution semantics of the ATL transformation. Thus, while we still formulate the transformations using ATL first, we gain the benefits of an equivalent transformation model for validation purposes. Inherently, our approach provides an intuitive means to express the trace between the source and the target, making it accessible for investigation as well. It comprises two core elements:

1. A translation of ATL transformations into structural transformation models (employing OCL constraints to express the execution semantics of ATL). In this paper we provide a first approach towards a systematic translation. The development of a complete and universally valid translation scheme is ongoing work.
2. We show how to use the transformation model for validation purposes by employing UML validation and verification methods. In particular, we rely on approaches such as

[11], [1], and [18] to automatically validate the transformations. As an example, we investigate the important question whether a transformation may produce *invalid* target models from *valid* source models, as this indicates a weakness in the transformation that probably should be fixed. In general, several other properties of model transformations can be analyzed in a similar fashion.

The remaining paper is structured as follows: In Sect. 2 we provide a simple ATL model transformation ER2REL from an Entity-Relationship (ER) to a relational (REL) metamodel as an example to illustrate our approach. In Sect. 3 we explain how the ATL rules can be translated systematically into a transformation model. Section 4 shows how this transformation model can be exploited to validate ER2REL, identifying several bugs in ER2REL by bounded model consistency checking. Section 5 puts our approach in the context of related work. We conclude in Sect. 6 and explain further research objectives.

2. EXAMPLE

In this section we first introduce two simple metamodels ER and REL that we will act as source and target for a model transformation ER2REL. We chose these domains for our example because they have well-known semantics and concrete syntax, and can be formulated as metamodels small enough to fit in a short paper. However, as we will show later in Sect. 4, the transformation leaves room for several pitfalls.

2.1 ER and REL Metamodels

Both the ER and the REL metamodel can be described using metamodels such as MOF, Ecore, and KM3, following the usual metamodel architecture. Which concrete metamodel is chosen is not relevant for the subsequent.

Figure 1 shows the class diagrams for the metamodels. For the sake of simplicity we omitted attribute types and relationship multiplicities in our metamodels. Furthermore, we simply refer to the elements of a ER database schema as entities and relationships instead of entity types and relationship types (which would be important if we also dealt with instances of the database schemas).

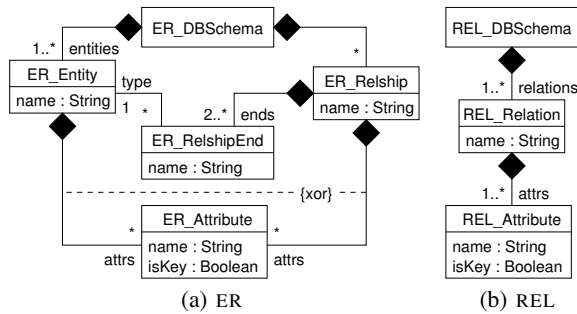


Figure 1: ER and REL metamodels

In addition to the class diagrams of ER and REL, OCL invariant constraints describe the well-formedness of both metamodels as shown in Listings 1 and 2. For ER, we require that entity names and relationship names are unique within a database schema (constraints ER_EN and ER_RN). Analogously, attribute names have to be unique within entities and relationships (ER_EAN and ER_RAN). Attributes of relationships are not allowed to have key attributes (ER_K), as the identity of a relationship instance should

be determined by the participating entity instances. For REL, we have only three constraints: Relation names have to be unique within a relational database schema (REL_RN), attribute names have to be unique within a relation (REL_RAN), and every relation has to have at least one key attribute (REL_K).

```

/* unique entity names */
context ER_DBSchema inv ER_EN:
  entities->forAll(e1,e2 | e1.name = e2.name
    implies e1=e2)

/* unique relship names */
context ER_DBSchema inv ER_RN:
  relships->forAll(r1,r2 | r1.name = r2.name
    implies r1=r2)

/* unique entity attribute names */
context ER_Entity inv ER_EAN:
  attrs->forAll(a1,a2 | a1.name = a2.name implies a1=a2)

/* unique relship attribute names */
context ER_Relship inv ER_RAN:
  attrs->forAll(a1,a2 | a1.name = a2.name implies a1=a2)

/* no key in relship */
context ER_Relship inv ER_K:
  attrs->forAll(a | a.isKey = false)

```

Listing 1: Constraints of ER

```

/* unique relation names */
context REL_DBSchema inv REL_RN:
  relations->forAll(r1,r2 |
  r1.name = r2.name implies r1=r2)

/* unique relation attribute names */
context REL_Relation inv REL_RAN:
  attrs->forAll(a1,a2 |
  a1.name = a2.name implies a1=a2)

/* no relation without a key */
context REL_Relation inv REL_K:
  attrs->select(a | a.isKey)->notEmpty

```

Listing 2: Constraints of REL

For the sake of readability, we will use concrete syntax to describe instances of ER and REL in the subsequent. Figure 2 shows an instance of ER on the left-hand side and an instance of REL on the right-hand side. The graphical notation for ER is as usual. For both data models, key attributes are depicted underlined.

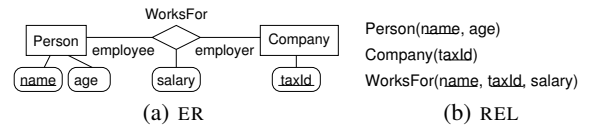


Figure 2: Example using concrete syntax

2.2 Transformation ER2REL

In Fig. 2, the REL model depicted is a valid refinement of the ER model. In fact, the REL model can be derived from the ER model. We can describe this transformation from ER to REL using ATL.

Listing 3 shows an example ER2REL of such an ATL transformation. The example uses some but not all of the ATL features. A complete description of the ATL language can be found in [20].

The ER2REL transformation definition is given in a module named ER2REL (first line) and transforms instances of the INput metamodel ER into instances of the OUTput metamodel REL (second line). The transformation consists of four rules S2S (schema to schema), E2R (entity to relation), R2R (relationship to relation), and A2A (attribute to attribute). ATL provides several kinds of rules, in our example we only use two of them: matched rules (S2S, E2R, and R2R) and lazy rules (A2A). These are the most commonly used kinds of ATL rules. Their semantics is as follows:

A matched rule is composed of a source pattern and a target pattern. The source pattern specifies a set of objects of the source metamodel and possibly guarding OCL expressions. The target pattern specifies a set of objects of the target metamodel plus a set of bindings. The bindings describe assignments to the features (attributes, references, association ends) of the target objects.

The semantics of matched rules is a two-step one: first, the source patterns of all guarded rules are matched against the input model. For every match, the objects of the target pattern are created. In the second step, the bindings for the target patterns are executed. In this step, a source-target resolution is applied: If the evaluation of a right-hand side expression of a binding evaluates to instances of one of the source metaclasses and if this instance has been mapped to an instance of a target metaclass by a matched rule in the first step, then the source instance value is replaced by the corresponding target instance value in the binding process. For example, rules E2R and R2R map ER entities and relationships to REL relations (please ignore their binding sections for now). Rule S2S maps ER database schemas to REL schemas. The binding section of this rule assigns the union of entities and relationships to the relations property of the REL schema. After evaluating $t. \text{entities} \rightarrow \text{union}(s. \text{relships})$ the ER_Entity and ER_Relationship values in the result set are replaced by the corresponding REL_Relation objects that have been created by rules E2R and R2R in step one.

Lazy rules such as rule A2A are treated differently. These rules are not applied automatically to all matches of their source patterns, they are applied explicitly. Rule A2A creates a REL attribute for an ER attribute (assigning the same name and isKey property to it). It is triggered in rules E2R and R2R using the thisModule extension of OCL: The binding `attrs <- s.attrs->collect(a | thisModule.A2A(a))` invokes A2A for each ER attribute of the entity `s`. Considering key ER attributes (having `isKey = true`), two REL attributes are created for each of them using A2A, one by rule E2R and one by rule R2R (the latter ones are the foreign key attributes).

Further concepts of ATL that are not used in this example include OCL helper operations, called and unique lazy rules, and imperative sections in the rules.

So far we have introduced the metamodels ER and REL and the transformation ER2REL. Applied to our example (Fig. 2), the transformation ER2REL will generate the (valid) REL instance from the (valid) ER instance. The interesting question is: will it derive a valid REL instance for every valid ER instance? Put in more technical terms: Will the transformation result $\sigma_{\text{REL}} = \text{ER2REL}(\sigma_{\text{ER}})$ fulfill all constrains of REL for every instance σ_{ER} of ER that fulfills all constraints of ER?

In the next section we discuss how this and other questions can be addressed by translating the executable transformation (described by ATL rules) into an equivalent structural transformation model.

3. TRANSLATING ER, REL AND ER2REL INTO A TRANSFORMATION MODEL

The general idea is to combine the syntax of the source and target models and the execution semantics of the ATL transformation into an integrated structural model – the transformation model. The transformation model $\text{TM}(\text{ER}, \text{REL}, \text{ER2REL})$ contains all metaclasses and constraints of ER, as well as all metaclasses and constraints of REL. In addition, it contains synthesized metaclasses and constraints for the rules of ER2REL. Figure 3 shows the complete transformation model $\text{TM}(\text{ER}, \text{REL}, \text{ER2REL})$, the metaclasses for ER2REL are depicted using thick lines.

An instance of the transformation model represents the application of the transformation, materializing the trace between the source and the target. Coming back to our initial example from Fig. 2 we have one application of the matched rule S2S, two applications of rule E2R, one application of rule R2R and five applications of rule A2A to create the target model from the source model. Figure 4 shows this transformation as an instance of the transformation metamodel. This instance of $\text{TM}(\text{ER}, \text{REL}, \text{ER2REL})$ corresponds exactly to the application of ER2REL to the instance of ER depicted on the left-hand side, with the target model being on the right-hand side.

However, the transformation model described so far will allow several instances σ_{TM} that do not correspond to a tuple $(\sigma_{\text{ER}}, \sigma_{\text{REL}})$ such that $\sigma_{\text{REL}} = \text{ER2REL}(\sigma_{\text{ER}})$. We require further constraints to make $\text{TM}(\text{ER}, \text{REL}, \text{ER2REL})$ equivalent to ER2REL. These constraints are shown in Listing 4. Summarized, the constraints should equivalently encode the semantics of the transformation ER2REL such that, given valid instances σ_{ER} and σ_{REL} ,

$$\begin{aligned} \sigma_{\text{REL}} &= \text{ER2REL}(\sigma_{\text{ER}}) \\ &\text{iff} \\ \exists \sigma_{\text{ER2REL}} : &\text{valid}_{\text{TM}(\text{ER}, \text{REL}, \text{ER2REL})}(\sigma_{\text{ER}}, \sigma_{\text{REL}}, \sigma_{\text{ER2REL}}). \end{aligned}$$

Thus, if σ_{REL} is the result of σ_{ER} then a corresponding instance of the transformation model (containing σ_{ER} and σ_{REL}) exists and vice versa. In this sense, $\text{TM}(\text{ER}, \text{REL}, \text{ER2REL})$ is equivalent to ER2REL.

The individual constraints are discussed in the following. For the three matched rules (S2S, E2R, R2R) we have one constraint (`_MATCH`) each to ensure that the rule is applied on every applicable object exactly once. There is no such constraint for the lazy rule A2A, as this rule might be applied several times on the same source object. Consequently, we might have none or more than one A2A objects referring to the same ER_Attribute object.

We also need constraints (`_CREATE`) to ensure that every target object is created by exactly one of our four rules. Notice that REL_Relation objects can result from either ER_Entity or ER_Relship objects, which is reflected in the ‘+’ operation of invariant `R_CREATE`.

Finally, we have one constraint (`_BIND`) for each binding `<-` that assigns a value to one of the properties of the target objects. In general, all ATL bindings `t.p <- expr` become equality constraints `t.p = expr`. However, in the creation of the `_BIND` constraints, the resolution mechanism of ATL has to be encoded, as well as the explicit invocation of lazy rules. If the source expression is a regular OCL expression (not containing invocations of lazy rules) and the expression type is a primitive type or a collection or tuple type of a primitive type, this translation is straightforward, replacing `<-` by `=`. For example, the first binding name `<- s.name` in rule E2R of ER2REL.atl becomes `t.name = s.name` in the invariant constraint `E2R_BIND_NAME`.

ATL’s implicit resolution for matched rules is replaced by explicit navigation from the source objects to the corresponding

```

module ER2REL;
create OUT : ER from IN : REL;

rule S2S { /* Schema to Schema */
from s : IN!ER_DBSchema
to t : OUT!REL_DBSchema ( relations <- s.entities->union(s.relshps) )}

rule E2R { /* Entity to Relation */
from s : IN!ER_Entity
to t : OUT!REL_Relation ( name <- s.name,
                           attrs <- s.attrs->collect(a|thisModule.A2A(a)) )}

rule R2R { /* Relationship to Relation */
from s : IN!ER_Relshp
to t : OUT!REL_Relation ( name <- s.name
                           attrs <- s.attrs->collect(a | thisModule.A2A(a))->union(
                               s.ends->collect(re | re.entity.attrs->flatten())
                               ->select(a|a.isKey)->collect(a|thisModule.A2A(a))) )}

lazy rule A2A { /* Attribute to Attribute */
from s : IN!ER_Attribute
to t : OUT!REL_Attribute ( name <- s.name, isKey <- s.isKey )}

```

Listing 3: ER2REL.atl

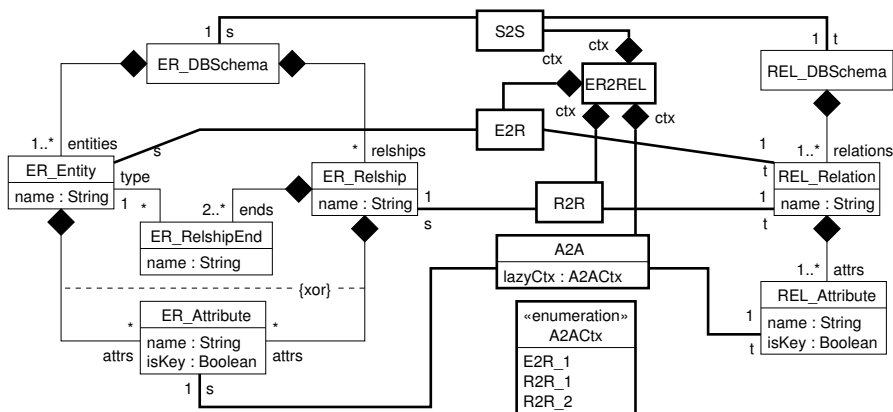


Figure 3: Transformation metamodel

target objects. This is achieved by navigating over the meta-classes that correspond to the applicable matched rules. For example, in rule S2S, the OCL expression `s.entities` is replaced by `s.entities->collect(e | e.e2r->any(r | r.ctx = self.ctx).t)` in the invariant `S2S_BIND_NAME` to identify the target object that is created for respective source object in the context of the current transformation. Notice that the `->any` expression is deterministic here, because there is always exactly one such E2R object in a valid instance of the transformation model due to the `E2R_MATCH` constraint.

For the explicit application of lazy rules by `thisModule`, the context of the application has to be considered when translating the binding into a constraint. This is required to uniquely identify the corresponding rule application object. Consider the bottom of Fig. 4: the ER attribute for `taxId` is mapped onto two REL attributes by the lazy rule A2A. However, they were created in different contexts (rule E2R resp. rule R2R). Therefore, a corresponding enumeration `A2ACTx` is included in the transformation model to capture the creation context for the lazy rule A2A. Consequently, the source expression `s.attrs->collect(a | thisModule.A2A(a))` in rule E2R has to be replaced by `a.a2a->any(r | r.ctx = self.ctx`

and `r.lazyCtx = #E2R_1).t` in the invariant constraint `RB_I2`, while the same source expression occurring in rule R2R has to be replaced by `a.a2a->any(r | r.ctx = self.ctx and r.lazyCtx = #R2R_1).t`. The trailing number in the enumeration literals indicate the position of the application within the respective rule. In our example, the literal `#R2R_1` identifies a mapping from attributes of a relationship to relation attributes, while `#R2R_2` identifies a mapping for the foreign key attributes of a relationship.

Figure 5 summarizes the applied translation scheme, using the abstractions `LCTX(r)` do determine the context class for a lazy rule and `RESOLVE[expr]` to translate the resolution process of ATL as described above.

Please notice that the translation scheme introduced in this paper is not yet universally valid. In general, several other aspects have to be considered, such as overlapping patterns of matched rules and more generalized invocations of lazy rules, to name a few. In future work, we are going to provide a complete translation scheme.

However, for the concrete example ER2REL we have given an equivalent transformation model. In the next section we illustrate how the transformation model can be used to validate the model transformation.

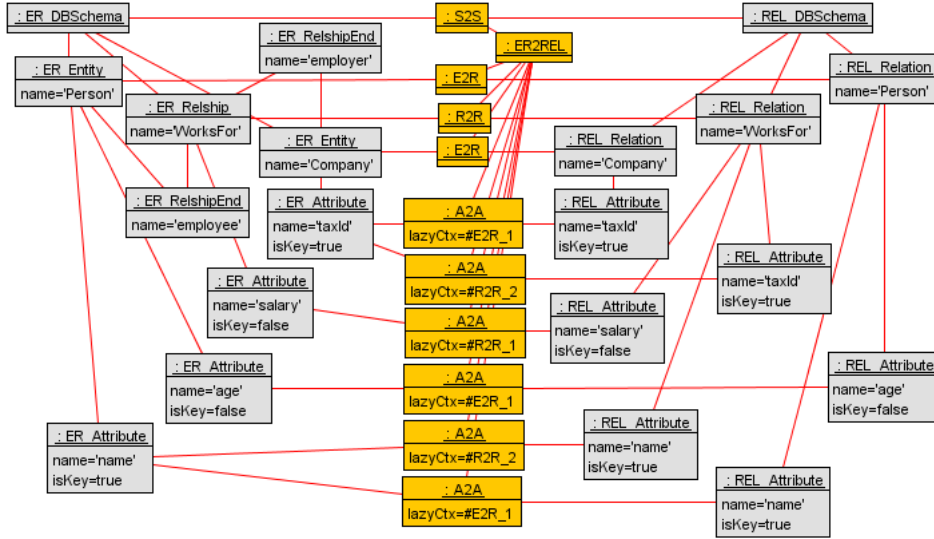


Figure 4: Example as a transformation metamodel instance

4. USING THE TRANSFORMATION MODEL FOR VALIDATION

Due to its integrated structural nature, a transformation model is well-suited for analysis. As one example of how the transformation model can be used for the validation and analysis of a transformation, we will investigate the totality [10] of ER2REL: Is there a valid model of ER that is transformed into an invalid model of REL by the transformation ER2REL? In the sense of the transformation quality, the existence of such a model would be a strong counter argument against transformation correctness.

The question can be easily investigated using the transformation model: We have to look for an instance σ_{TM} of TM such that σ_{TM} conforms to the constraints of ER (ER_EN, ..., ER_K) and to the constraints that correspond to ER2REL (S2S_MATCH, dots, A2A_BIND), but *not* to all constraints of REL (REL_RN, REL_AN, REL_K).

Bounded verifiers for OCL-annotated UML models such as UML-toCSP [11], the USE generator [18], and UML to Alloy translations [1] can be used to automatically find such instances.

Notice that if we find a violating instance, no backwards translation of any kind is required to obtain the corresponding source and target models. We only have to omit all elements that do not belong to the source resp. target metamodel.

4.1 Detecting Identical Names for Relations

We investigate the three constraints REL_RN, REL_AN, and REL_K of REL separately. To find a violation of the first constraint, we are looking for σ_{TM} such that

$$ER_EN(\sigma_{TM}) \wedge \dots \wedge ER_K(\sigma_{TM}) \wedge \\ S2S_MATCH(\sigma_{TM}) \wedge \dots \wedge A2A_CREATE(\sigma_{TM}) \wedge \\ \neg REL_RN(\sigma_{TM})$$

The negated version of REL_RN is:

```
REL_DBSchema.allInstances()->exists(self |
  not self.relations->forall(r1,r2| r1.name =
    r2.name implies r1=r2))
```

We use the search bounds depicted in Table 1 in the search for σ_{TM} . Even in this small search space, instances of TM(ER, REL, ER2REL) that are well-formed w.r.t. all constraints

Modeling concept	Search bound
Number of instances per class	0 ... 5
Links per association	Any subset of the cartesian product of the corresponding class extents
Values for String-typed attributes	'A', ..., 'Z'

Table 1: Search bounds

except REL_RN can be found. Figure 6 shows one of them using the concrete syntax of ER and REL. We can see that the relationship and one entity share the same name (A) on the source side, which is allowed by ER. The transformation creates two relations sharing the same name, which is not allowed by REL, or more specifically, by REL_RN. We can think of three options to fix this problem:

1. Disallow entities and relationships sharing names in ER (ie., fix the ER metamodel).
2. Qualify the generated relation names (ie., fix the ATL transformation ER2REL).
3. Disallow entities and relationships sharing names in the transformation (ie., fix ER2REL such that it raises an error if this condition is detected).

4.2 Detecting Identical Attribute Names

Secondly, we are checking for a violation of the constraint REL_AN of REL. This time we have to find a state σ_{TM} that fulfills the following condition:

$$ER_EN(\sigma_{TM}) \wedge \dots \wedge ER_K(\sigma_{TM}) \wedge \\ RA_I1(\sigma_{TM}) \wedge \dots \wedge RC_I2(\sigma_{TM}) \wedge \\ \neg REL_AN(\sigma_{TM}).$$

The negated version of REL_AN is

```
REL_Relation.allInstances()->exists(self |
  not self.attrs->forall(a1,a2| a1.name = a2.name
    implies a1=a2))
```

```

context ER2REL inv S2S_MATCH:
  ER_DBSchema.allInstances()->forall(s |
    s.s2s->select(r | r.ctx = self)->size() = 1 )

context ER2REL inv E2R_MATCH:
  ER_Entity.allInstances()->forall(x |
    x.e2r->select(r | r.ctx = self)->size() = 1 )

context ER2REL inv R2R_MATCH:
  ER_Relship.allInstances()->forall(x |
    x.r2r->select(r | r.ctx = self)->size() = 1 )

context ER2REL inv S_CREATE:
  REL_DBSchema.allInstances()->forall(s |
    s.s2s->select(r | r.ctx = self)->size() = 1 )

context ER2REL inv R_CREATE:
  REL_Relation.allInstances()->forall(x |
    x.e2r->select(r | r.ctx = self)->size() +
    x.r2r->select(r | r.ctx = self)->size() = 1 )

context ER2REL inv A_CREATE:
  REL_Attribute.allInstances()->forall(x |
    x.a2a->select(r | r.ctx = self)->size() = 1 )

context S2S inv S2S_BIND_RELS:
  t.relationships =
  s.entities->collect(e|e.e2r->any(r|
    r.ctx = self.ctx).t)->union(
  s.relships->collect(e|e.r2r->any(r|
    r.ctx = self.ctx).t))->asSet

context E2R inv E2R_BIND_NAME: t.name = s.name

context E2R inv E2R_BIND_ATTRS: t.attrs =
  s.attrs->collect(a | a.a2a->any(r |
    r.ctx = self.ctx and r.lazyCtx = #E2R_1).t)->asSet

context R2R inv R2R_BIND_NAME: t.name = s.name

context R2R inv R2R_BIND_ATTRS: t.attrs =
  s.attrs->collect(a |
  a.a2a->any(r|r.ctx = self.ctx and
  r.lazyCtx = #R2R_1).t)->asSet
->union(
  s.ends.entity.attrs->select(a|a.isKey)
->collect( a | a.a2a->any(r|
  r.ctx = self.ctx and
  r.lazyCtx = #R2R_2).t)->asSet )

context A2A inv A2A_BIND_NAME: t.name = s.name

context A2A inv A2A_BIND_ISKEY: t.isKey = s.isKey

```

Listing 4: Additional constraints for TM

We can find such instances σ_{TM} using the same search bounds as for REL_RN. Figure 7 shows one example. For relationship C, both participating entities have the same key attribute names. Therefore, the corresponding relation C has two attributes with the same name, which is not valid in REL. This is (obviously) a bug in ER2REL. It has to be fixed, for example, by qualifying the foreign key attributes by the role name (in this case: V_U, W_U).

4.3 Detecting Missing Keys

Finally, a state σ_{TM} violating (only) invariant REL_K can be found in the search bounds, too. Figure 8 shows an example. In this case, the problem is that one of the entities does not have a key attribute. Using our simple version of ER2REL, this results in an inadequate translation for B and C. This is inadequate for B because two distinct instances of the entity type B sharing the same attribute values could not be distinguished in relation B. Furthermore, B is not referenced in relation C. A reasonable fix for ER2REL would be to generate an artificial identifier attribute in the relation for every

module <i>m</i>	<pre> graph TD m["{new} m"] r["{new} r"] C["1 s C"] D["1 t D"] m --- ctx r r --- s C r --- t D style C fill:none,stroke:none style D fill:none,stroke:none </pre>
module <i>m</i> \vdots rule <i>r</i> { from <i>s</i> : <i>C</i> to <i>t</i> : <i>D</i> (...) \vdots	<pre> graph TD m["{new} m"] r["{new} r"] C["1 s C"] D["1 t D"] m --- ctx r r --- s C r --- t D style C fill:none,stroke:none style D fill:none,stroke:none </pre> <p>context <i>m</i> inv: /* _MATCH */ <i>C</i>.allInstances()->forall(x x.r->select(r r.ctx = self.ctx)->size() = 1</p>
module <i>m</i> \vdots lazy rule <i>r</i> { from <i>s</i> : <i>C</i> to <i>t</i> : <i>D</i> (...) \vdots	<pre> graph TD m["{new} m"] r["{new} r"] C["1 s C"] D["1 t D"] m --- ctx r r --- s C r --- t D style C fill:none,stroke:none style D fill:none,stroke:none </pre> <p>context <i>m</i> inv: /* _CREATE */ <i>D</i>.allInstances()->forall(x x.r₁->select(r r.ctx = self.ctx)->size() + ... + <i>D</i>.allInstances()->forall(x x.r_n->select(r r.ctx = self.ctx)->size() = 1</p>
\vdots [lazy] rule <i>r</i> ₁ { from <i>s</i> : <i>C</i> to <i>t</i> : <i>D</i> (...) \vdots [lazy] rule <i>r</i> _{<i>n</i>} { from <i>s</i> : <i>C</i> to <i>t</i> : <i>D</i> (...) \vdots	<p>context <i>m</i> inv: /* _CREATE */ <i>D</i>.allInstances()->forall(x x.r₁->select(r r.ctx = self.ctx)->size() + ... + <i>D</i>.allInstances()->forall(x x.r_{<i>n</i>}->select(r r.ctx = self.ctx)->size() = 1</p>
[lazy] rule <i>r</i> { from <i>s</i> : <i>C</i> to <i>t</i> : <i>D</i> (..., <i>t.p</i> <- <i>expr</i> (<i>s</i>), ...)	<p>context <i>r</i> inv: /* _BIND */ <i>s.p</i> = RESOLVE[[<i>expr</i>]]</p>

Figure 5: Translation rules (to be completed)

entity without key attributes.

4.4 Further Validations / Verifications

In the preceding we stressed the validation of the totality of ER2REL. However, this is only a first example, several other questions regarding ER2REL can be addressed using TM(ER,REL,ER2REL) in a similar way.

Further formal properties of the transformation can be validated (or verified) by adding further OCL constraints to the transformation model. [10] provides an extensive list of such properties, for example, if the transformation is exhaustive, or bijective.

We also see several useful applications of transformation models in interactive environments, guiding the transformation developer. For example, even if the original transformation is one-way, we can use the transformation model (in conjunction with a bounded model consistency checker) to search for source models that are transformed into a provided target model. This can be useful in reverse engineering scenarios: Given a hand-crafted relational database schema, from which ER models could it be derived?

An important aspect is that transformation models provide a uni-

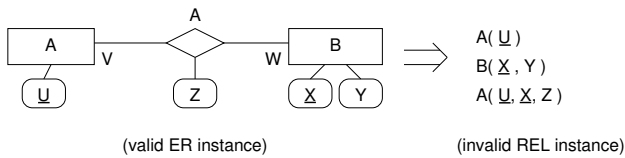


Figure 6: Invalid Transformation – Violation of REL_RN

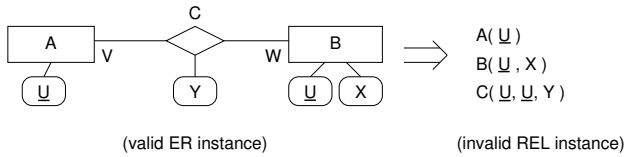


Figure 7: Invalid Transformation – Violation of REL_AN

fied approach to analyze transformations in different formalisms. With respect to the validation of properties such as totality, the original formalism is not important. In MDE environments that use more than one formalism, this provides a way to tackle the transformation system as a whole (for example, ATL plus QVT Relations, using the transformation model extraction from [10]). In such multi-formalism environments, transformation models can particularly be used to show equivalence of two transformations.

5. RELATED WORK

There are several kinds of contributions that can be related to our work. Our work closely relates to [10] and [19]. Both approaches express model transformations by transformation models, employing OCL constraints.

The proposal in [10] derives transformation models from QVT Relations and triple graph grammars in a similar way as we do for ATL transformations to verify several formal transformation properties. Our proposal can be seen as an extension of this approach to ATL. [19] shows how to use a transformation model in the testing of ATL model transformations. However, while our transformation model is an equivalent (derived) representation of the underlying model transformation, the transformation model in [19] is used to express specific transformation contracts, similar to [13, 4, 12]. In this sense, our proposal can be seen as a white-box approach to validation and verification, whereas transformation contracts are a black-box approach.

The work in [17] discusses the various relationships between the ER and relational syntax and semantics as one integrated transformation model which, however, is hand-crafted and not derived from any underlying transformation in another formalism.

Further white-box approaches to the validation and verification of M2M transformations include the works of [28] and [7] who translate ATL rules into rewriting logic to analyze and validate model transformation, [14, 3, 21, 2] who prove formal properties such as confluence and termination for graph grammar based

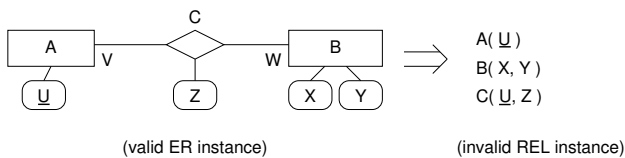


Figure 8: Invalid Transformation – Violation of REL_K

model transformations, and [23] who introduce a transformation model checker to build a state space for the transformation language DSLTrans.

Further black-box approaches comprise the generation of suitable test cases [27, 8, 15] and the use of transformation pre- and postconditions for the validation of model transformations [24, 16].

As far as we know, our approach is the first one that systematically integrates the precise syntax of the source and target metamodels and the execution semantics of ATL in an transformation model which is equivalent to the underlying transformation. In the context of target model consistency, our approach addresses the systematic barrier of test case generation as described in [5].

6. CONCLUSION AND FUTURE WORK

This paper discussed two questions. First, we explained how ATL transformation rules can be translated into an equivalent transformation model. Thus we translated the executable description into an equivalent structural one. The result is an integrated model containing the precise syntax of the source and target metamodels as well as the precise semantics of the model transformation.

Second, we have shown how the transformation model can be used to analyze the original transformation. We discussed how model consistency checking tools can be employed to investigate the transformation model. For our example ER2REL, we validated whether the transformation is total by systematically checking for violations of the target metamodel constraints. We could find three shortcomings of the ATL transformation. As for all model checking approaches, the search bounds limit our approach: If we can find a valid source model that is transformed into an invalid target model, we know that there is a flaw in the ATL rules considered. If we cannot find such a source model it only means that no such model exists within the search bounds. It may exist outside the search bounds. Tools for the formal verification of OCL-annotated UML models such as [9, 22, 26] could be employed to overcome this restriction. In general these approaches still require interaction with the modeler and a strong understanding of the underlying proof formalism (e.g., Isabelle HOL), although [26] promises automated reasoning for a rich subset of OCL.

We want to stress that there is complementary relationship between the executable model transformation and the corresponding transformation model. While the executable definition (in this case: in ATL) provides an effective and usually efficient way to describe the transformation, it is not accessible for analysis. In contrast, transformation models are not directly executable. Given a source model, the corresponding target model could be found by a model consistency checker, but this certainly is not an efficient approach. But transformation models provide a representation that is very accessible for analysis, as illustrated in this paper. Furthermore, the interpretation of a transformation model is very intuitive as it materializes the trace between the source and target model elements.

Our next research objectives are: (1) Provide a systematic translation of ATL transformations into transformation models that is as complete as possible, but excluding the imperative extensions of ATL. (2) Elaborate how further transformation properties can be analyzed using transformation models. In particular, we are interested in multi-formalisms settings, where we consider transformation models to be a unifying approach.

7. REFERENCES

- [1] K. Anastakis, B. Bordbar, G. Georg, and I. Ray. On challenges of model transformation from UML to Alloy. *Software and System Modeling*, 9(1), 2010.

- [2] M. Asztalos, L. Lengyel, and T. Levendovszky. Towards automated, formal verification of model transformations. In *Software Testing, Verification and Validation, 3rd International Conference, ICST 2010, Proceedings*, 2010.
- [3] L. Baresi, K. Ehrig, and R. Heckel. Verification of model transformations: A case study with bpel. In *Proc. of the 2nd Symposium on Trustworthy Global Computing, TGC'06*, 2006.
- [4] B. Baudry, T. Dinh-Trong, J.-M. Mottu, D. Simmonds, R. France, S. Ghosh, F. Fleurey, and Y. Le Traon. Model transformation testing challenges. In *ECMDA workshop on Integration of Model Driven Development and Model Driven Testing*, 2006.
- [5] B. Baudry, S. Ghosh, F. Fleurey, R. B. France, Y. L. Traon, and J.-M. Mottu. Barriers to systematic model transformation testing. *Commun. ACM*, 53(6), 2010.
- [6] J. Bézivin, F. Büttner, M. Gogolla, F. Jouault, I. Kurtev, and A. Lindow. Model Transformations? Transformation Models! In O. Nierstrasz, J. Whittle, D. Harel, and G. Reggio, editors, *Model Driven Engineering Languages and Systems, 9th International Conference, MoDELS 2006, Proceedings*, volume 4199 of LNCS. Springer, 2006.
- [7] A. Boronat, R. Heckel, and J. Meseguer. Rewriting logic semantics and verification of model transformations. In M. Chechik and M. Wirsing, editors, *Conceptual Modeling, 29th International Conference, ER 2010, Proceedings*, volume 5503 of LNCS. Springer, 2009.
- [8] E. Brottier, F. Fleurey, J. Steel, B. Baudry, and Y. L. Traon. Metamodel-based test generation for model transformations: an algorithm and a tool. In *17th International Symposium on Software Reliability Engineering, ISSRE 2006, Proceedings*. IEEE Computer Society, 2006.
- [9] A. D. Brucker and B. Wolff. HOL-OCL: A Formal Proof Environment for UML/OCL. In J. L. Fiadeiro and P. Inverardi, editors, *Fundamental Approaches to Software Engineering, 11th International Conference, FASE 2008, Proceedings*, volume 4961 of LNCS. Springer, 2008.
- [10] J. Cabot, R. Clarisó, E. Guerra, and J. de Lara. Verification and validation of declarative model-to-model transformations through invariants. *Journal of Systems and Software*, 83(2), 2010.
- [11] J. Cabot, R. Clarisó, and D. Riera. UMLtoCSP: a tool for the formal verification of UML/OCL models using constraint programming. In R. E. K. Stirewalt, A. Egyed, and B. F. 0002, editors, *Automated Software Engineering, 22nd IEEE/ACM International Conference, ASE 2007, Proceedings*. ACM, 2007.
- [12] E. Cariou, N. Belloir, F. Barbier, and N. Djemam. Ocl contracts for the verification of model transformations. *ECEASST*, 24, 2009.
- [13] E. Cariou, R. Marvie, L. Seinturier, and L. Duchien. Ocl for the specification of model transformation contracts. In *Proceedings of Workshop OCL and Model Driven Engineering*, 2004.
- [14] H. Ehrig, K. Ehrig, J. de Lara, G. Taentzer, D. Varró, and S. Varró-Gyapay. Termination criteria for model transformation. In M. Cerioli, editor, *Fundamental Approaches to Software Engineering, 8th International Conference, FASE 2005, Proceedings*, volume 3442 of LNCS. Springer, 2005.
- [15] K. Ehrig, J. Küster, and G. Taentzer. Generating instance models from meta models. *Software and Systems Modeling*, 8, 2009. 10.1007/s10270-008-0095-y.
- [16] C. Fiorentini, A. Momigliano, M. Ornaghi, and I. Poernomo. A constructive approach to testing model transformations. In L. Tratt and M. Gogolla, editors, *Theory and Practice of Model Transformations, ICMT 2010, Proceedings*, volume 6142 of LNCS. Springer, 2010.
- [17] M. Gogolla. Tales of ER and RE Syntax and Semantics. In J. R. Cordy, R. Lämmel, and A. Winter, editors, *Transformation Techniques in Software Engineering*. IBFI, Schloss Dagstuhl, Germany, 2005. Dagstuhl Seminar Proceedings 05161. 51 pages.
- [18] M. Gogolla, J. Bohling, and M. Richters. Validating UML and OCL models in USE by automatic snapshot generation. *Software and System Modeling*, 4(4), 2005.
- [19] M. Gogolla and A. Vallecillo. tractable model transformation testing. In R. B. France, J. M. Küster, B. Bordbar, and R. F. Paige, editors, *Modelling Foundations and Applications, 7th European Conference, ECMFA 2011, Proceedings*, volume 6698 of LNCS. Springer, 2011.
- [20] F. Jouault, F. Allilaire, J. Bézivin, and I. Kurtev. ATL: A model transformation tool. *Sci. Comput. Program.*, 72(1-2), 2008.
- [21] J. M. Küster. Definition and validation of model transformations. *Software and System Modeling*, 2004.
- [22] M. Kyas, H. Fecher, F. S. de Boer, J. Jacob, J. Hooman, M. van der Zwaag, T. Arons, and H. Kugler. Formalizing uml models and ocl constraints in pvs. *Electr. Notes Theor. Comput. Sci.*, 115, 2005.
- [23] L. Lucio, B. Barroca, and V. Amaral. A technique for automatic validation of model transformations. In D. C. Petriu, N. Rouquette, and Ø. Haugen, editors, *Model Driven Engineering Languages and Systems, 13th International Conference, MODELS 2010, Proceedings, Part I*, volume 6394 of LNCS. Springer, 2010.
- [24] J.-M. Mottu, B. Baudry, and Y. L. Traon. Reusable mda components: A testing-for-trust approach. In O. Nierstrasz, J. Whittle, D. Harel, and G. Reggio, editors, *Model Driven Engineering Languages and Systems, 9th International Conference, MoDELS 2006, Proceedings*, volume 4199 of LNCS. Springer, 2006.
- [25] OMG. *Meta Object Facility (MOF) 2.0 Query/Views/Transformation Specification (Document formal/08-04-03)*. Object Management Group, Inc., Framingham, Mass., Internet: <http://www.omg.org>, 2008.
- [26] A. Queralt, G. Rull, E. Teniente, C. Farré, and T. Urpí. AuRUS: Automated Reasoning on UML/OCL Schemas. In J. Parsons, M. Saeki, P. Shoval, C. C. Woo, and Y. Wand, editors, *Conceptual Modeling, 29th International Conference, ER 2010, Proceedings*, volume 6412 of LNCS. Springer, 2010.
- [27] S. Sen, B. Baudry, and J.-M. Mottu. Automatic model generation strategies for model transformation testing. In R. F. Paige, editor, *Theory and Practice of Model Transformations, ICMT 2009, Proceedings*, volume 5563 of LNCS. Springer, 2009.
- [28] J. Troya and A. Vallecillo. Towards a rewriting logic semantics for ATL. In L. Tratt and M. Gogolla, editors, *Theory and Practice of Model Transformations, ICMT 2010, Proceedings*, volume 6142 of LNCS. Springer, 2010.
- [29] List of ATL transformations on the eclipse ATL site. <http://www.eclipse.org/m2m/atl/atlTransformations/>, visited 08.07.2011, 2011.